



LEAN-TO

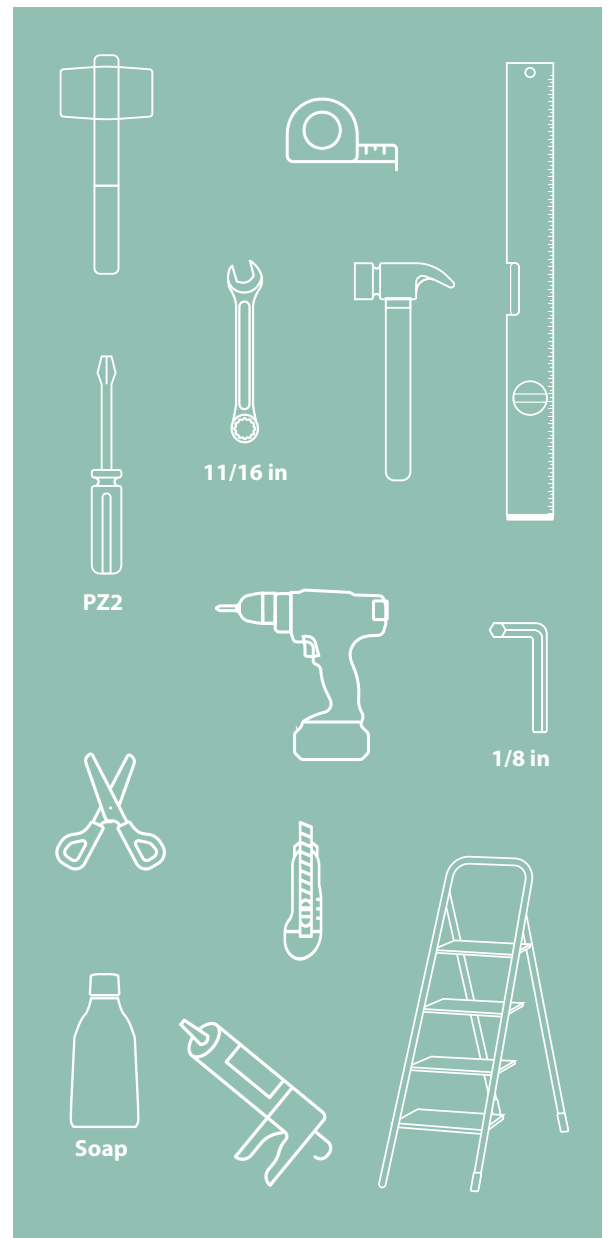
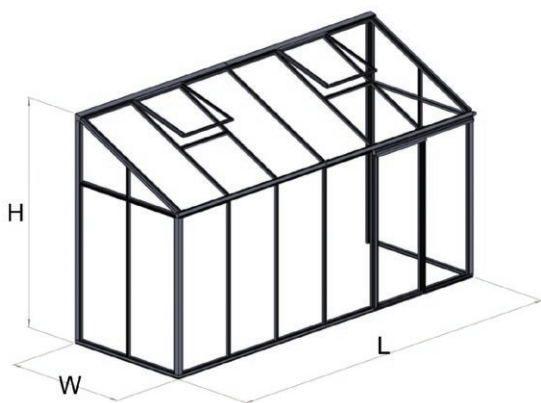


ASSEMBLY INSTRUCTIONS

Important: Read the entire instruction before starting the assembly. Strictly follow all the instructions provided in this manual and carry out all of the stages of the installation process in the specified order. Failure to comply with these rules may lead to incorrect fitting of the decorative laths and the occurrence of visual defects. The warranty certificate is void if it is found that damage has been caused by incorrect installation. The base on which the product is to be installed must be flat and without significant differences in level. The product must be attached to the base. Note: Use lube for all screws to prevent them from breaking. Make sure that the greenhouse pallet cannot tip over and cause accidents. Make sure that the ground where you put the pallet is in level. Installing two ground spikes to the pallet will prevent it from tipping. Do not remove all the wooden rules inside the pallet. Only remove the ones that are necessary to access the part you need.

Installation requires at least 2 people.

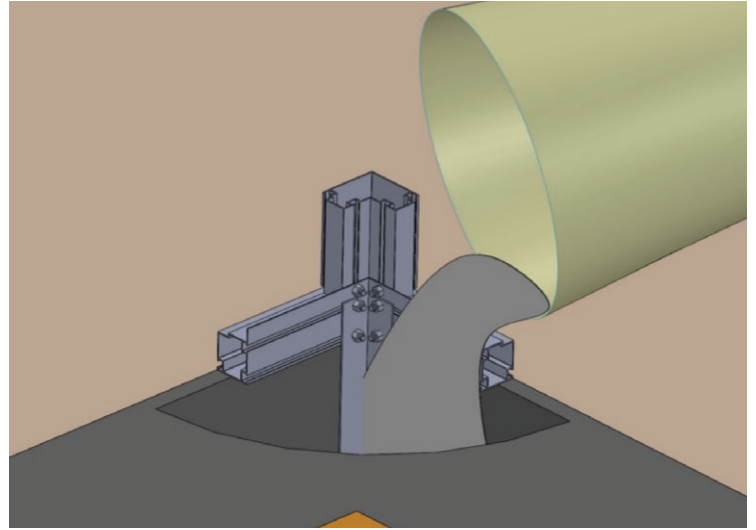
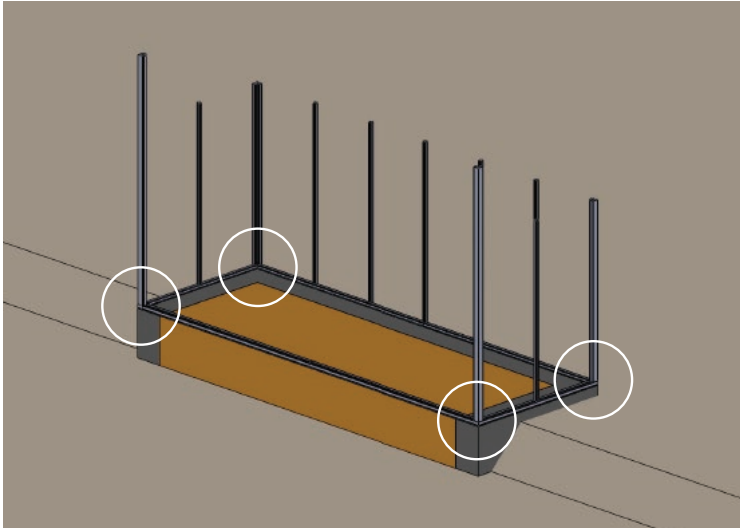
NECESSARY TOOLS – rubber mallet, measuring tape, spirit level, PZ2 screwdriver, wrenches 3/8 in, 1/2 in, and 11/16 in, cordless drill, 1/8 in hex key, utility knife, soap for rubber when oil is not enough, silicone gun and silicone, ladder.



Depth (in)	L (in)	H (in)	Door / Side height (in)	Area (ft ²)	Roof windows
63.19"	92.60"	99.09"	65.71"	39.83 ft ²	1
	121.97"	99.09"	65.71"	53.50 ft ²	1
	151.34"	99.09"	65.71"	66.41 ft ²	1
	180.71"	99.09"	65.71"	79.33 ft ²	2
	210.08"	99.09"	65.71"	92.14 ft ²	2
	239.45"	99.09"	65.71"	105.06 ft ²	2
72.83"	92.60"	105.79"	92.52"	40.58 ft ²	1
	121.97"	105.79"	92.52"	53.50 ft ²	1
	151.34"	105.79"	92.52"	66.41 ft ²	1
	180.71"	105.79"	92.52"	79.33 ft ²	2
	210.08"	105.79"	92.52"	92.14 ft ²	2
	240.16"	105.79"	92.52"	105.06 ft ²	2
92.52"	92.60"	119.45"	72.44"	59.52 ft ²	2
	121.97"	119.45"	72.44"	78.36 ft ²	2
	151.34"	119.45"	72.44"	97.20 ft ²	2
	180.71"	119.45"	72.44"	116.14 ft ²	2
	210.08"	119.45"	72.44"	134.98 ft ²	2
	240.16"	119.45"	72.44"	154.35 ft ²	2

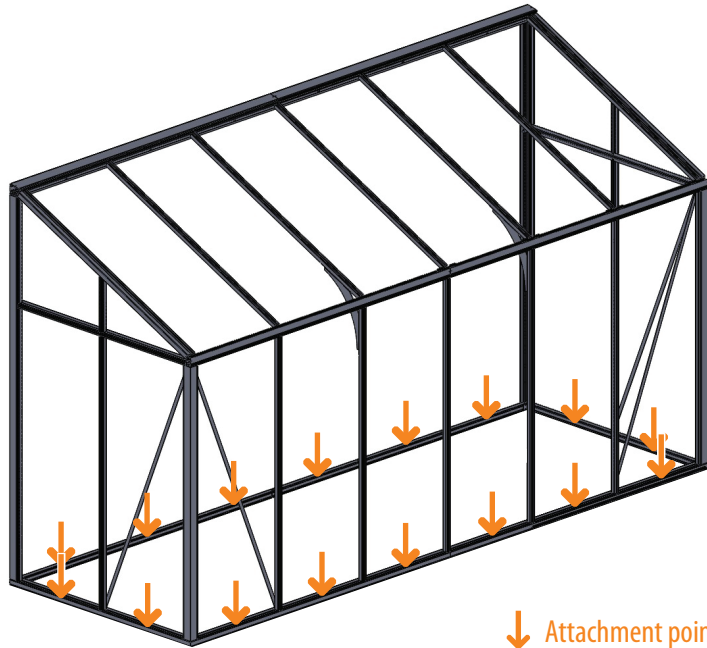
FOUNDATION PLAN

4 corners are concreted, the base profile placed on a solid foundation



IF CORNER REINFORCEMENTS ARE NOT USED

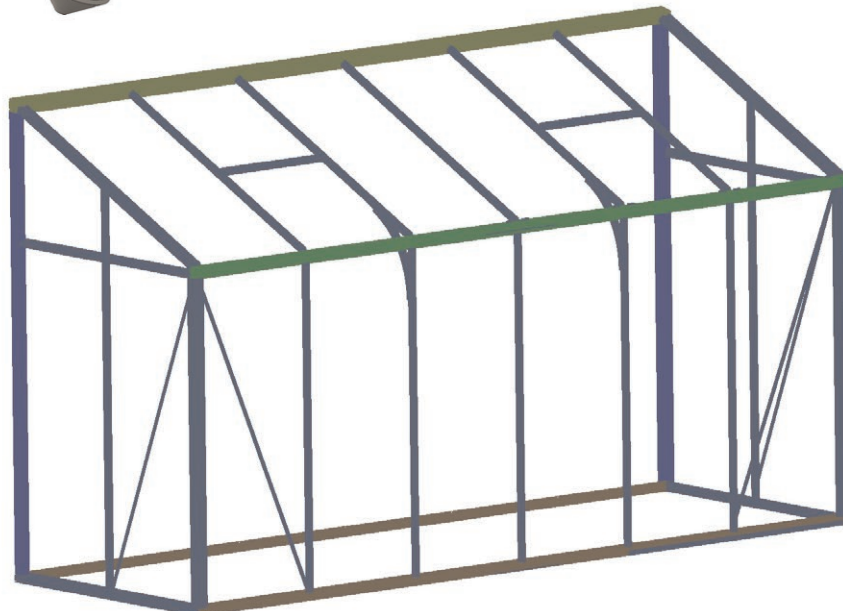
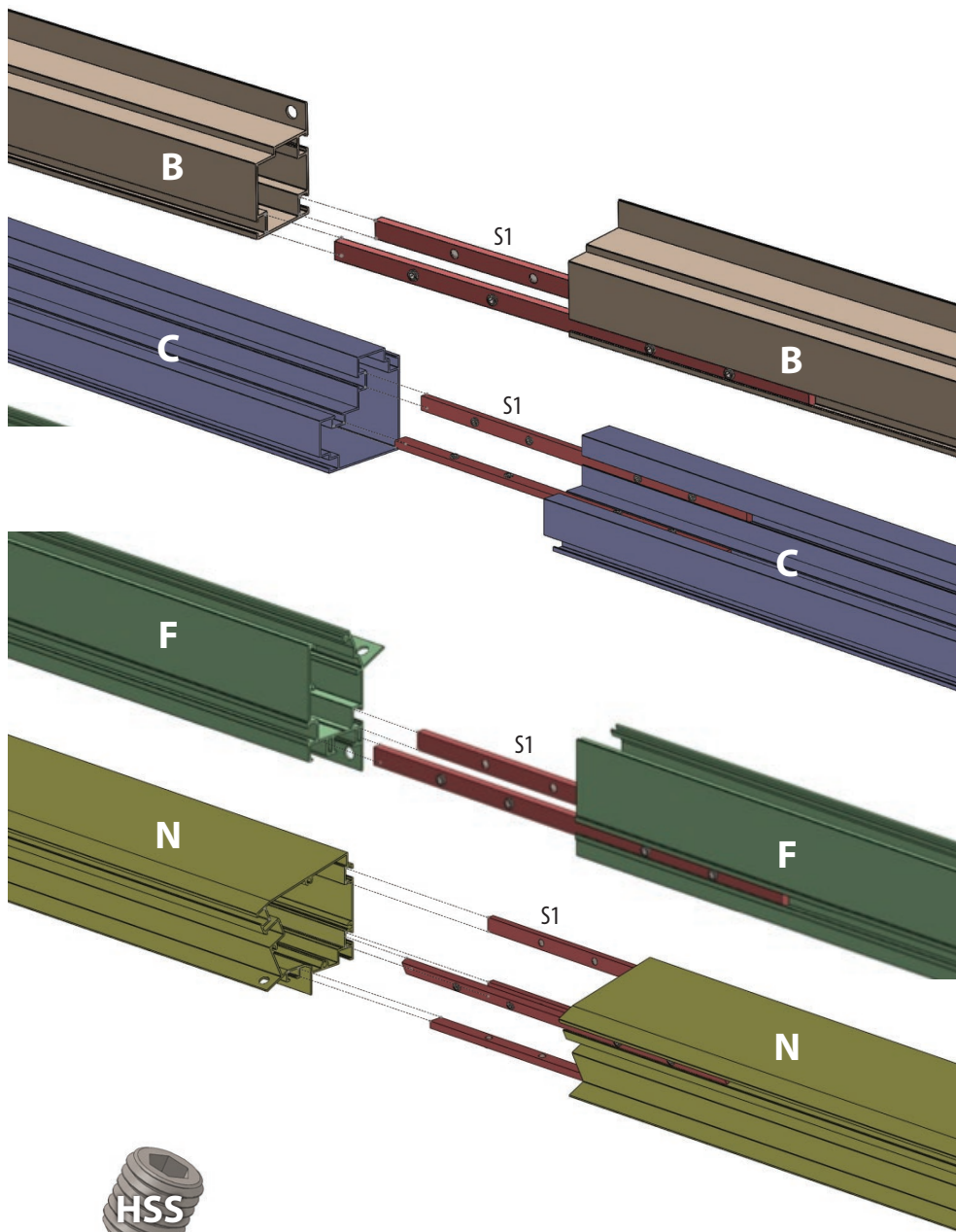
1. Drill holes in profile
2. Secure base with dowel and screw
3. Use plastic covers for holes

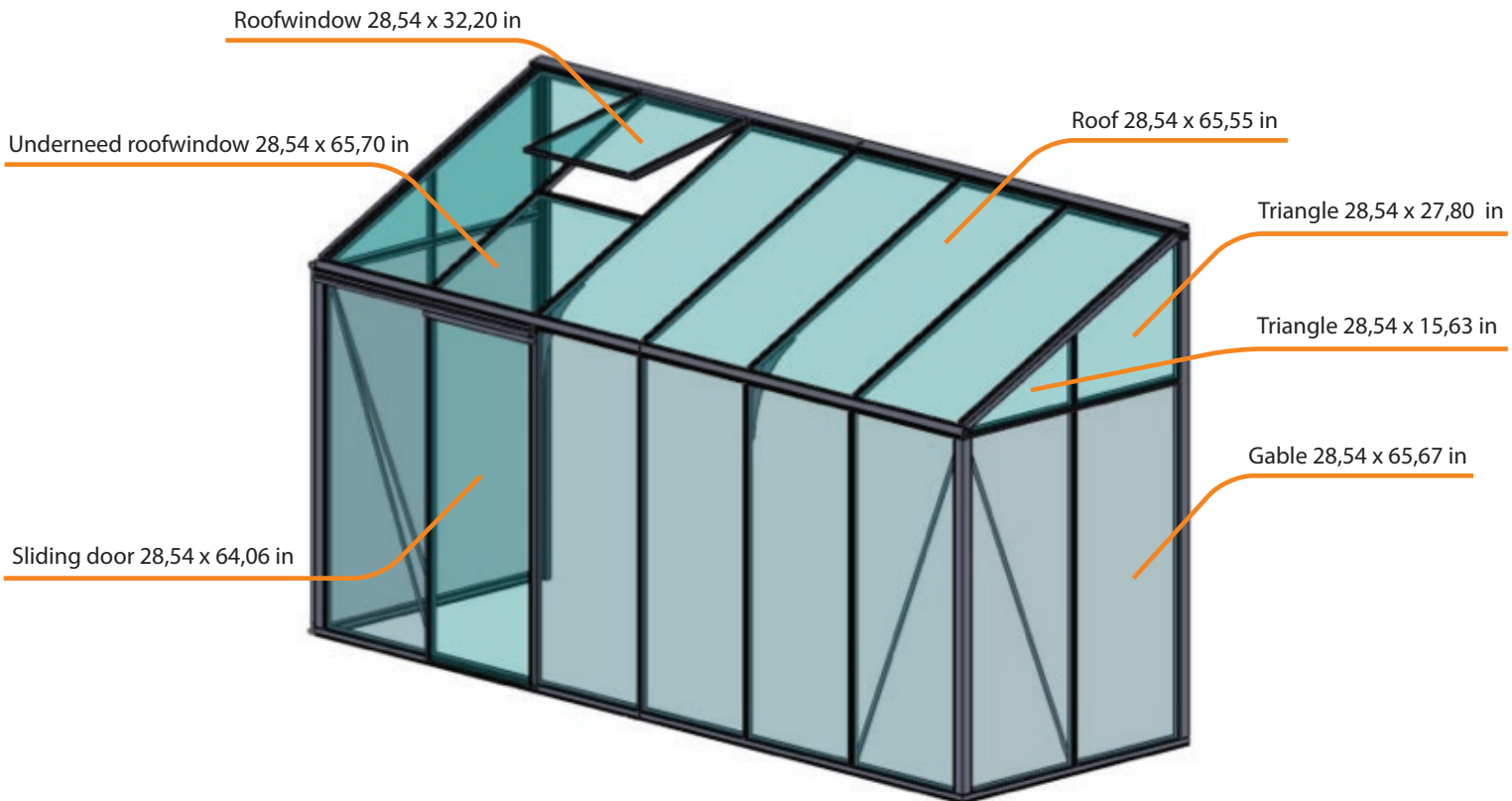
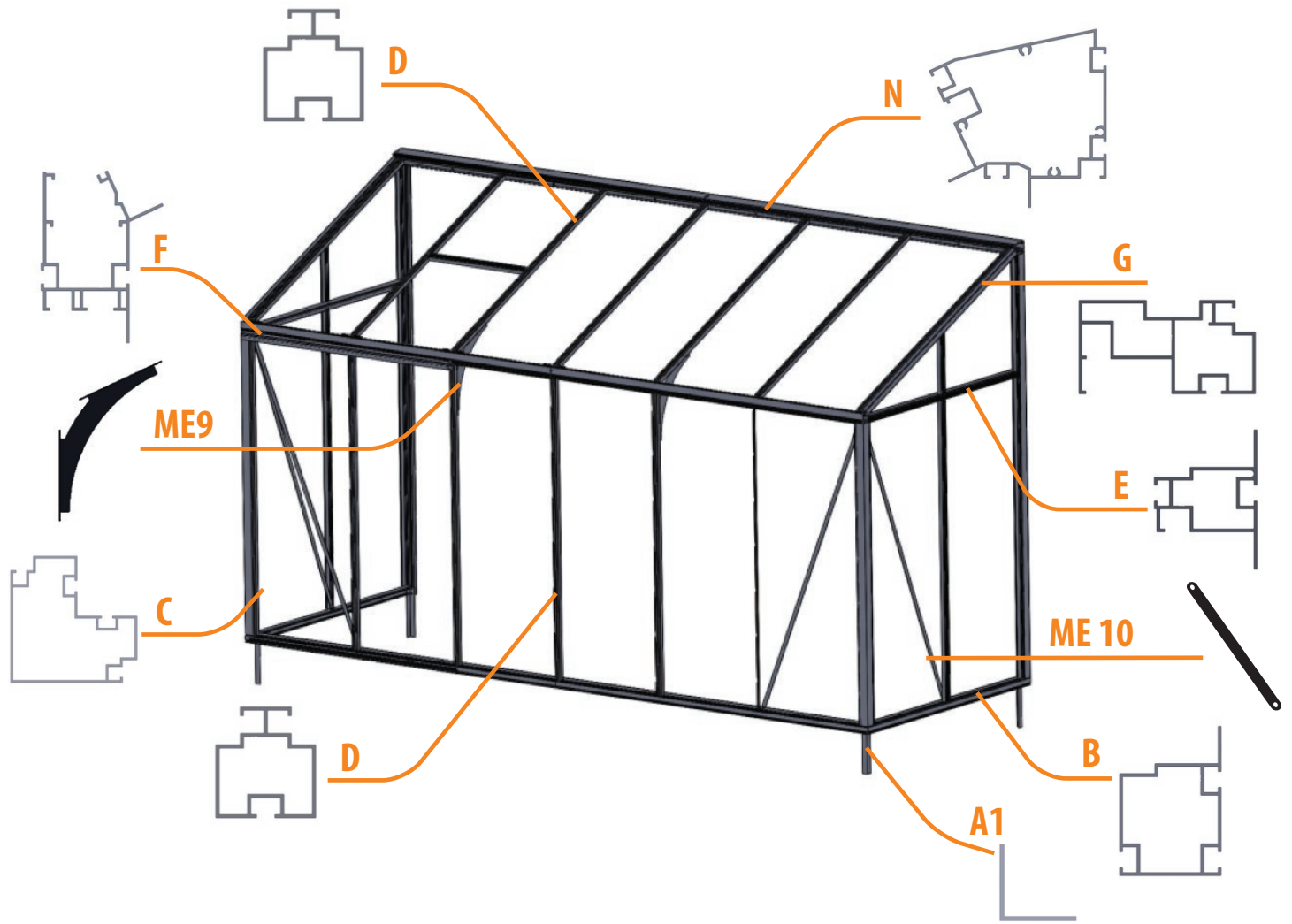


↓ Attachment points

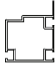


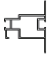
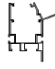


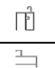
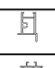

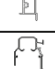
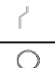

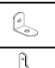





EXTENSIONS























Fix extension rod in place with screw















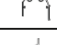
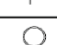



































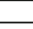
CLASSIFICATION OF PARTS

Part description, code and size			63,23x62,23	63,23x92,60	63,23x121	63,23x151,34	63,23x180,70	63,23x210,08	63,23x239,45
		Size (inch)							
	B1	63,23	4	2	2	2	2	2	2
	B2	90			2	2	2	2	2
	B3	32			2			2	
	B5	92,6		2					
	B6	61,34				2			2
	B7	90,71					2		
	B8	88,11						2	2
		C2	65,35	2	2	2	2	2	2
C735		29	4	4	4	4	4	4	4
	D2	65,35	3	4	5	6	7	8	9
	I1	65	1	2	3	4	5	6	12
	I2	15	1	1	1	1	1	1	1
	I4	15	1	1	1	1	1	1	1
	I7	28	1	1	1	1	2	2	2
	E11	58,66	1	1	1	1	1	1	1
	E12	58,66	1	1	1	1	1	1	1
	F1	63,15	1						
	F2	92,52		1					
	F3	90			1	1	1	1	1
	F4	31,93			1			1	
	F6	61,3				1			1
	F7	90,67					1		
	F8	88,11						1	1
		G1	65	2	2	2	2	2	2
	N3	63,15	1						
	N6	92,52		1					
	N5	90			1	1	1	1	1
	N1	31,93			1			1	
	N2	61,3				1			1
	N6	90,67					1		
	N4	88,11						1	1
	L1	30,63	1	1	1	1	2	2	2
	L2	32,52	2	2	2	2	4	4	4
	L3	30,63	1	1	1	1	2	2	2
	M1	30,63	1	1	1	1	1	1	1
	M6	64,41	2	2	2	2	2	2	2
	M3	30,63	1	1	1	1	1	1	1
	M4	60,24	1	1	1	1	1	1	1
	M5	60,24	1	1	1	1	1	1	1
	M7	65	1	1	1	1	1	1	1
	S1	11,81	0	0	12	12	12	20	20
	ME10	71,85	0	0	4	4	4	4	4
	ME5	1.38 x 1.38	4	4	4	4	6	6	6
	ME6	2.36 x 2.36	4	4	4	4	6	6	6
	ME7	23,5	1	1	1	1	2	2	2
	ME8	2	4	6	8	10	12	14	16
	ME9 one part	11.81 x 11.81	0	0	1	2	2	2	3
	A1	1.38 x 1.38 x 11.81	4	4	4	4	4	4	4
	A2	0.59 x 0.59 x 64.41	1 if double doors						
	S2	2.76 x 0.55 x 0.08	1 if double doors						

	Glazing rubber (ft)		115	148	165	197	213	230	262
	Brush strip (inch)		130	130	130	130	130	130	130
	Down pipe bend 90° - Ø1,37 inch		1	1	1	1	1	1	1
	Sliding roller		2	2	2	2	2	2	2
	Bolts 6*12		55	60	65	75	85	90	95
	Bolts 6*30		2	2	2	2	4	4	4
	Nuts 6x1		55	60	65	75	85	90	95
	Bolts, washer, 2 nuts 7*20		1	1	1	1	2	2	2
	Bolts, washer, nuts 10*20		2	2	2	2	2	2	2
	Tapping screws 4,8*25		8	8	8	8	16	16	16
	Tapping screws 4,8*19		5	5	5	5	5	5	5
	Hexagon socket screws		0	0	48	48	48	80	80
	Dowels		2	3	4	5	6	7	8
	Dowel screws 6*40		2	3	4	5	6	7	8
	Nut caps		55	60	65	75	85	90	95
	Gutter end incl. downpipe		1	1	1	1	1	1	1
	Gutter end		1	1	1	1	1	1	1
	Ridge end 1		1	1	1	1	1	1	1
	Ridge end 2		1	1	1	1	1	1	1
	Railends (L) sliding door		1	1	1	1	1	1	1
	Railends (R) sliding door		1	1	1	1	1	1	1
	PVC piece gable		2	2	2	2	2	2	2
Glass									
	Gable 28,54 x 65,67 inches		5	6	7	8	9	10	11
	Sliding door 28,54 x 64,06 inches		1	1	1	1	1	1	1
	Roof 28,54 x 65,55 inches		1	2	3	4	4	5	6
	Roofwindow / Underneath RW 28,54 x 32,20 inches		2	2	2	2	4	4	4
	Triangle 28,54 x 15,63 inches		2	2	2	2	2	2	2
	Triangle 28,54 x 27,80 inches		2	2	2	2	2	2	2






















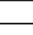
CLASSIFICATION OF PARTS

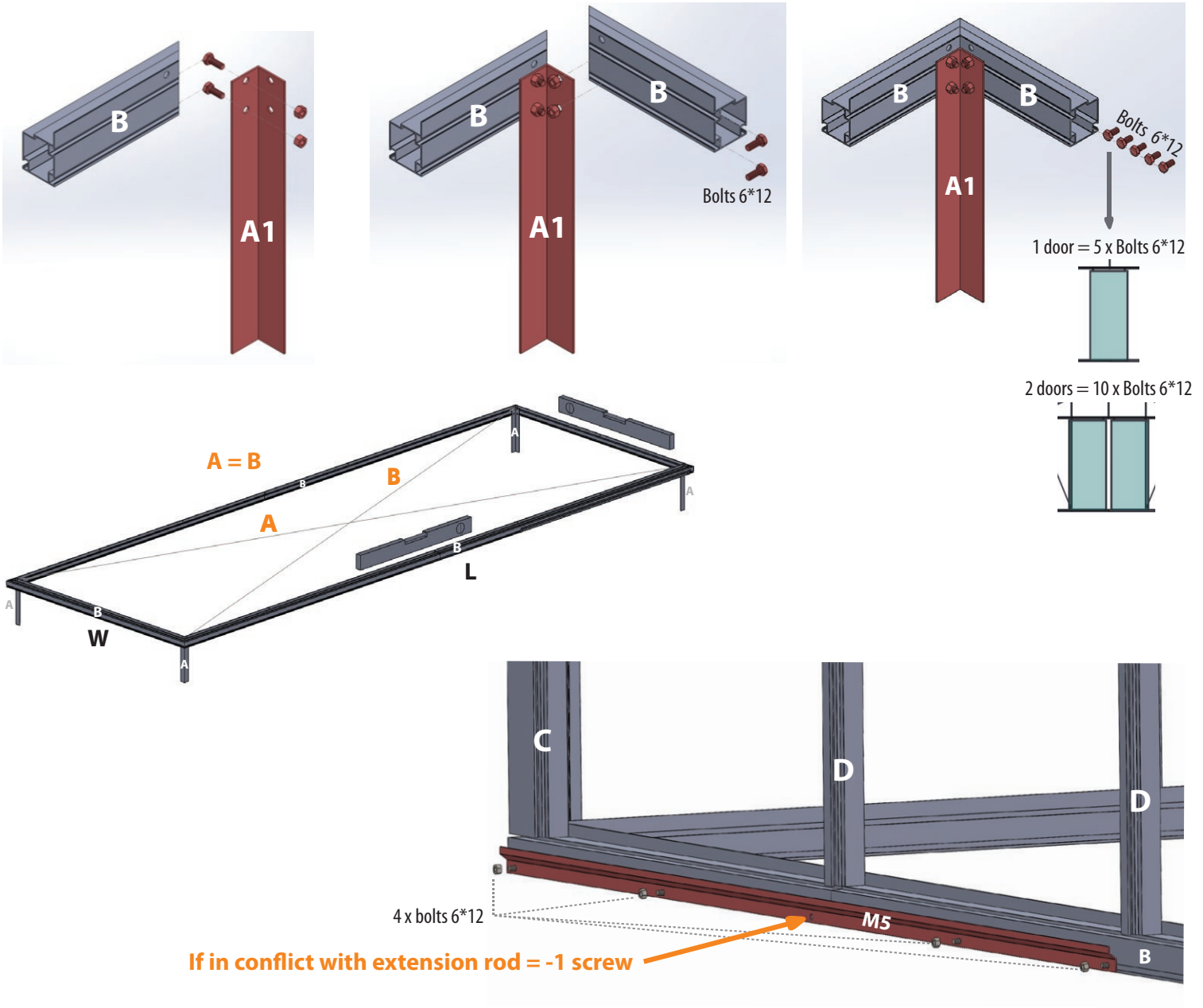
Part description, code and size			63,23x62,23	63,23x92,60	63,23x121	63,23x151,34	63,23x180,70	63,23x210,08	63,23x239,45
		Size (inch)							
	B1	63,23	4	2	2	2	2	2	2
	B2	90			2	2	2	2	2
	B3	32			2			2	
	B5	92,6		2					
	B6	61,34				2			2
	B7	90,71					2		
	B8	88,11						2	2
	C1	72	2	2	2	2	2	2	2
	C735	29	4	4	4	4	4	4	4
	D1	72	3	4	5	6	7	8	9
	I1	65	1	2	3	4	5	6	12
	I2	15	1	1	1	1	1	1	1
	I4	15	1	1	1	1	1	1	1
	I7	28	1	1	1	1	2	2	2
	E11	58,66	1	1	1	1	1	1	1
	E12	58,66	1	1	1	1	1	1	1
	F1	63,15	1						
	F2	92,52		1					
	F3	90			1	1	1	1	1
	F4	31,93			1			1	
	F6	61,3				1			1
	F7	90,67					1		
	F8	88,11						1	1
	G1	65	2	2	2	2	2	2	2
	N3	63,15	1						
	N6	92,52		1					
	N5	90			1	1	1	1	1
	N1	31,93			1			1	
	N2	61,3				1			1
	N6	90,67					1		
N4	88,11						1	1	
	L1	30,63	1	1	1	1	2	2	2
	L2	32,52	2	2	2	2	4	4	4
	L3	30,63	1	1	1	1	2	2	2
	M1	30,63	1	1	1	1	1	1	1
	M6	71,1	2	2	2	2	2	2	2
	M3	30,63	1	1	1	1	1	1	1
	M4	60,24	1	1	1	1	1	1	1
	M5	60,24	1	1	1	1	1	1	1
	M7	65	1	1	1	1	1	1	1
	S1	11,81	0	0	12	12	12	20	20
	ME2	78	4	4	4	4	4	4	4
	ME5	1.38 x 1.38	4	4	4	4	6	6	6
	ME6	2.36 x 2.36	4	4	4	4	6	6	6
	ME7	23,5	1	1	1	1	2	2	2
	ME8	2	4	6	8	10	12	14	16
	ME9 one part	11.81 x 11.81	0	0	1	2	2	2	3
	A1	1.38 x 1.38 x 11.81	4	4	4	4	4	4	4
	A2	0.59 x 0.59 x 71.1	1 if double doors						
	S2	2.76 x 0.55 x 0.08	1 if double doors						

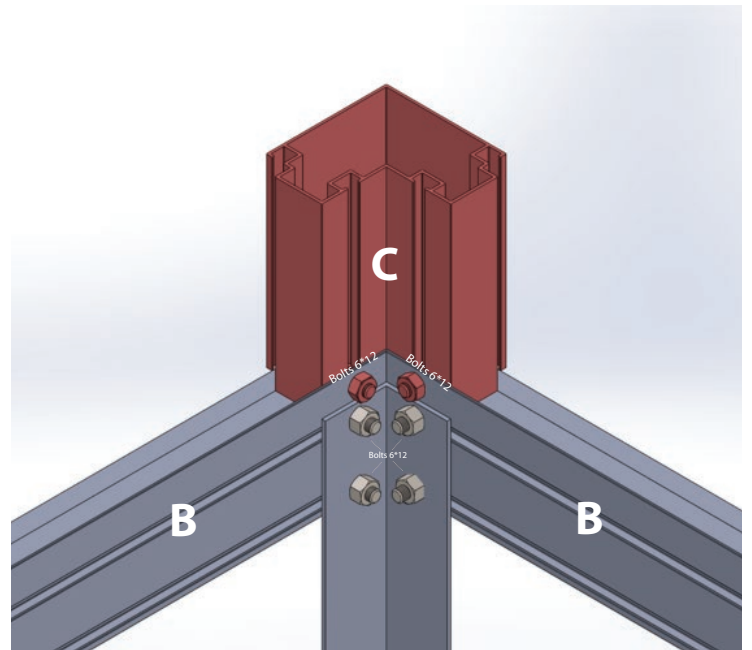
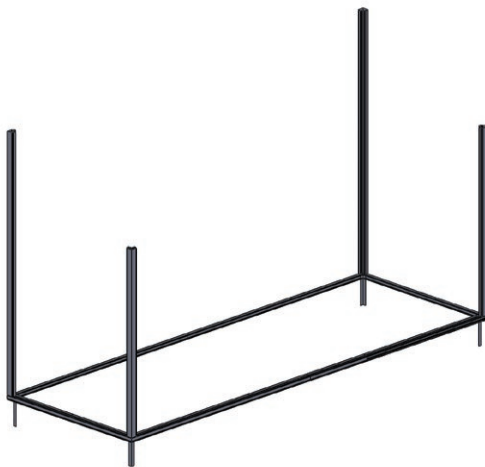
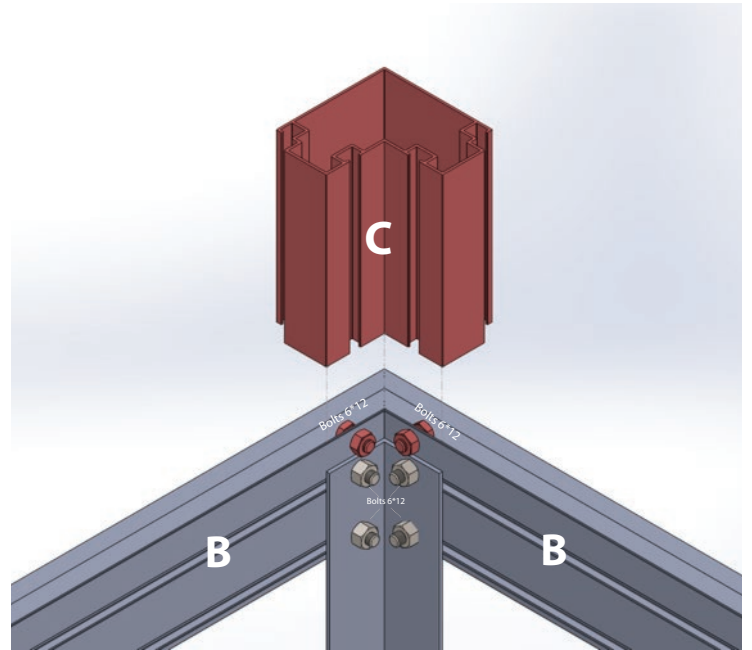
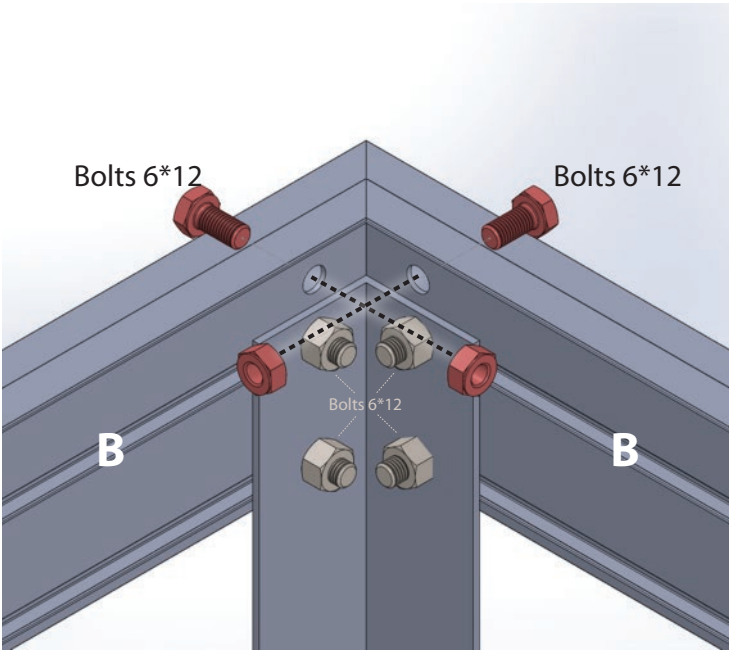
	Glazing rubber (ft)		115	148	164	197	213	230	262
	Brush strip (inch)		130	130	130	130	130	130	130
	Down pipe bend 90° - Ø1,37 inch		1	1	1	1	1	1	1
	Sliding roller		2	2	2	2	2	2	2
	Bolts 6*12		55	60	65	75	85	90	95
	Bolts 6*30		2	2	2	2	4	4	4
	Nuts 6x1		55	60	65	75	85	90	95
	Bolts, washer, 2 nuts 7*20		1	1	1	1	2	2	2
	Bolts, washer, nuts 10*20		2	2	2	2	2	2	2
	Tapping screws 4,8*25		8	8	8	8	16	16	16
	Tapping screws 4,8*19		5	5	5	5	5	5	5
	Hexagon socket screws		0	0	48	48	48	80	80
	Dowels		2	3	4	5	6	7	8
	Dowel screws 6*40		2	3	4	5	6	7	8
	Nut caps		55	60	65	75	85	90	95
	Gutter end incl. downpipe		1	1	1	1	1	1	1
	Gutter end		1	1	1	1	1	1	1
	Ridge end 1		1	1	1	1	1	1	1
	Ridge end 2		1	1	1	1	1	1	1
	Railends (L) sliding door		1	1	1	1	1	1	1
	Railends (R) sliding door		1	1	1	1	1	1	1
	PVC piece gable		2	2	2	2	2	2	2
Glass									
	Gable 28,54 x 65,67 inches		5	6	7	8	9	10	11
	Sliding door 28,54 x 64,06 inches		1	1	1	1	1	1	1
	Roof 28,54 x 65,55 inches		1	2	3	4	4	5	6
	Roofwindow / Underneed RW 28,54 x 32,20 inches		2	2	2	2	4	4	4
	Triangle 28,54 x 15,63 inches		2	2	2	2	2	2	2
	Triangle 28,54 x 27,80 inches		2	2	2	2	2	2	2

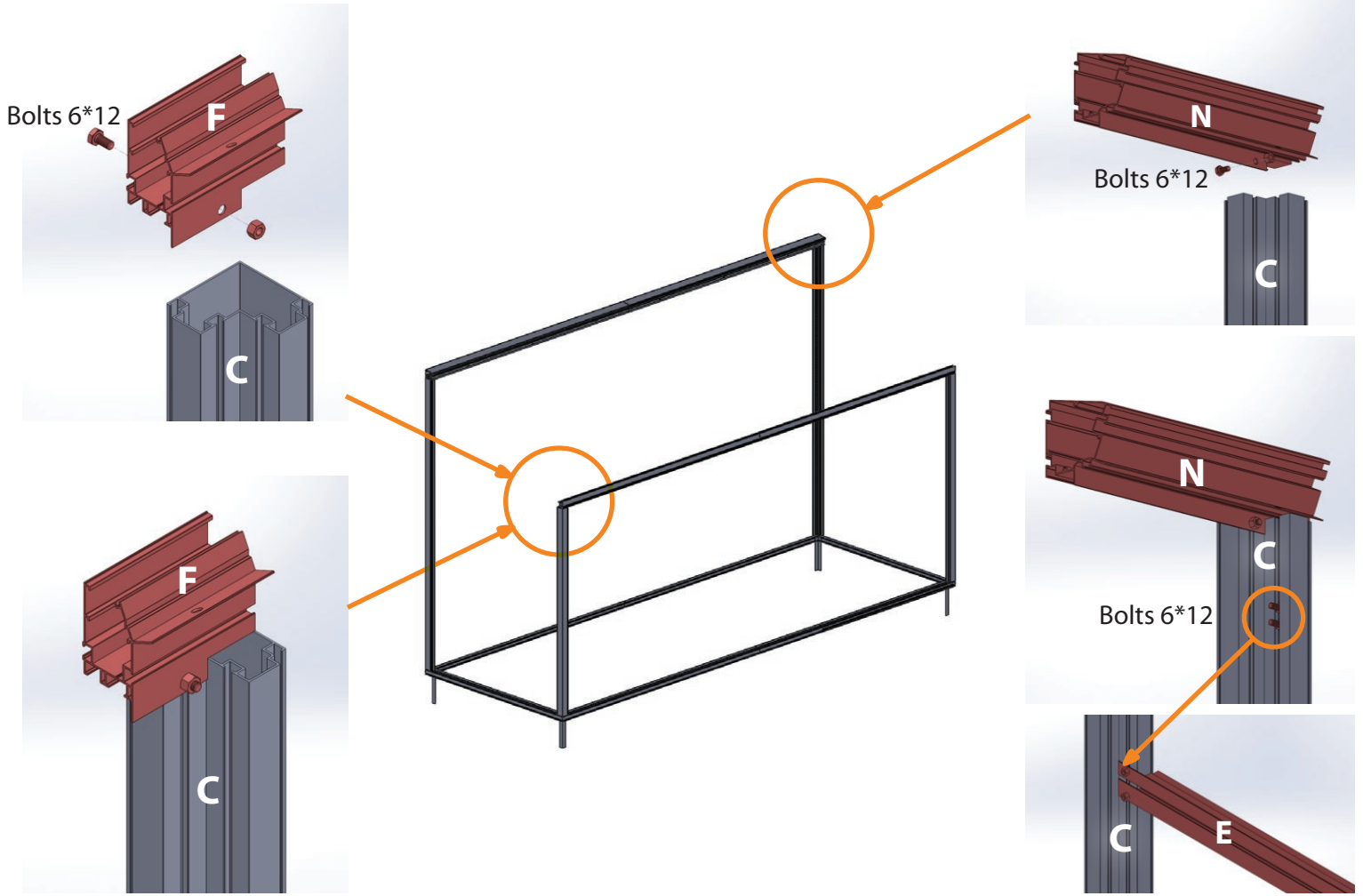
CLASSIFICATION OF PARTS

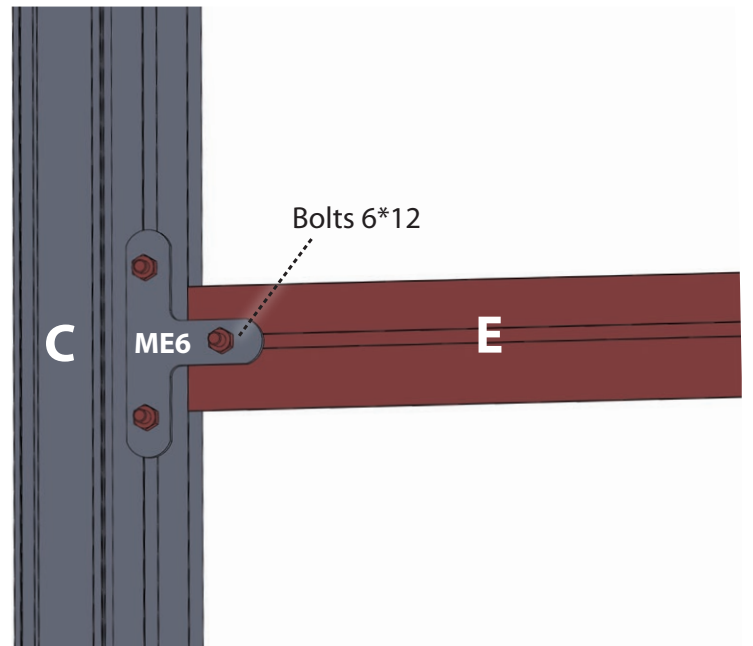
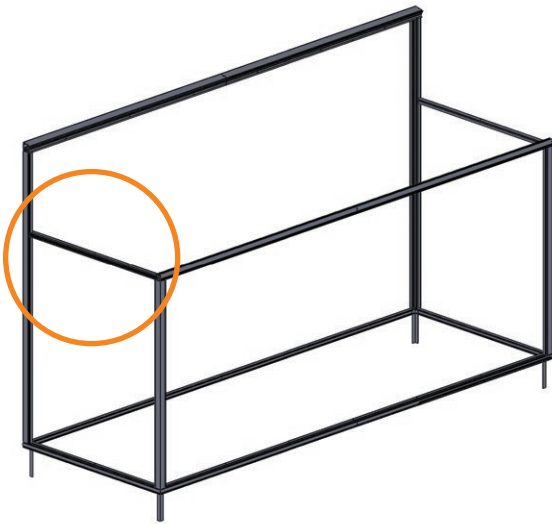
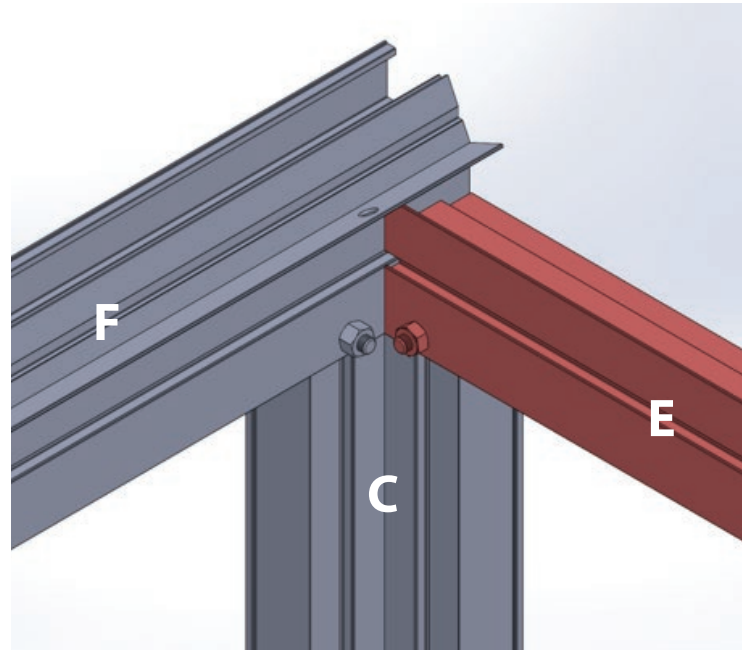
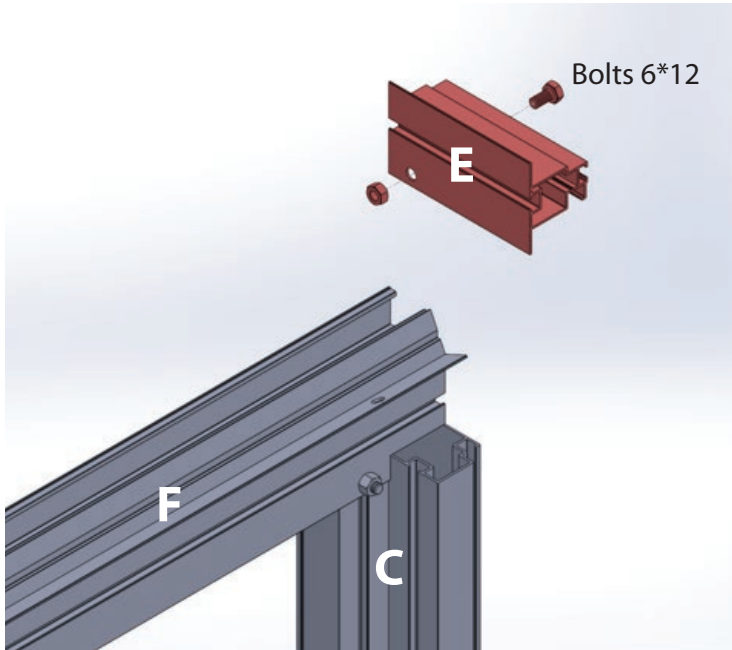
Part description, code and size			92,60x63,23	92,60x92,60	92,60x122	92,60x151,34	92,60x180,71	92,60x210	92,60x239,45		
	B1	63,23	2		2	2	2	2	2		
	B2352	92,6	2	4							
	B3098	122			2						
	B3844	151,34				2					
	B4590	180,71					2				
	B5336	210,08						2			
	B6082	239,45							2		
	C1	72	2	2	2	2	2	2	2		
	C2913	114,69	2	2	2	2	2	2	2		
	D1	72	5	6	7	8	9	10	11		
	I2474	97,4	1	2	3	4	5	6	7		
	I2	15	1	1	1	1	1	1	1		
	I4	15	1	1	1	1	1	1	1		
	I728 in angle	28,66	1	1	1	1	2	2	2		
	I728 in angle 2	28,66	1	1	1	1	2	2	2		
	Square tube 0,59x1,18	97,4	1	2	3	4	5	6	7		
	E2236.1	88	1	1	1	1	1	1	1		
	E2236.2	88	1	1	1	1	1	1	1		
	F1606	63,23	1								
	F2352	92,6		1							
	F3098	122			1						
	F3844	151,34				1					
	F4590	180,71					1				
	F5336	210,08						1			
	F6082	239,45							1		
	G2474	97,4	2	2	2	2	2	2	2		
	N1606	63,23	1								
	N2352	92,6		1							
	N3098	122			1						
	N3844	151,34				1					
	N4590	180,71					1				
	N5336	210,08						1			
	N6082	239,45							1		
	L1	30,63	1	1	1	1	2	2	2		
	L2	32,52	2	2	2	2	4	4	4		
	L3	30,63	1	1	1	1	2	2	2		
	M1	30,63	1	1	1	1	1	1	1		
	M6	71,1	2	2	2	2	2	2	2		
	M3	30,63	1	1	1	1	1	1	1		
	M4	60,24	1	1	1	1	1	1	1		
	M5	60,24	1	1	1	1	1	1	1		
	M7	65	1	1	1	1	1	1	1		
	ME2	78	2	4	4	4	4	4	4		
	ME5	1.38 x 1.38	4	4	4	4	6	6	6		
	ME6	2.36 x 2.36	4	4	4	4	6	6	6		
	ME7	23,5	1	1	1	1	2	2	2		
	ME8	2	4	6	8	10	12	14	16		
	ME9 one part	11.81 x 11.81	0	0	1	2	2	2	3		
	A1	1.38 x 1.38 x 11.81	4	4	4	4	4	4	4		
	A2	0.59 x 0.59 x 71.1	1 if double doors								
	S2	2.76 x 0.55 x 0.08	1 if double doors								

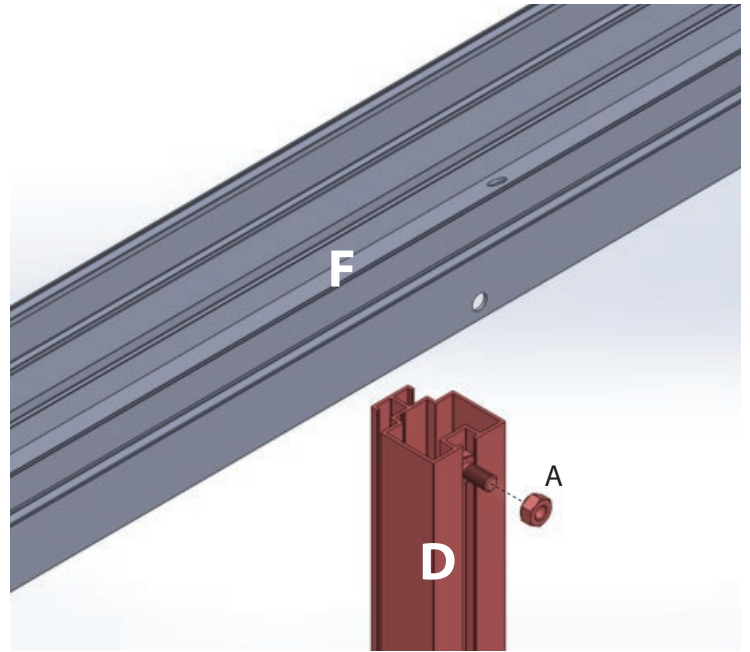
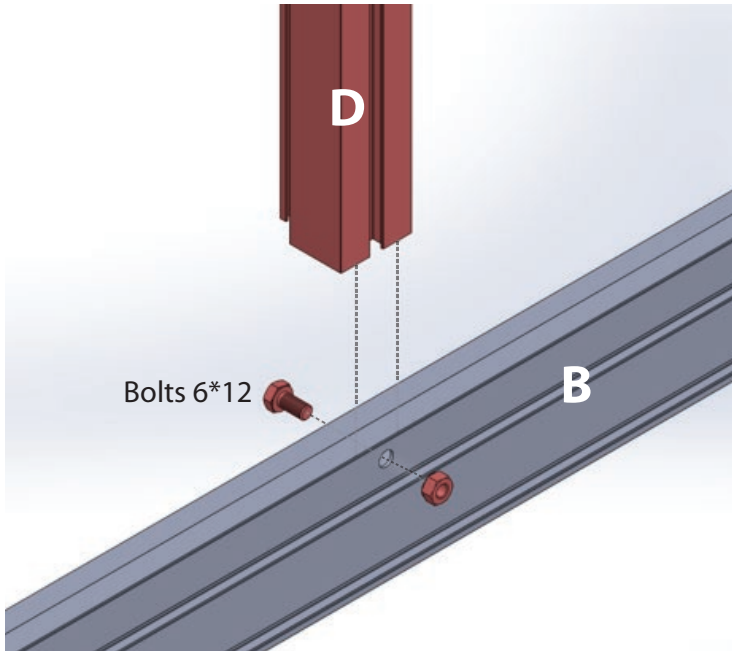
	Glazing rubber (ft)		148	164	196	213	230	262	295
	Brush strip (in)		130	130	130	130	130	130	130
	Down pipe bend 90° - Ø1,37 mm		1	1	1	1	1	1	1
	Sliding roller		2	2	2	2	2	2	2
	Bolts 6*12		60	65	70	80	90	95	100
	Bolts 6*30		2	2	2	2	4	4	4
	Nuts 6x1		60	65	70	80	90	95	100
	Bolts, washer, 2 nuts 7*20		1	1	1	1	2	2	2
	Bolts, washer, nuts 10*20		2	2	2	2	2	2	2
	Tapping screws 4,8*25		8	8	8	8	16	16	16
	Tapping screws 4,8*19		5	5	5	5	5	5	5
	Dowel		2	3	4	5	6	7	8
	Dowel screws 6*40		2	3	4	5	6	7	8
	Nut caps		60	65	70	80	90	95	100
	Gutter end incl. downpipe		1	1	1	1	1	1	1
	Gutter end		1	1	1	1	1	1	1
	Ridge end 1		1	1	1	1	1	1	1
	Ridge end 2		1	1	1	1	1	1	1
	Railends (L) sliding door		1	1	1	1	1	1	1
	Railends (R) sliding door		1	1	1	1	1	1	1
	PVC piece gable		2	2	2	2	2	2	2
	Bolts 6*40		3	6	9	12	15	18	21
Glass									
	Gable 28,54 x 65,67 in		5	6	7	8	9	10	11
	Sliding door 28,54 x 64,06 in		1	1	1	1	1	1	1
	Roof 28,54 x 65,55 in		1	2	3	4	4	5	6
	Roofwindow 28,54 x 32,20 in		1	1	1	1	2	2	2
	Underneed roofwindow 28,54 x 65,70 in		1	1	1	1	2	2	2
	Triangle 28,54 x 15,63 in		2	2	2	2	2	2	2
	Triangle 28,54 x 27,80 in		2	2	2	2	2	2	2
	Triangle 28,54 x 41,54 in		2	2	2	2	2	2	2



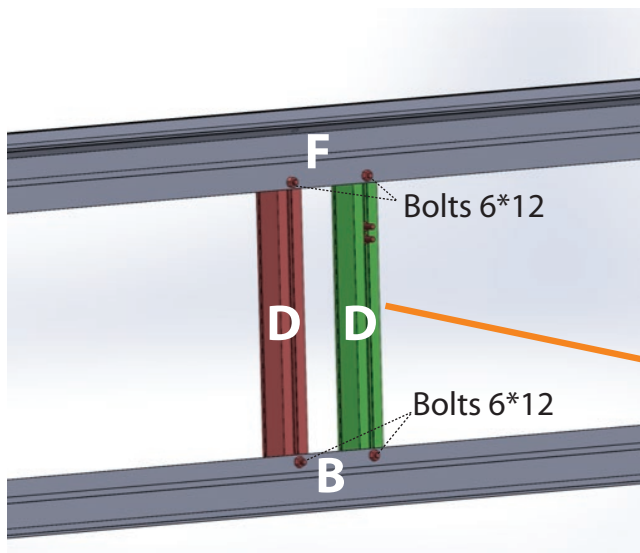
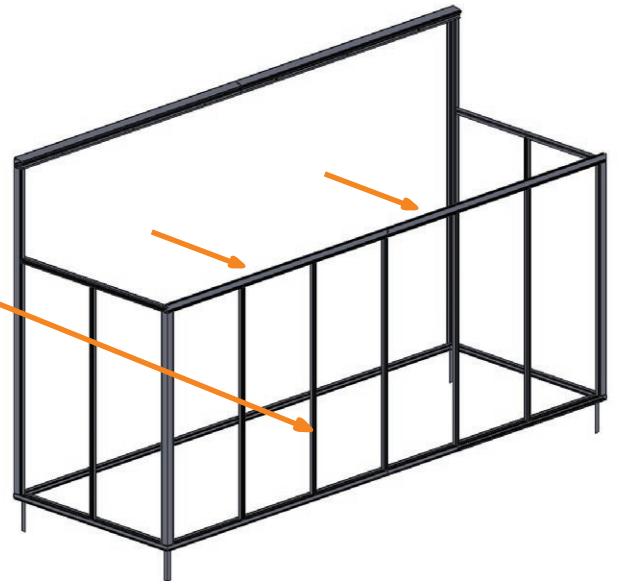




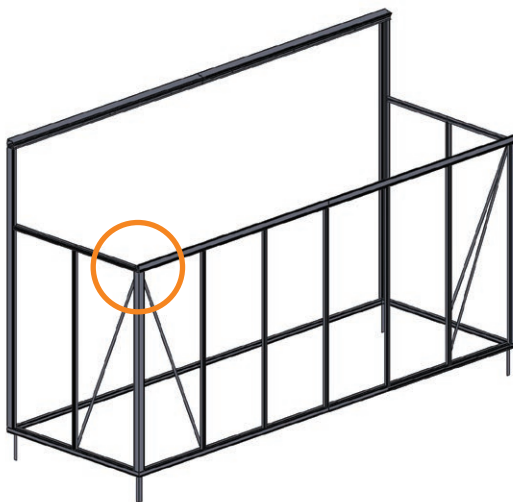
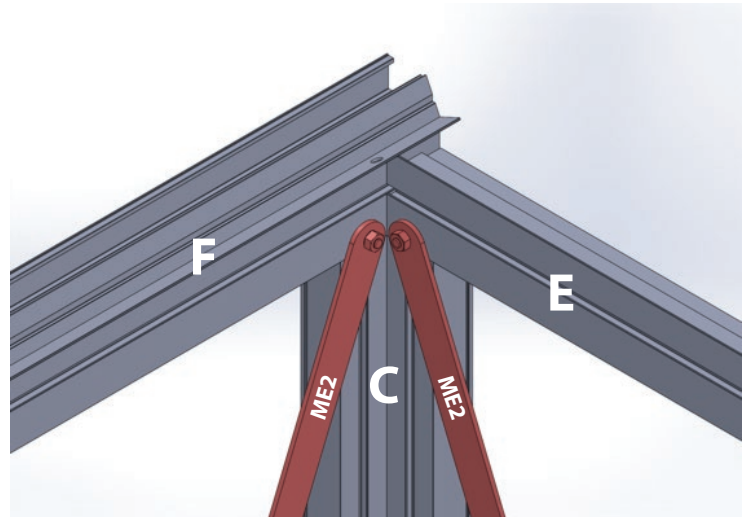
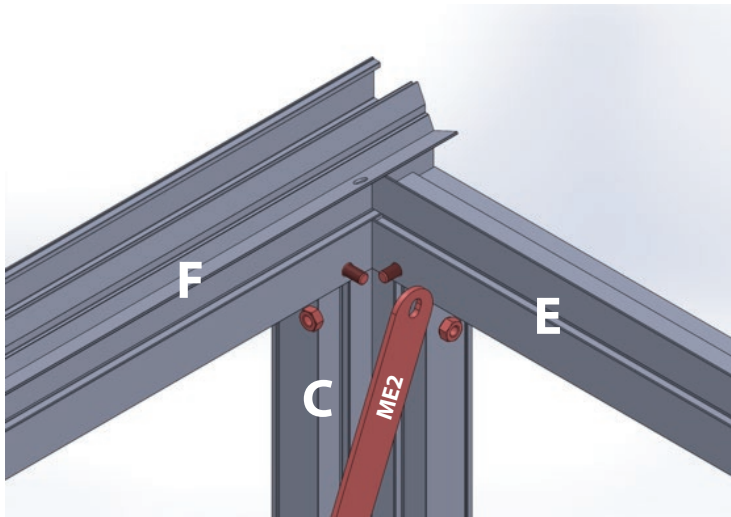
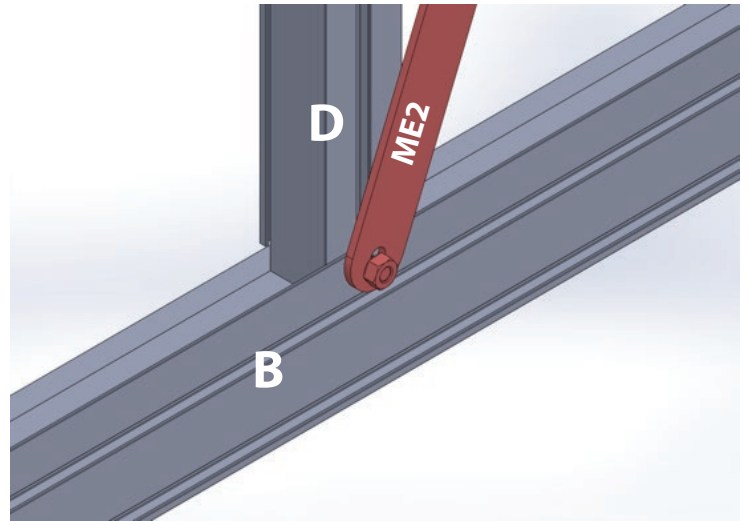
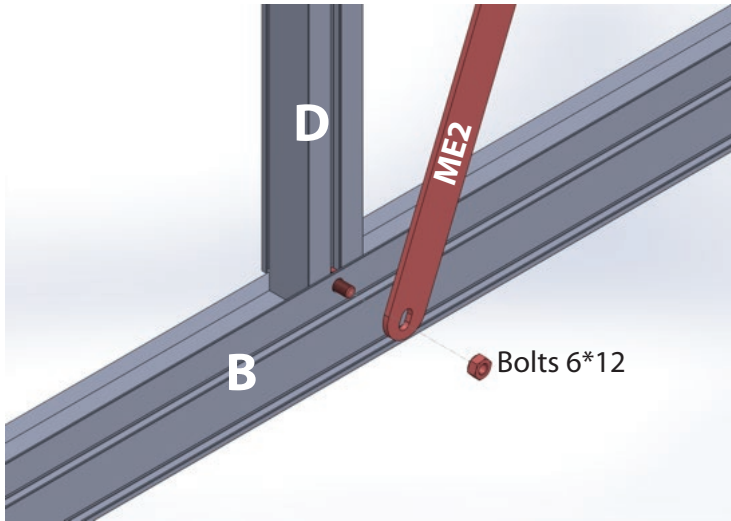




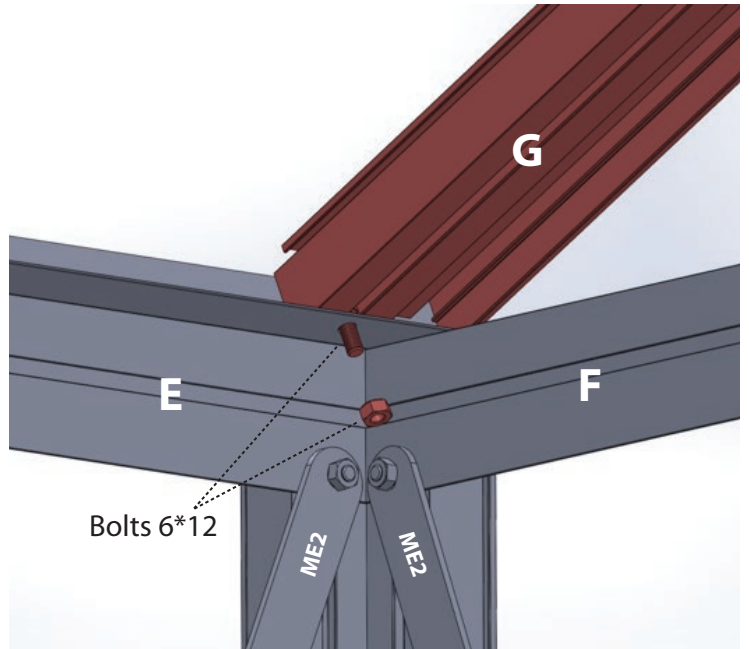
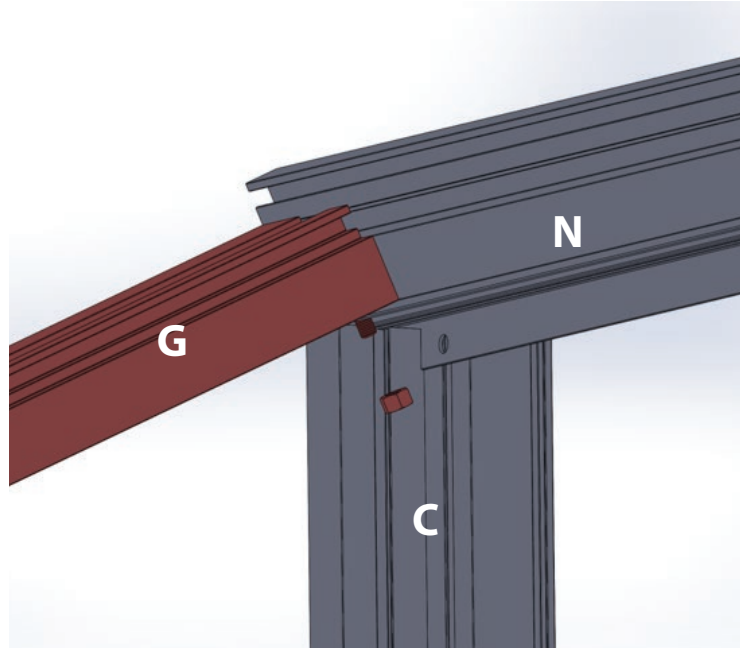
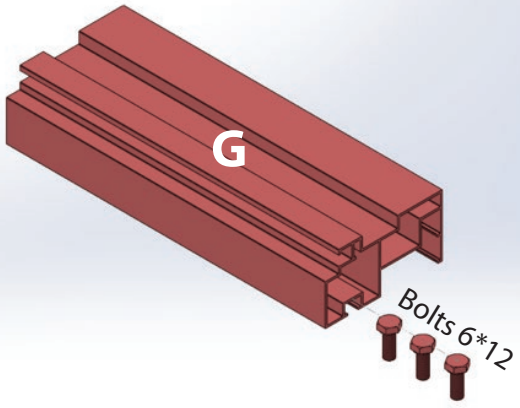
**Middle profile NOT installed if double doors.
Doors can be installed on short and long side.**

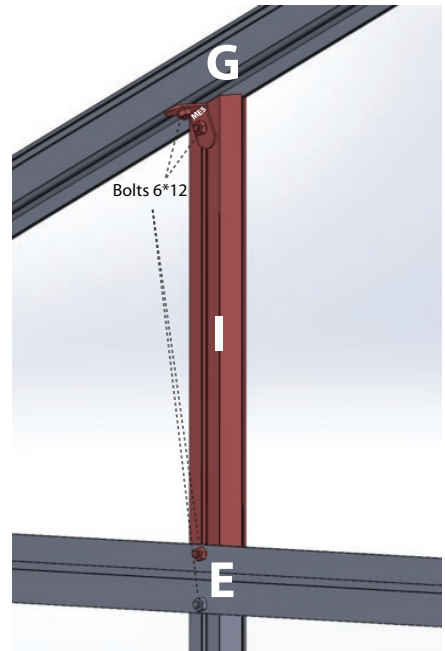
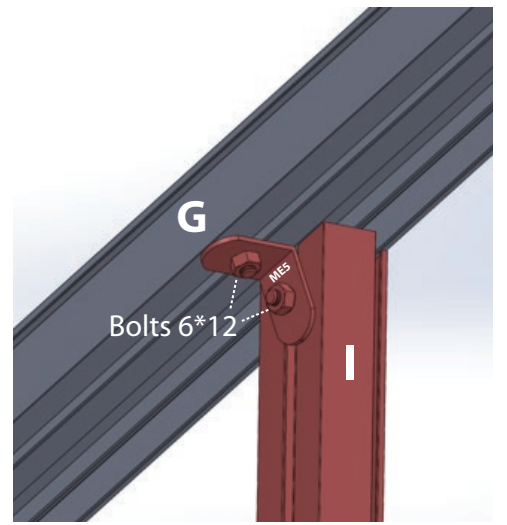
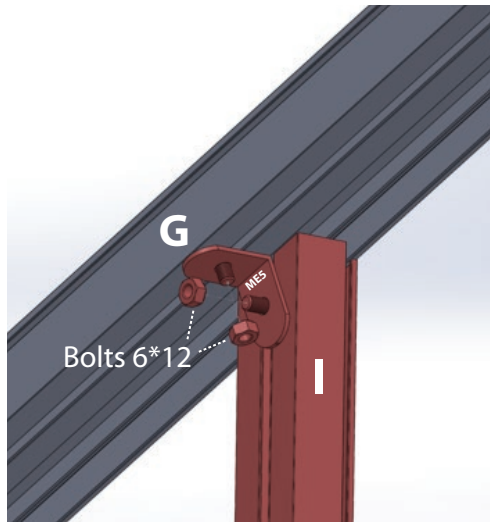
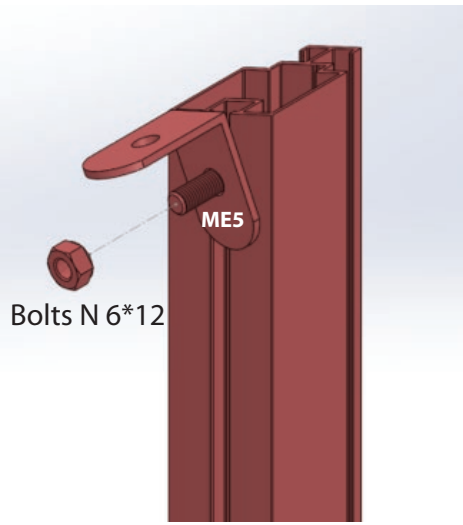


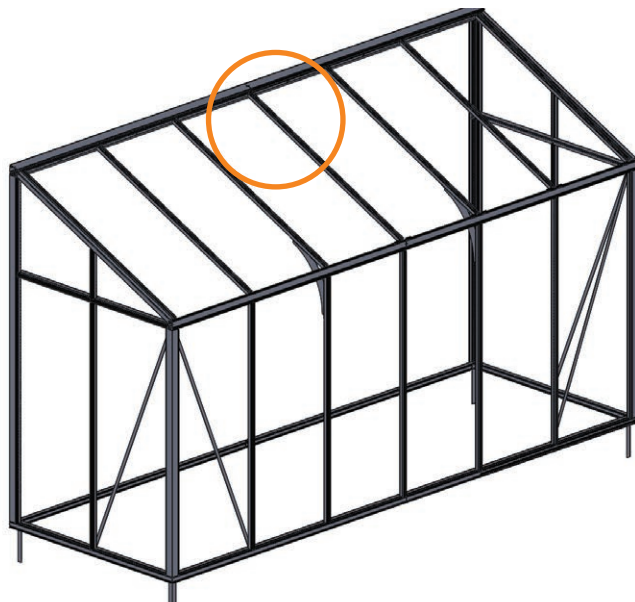
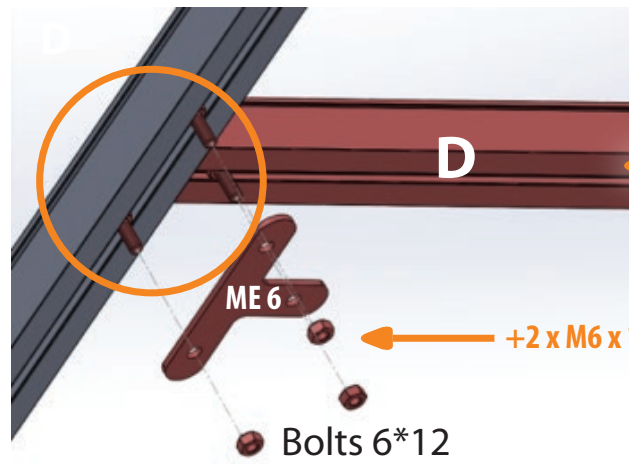
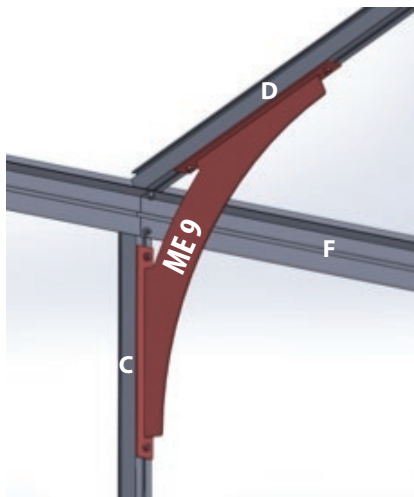
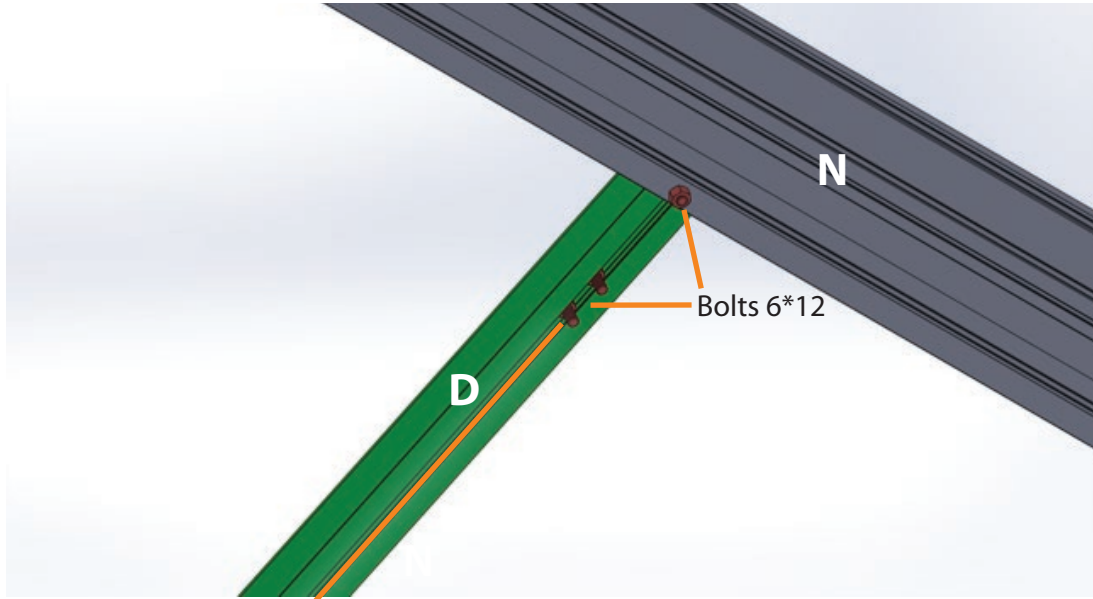
Step 11

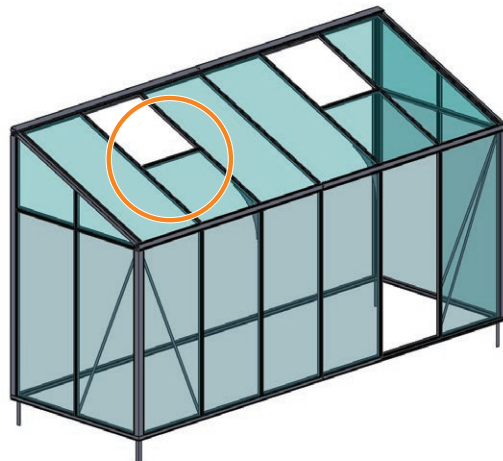
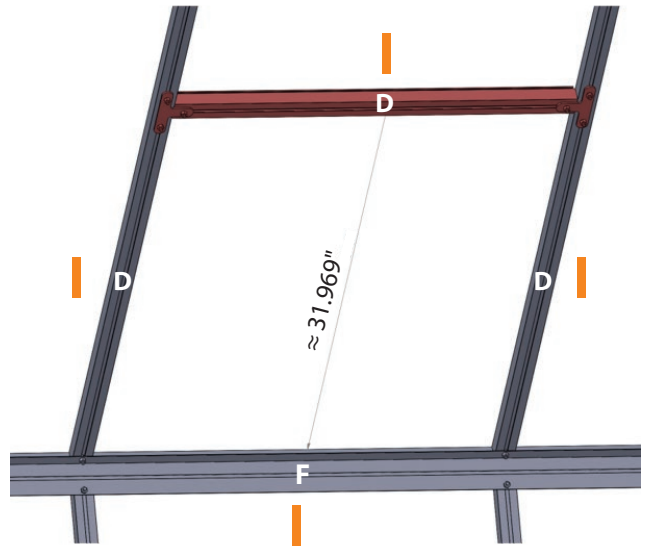
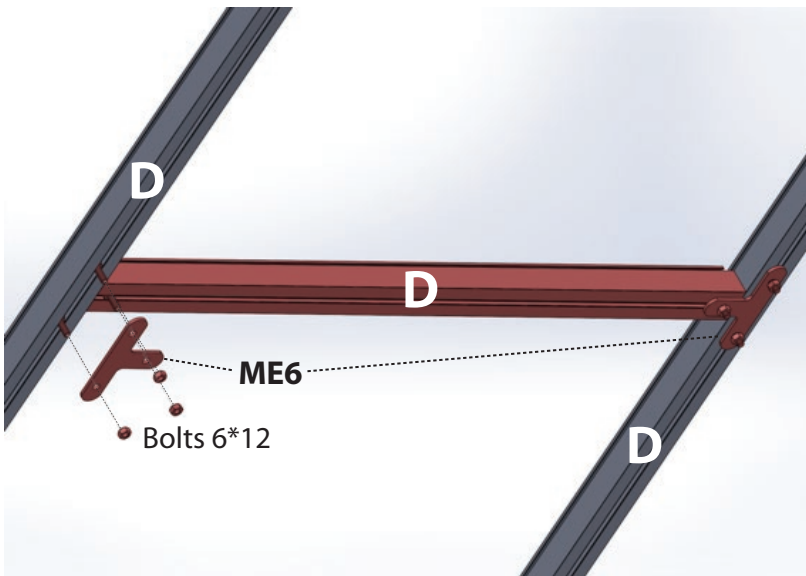
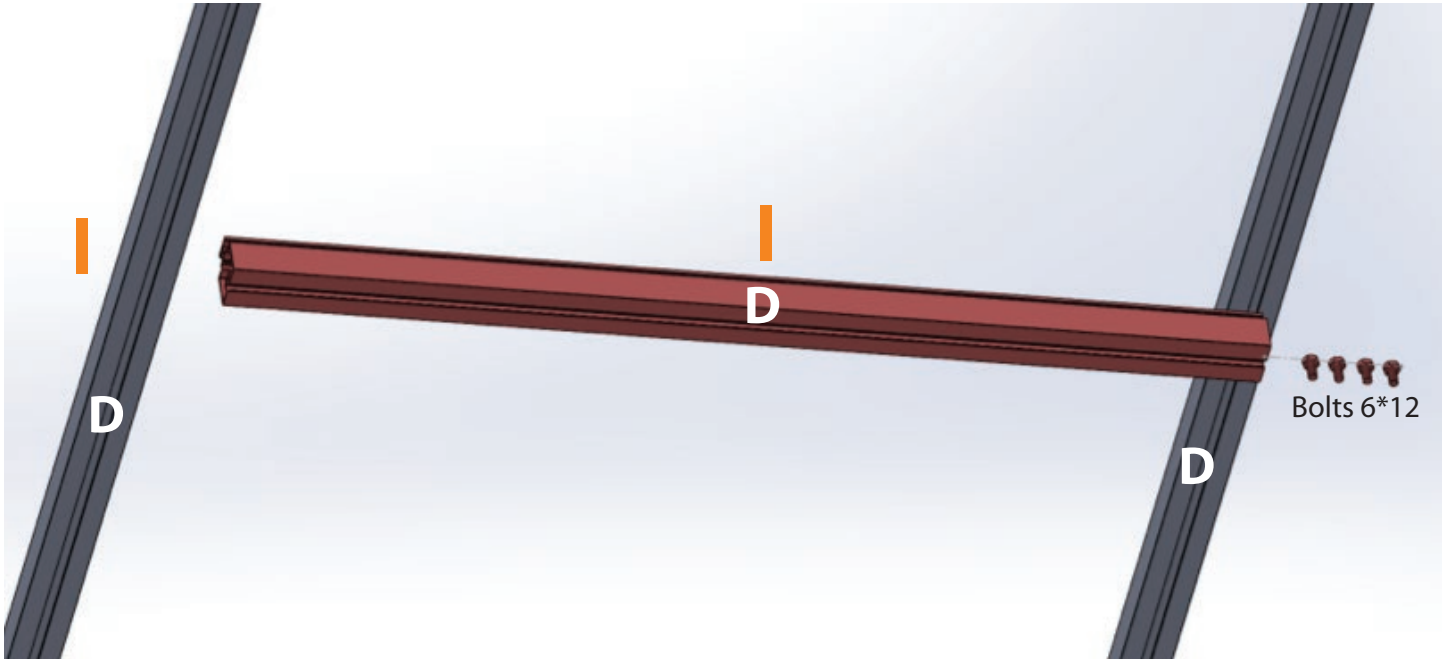


ME10 ← W=92.56"
 ME2 ← W=122.01"

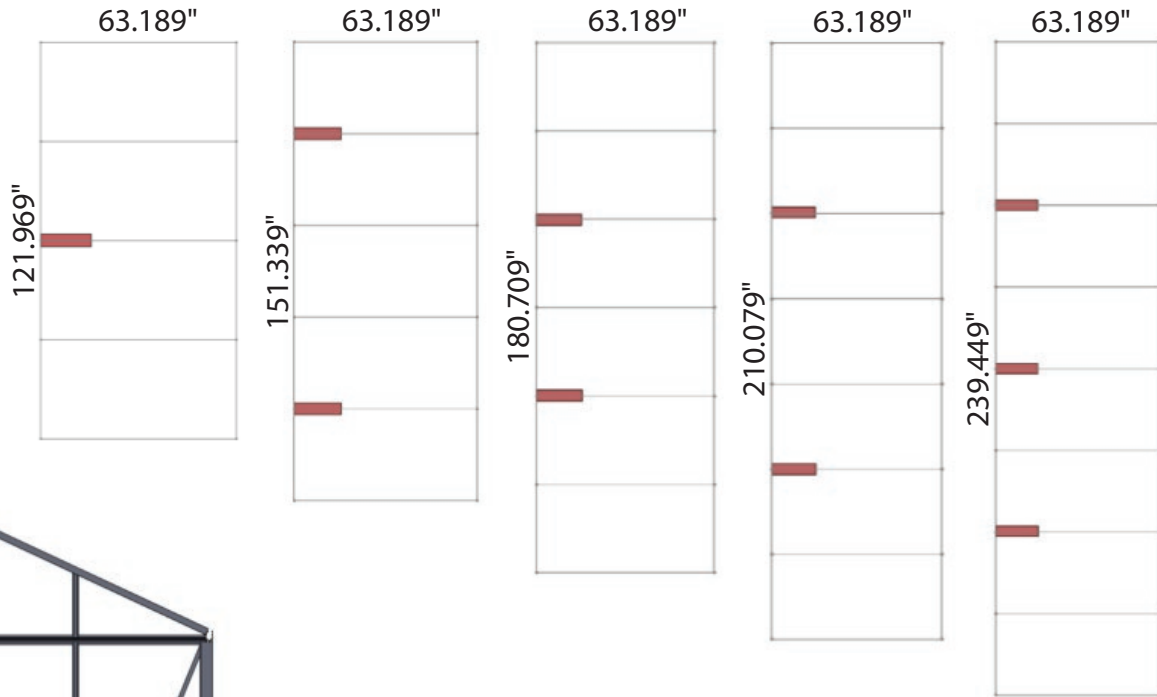




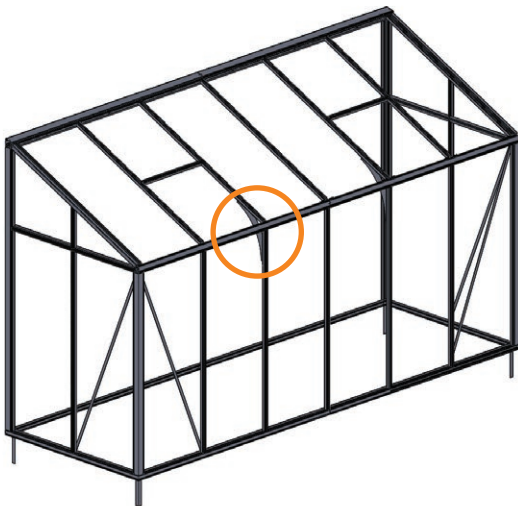




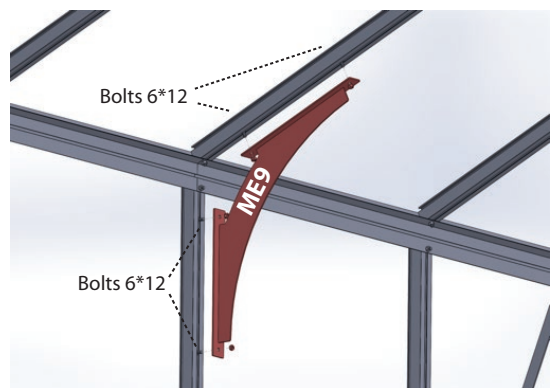
ME9 placement



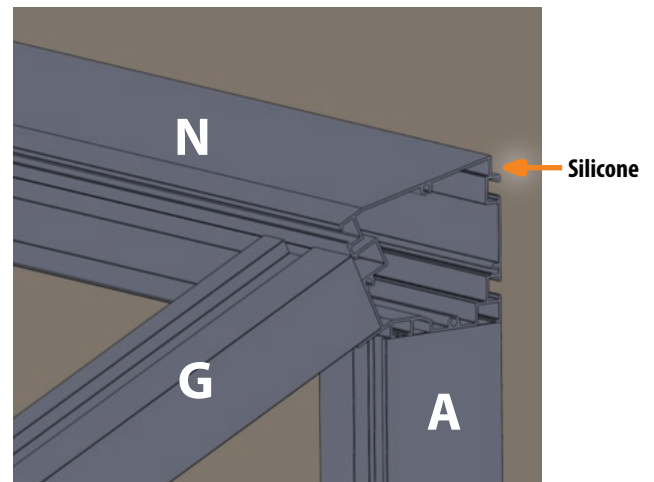
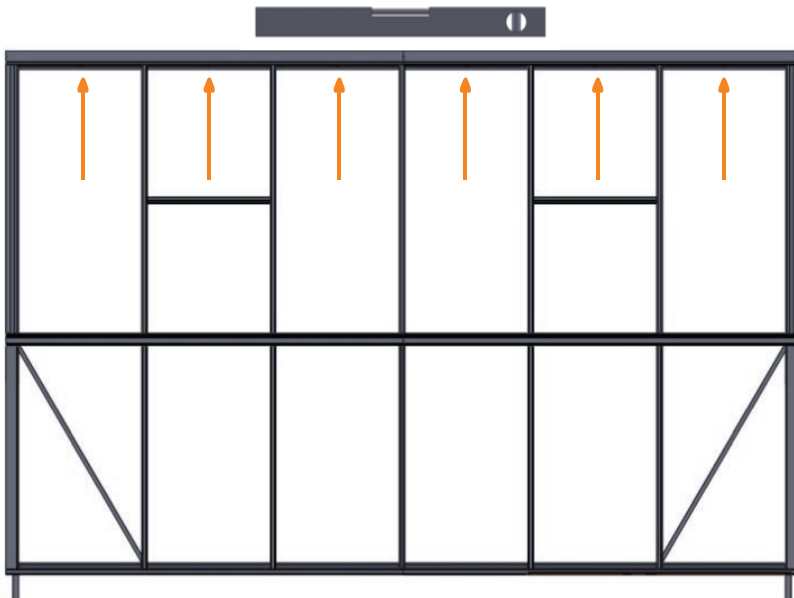
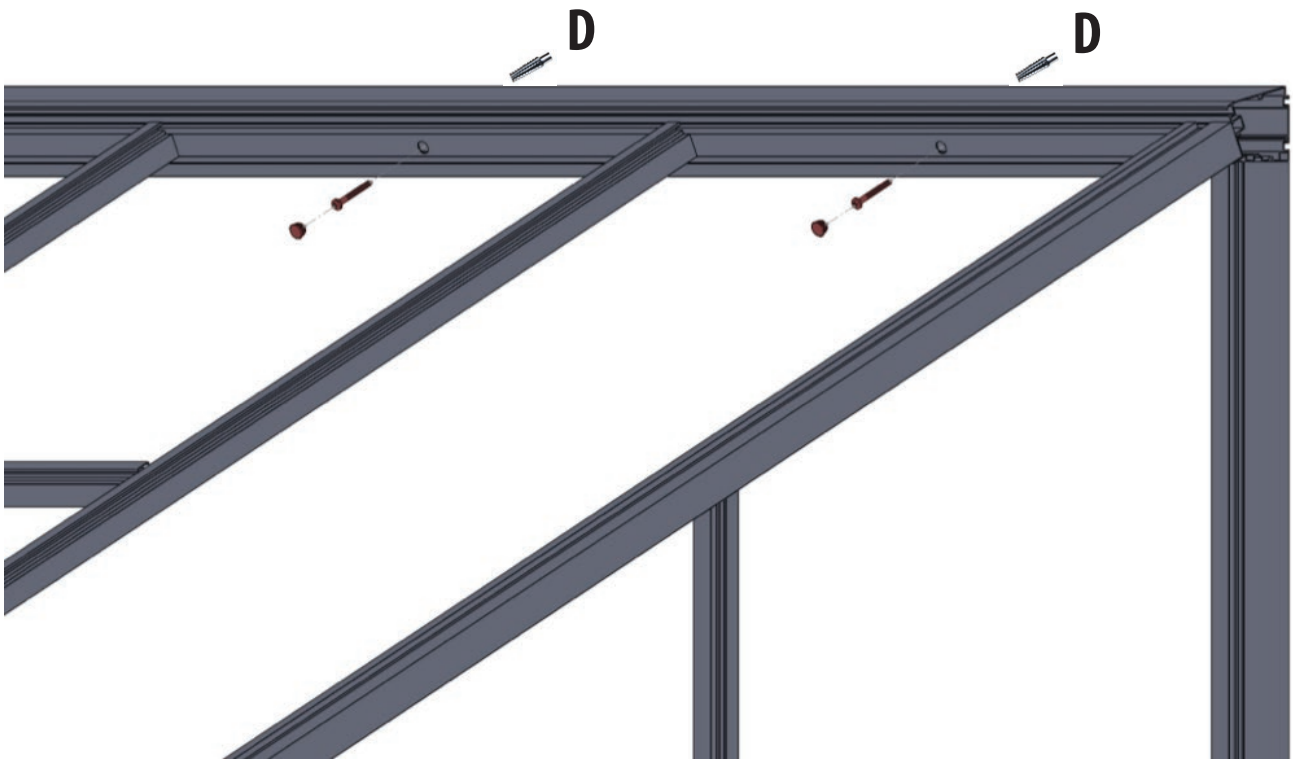
1. Push ridge from inside up by 0.591"
2. Fix the screws

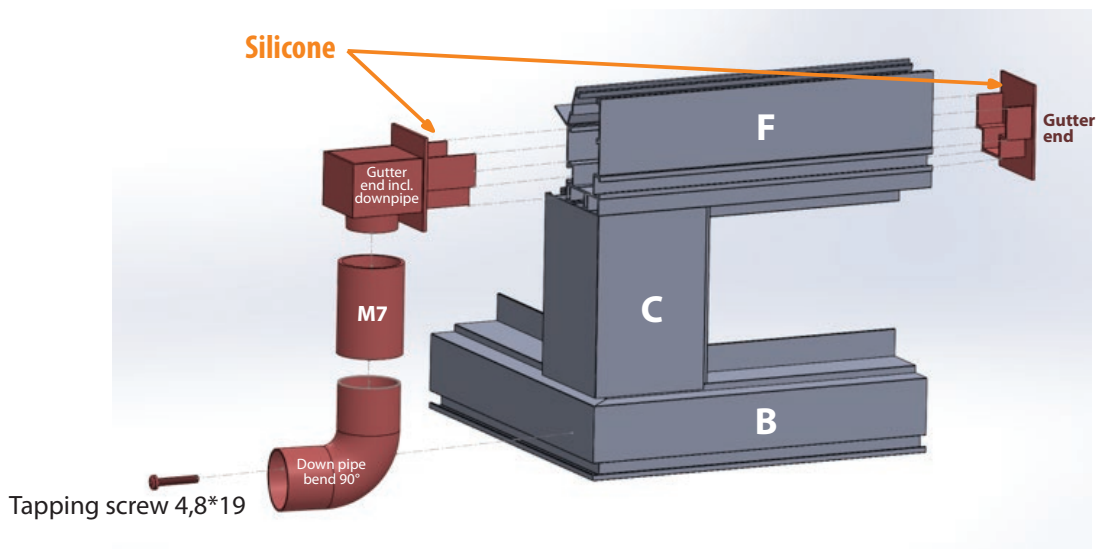
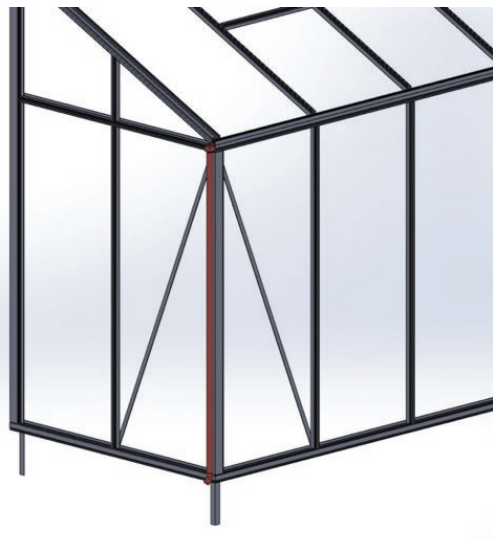
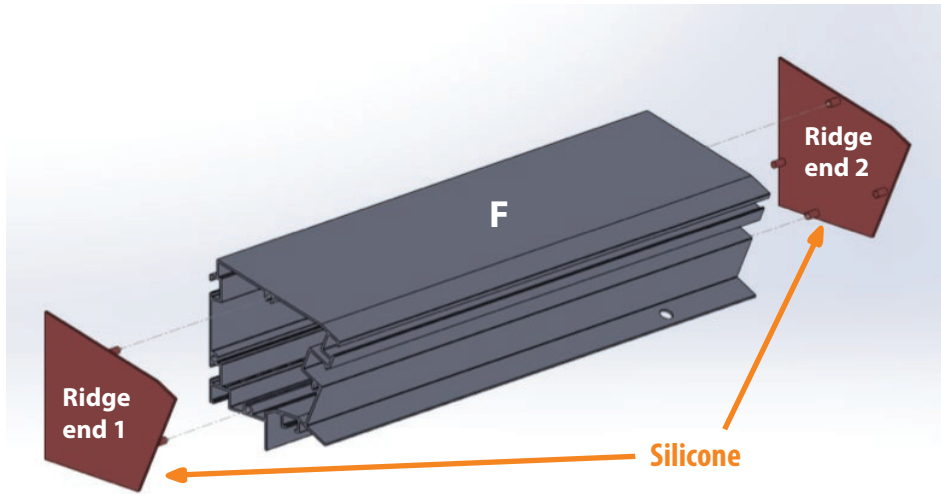


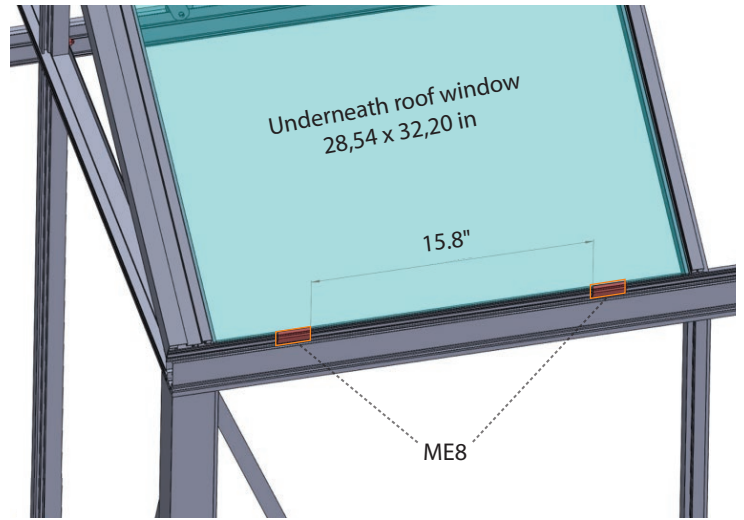
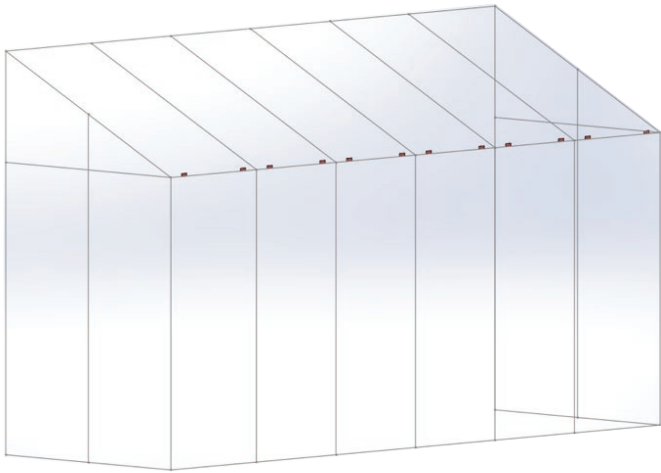
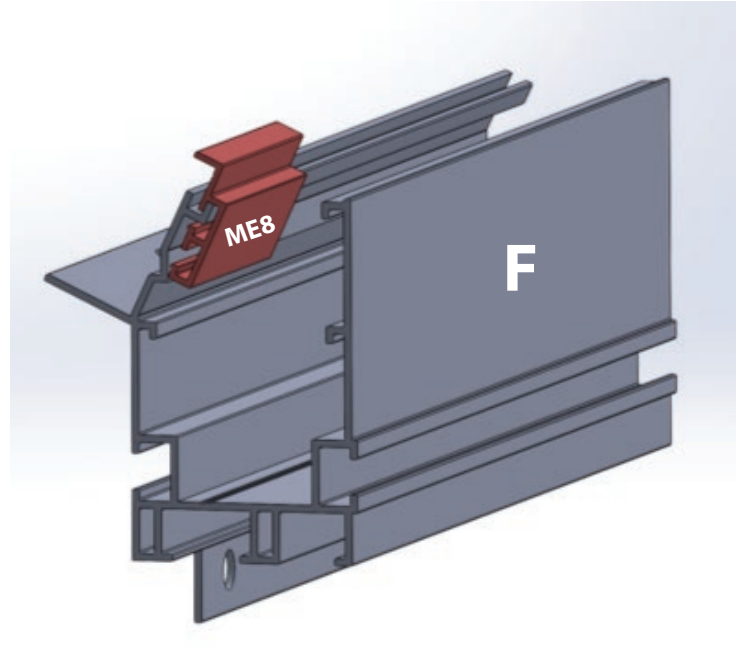
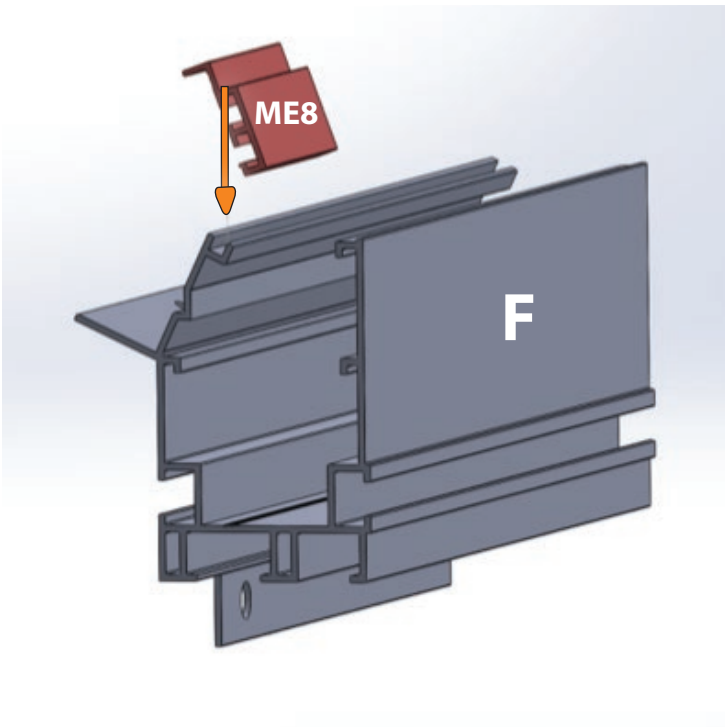
Not used for sizes L = 63.23", 92.60"

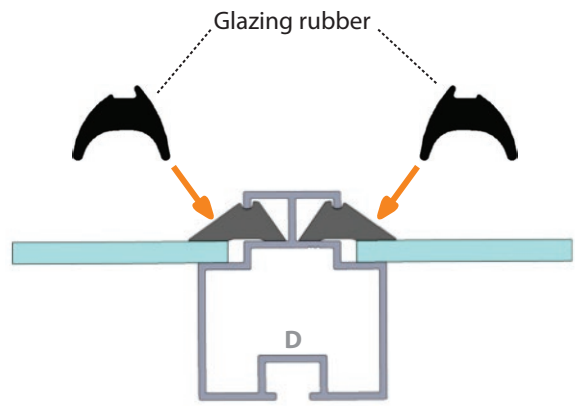
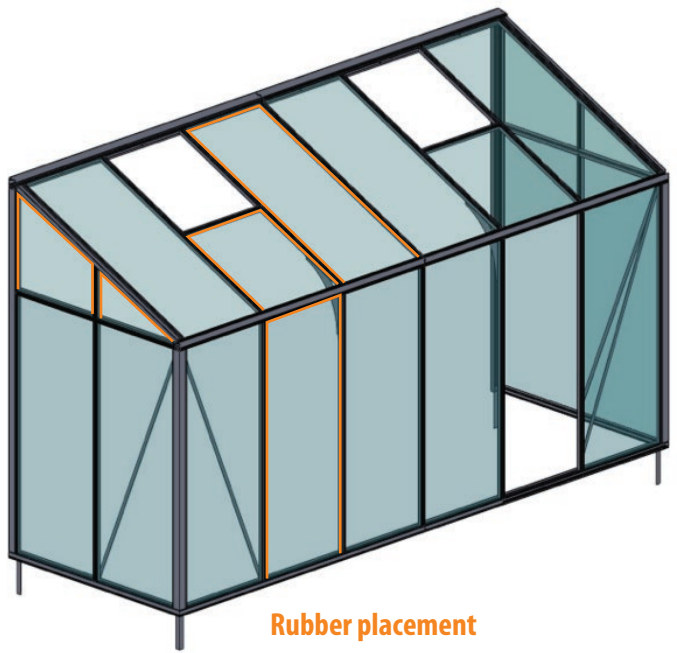
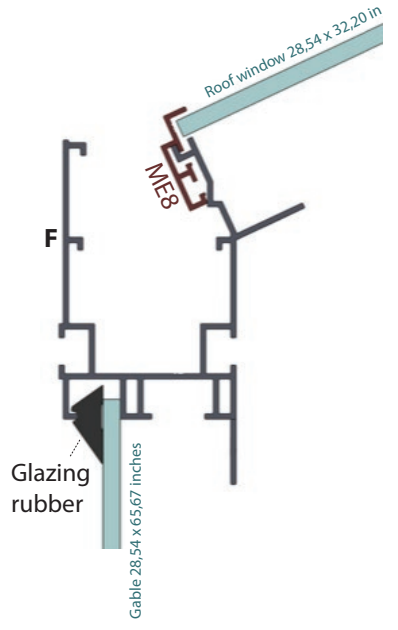
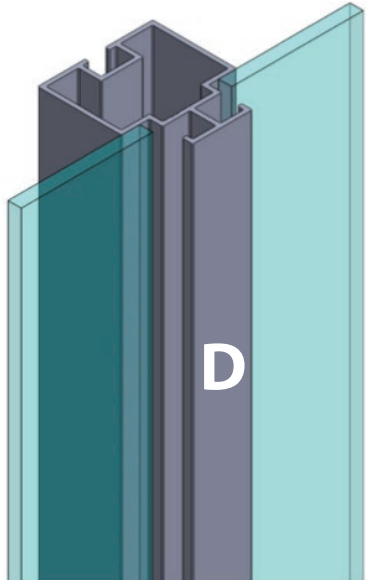
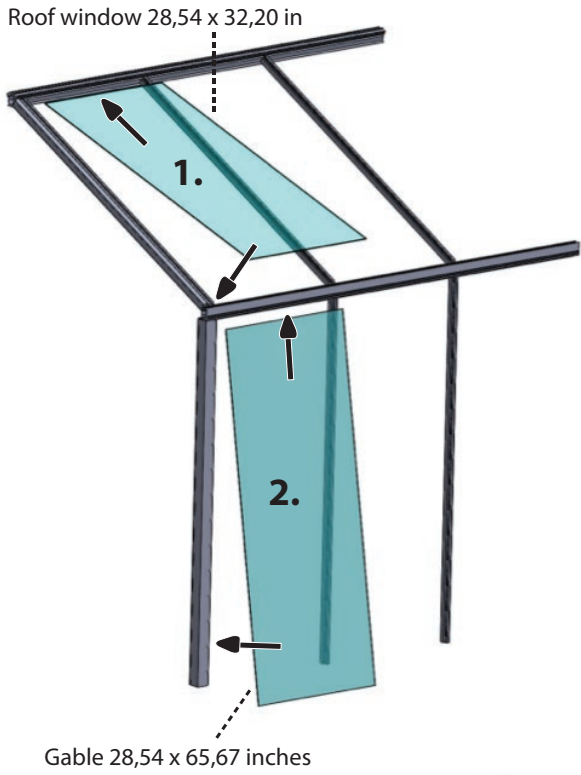


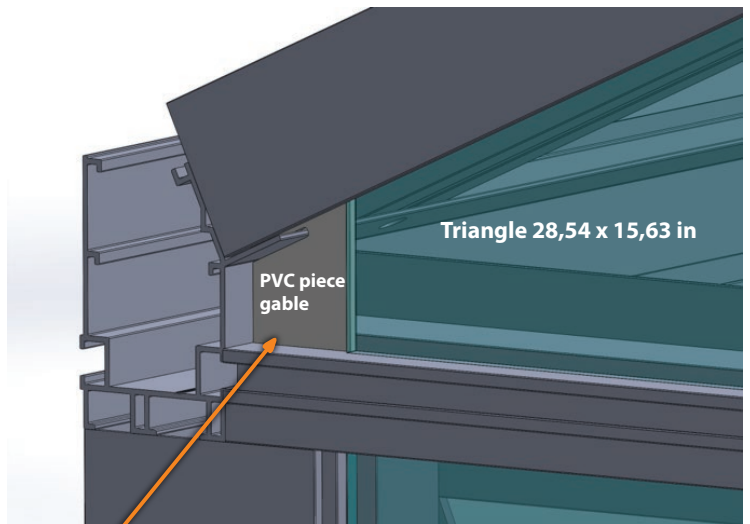
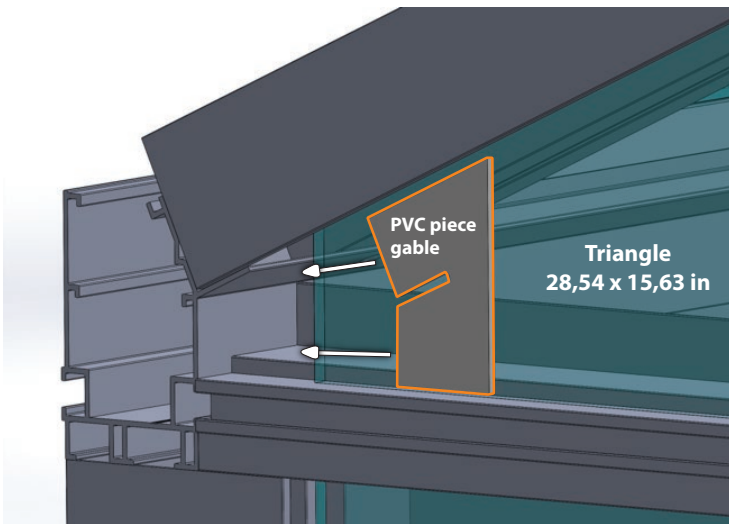
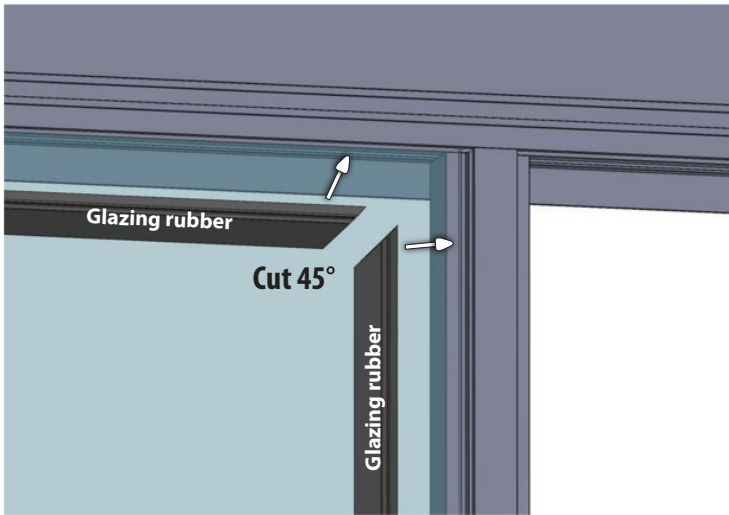
Attach to the wall with screws



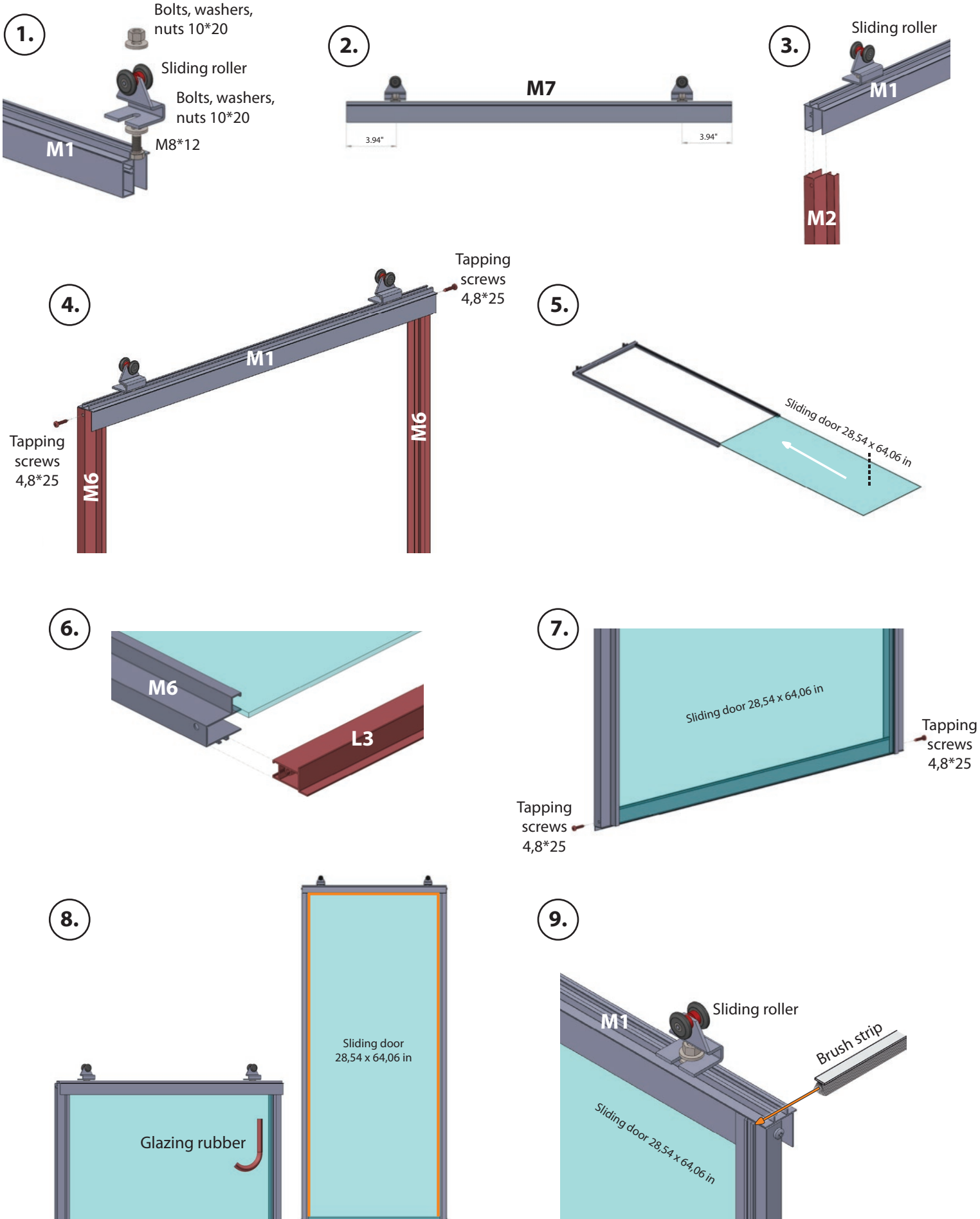


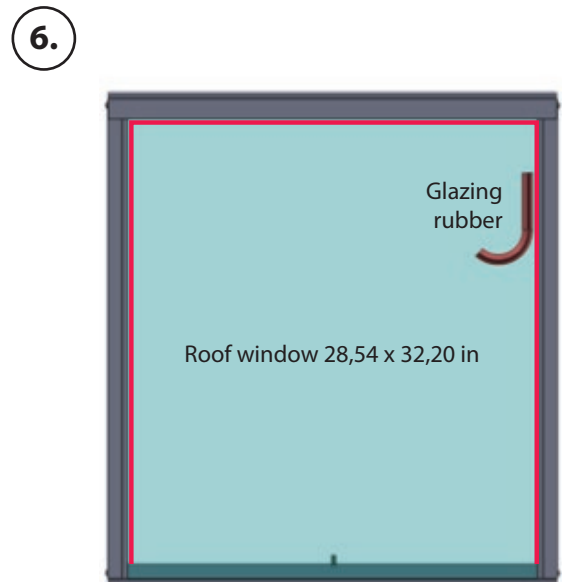
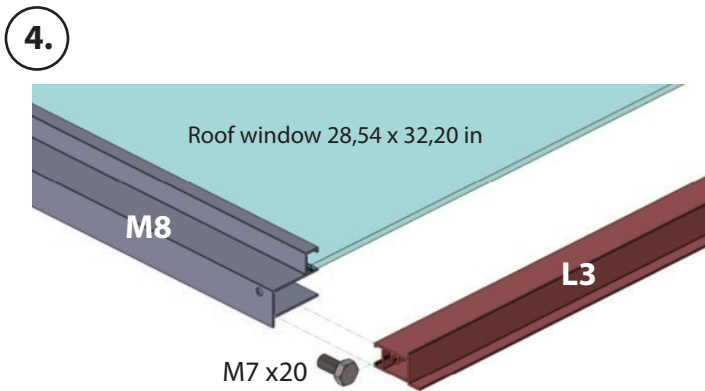
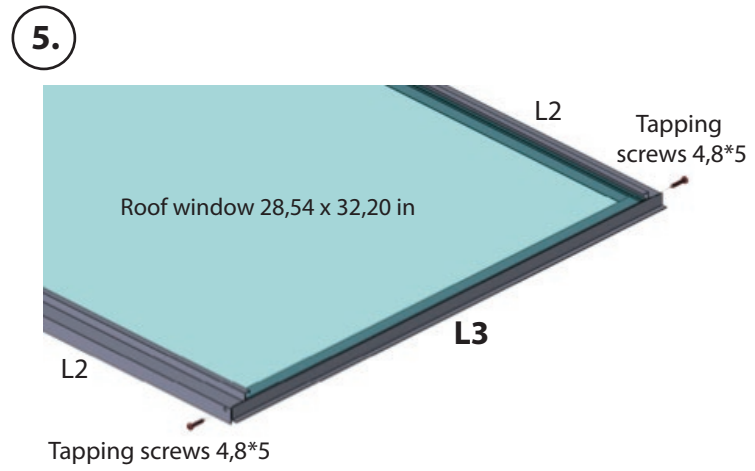
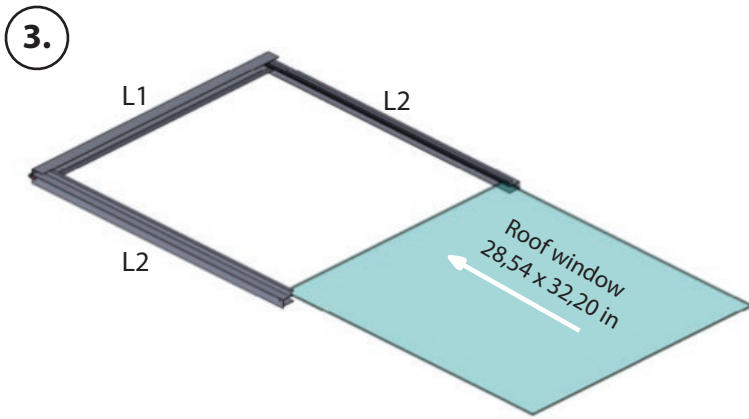




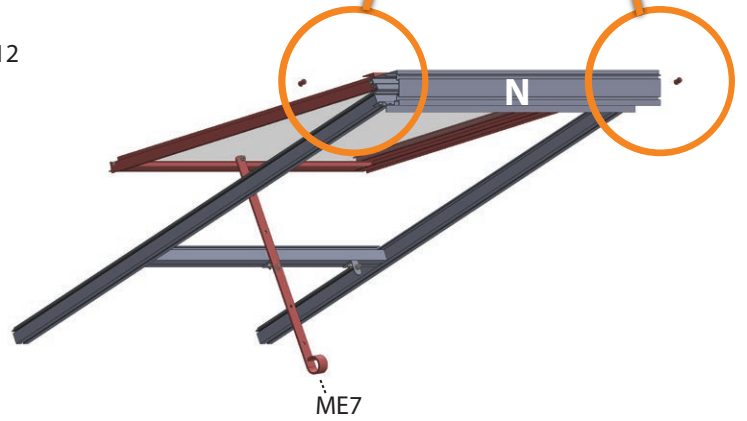
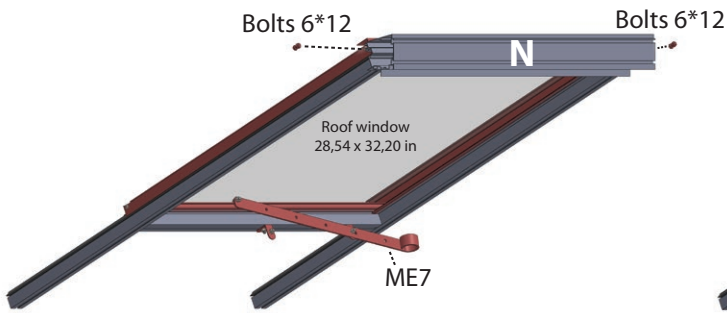
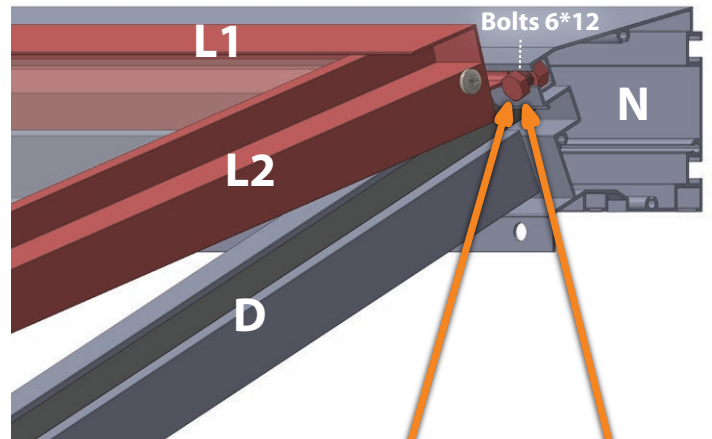
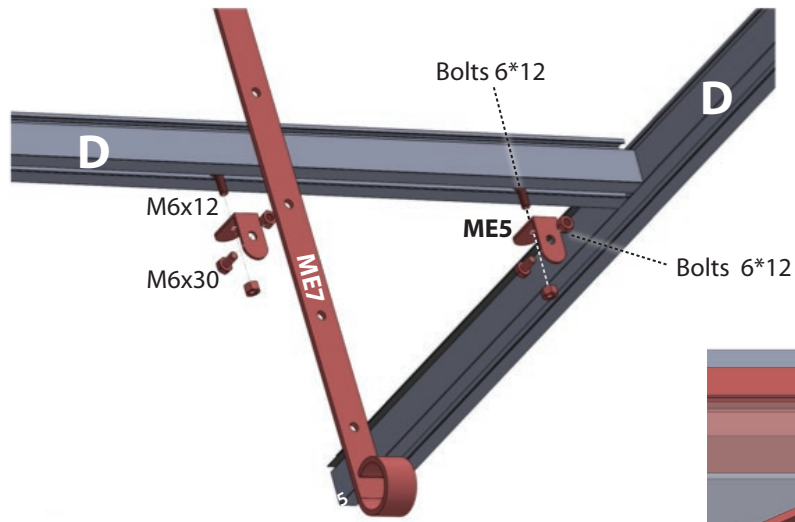


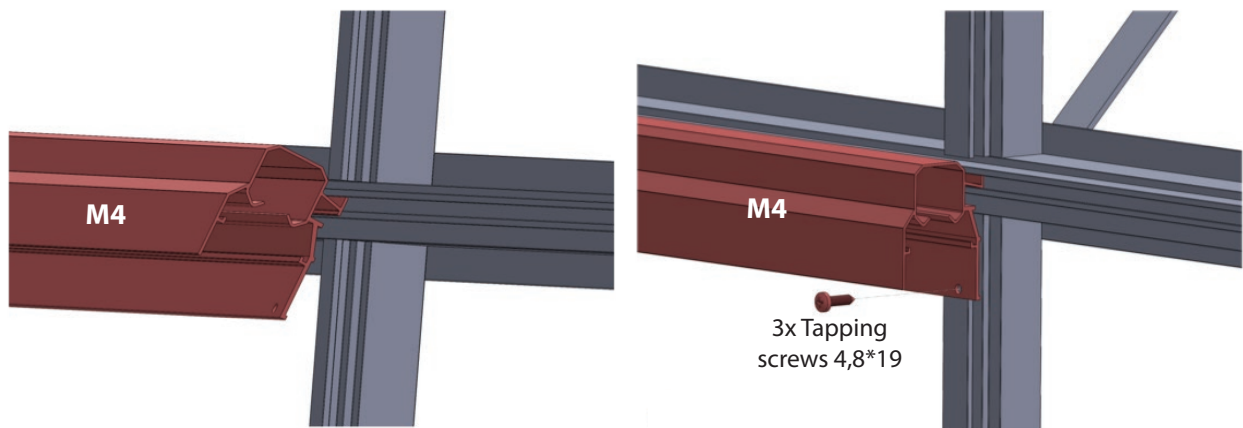
Silicone



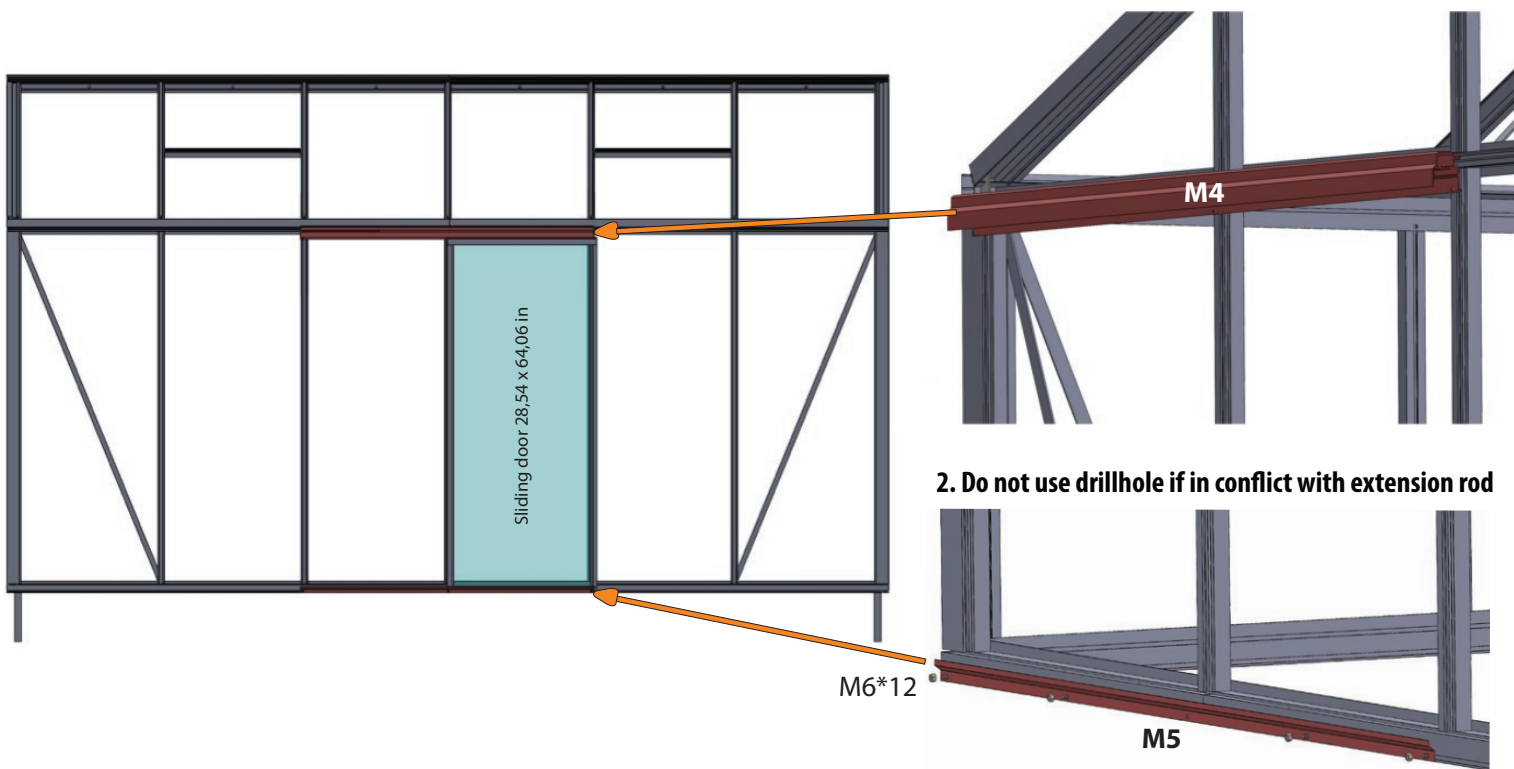
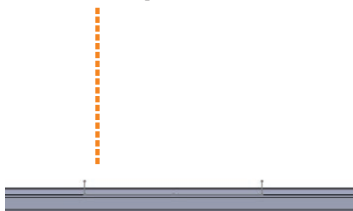


Screw for manual window opener

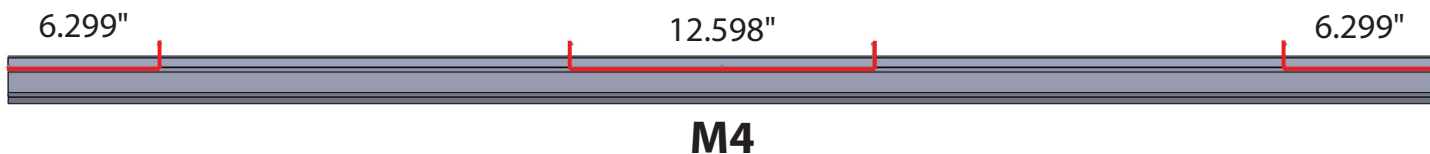


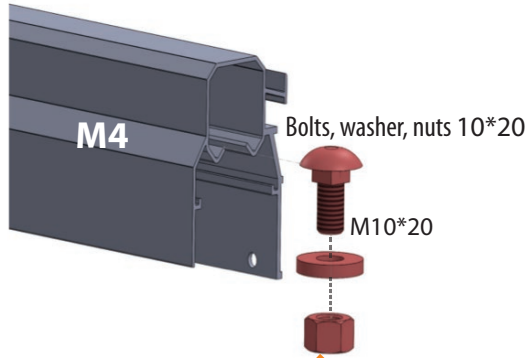
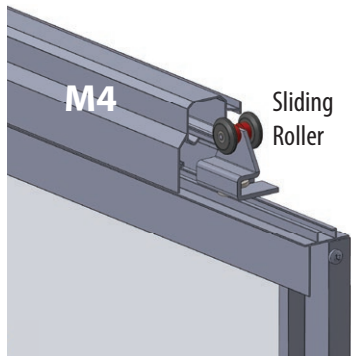


1. If in conflict with extension rod, cut out part here

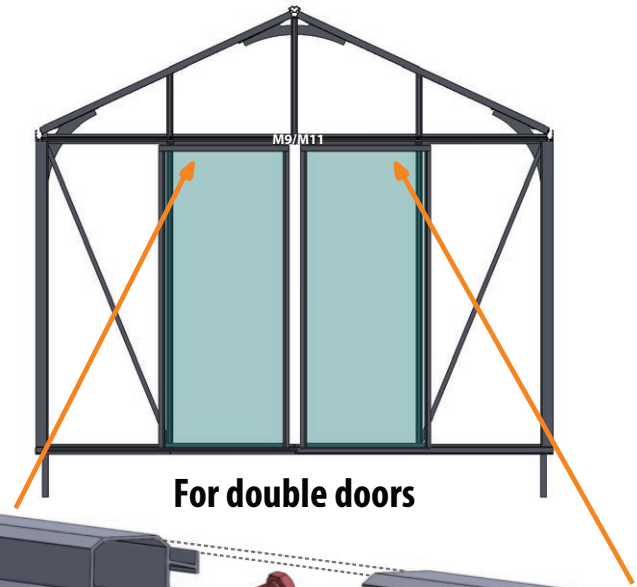
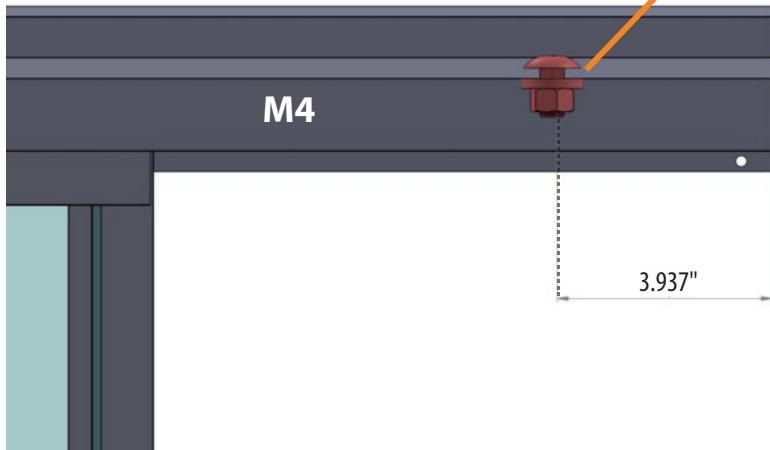


2. Do not use drillhole if in conflict with extension rod

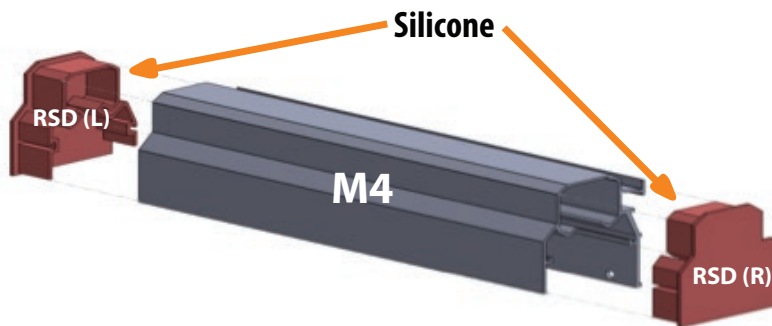
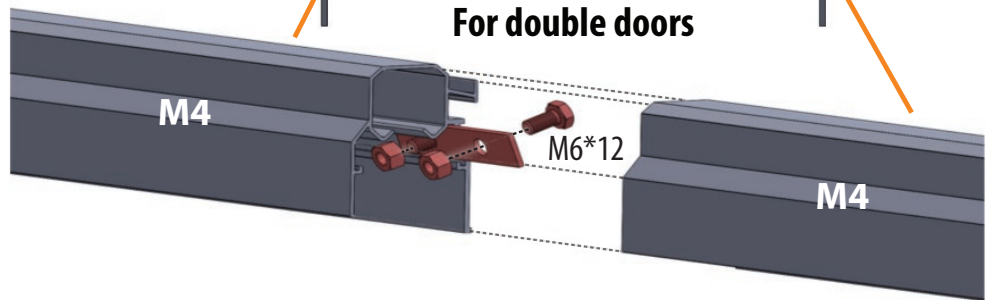




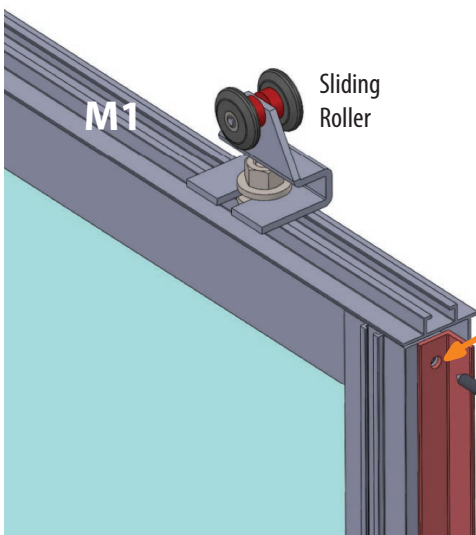
Insert doors into door profile and add stoppers



For double doors

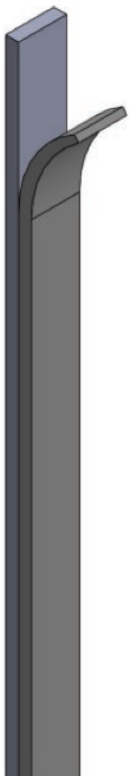
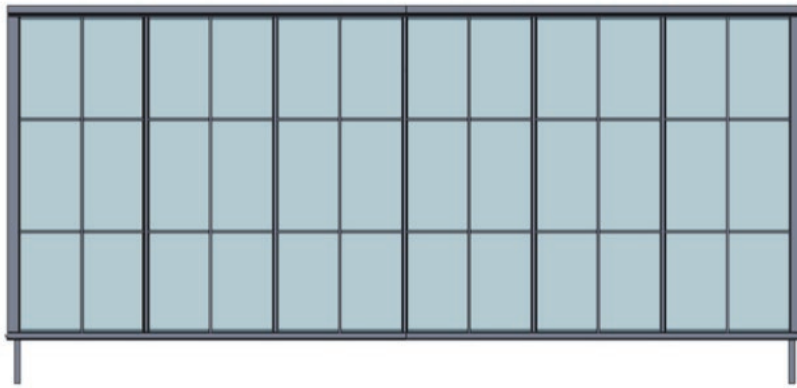
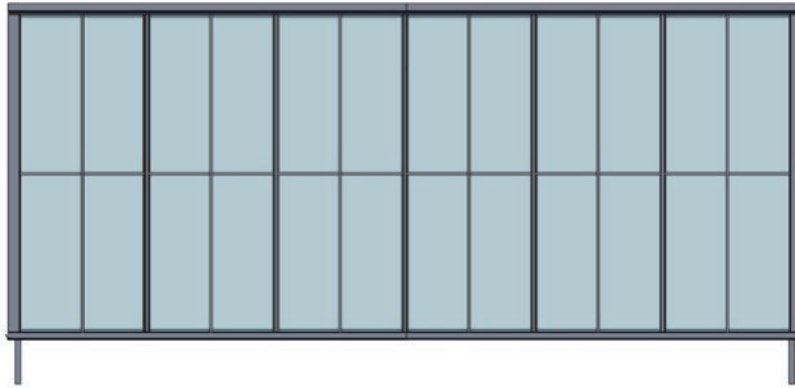


For double doors install 1 extra L profile

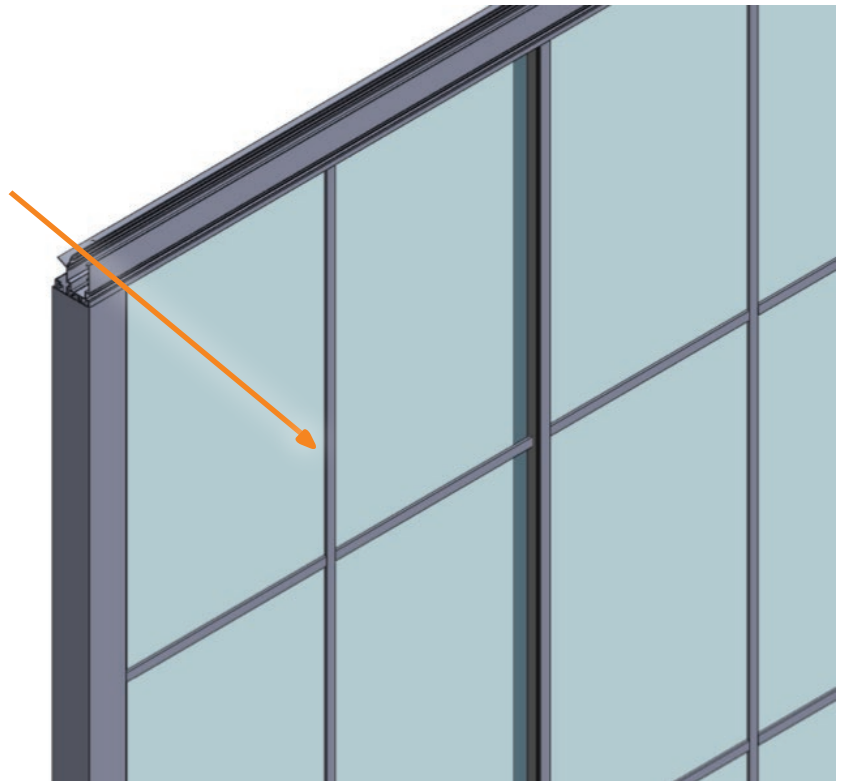


4 x Tapping screws 4,8*25

Optional



Glue to the window



NOTE! If extra screw needed (for accessories after assembly):

1. Drill 10 mm hole at profile in neutral position
2. Insert screw
3. Place screw where needed

