



# MINI

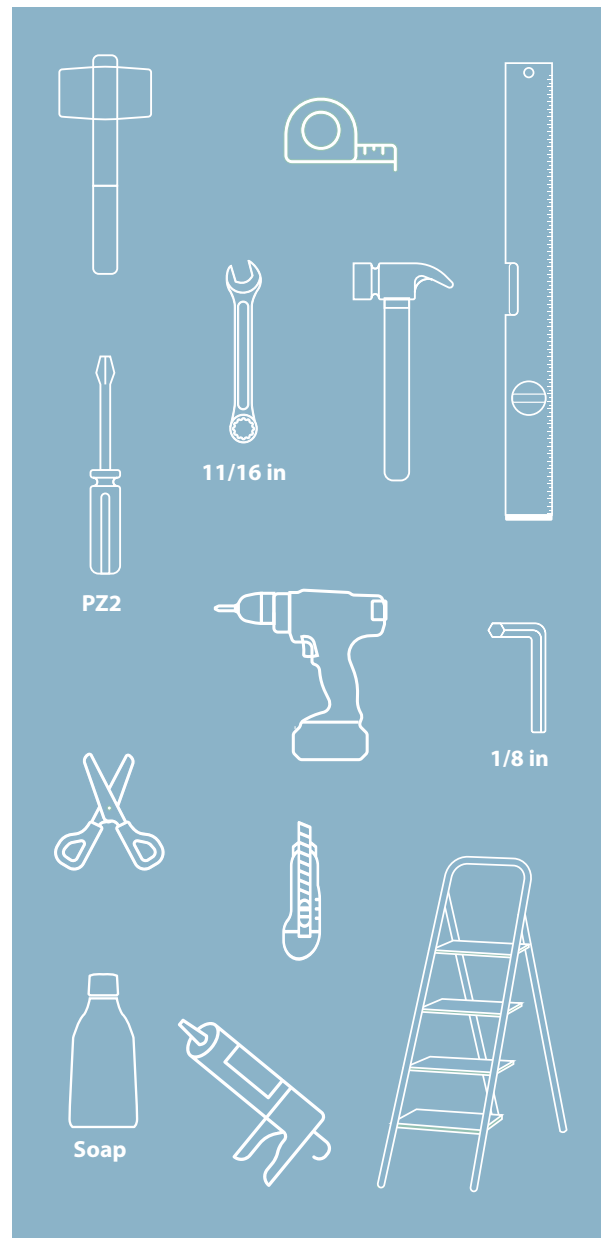
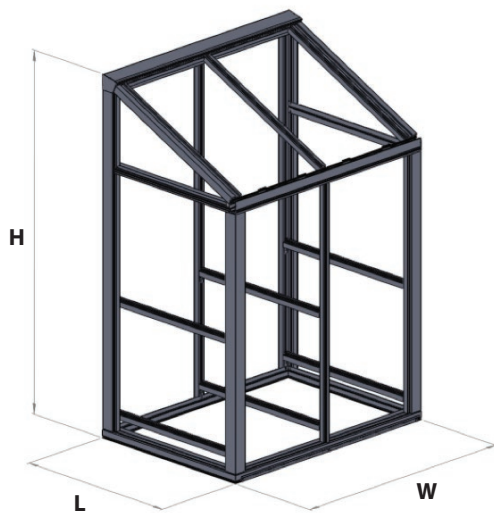


# ASSEMBLY INSTRUCTIONS

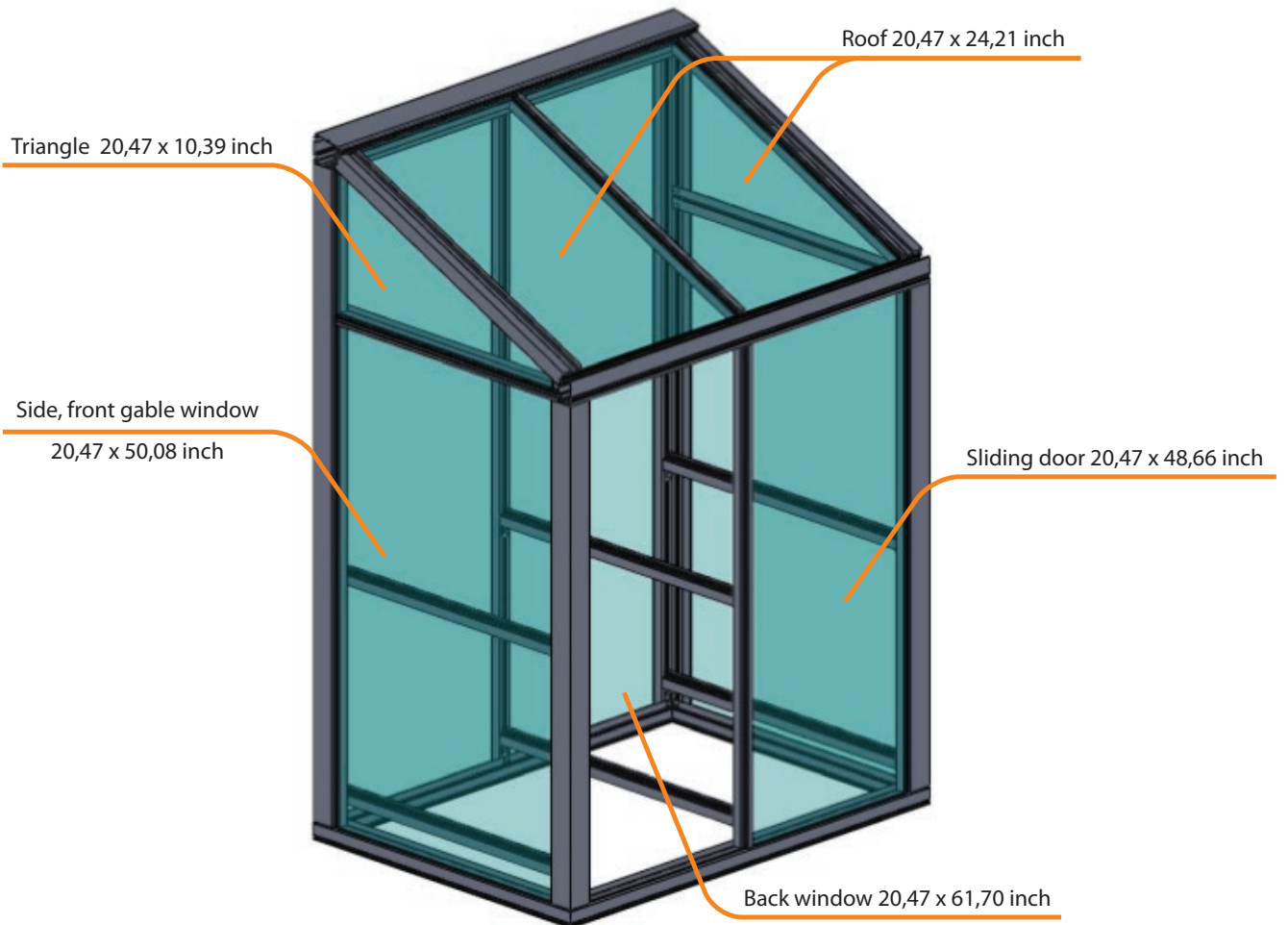
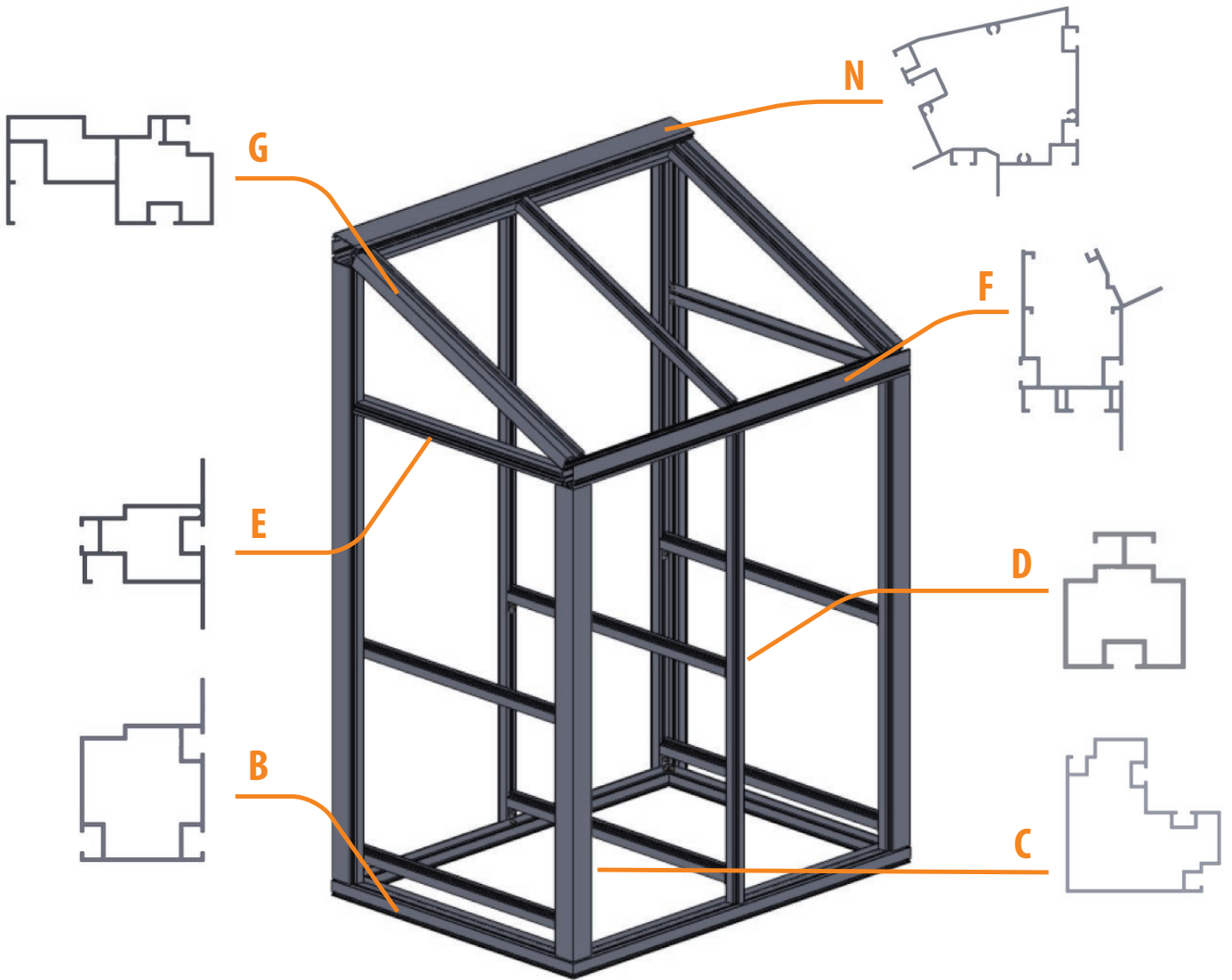
**Important:** Read the entire instruction before starting the assembly. Strictly follow all the instructions provided in this manual and carry out all of the stages of the installation process in the specified order. Failure to comply with these rules may lead to incorrect fitting of the decorative laths and the occurrence of visual defects. The warranty certificate is void if it is found that damage has been caused by incorrect installation. The base on which the product is to be installed must be flat and without significant differences in level. The product must be attached to the base. **Note:** Use lube for all screws to prevent them from breaking. Make sure that the greenhouse pallet cannot tip over and cause accidents. Make sure that the ground where you put the pallet is in level. Installing two ground spikes to the pallet will prevent it from tipping. Do not remove all the wooden rules inside the pallet. Only remove the ones that are necessary to access the part you need.

Installation requires at least 2 people.

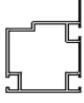

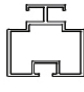
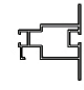
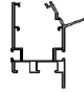







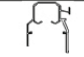



**NECESSARY TOOLS** – rubber mallet, measuring tape, spirit level, PZ2 screwdriver, wrenches 3/8 in, 1/2 in, and 11/16 in, cordless drill, 1/8 in hex key, utility knife, soap for rubber when oil is not enough, silicone gun and silicone, ladder.






















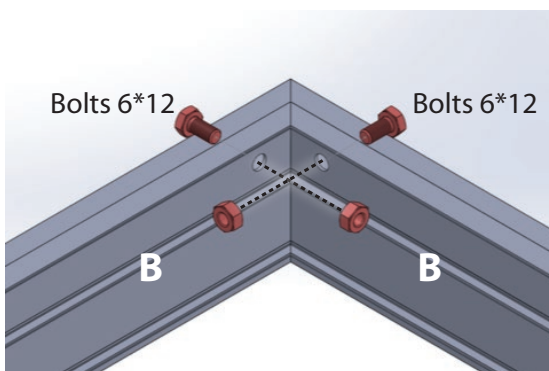
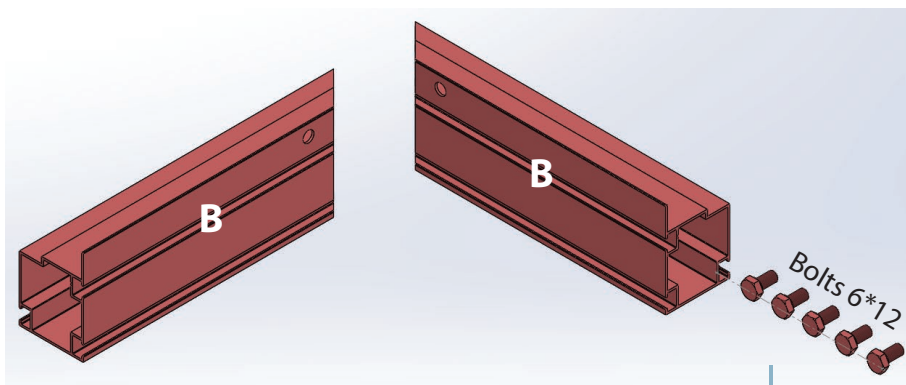
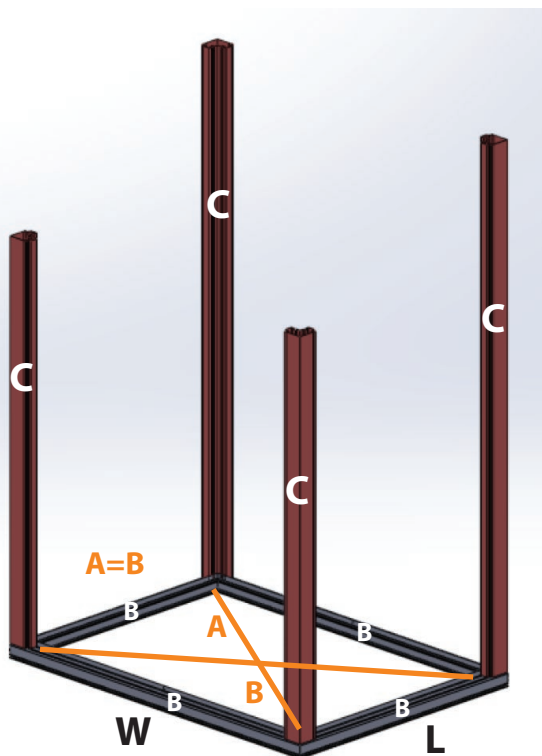
L (in)	W (in)	H (in)	Door / Side height (in)	Area (ft <sup>2</sup> )
25.91"	47.24"	66.02"	66.02"	7.97 ft <sup>2</sup>
	68.62"	66.02"	66.02"	11.52 ft <sup>2</sup>
	90.00"	66.02"	66.02"	15.07 ft <sup>2</sup>



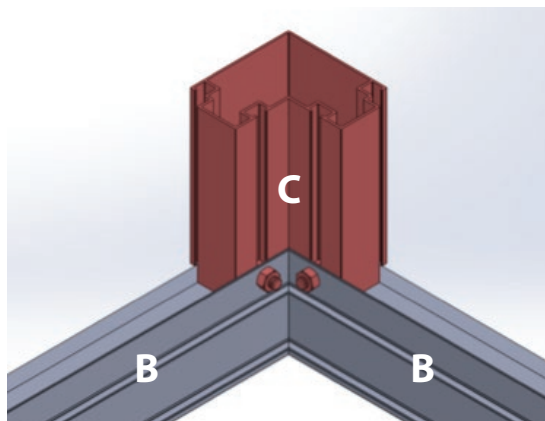
# CLASSIFICATION OF PARTS

Part description, code and size		47,24x25,90	68,62x25,90	90x25,90
		Size (inch)		
	B14	47,24	2	
	B19	25,91	2	2
	B16	68,62		2
	B17	90		2
	C19	49,72	2	2
	C21	61,26	2	2
	D19	22,76	6	8
	D17	23,78	1	2
	D15	49,72	1	2
	D18	61,26	1	2
	E9	21,34	1	1
	E10	21,34	1	1
	F9	47,17	1	
	F10	68,54		1
	F11	89,92		1
	G4	23,78	2	2
	N8	47,17	1	
	N9	68,54		1
	N10	89,92		1
	L4	22,64	1	1
	M7	22,64	1	1
	M8	48,78	2	2
	M9	45,28	1	1
	M10	45,28	1	1
	M11	89,92	0	0
	M12	89,92	0	0
	M13	49,41	1	1
	ME5	1.38 x 1.38	12	16

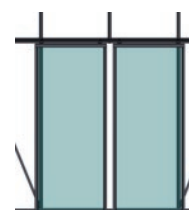
	ME8	2	4	6	8
	A2	0.59 x 0.59 x 48.78	0	0	1
	Glazing rubber (ft)		98	131	164
	Brush strip (inch)		100	100	200
	Down pipe bend 90° - Ø1,37 inch		1	1	1
	Sliding roller		2	2	4
	Bolts 6*12		50	60	70
	Nuts 6x1		50	60	70
	Bolts, washer, nuts 10*20		2	2	2
	Tapping screws 4,8*25		4	4	8
	Tapping screws 4,8*19		5	5	5
	Nut caps		50	60	70
	Gutter end incl. downpipe		1	1	1
	Gutter end		1	1	1
	Ridge end 1		1	1	1
	Ridge end 1		1	1	1
	Railends (L) sliding door		1	1	1
	Railends (R) sliding door		1	1	1
	PVC piece gable		2	2	2
<b>Glass</b>					
Side, front gable window 20,47 x 50,08 inch			2	2	2
Back window 20,47 x 61,70 inch			2	3	4
Sliding door 20,47 x 48,66 inch			1	1	2
Roof 20,47 x 24,21 inch			2	3	4
Triangle 20,47 x 10,39 inch			2	2	2

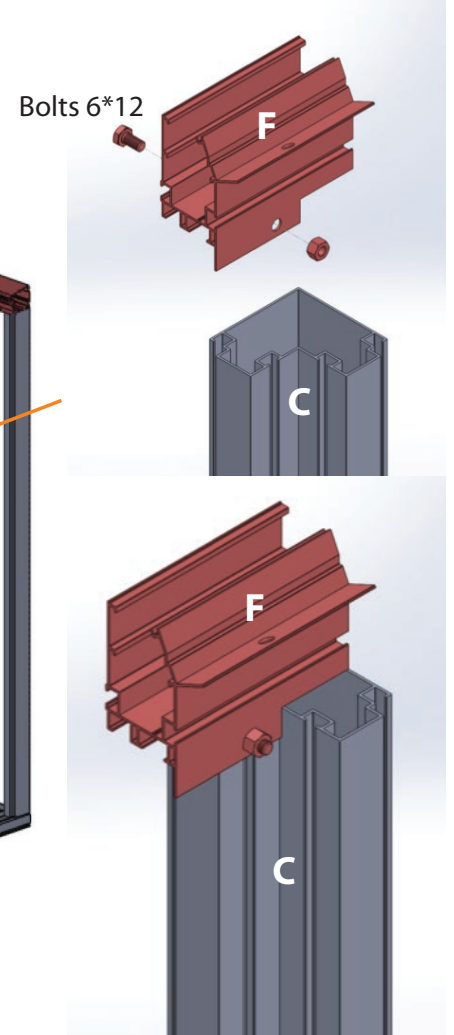
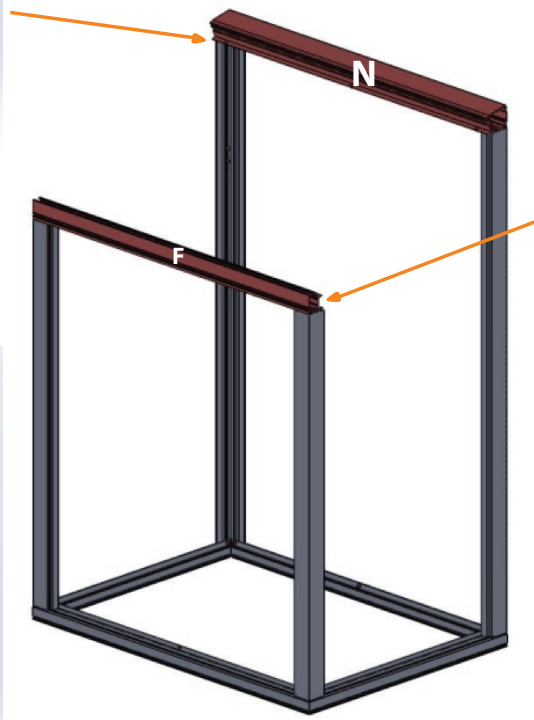
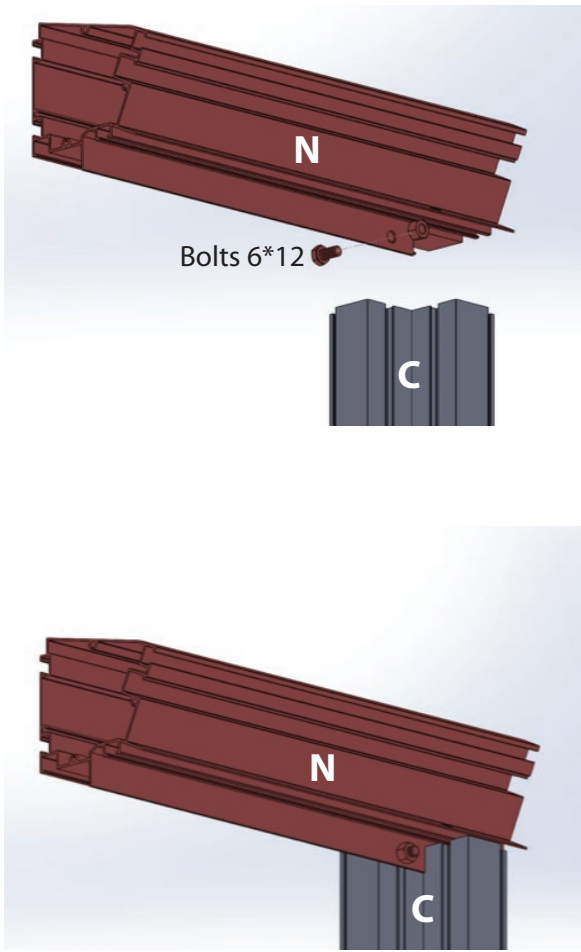


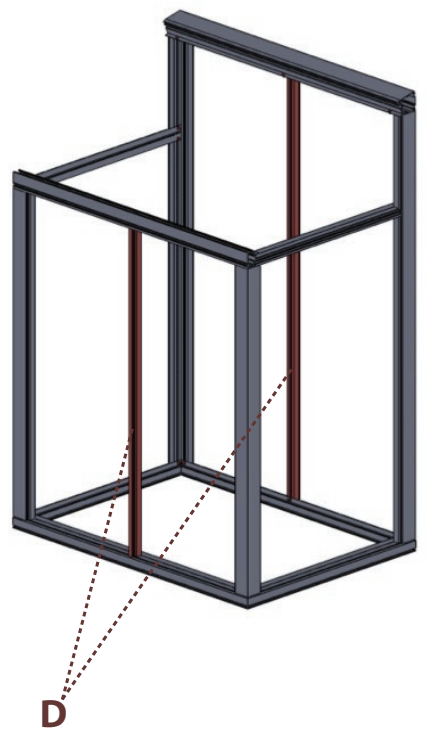
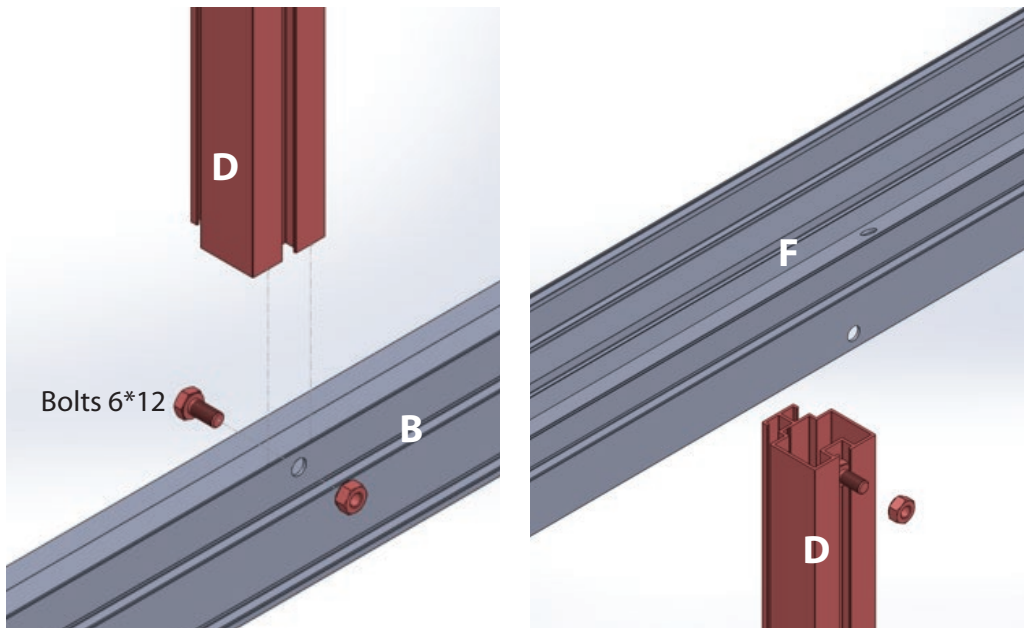
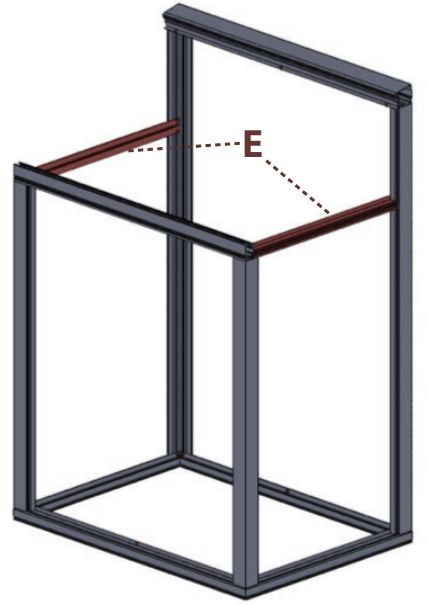
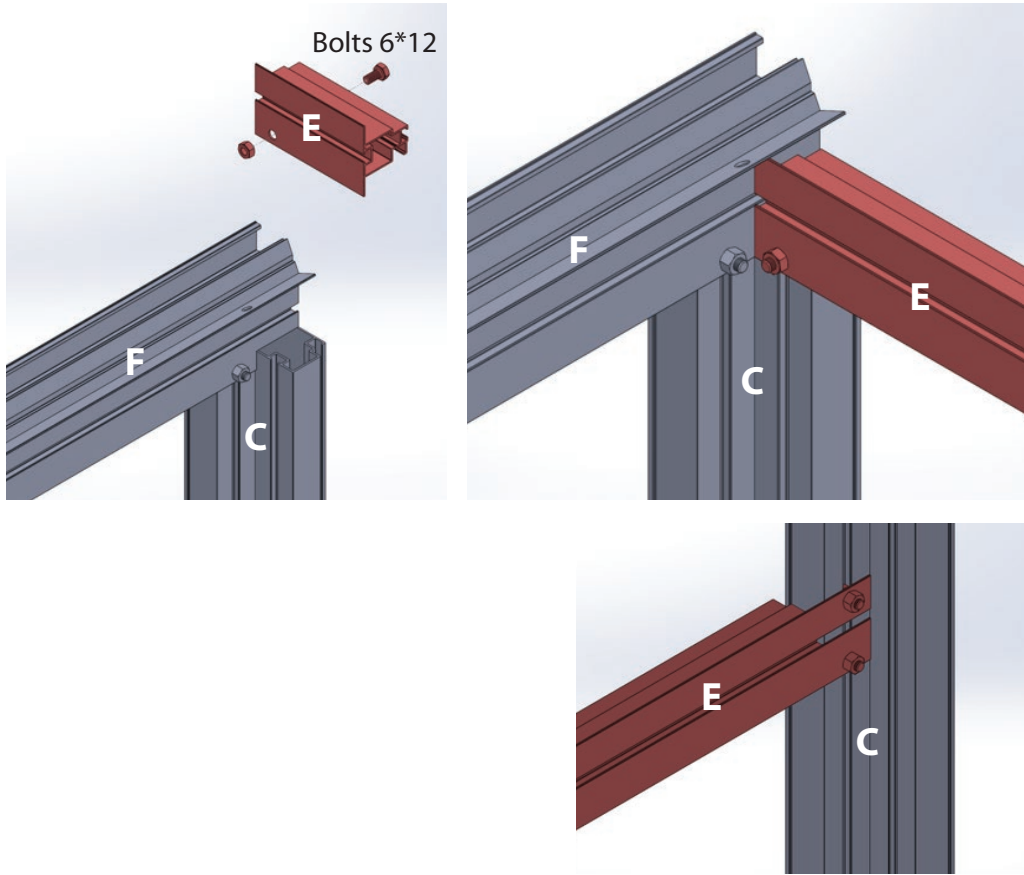
1 door = 5 x Bolts 6\*12

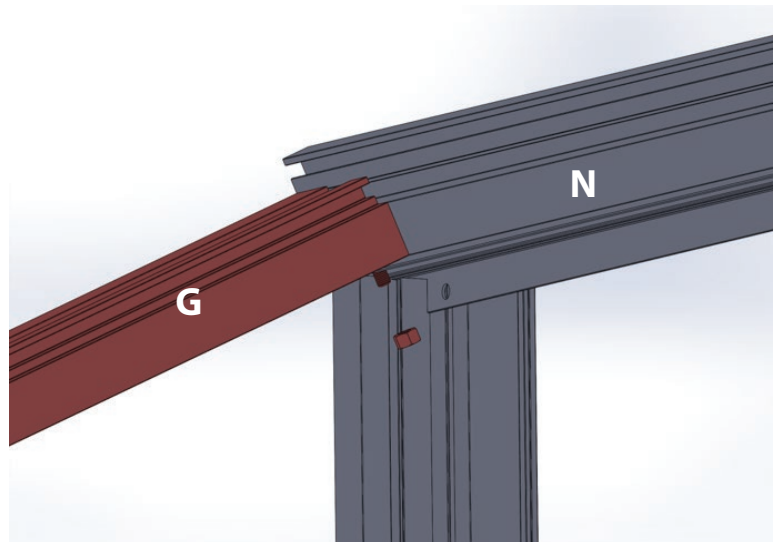
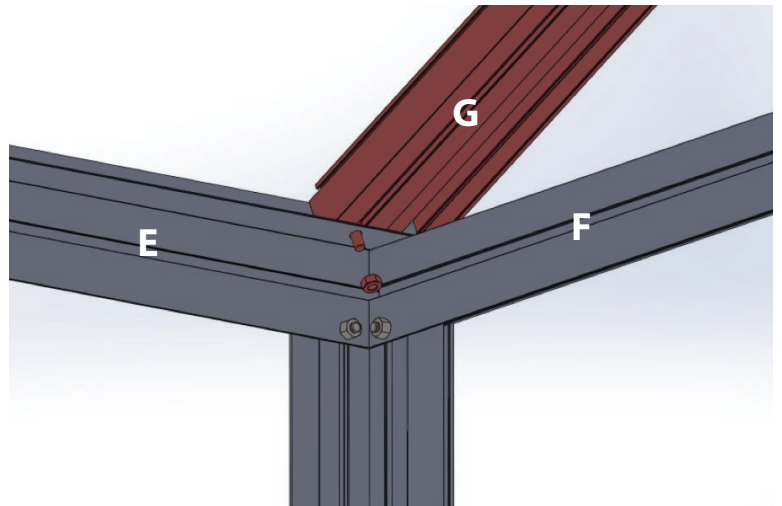
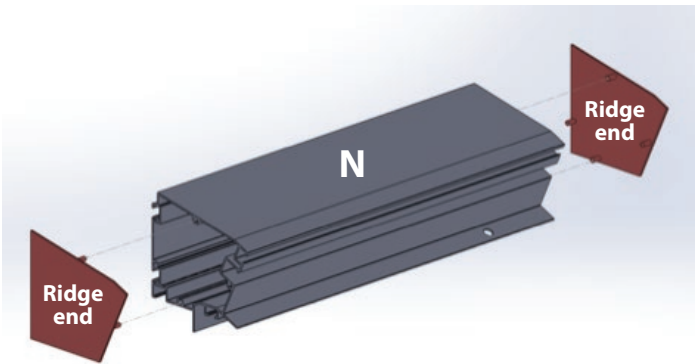
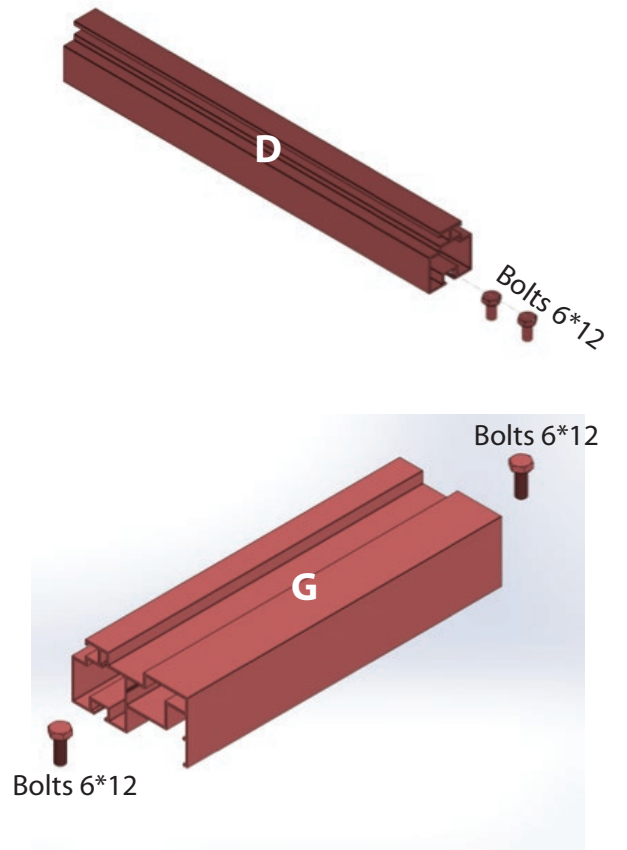
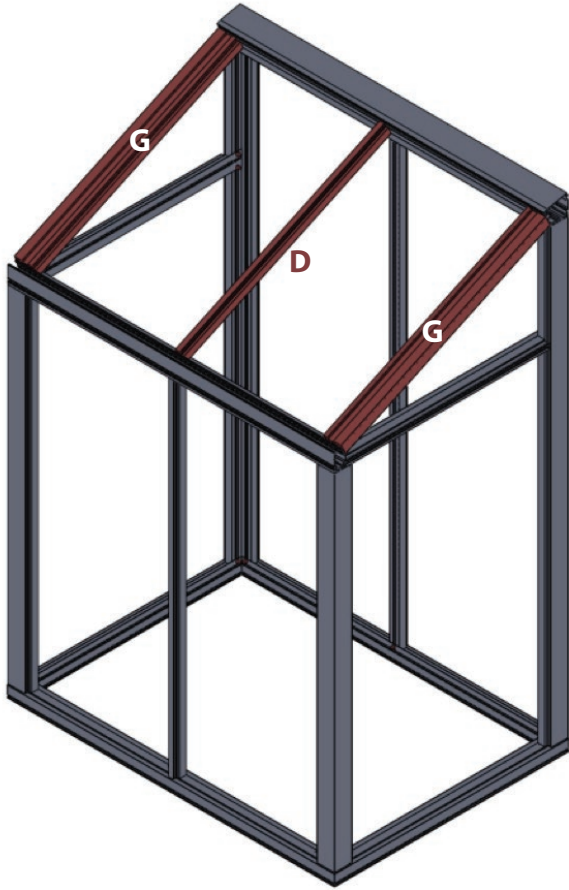


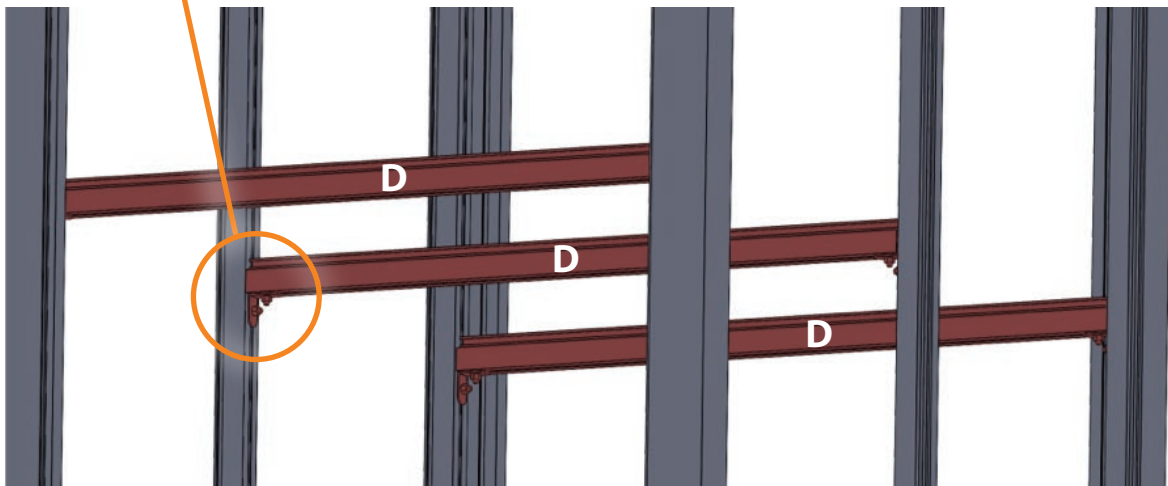
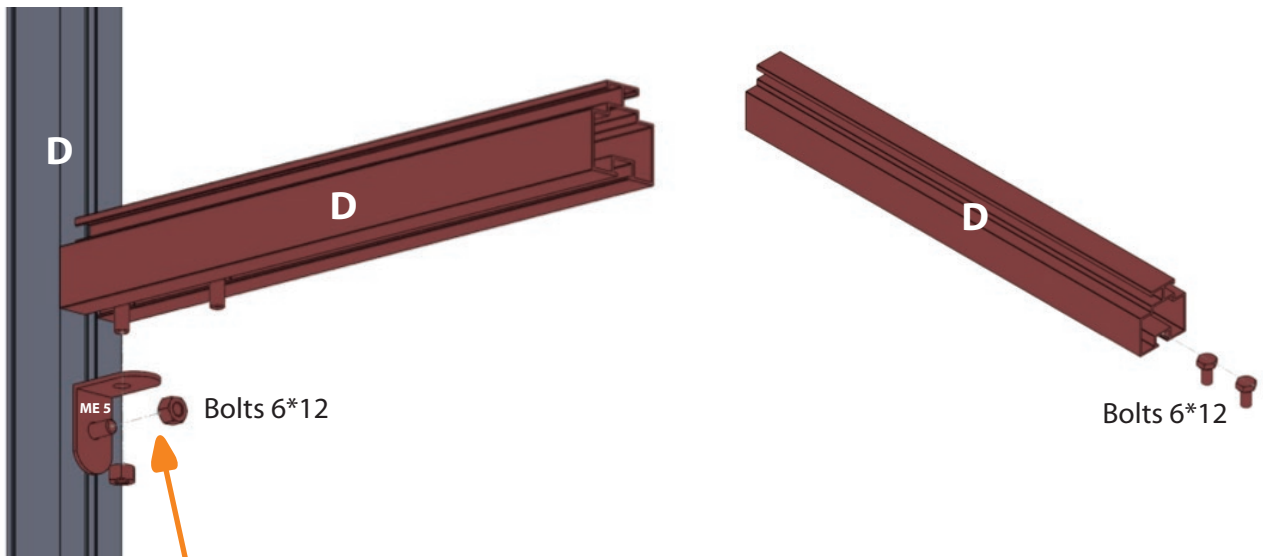
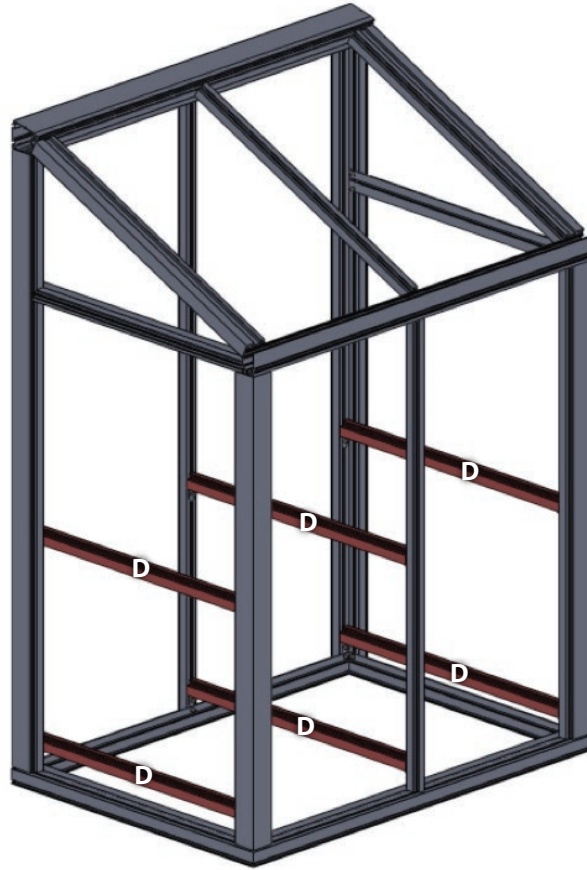
2 doors = 6 x Bolts 6\*12

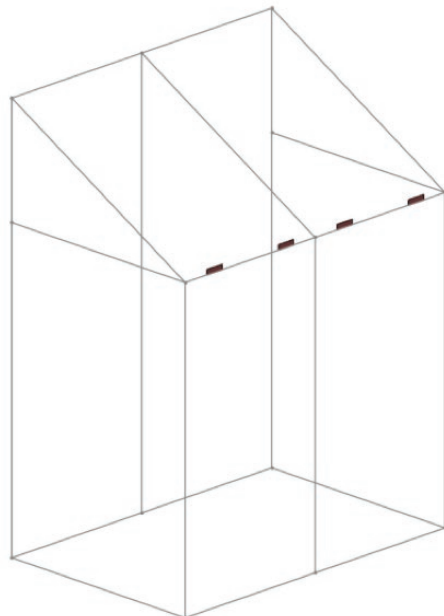
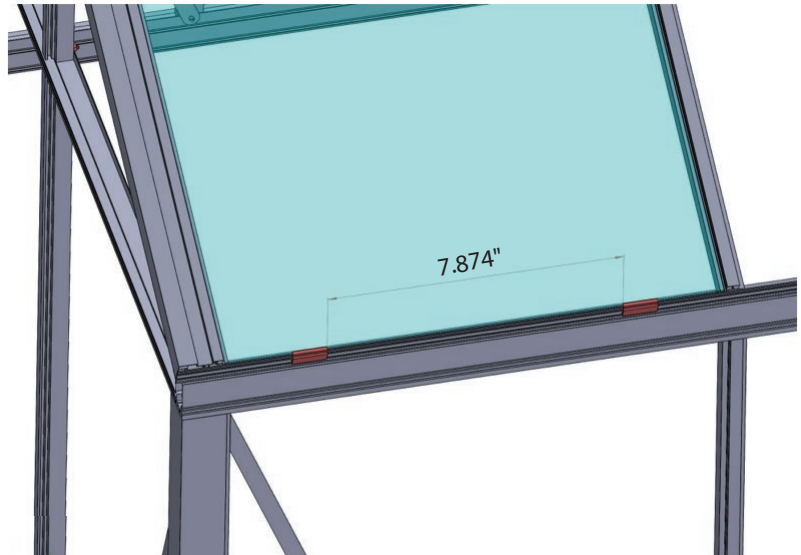
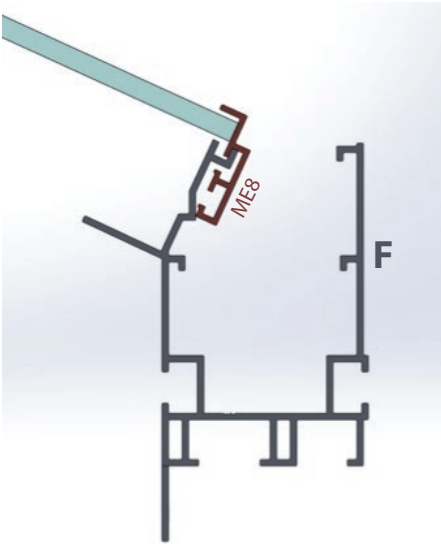
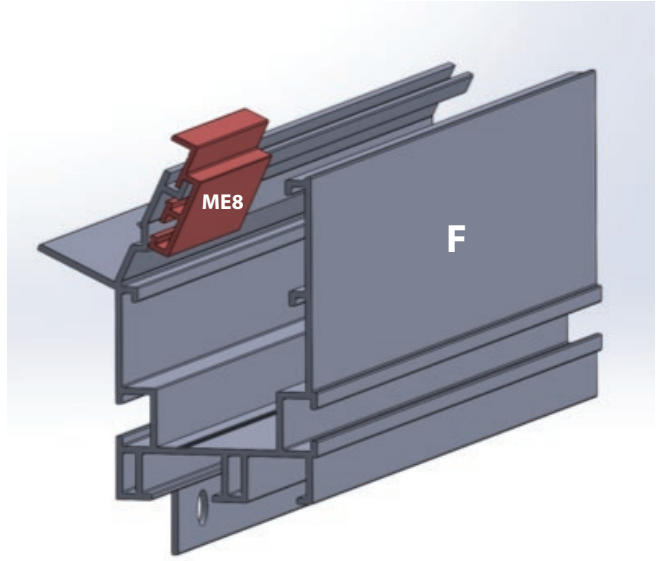
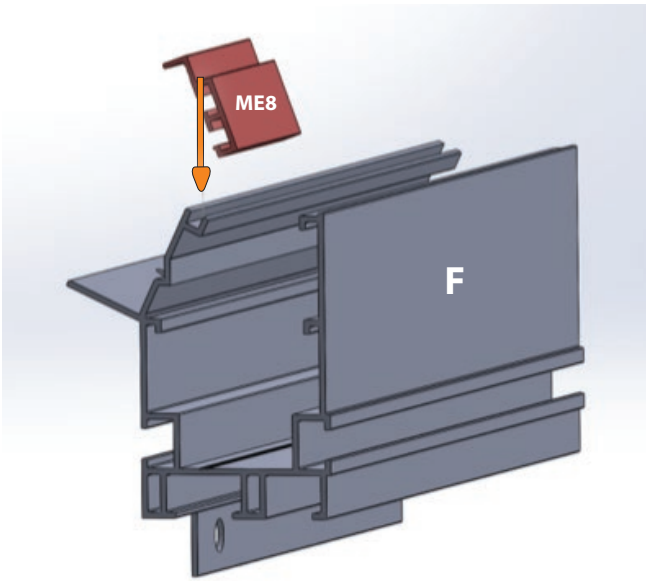


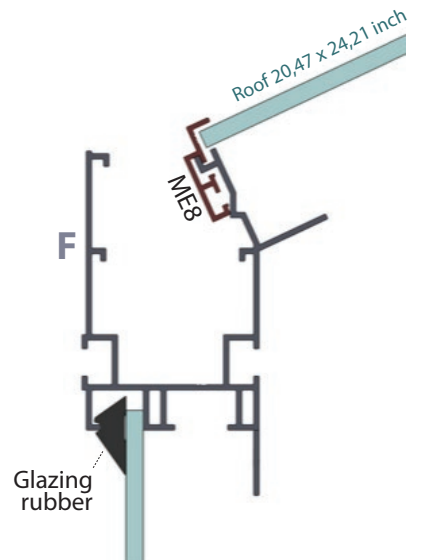
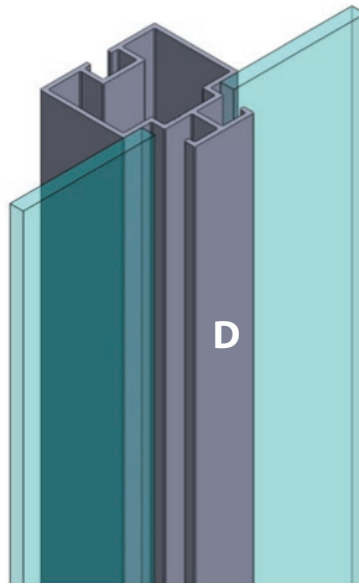




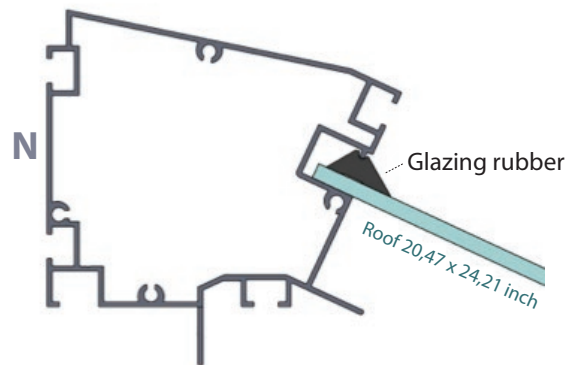
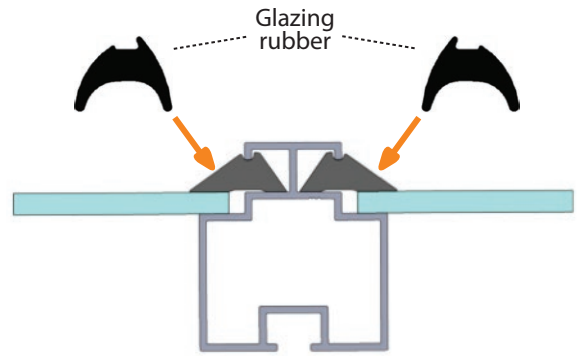


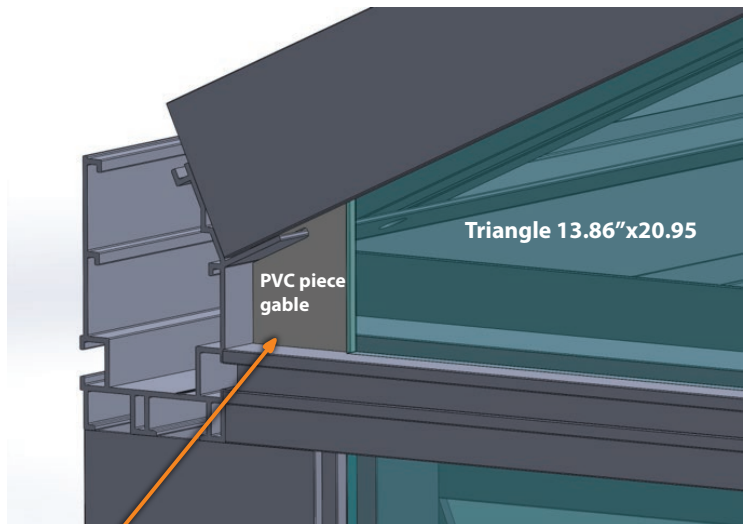
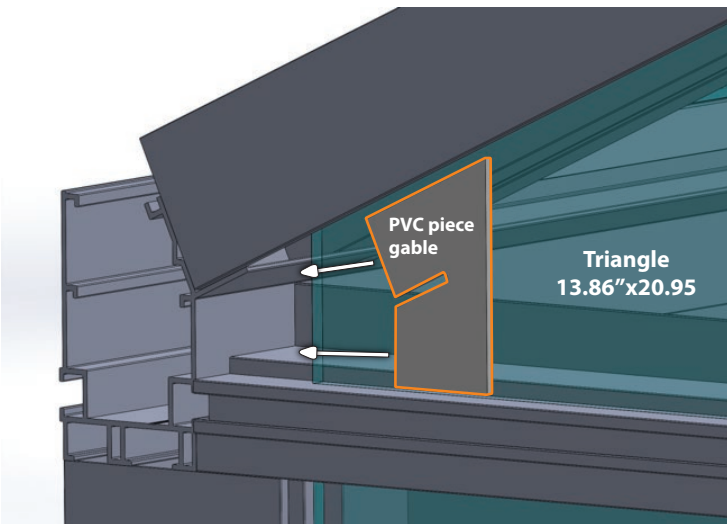
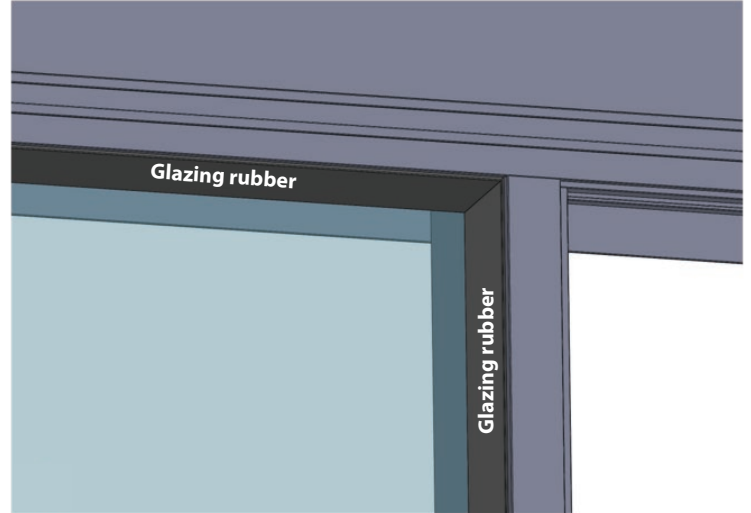
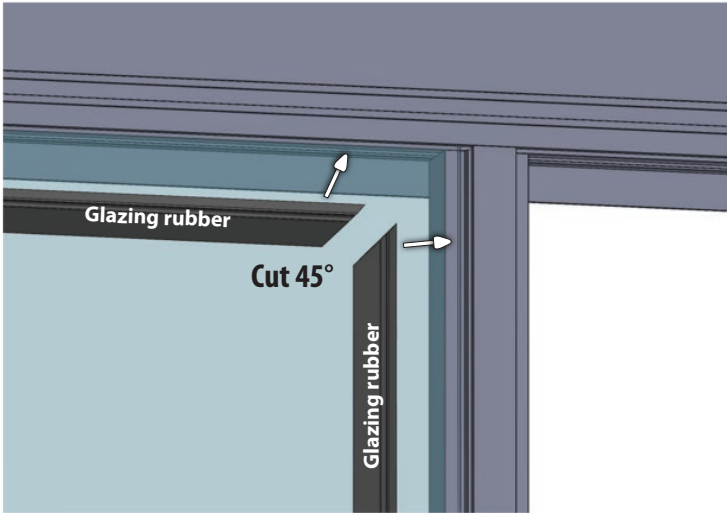




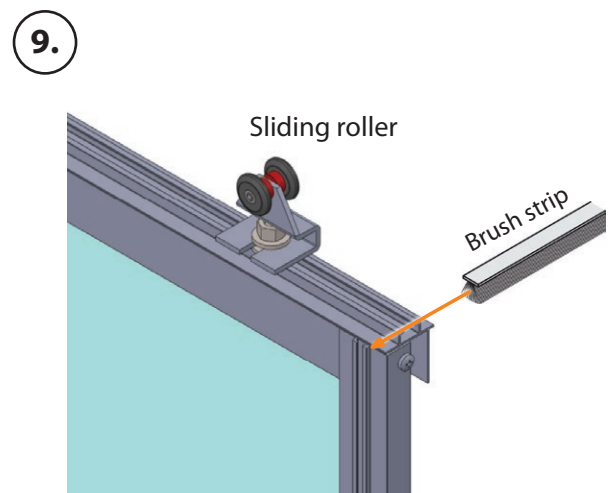
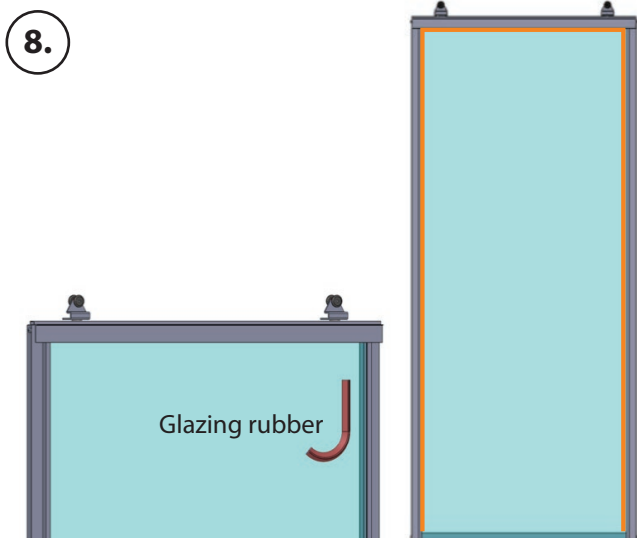
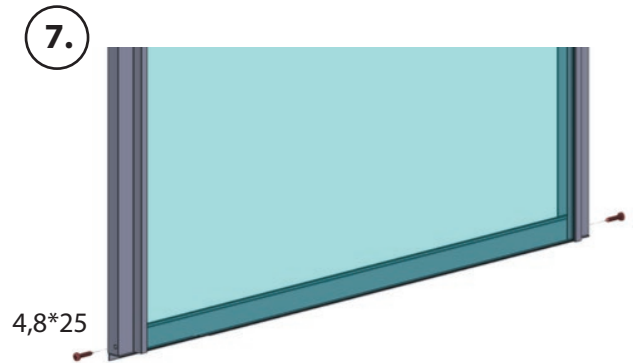
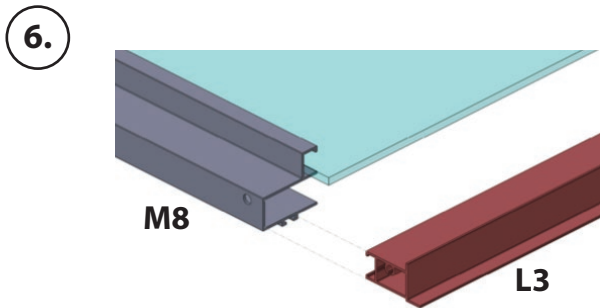
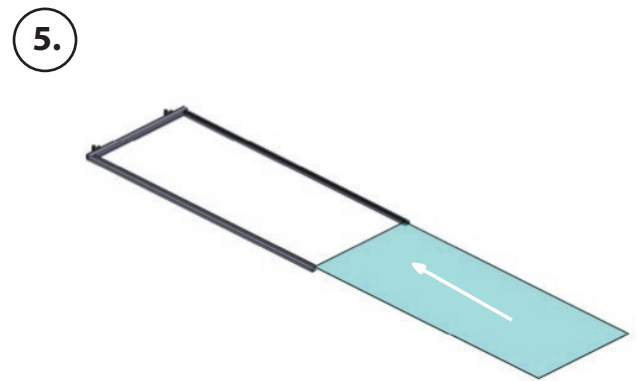
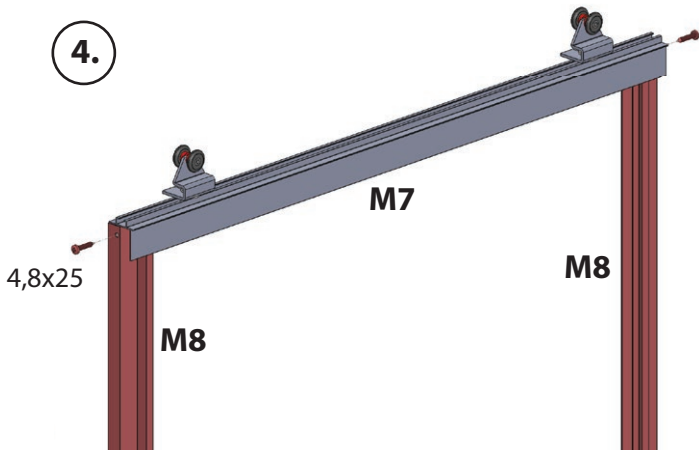
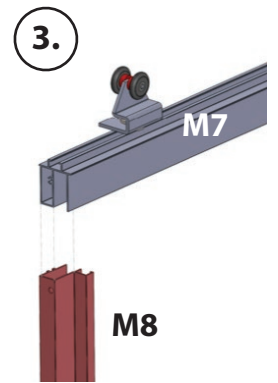
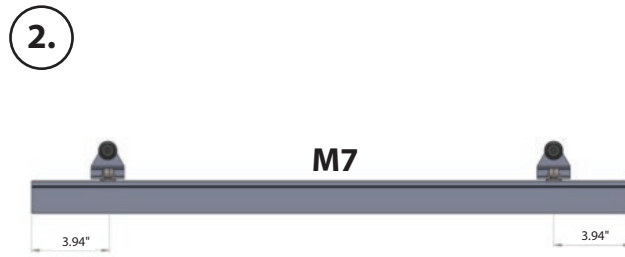
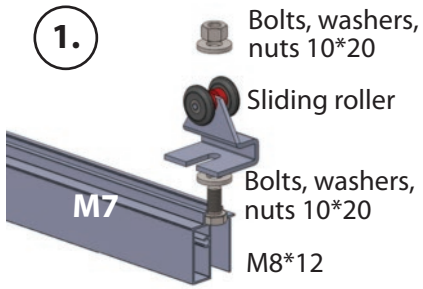


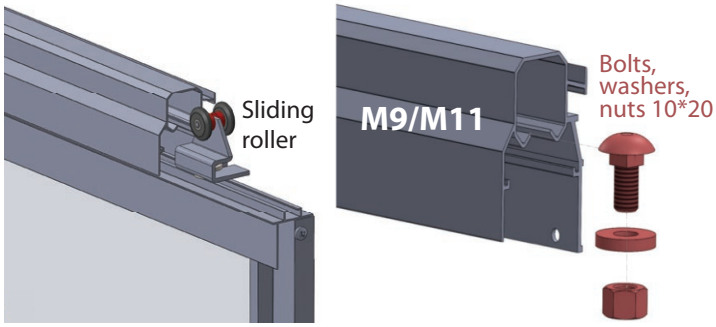
Rubber placement



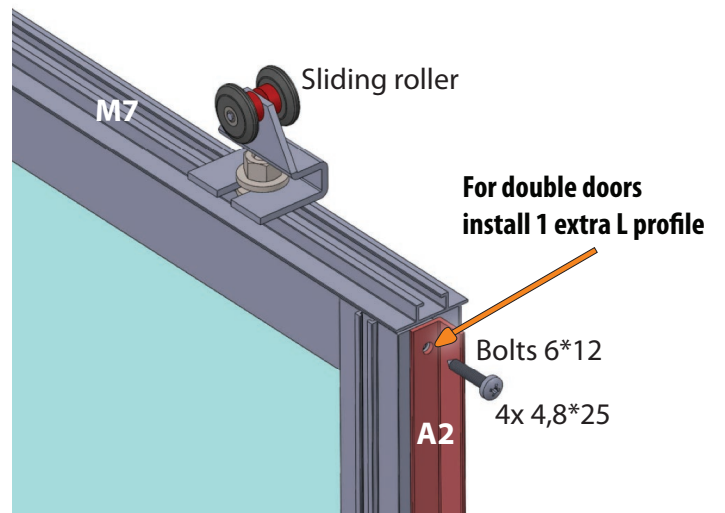
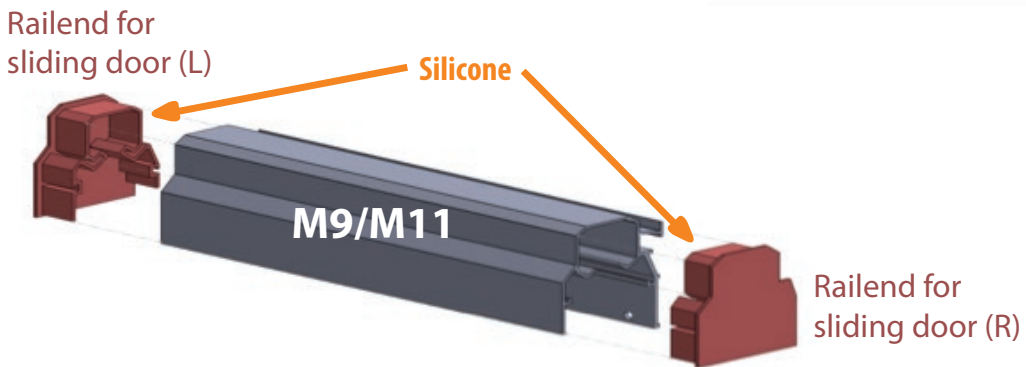
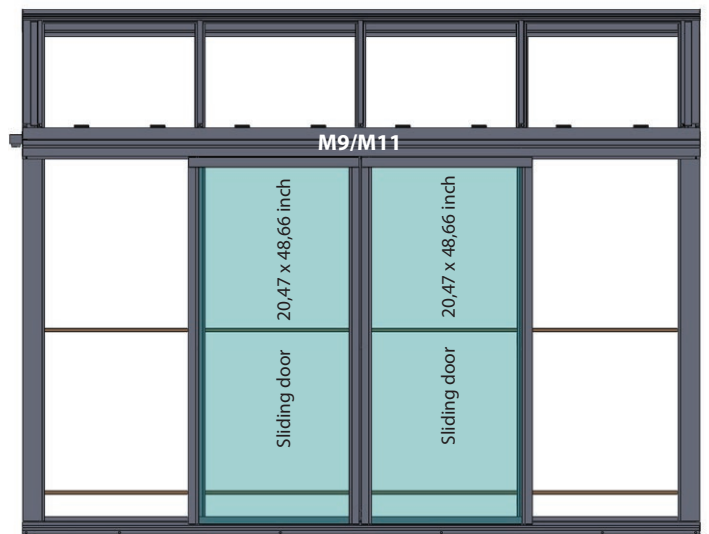
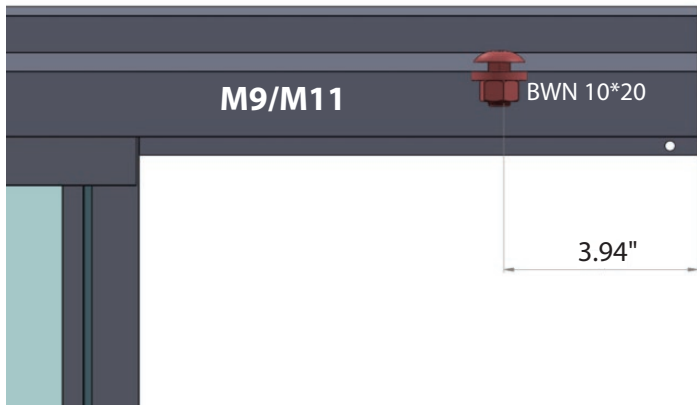


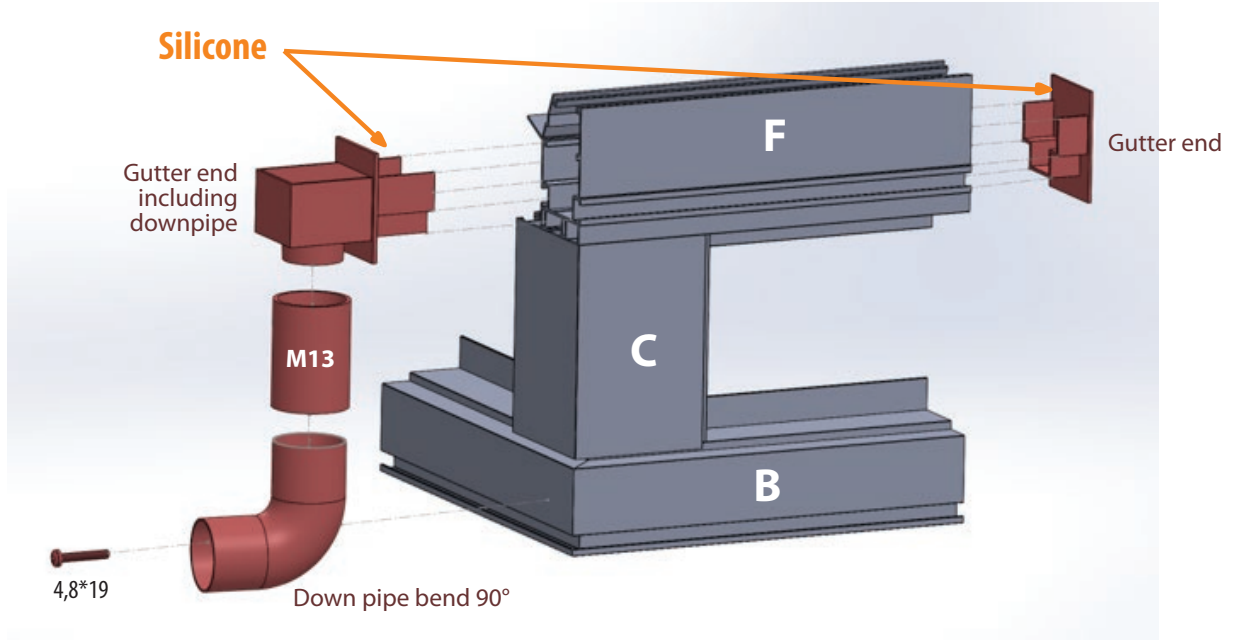
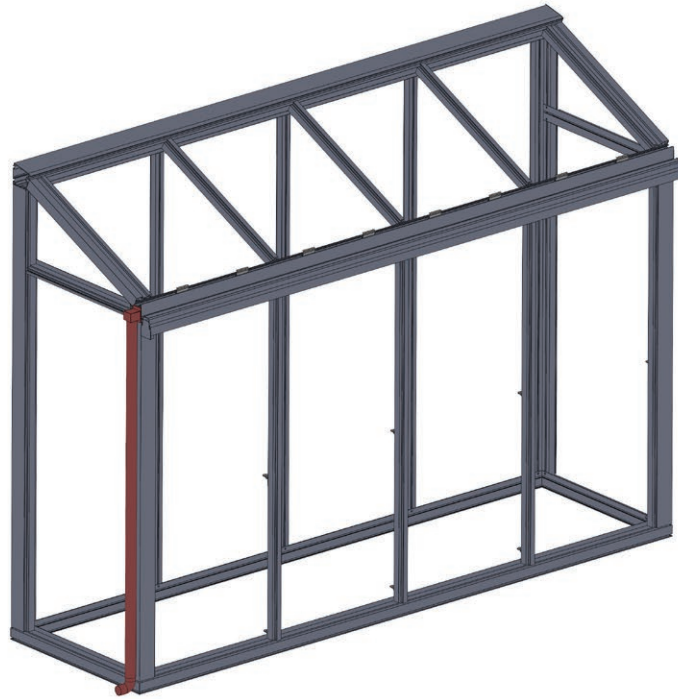
Silicone





## Insert doors into door profile and add stoppers





## NOTE! If extra screw needed (for accessories after assembly):

1. Drill 10 mm hole at profile in neutral position
2. Insert screw
3. Place screw where needed

