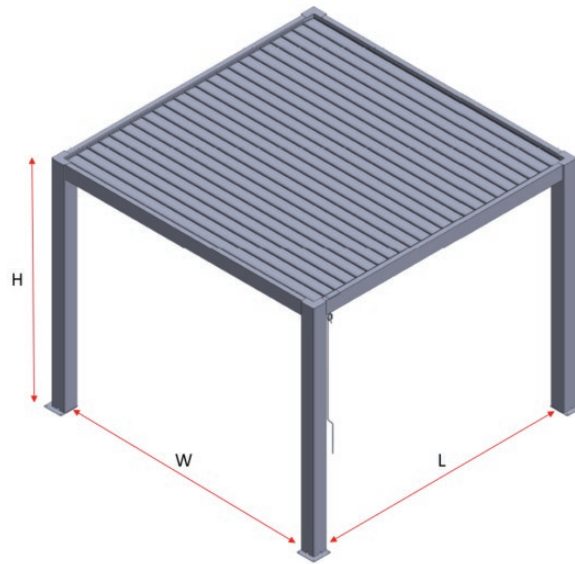
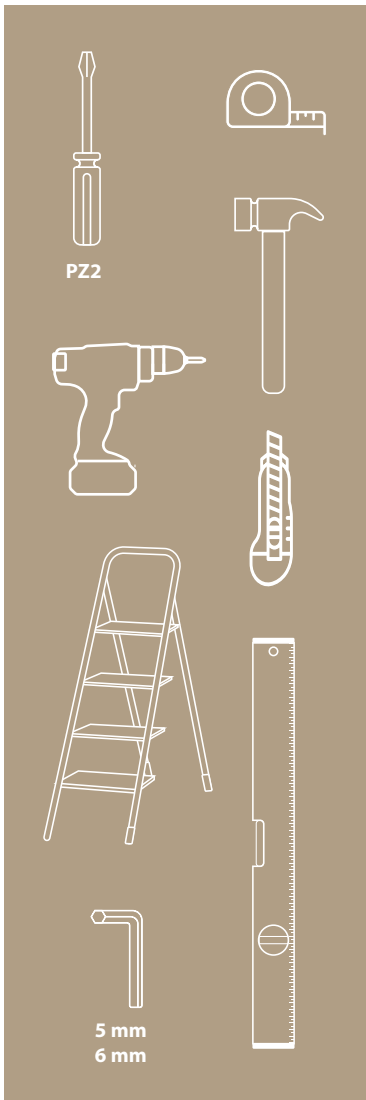




# PERGOLA





W (mm)	L (mm)	H (mm)
3048	3048	2500
3048	4048	2500
3048	5048	2500
3048	6048	2500
4048	4048	2500
4048	5048	2500
4048	6048	2500

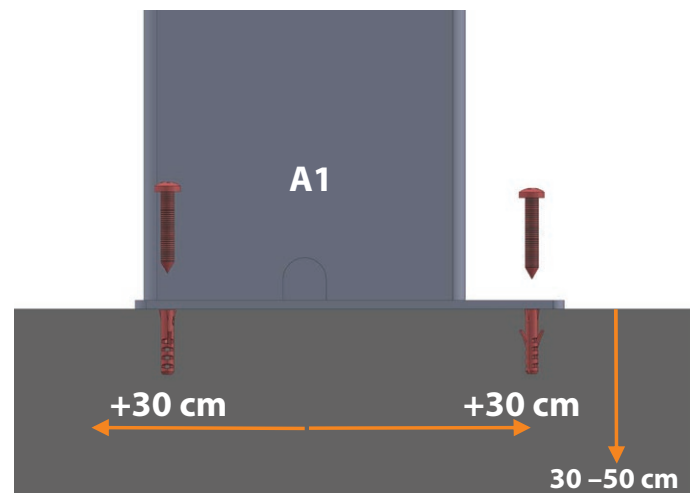
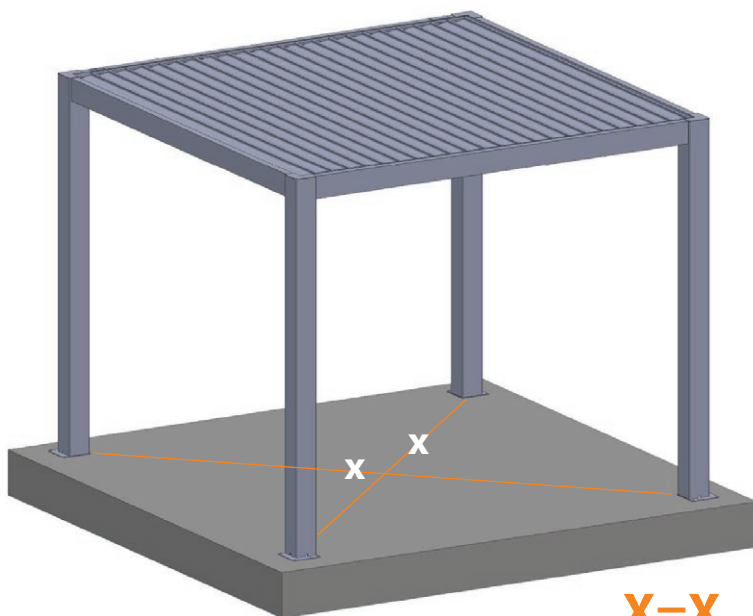
**Important:** Read the entire instruction before starting the assembly. Strictly follow all the instructions provided in this manual and carry out all of the stages of the installation process in the specified order. Failure to comply with these rules may lead to incorrect fitting of the decorative laths and the occurrence of visual defects. The warranty certificate is void if it is found that damage has been caused by incorrect installation. The base on which the product is to be installed must be flat and without significant differences in level. The product must be attached to the base. Note: Use lube for all screws to prevent them from breaking. Make sure that the pallet cannot tip over and cause accidents. Make sure that the ground where you put the pallet is in level. Installing two ground spikes to the pallet will prevent it from tipping. Do not remove all the wooden rules inside the pallet. Only remove the ones that are necessary to access the part you need.

**Installation requires at least 2 people.**



























**Necessary tools** – rubber mallet, measuring tape, spirit level, screwdriver PZ2, wrenches 10/13/17 mm, cordless drill, 3 mm hex key, utility knife, \*soap for rubber when oil is not enough, silicone gun and silicone, ladder.

## BEFORE INSTALLATION

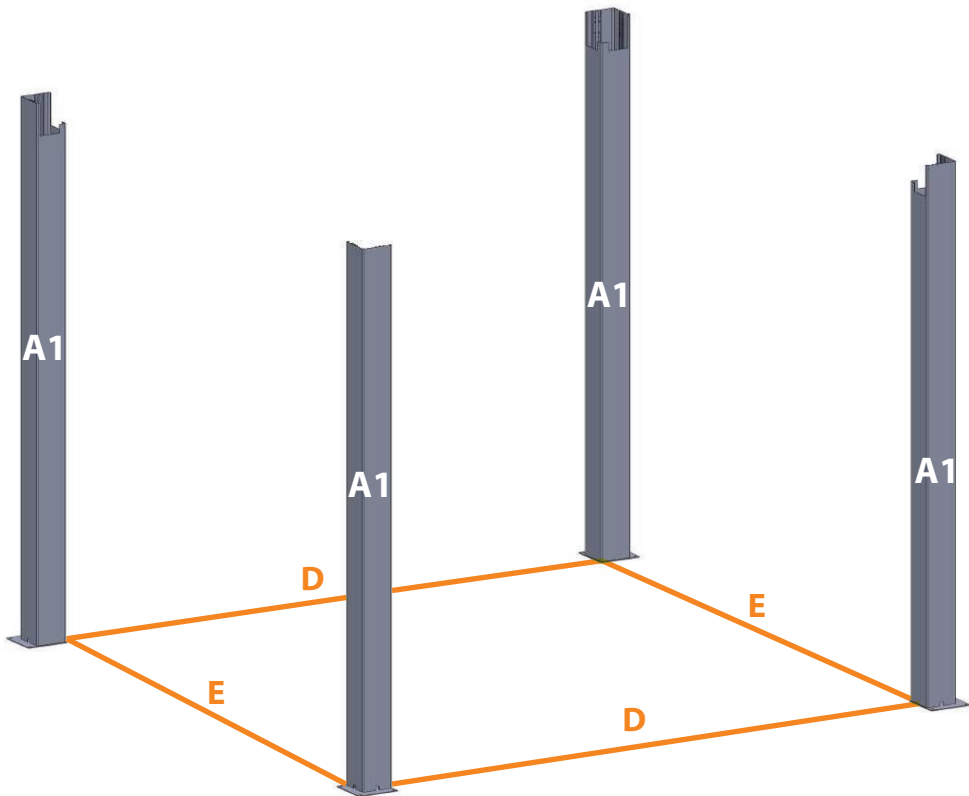
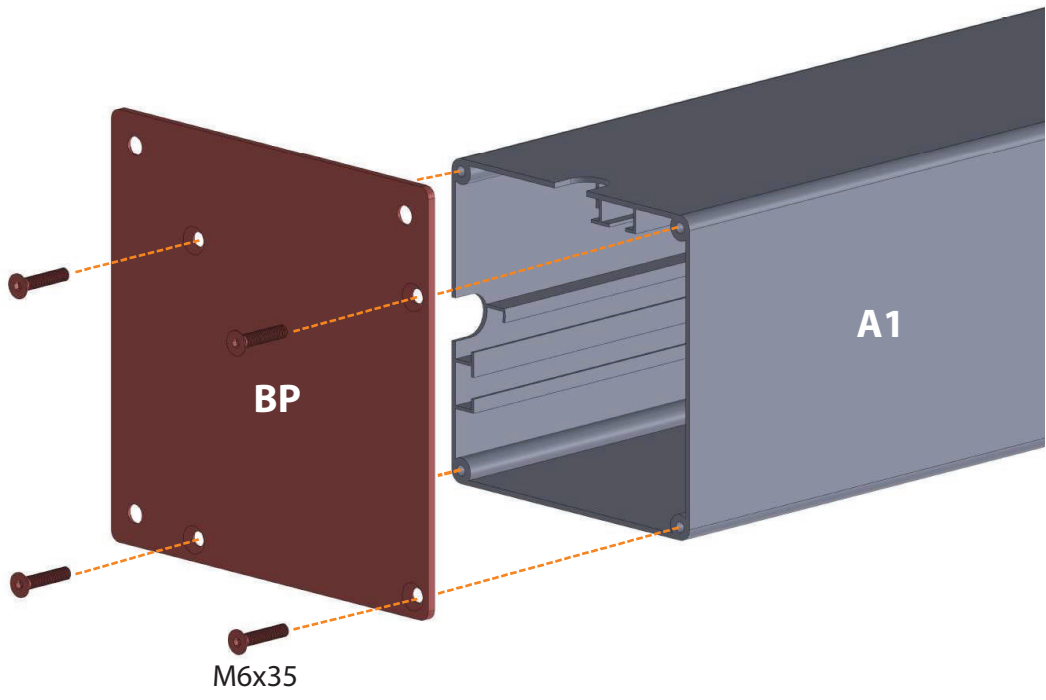
make sure the foundation is solid and stable and matches the dimensions of your pergola - the foundation should be larger than the pergola foot/base plate.



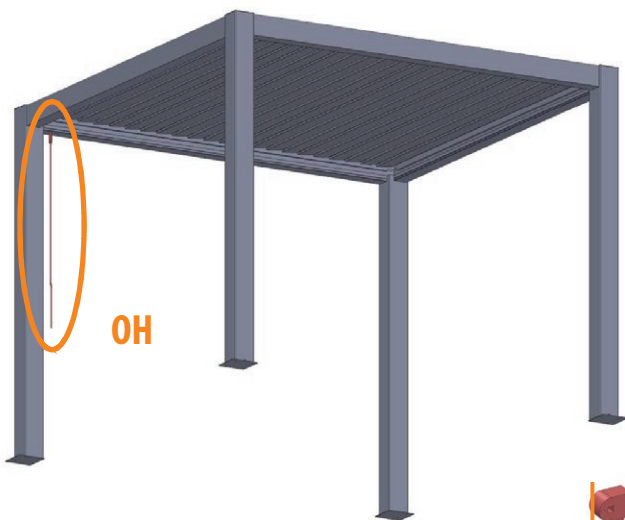
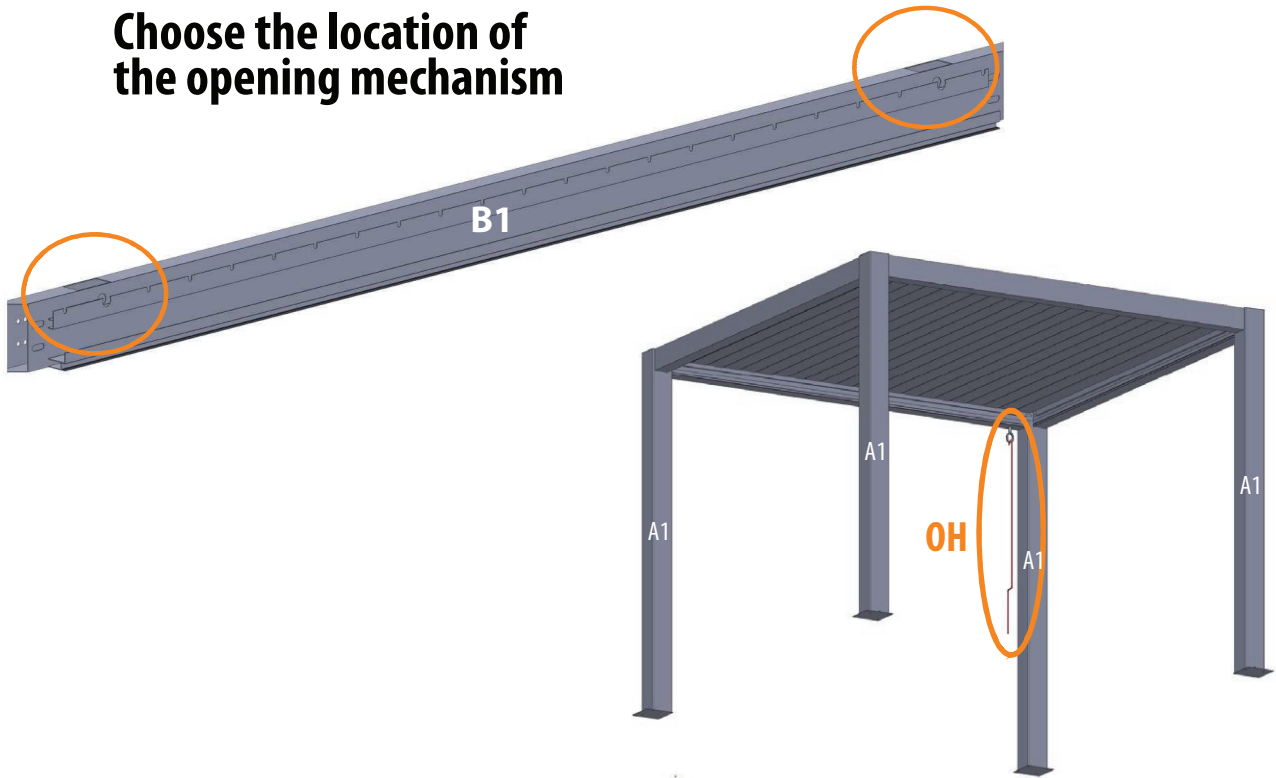
# CLASSIFICATION OF PARTS

			120x120	120x160	120x200	120x238	160x106	160x200	160x238
	Part name	Size (inch)							
	A1 (corner beam)	98,43	4	4	4	4	4	4	4
	A2 (middle beam)	98,43							
	B1 (opening mechanism side)	118,5	1						
	B2 (for 120x...)	118,5	2	2	2	2			
	B3 (other side)	118,5	1						
	B4 (opening mechanism side)	157,87		1			1		
	B5 (other side)	157,87		1			1		
	B6 (for 160x...)	157,87					2	2	2
	B7 (opening mechanism side)	197,24			1			1	
	B8 (other side)	197,24			1			1	
	B9 (opening mechanism side)	236,61				1			1
	B10 (other side)	236,61				1			1
	C1	113,58	23	31	39	47			
	C2	153					31	39	47
	Operating handle	59,06	1	1	1	1	1	1	1
	Louver guide rods	109,06	1						
	Louver guide rods	148,43		1			1		
	Louver guide rods	187,8			1			1	
	Louver guide rods	227,17				1			1
	Opening mechanism control shaft	0.55 x 0.55 x 2	1	1	1	1	1	1	1
	Horizontal beam bracket (HBB)	3.54 x 0.71 x 0.2	8	8	8	12	8	8	12
	Base plate (BP)	7.68 x 7.68 x 0.16	4	4	4	4	4	4	4
	Middle beam base plate	6.22 x 7.87 x 0.16	0	0	0	2	0	0	2
	Corner top cover (CTC)	6 x 6 x 0.08	4	4	4	4	4	4	4
	Middle beam top cover	6 x 2.83 x 0.08	0	0	0	2	0	0	2
	Opening mechanism cover (OMC)	5.12 x 2.17 x 0.47	1	1	1	1	1	1	1
	Opening mechanism (OM)	6.93 x 2.76 x 1.18	1	1	1	1	1	1	1
	M8 spring washer		16	16	16	24	16	16	24
	M8 washer		200	264	328	400	264	328	400
	M8x16		46	62	78	94	62	78	94
	Countersunk expansion plug with screw		12	12	12	16	12	12	16
	M6x12		14	14	14	18	14	14	18
	M6x35		16	16	16	24	16	16	24
	M8x35		46	62	78	94	62	78	94
	M6x20		4	4	4	4	4	4	4
	Rubber seal (meters)		73	96	119	142	129	160	191
	Spacer	0.79 x 1.57 x 0.39	3	3	3	3	3	3	3

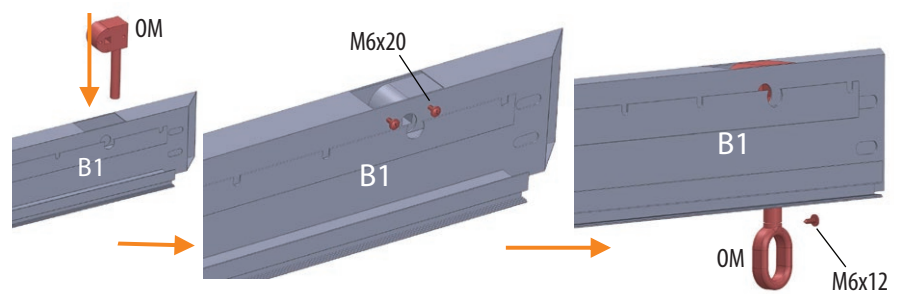
1

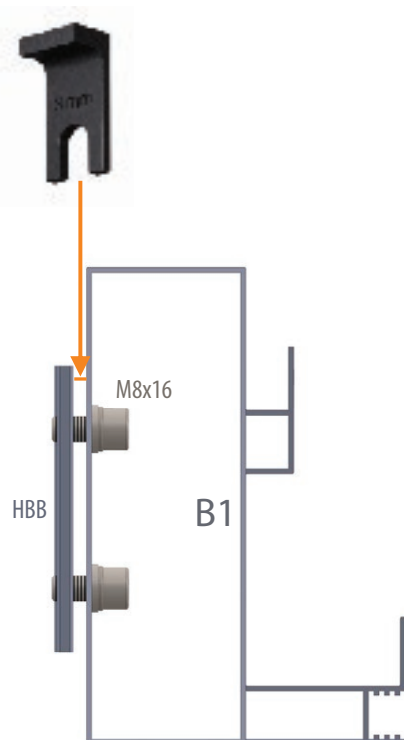
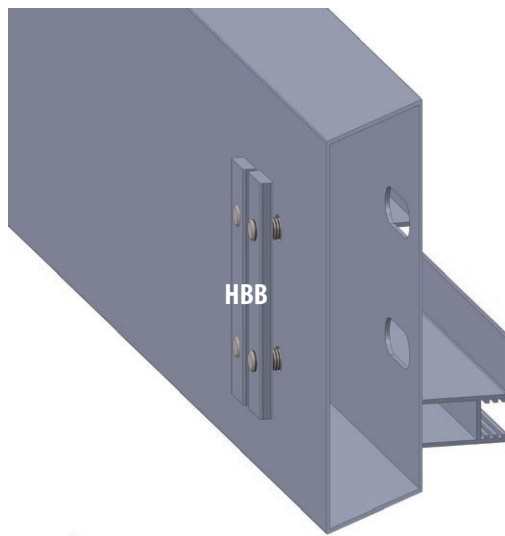
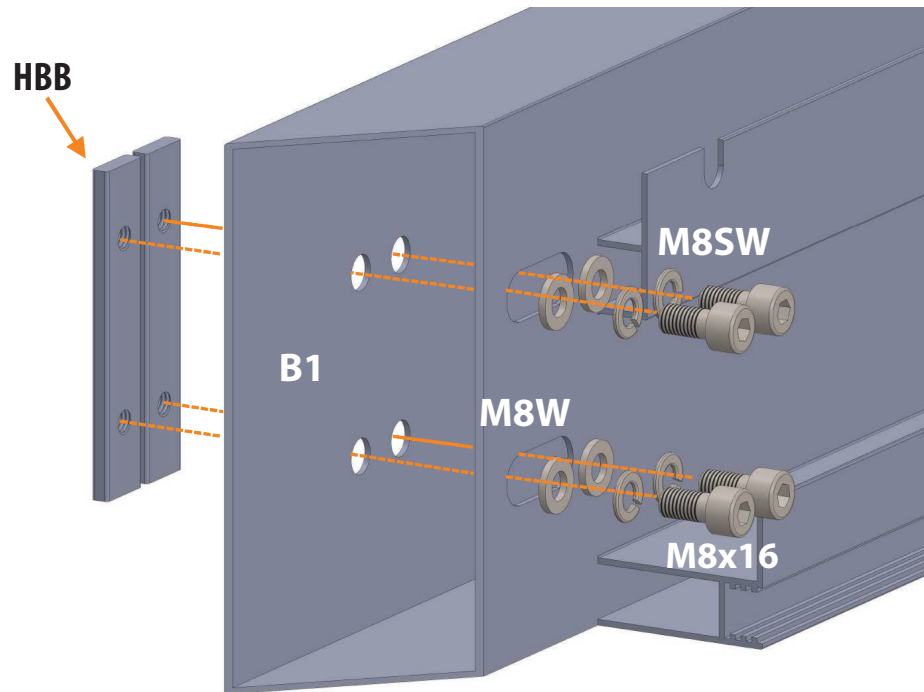


**Choose the location of the opening mechanism**



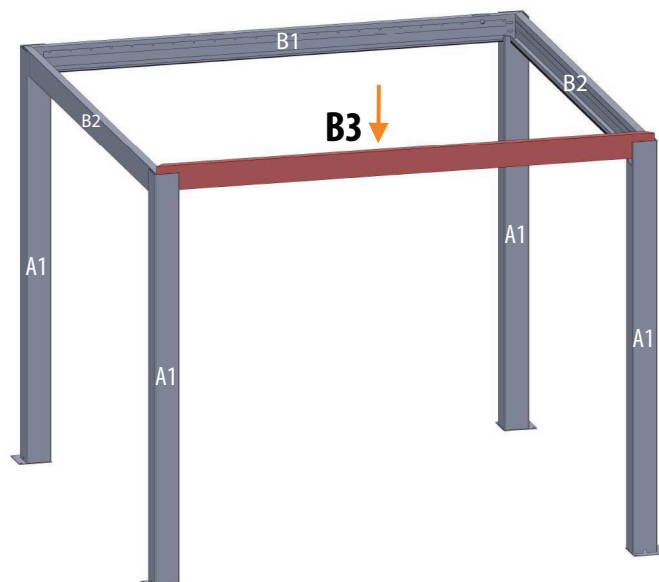
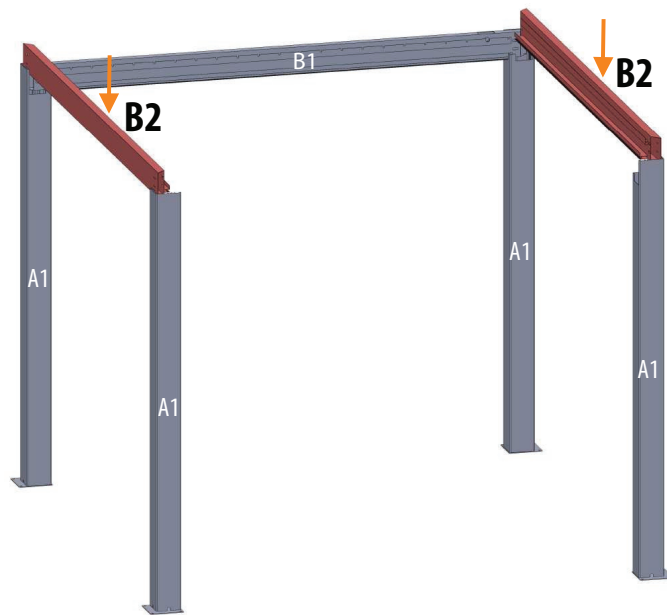
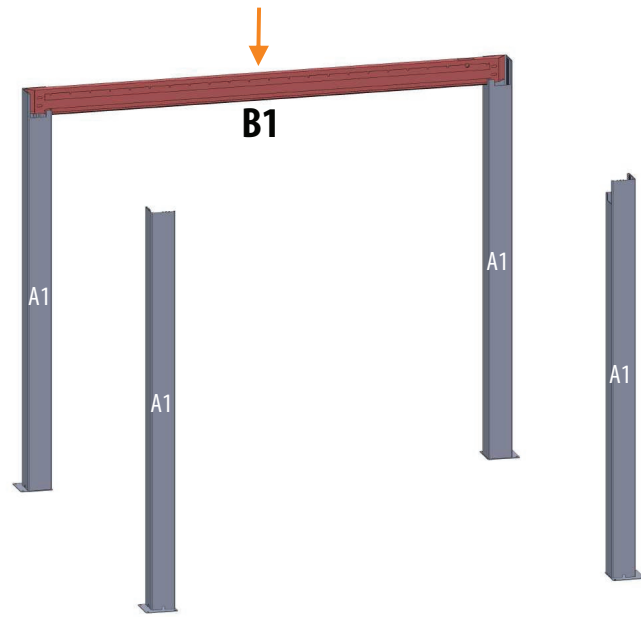
**Install opening mechanism and secure with screws**

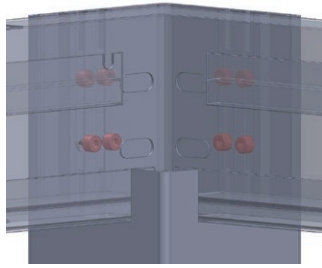




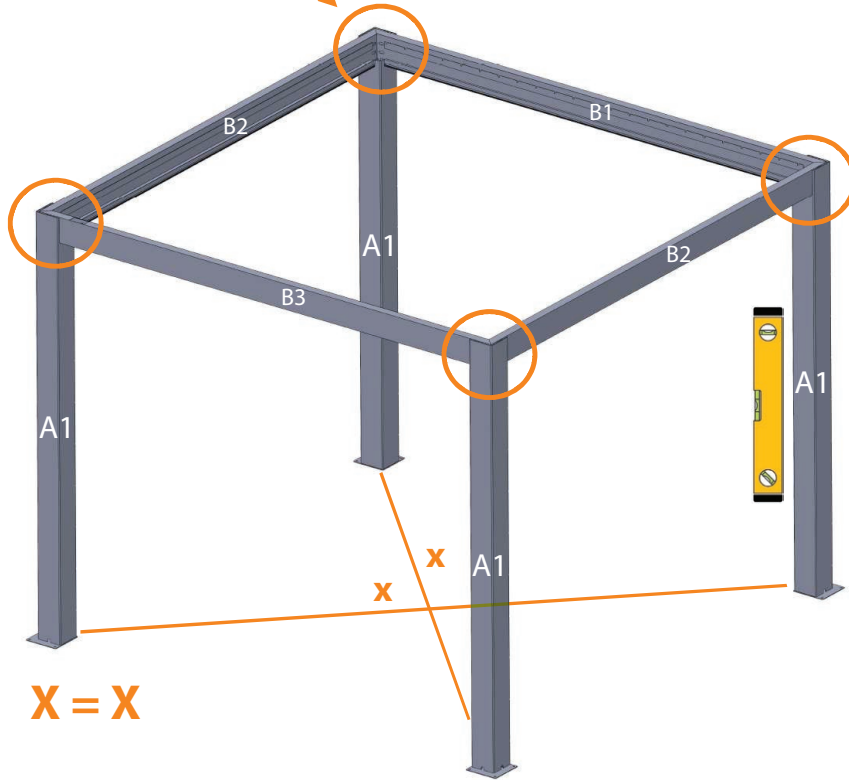
**Use a 0.118" spacer to adjust the spacing**

## Install vertical profiles

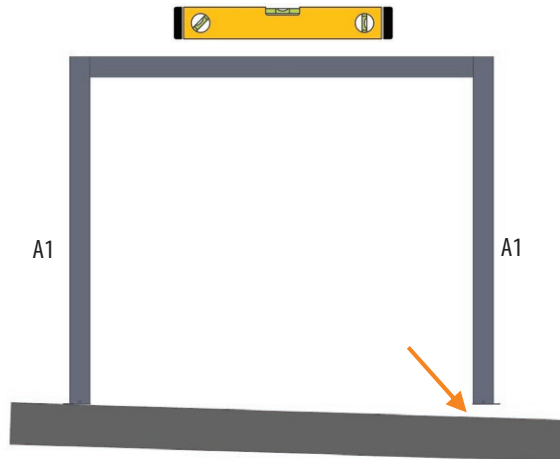


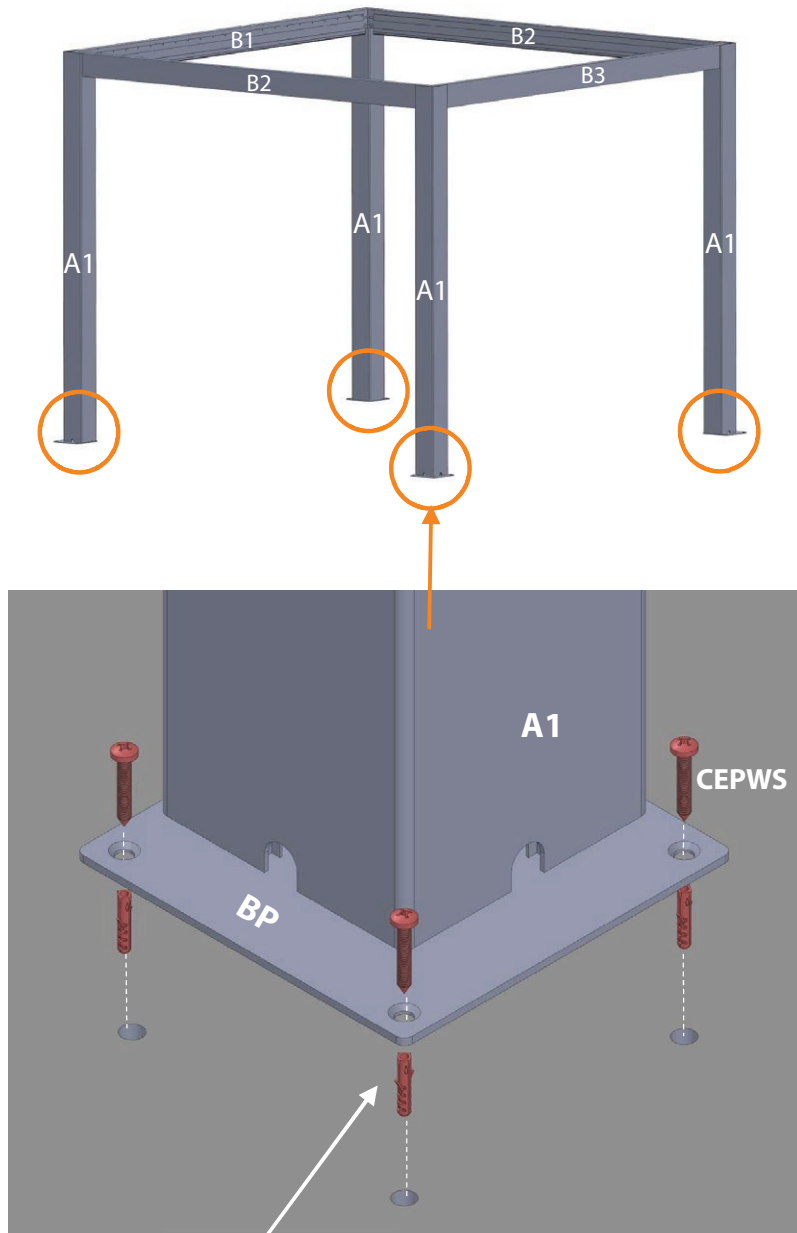


**Tighten the screws securing the vertical profiles**



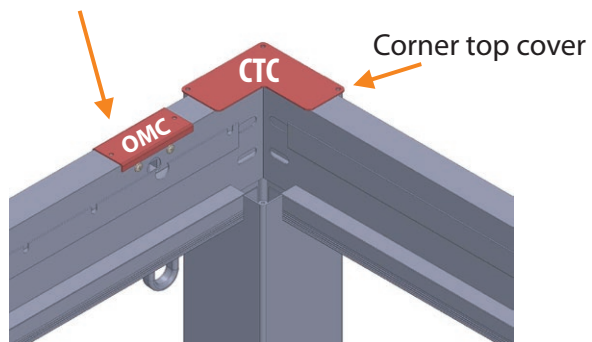
**Level the pergola structure.  
Use spacers if necessary.**



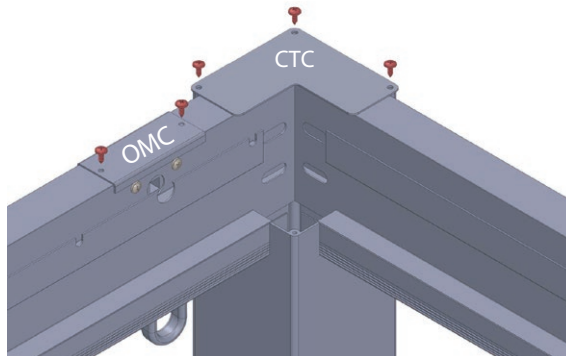


**Countersunk expansion plug with screw.  
Drill holes in the foundation and secure the pergola feet.**

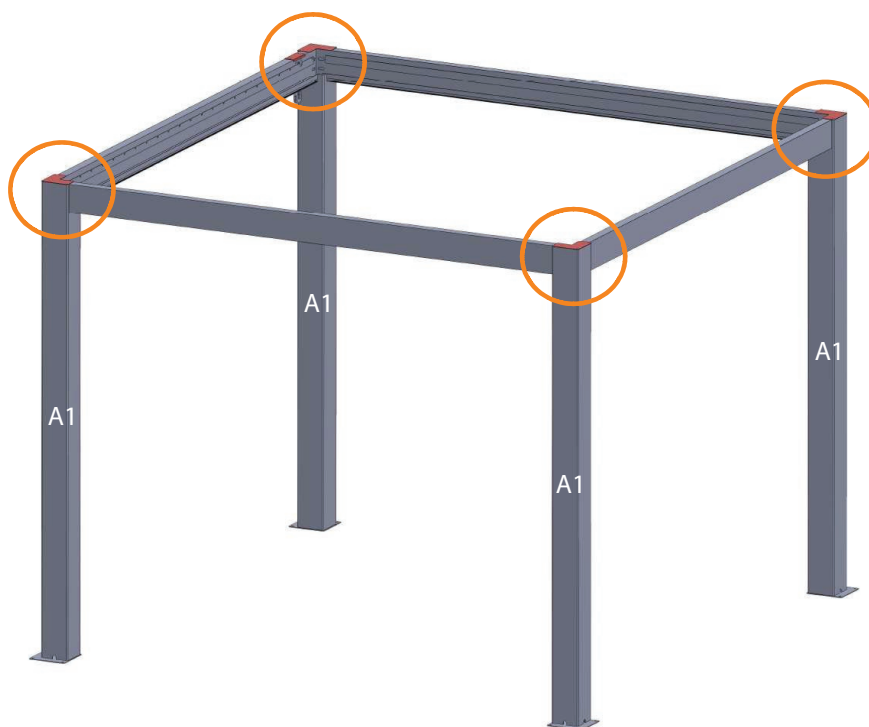
Opening mechanism cover



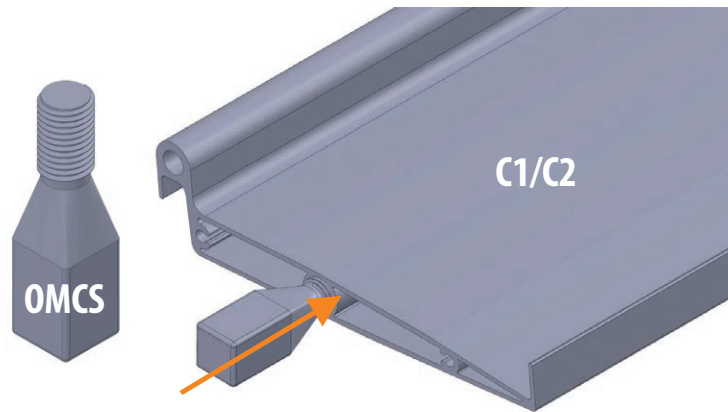
M6x12



### Install vertical profiles

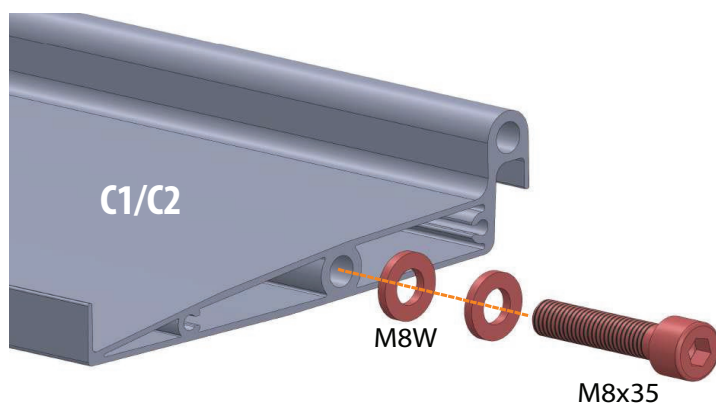


## Screw the opening mechanism control shaft into the roof profile

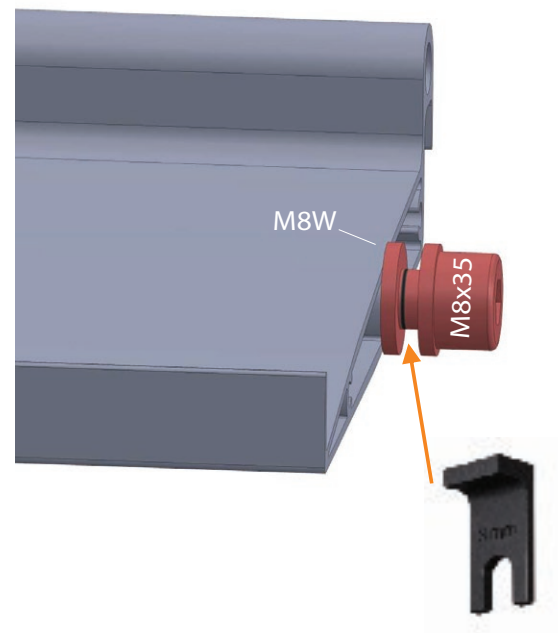


C1 = 118.110"  
C2 = 157.480"

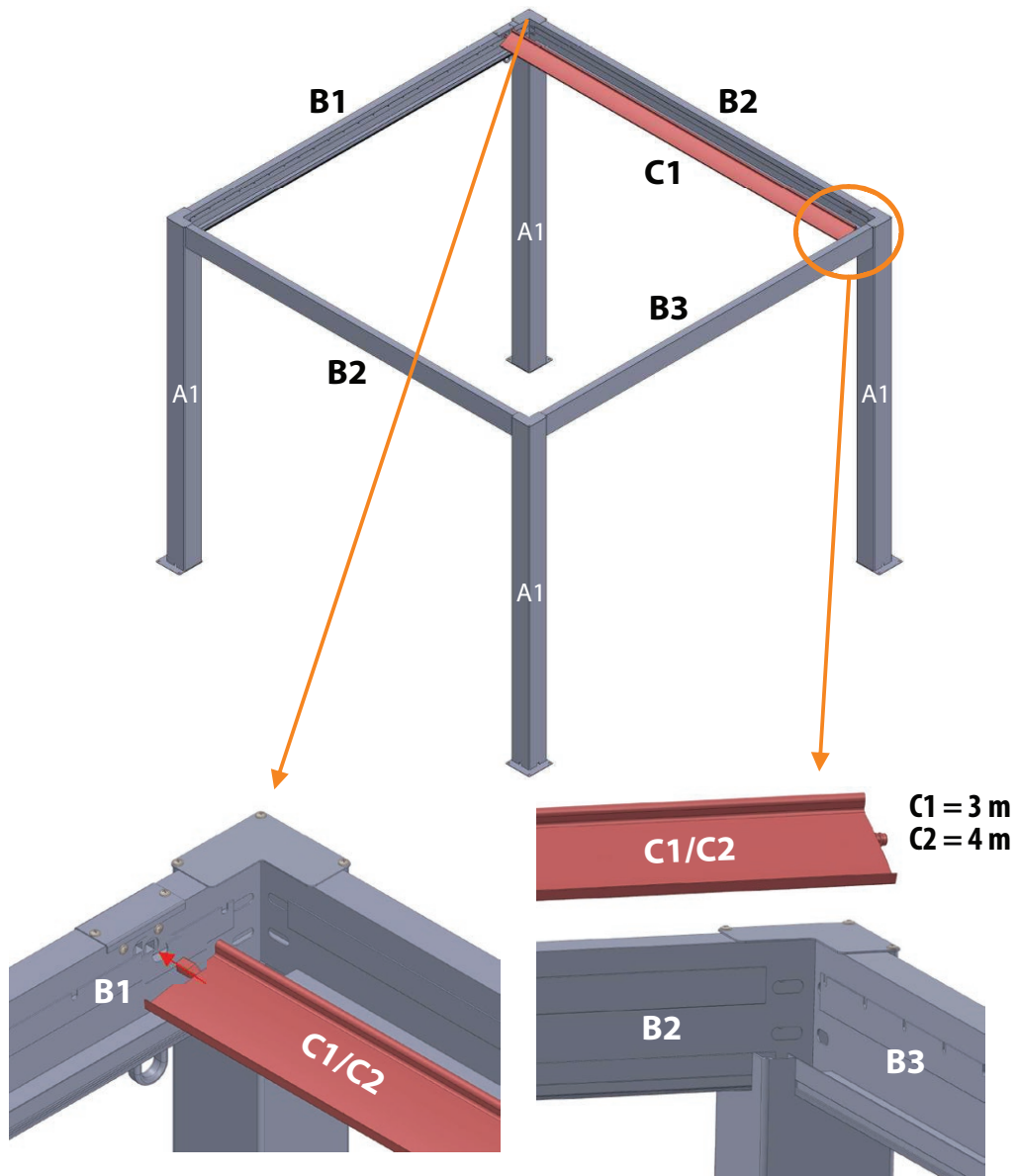
## Screw in the bolt with washers on the other side of the profile



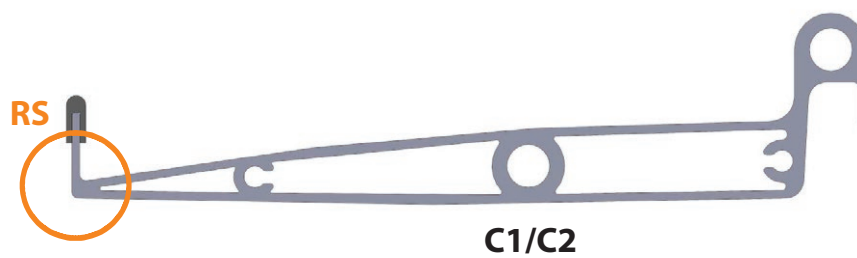
## Use a 0.118" spacer to adjust the spacing

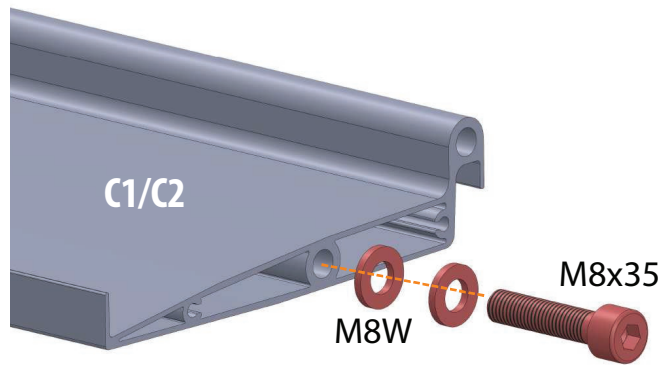


## Insert the louver blade profile

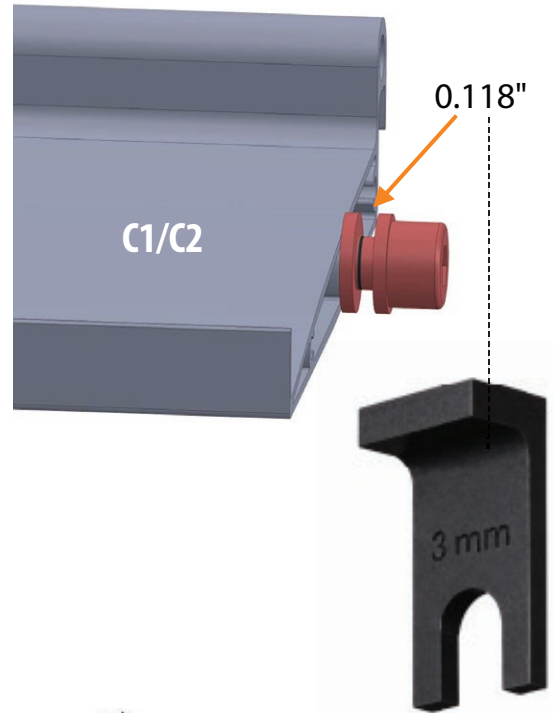


## Fit the rubber seal onto all the louver profiles

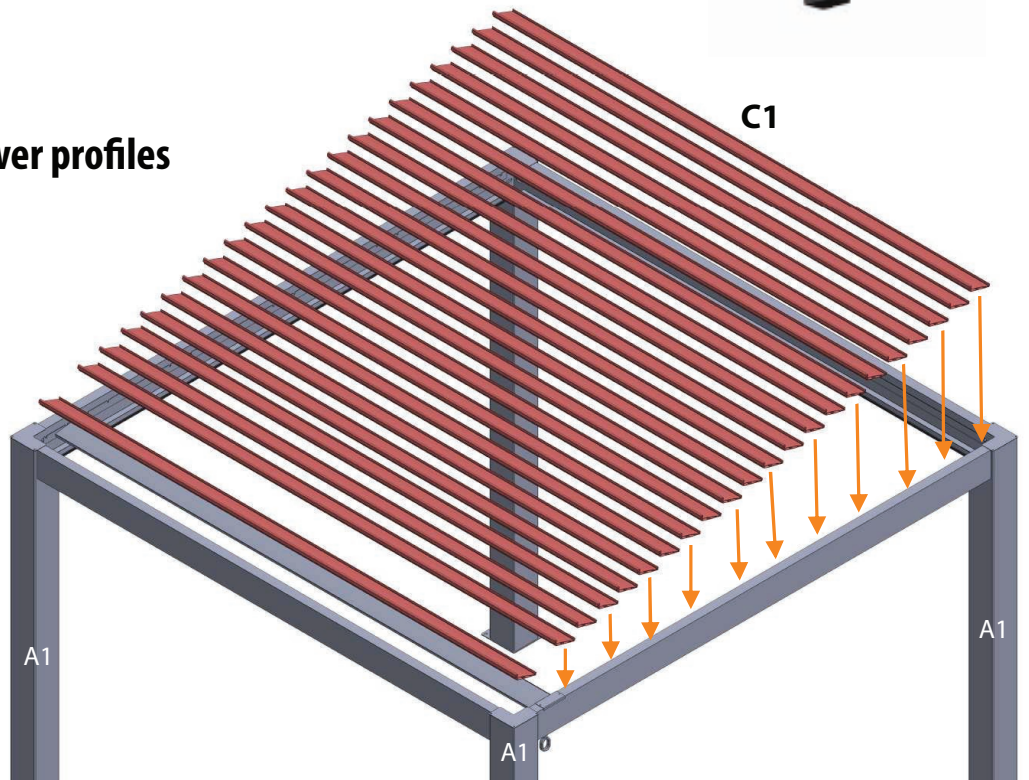




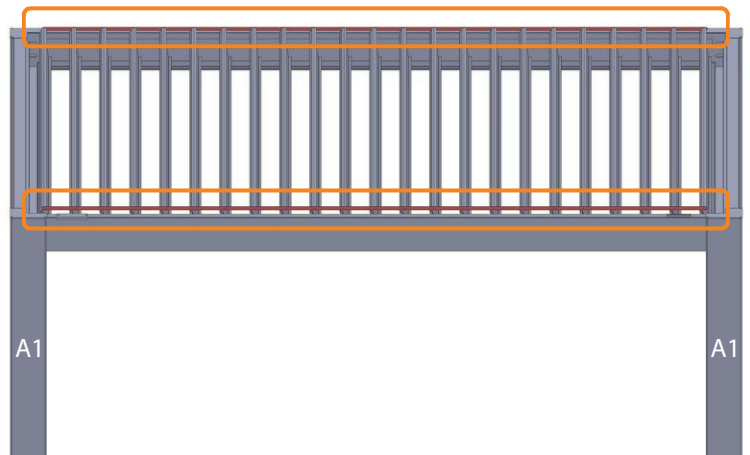
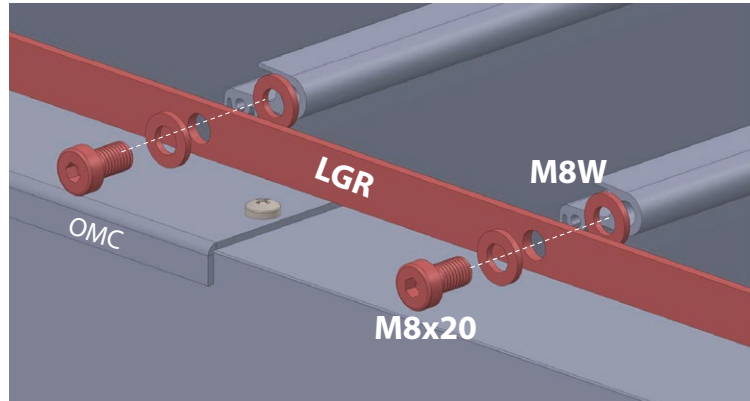
**Screw in the screws at both ends of the profile, leaving a 0.118" gap**



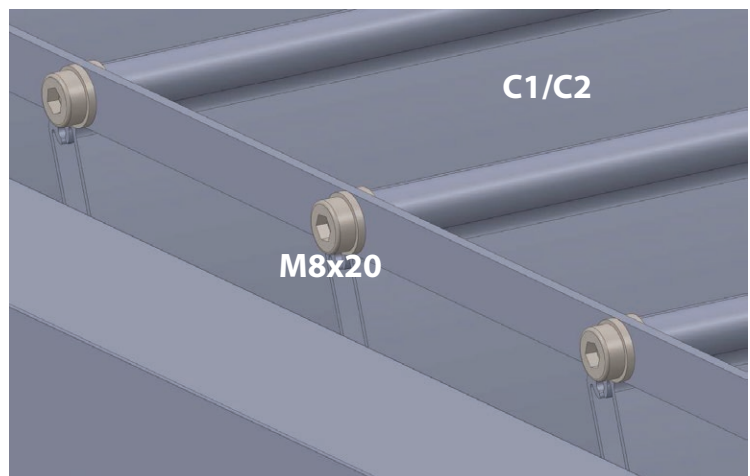
**Insert the remaining louver profiles**

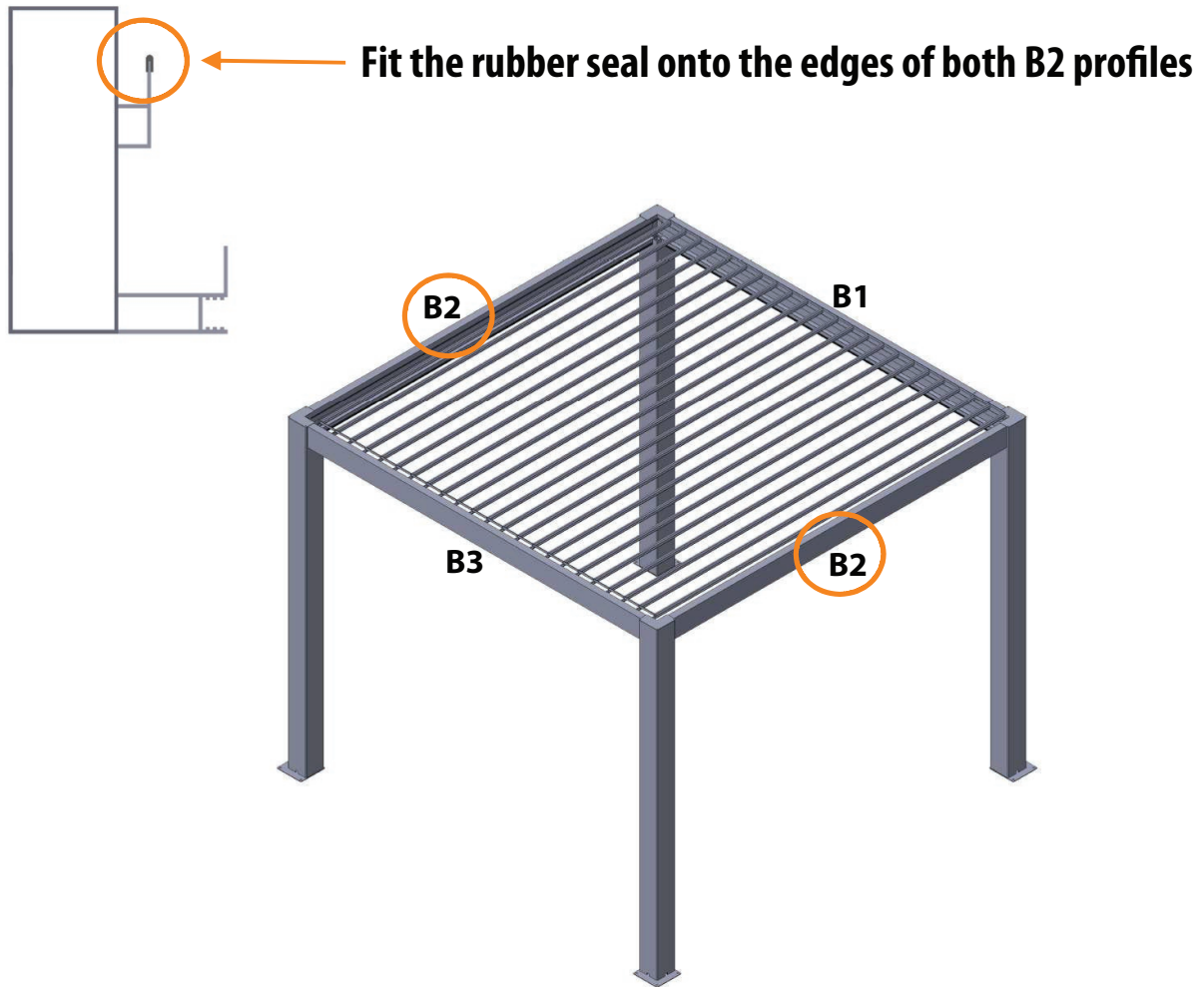


**Install the pergola louver  
guide rods on both sides**



**Do not overtighten -  
it should move freely!**





Use the removable operating handle to open and close the pergola

