



CLASSIC PREMIUM +ACCOYA

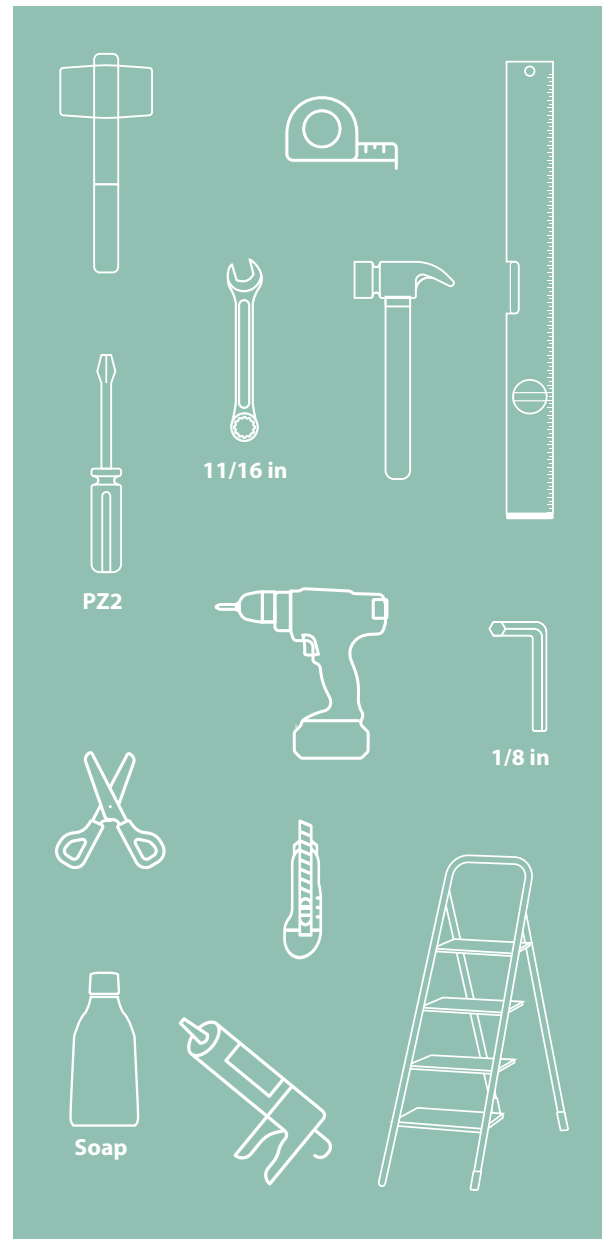
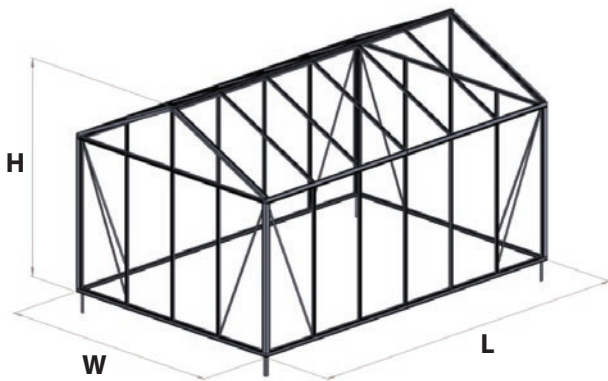


ASSEMBLY INSTRUCTIONS

Important: Read the entire instruction before starting the assembly. Strictly follow all the instructions provided in this manual and carry out all of the stages of the installation process in the specified order. Failure to comply with these rules may lead to incorrect fitting of the decorative laths and the occurrence of visual defects. The warranty certificate is void if it is found that damage has been caused by incorrect installation. The base on which the product is to be installed must be flat and without significant differences in level. The product must be attached to the base. Note: Use lube for all screws to prevent them from breaking. Make sure that the greenhouse pallet cannot tip over and cause accidents. Make sure that the ground where you put the pallet is in level. Installing two ground spikes to the pallet will prevent it from tipping. Do not remove all the wooden rules inside the pallet. Only remove the ones that are necessary to access the part you need.

Installation requires at least 2 people.

NECESSARY TOOLS – rubber mallet, measuring tape, spirit level, PZ2 screwdriver, wrenches 3/8 in, 1/2 in, and 11/16 in, cordless drill, 1/8 in hex key, utility knife, soap for rubber when oil is not enough, silicone gun and silicone, ladder.



W (in)	L (in)	H (in)	Side height (in)	Door / Side height (in)	Area (ft ²)	Roof windows
92.60"	63.23"	91.85"	69.65"	65.71"	40.58 ft ²	1
	92.60"	91.85"	69.65"	65.71"	59.52 ft ²	1
	121.97"	91.85"	69.65"	65.71"	78.47 ft ²	1
	151.34"	91.85"	69.65"	65.71"	97.31 ft ²	2
	180.71"	91.85"	69.65"	65.71"	116.25 ft ²	3
	210.08"	91.85"	69.65"	65.71"	135.09 ft ²	4
	239.45"	91.85"	69.65"	65.71"	153.93 ft ²	4
	268.50"	91.85"	69.65"	65.71"	172.22 ft ²	4
	298.03"	91.85"	69.65"	65.71"	191.59 ft ²	4
	327.56"	91.85"	69.65"	65.71"	210.44 ft ²	4
	356.69"	91.85"	69.65"	65.71"	229.17 ft ²	6
121.97"	63.23"	105.43"	76.38"	72.44"	53.50 ft ²	1
	92.60"	105.43"	76.38"	72.44"	78.47 ft ²	1
	121.97"	105.43"	76.38"	72.44"	103.33 ft ²	1
	151.34"	105.43"	76.38"	72.44"	128.20 ft ²	2
	180.71"	105.43"	76.38"	72.44"	153.06 ft ²	3
	210.08"	105.43"	76.38"	72.44"	177.93 ft ²	4
	239.45"	105.43"	76.38"	72.44"	202.79 ft ²	4
	268.50"	105.43"	76.38"	72.44"	227.55 ft ²	4
	298.03"	105.43"	76.38"	72.44"	252.52 ft ²	6
	327.56"	105.43"	76.38"	72.44"	277.71 ft ²	6
	356.69"	105.43"	76.38"	72.44"	302.25 ft ²	6

WIND WARNING

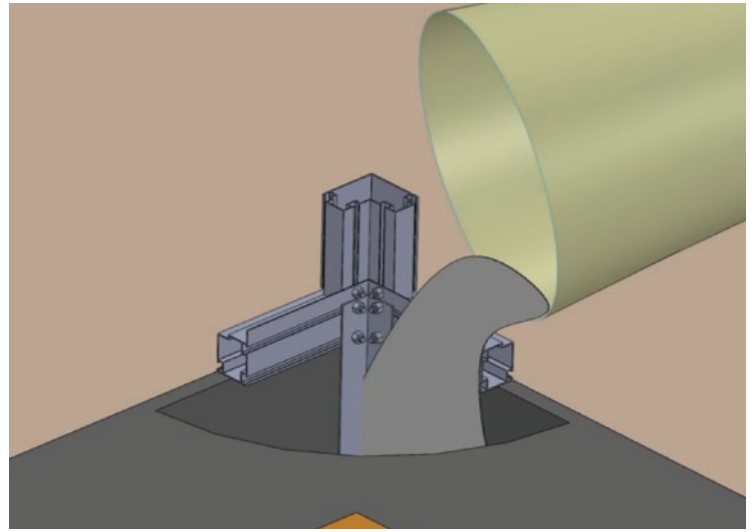
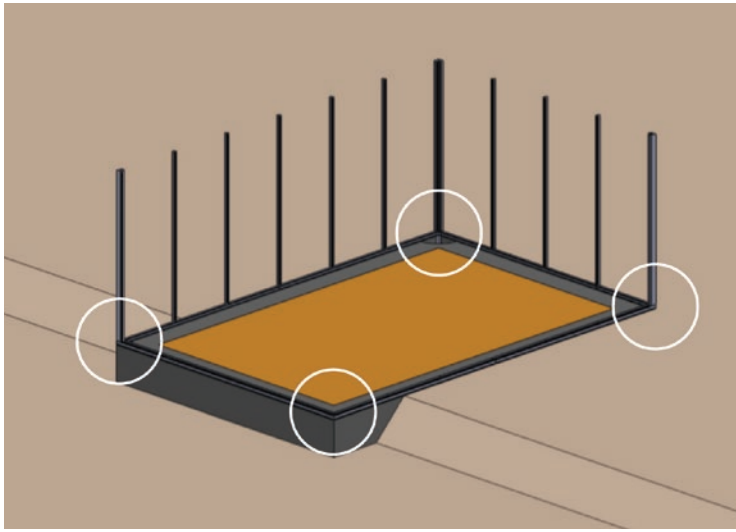
The manufacturer assumes no responsibility for damage caused by strong winds or storms. The structure must be secured according to the fastening options specified in the assembly instructions. During storms, all doors and windows must be closed.

SNOW WARNING

Snow must be removed regularly from the roof. Excess snow load may cause structural failure. Damage caused by snow overload is not covered by warranty.

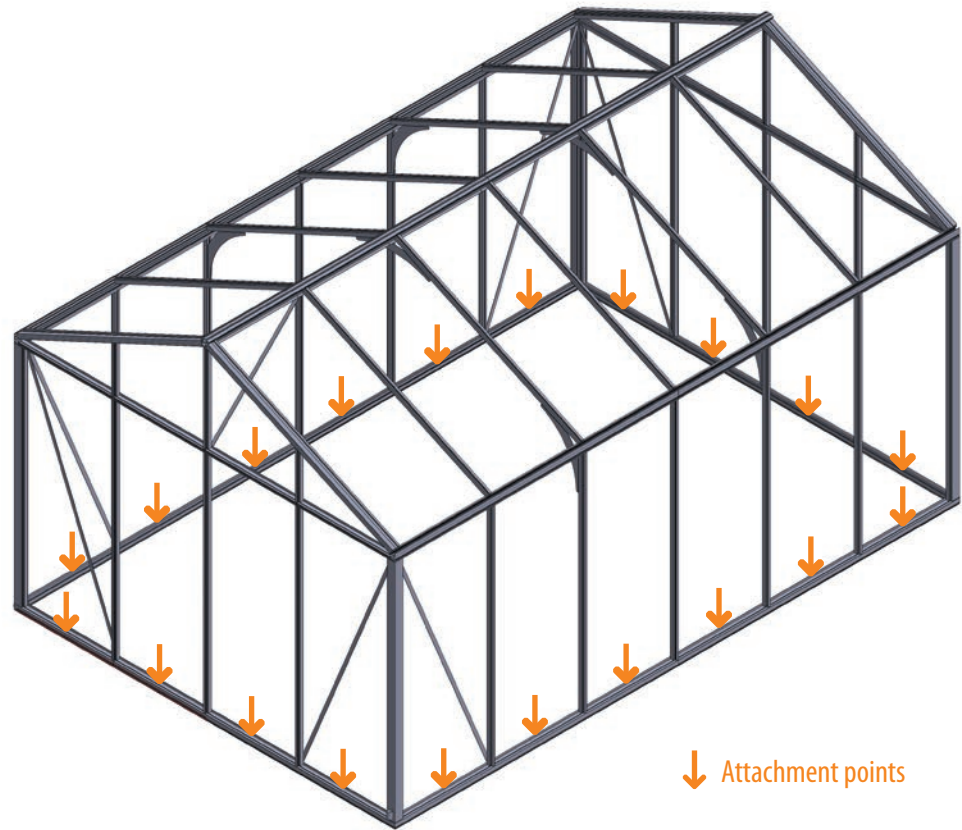
FOUNDATION PLAN

4 corners are concreted, the base profile placed on a solid foundation



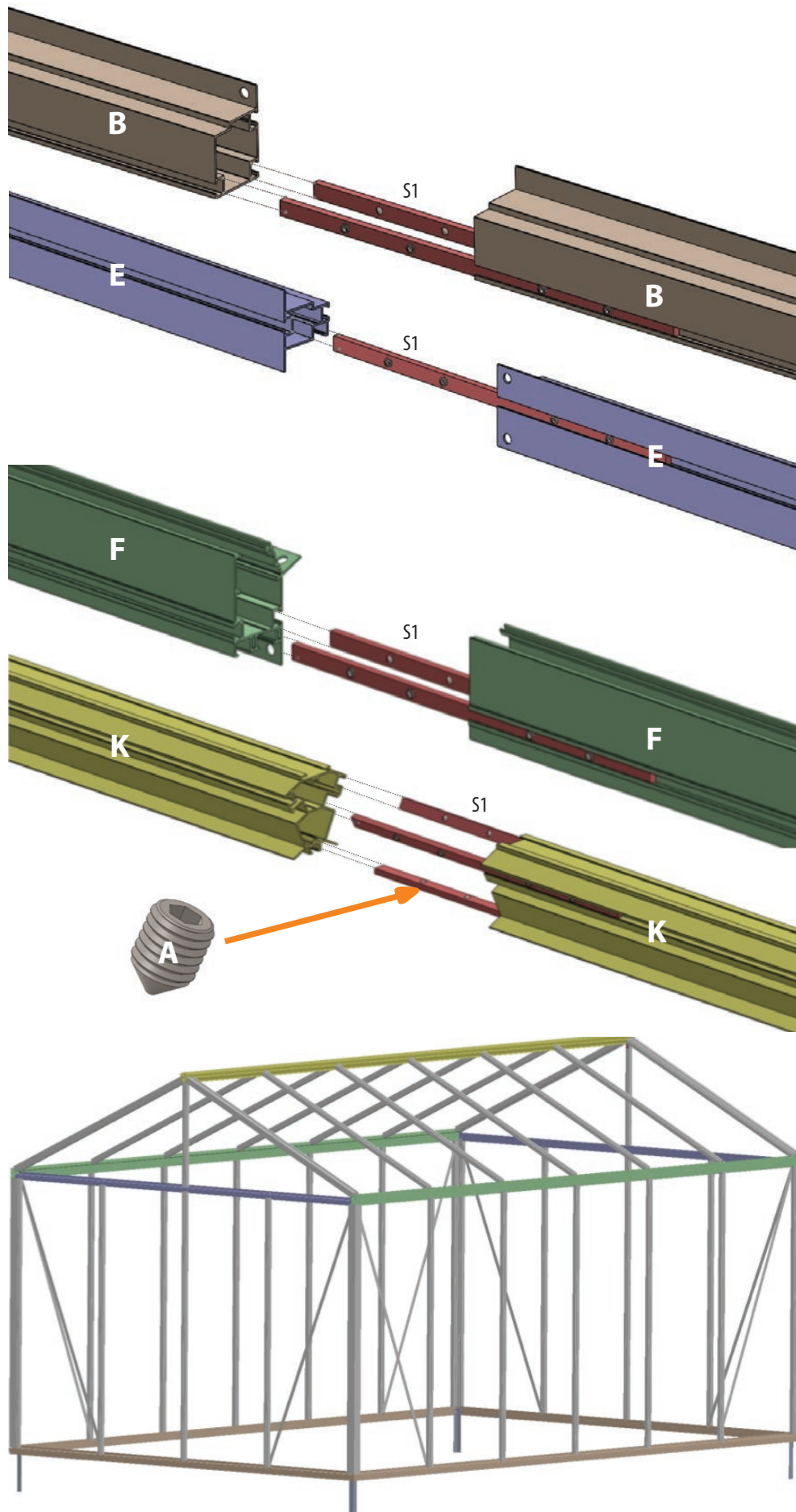
IF CORNER REINFORCEMENTS ARE NOT USED

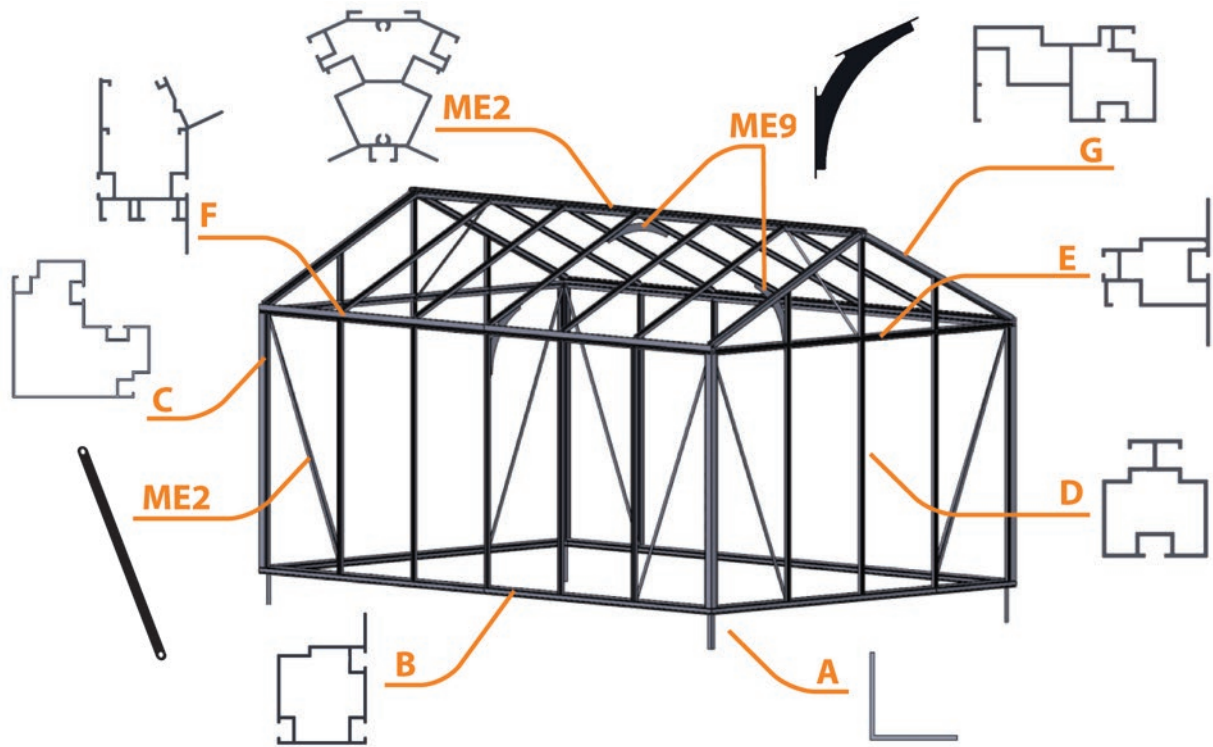
1. Drill holes in profile
2. Secure base with dowel and screw
3. Use plastic covers for holes



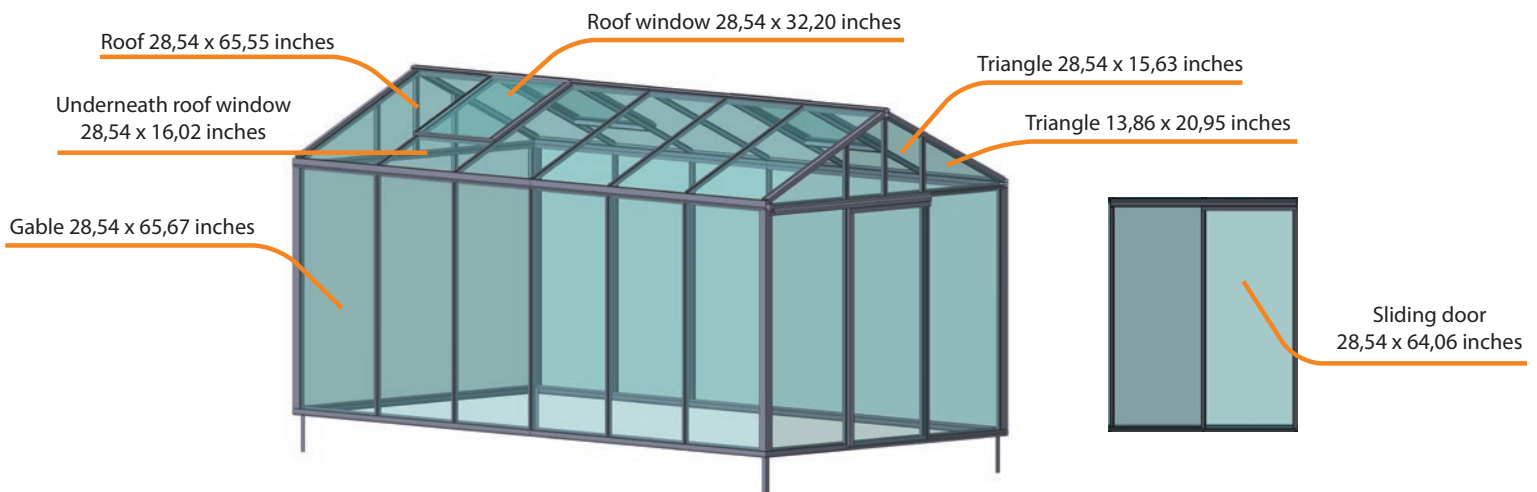
EXTENSIONS

Fix extension rod in place with screw

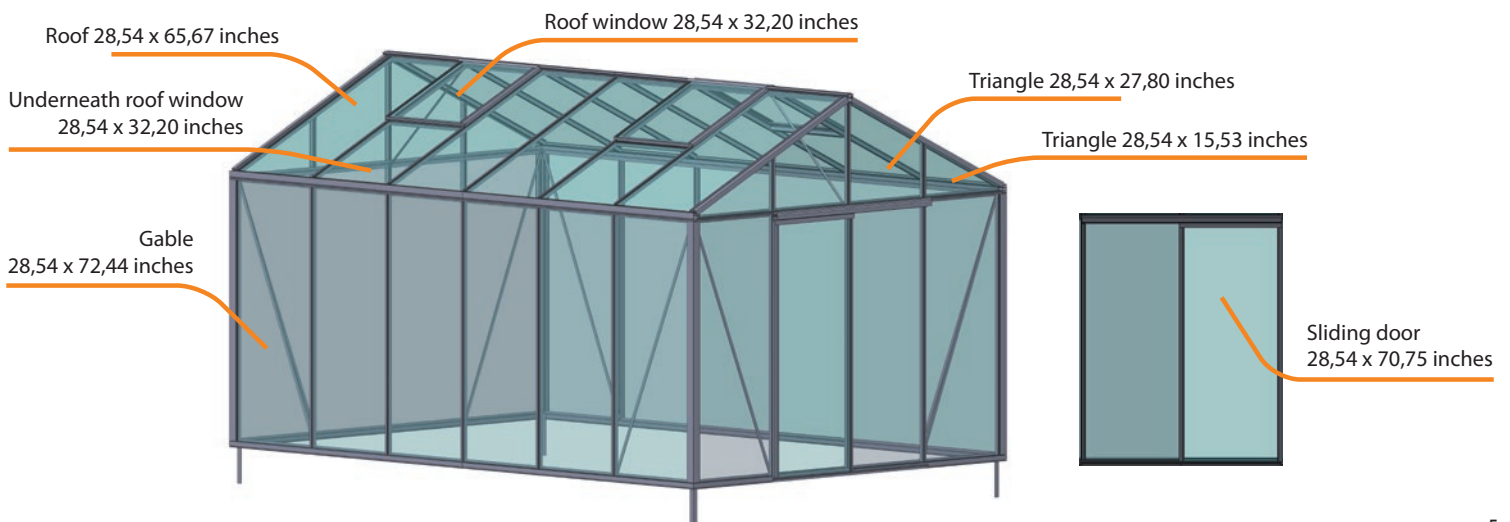




Classic Premium glazing 92 1/2"



Classic Premium glazing 122"



FOUNDATION PLAN

4 corners are concreted, the base profile placed on a solid foundation

SE: Grundplan

4 hörn är gjutna i betong, basprofilen placeras på en solid grund

NO: Fundamentplan

4 hjørner er støbt i betong, baseprofilen plasseres på et solid fundament

DK: Fundamentplan

4 hjørner er støbt i betong, baseprofilen placeres på et solidt fundament

FI: Perustussuunnitelma

4 kulmaa on valettu betoniin, perusprofiili asetetaan vakaalle perustalle

DE: Fundamentplan

4 Ecken sind einbetoniert, das Basisprofil wird auf einem soliden Fundament platziert

FR: Plan de fondation

4 coins sont bétonnés, le profil de base est placé sur une fondation solide

LV: Pamatu plāns

4 stūri ir ielieti betonā, pamatprofils novietots uz stabila pamata

EE: Vundamendiplaan

4 nurka on betoneeritud, alusprofiil asetatakse tugevale vundamendile

LT: Pamatų planas

4 kampai yra užbetonuoti, pagrindo profilis padėtas ant tvirtu pamato

PL: Plan fundamentu

4 narożniki są zabetonowane, profil bazowy umieszczony na solidnym fundamencie

CZ: Plán základů

4 rohy jsou zabetonovány, základní profil umístěn na pevném základu

SK: Plán základu

4 rohy sú zabetónované, základný profil umiestnený na pevnom základe

HU: Alapozási terv

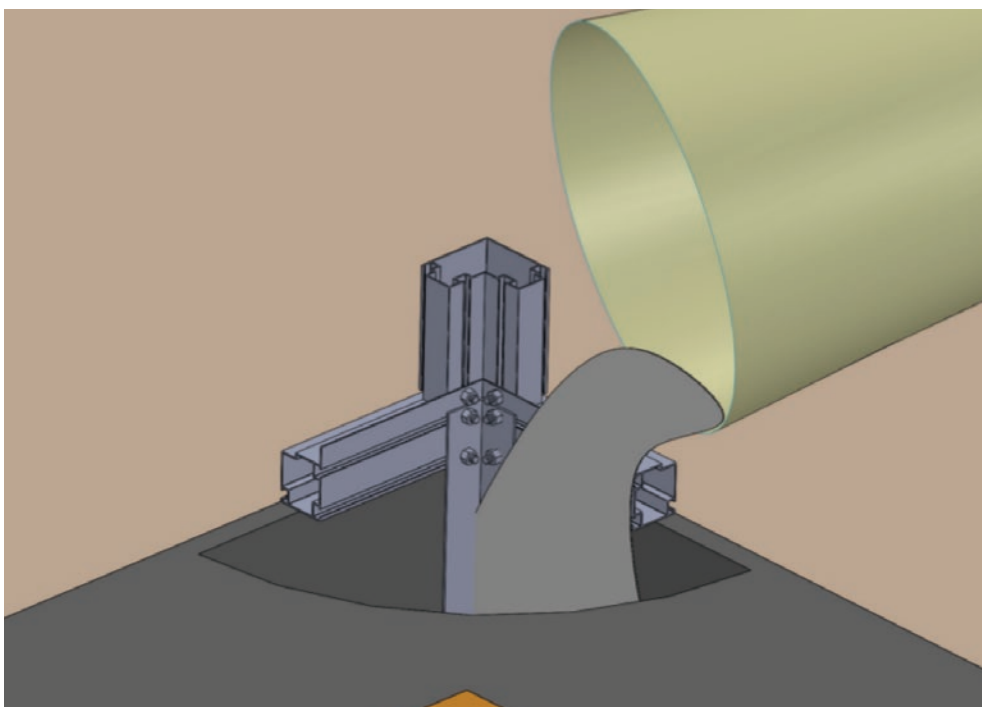
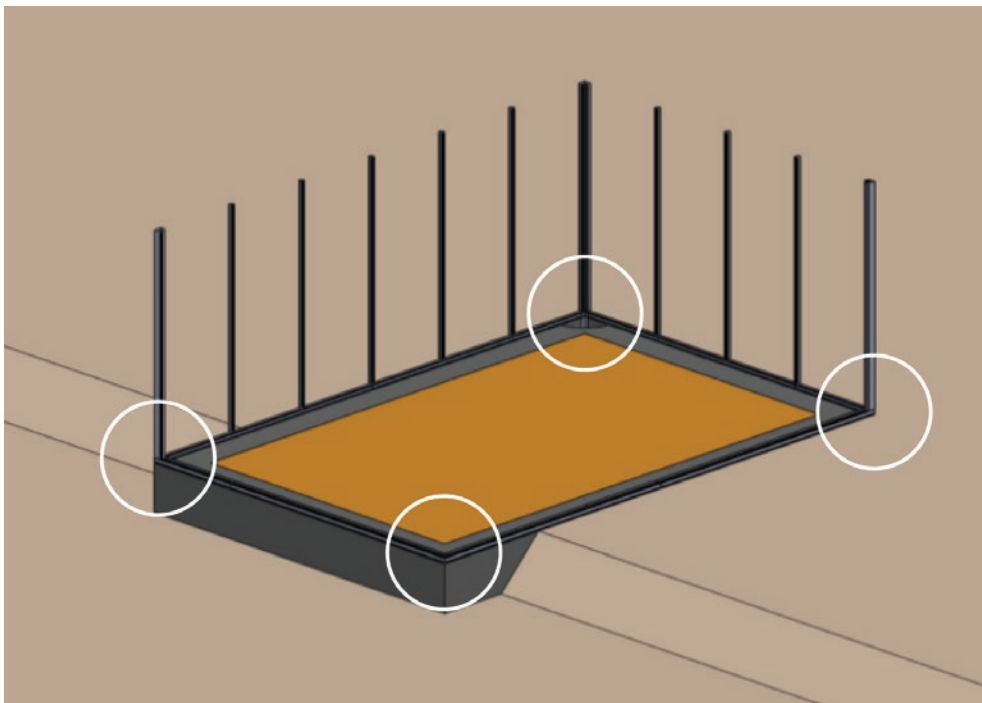
4 sarok be van betonozva, az alapprofil szilárd alpra van helyezve

RO: Plan fundație

4 colțuri sunt turnate în beton, profilul de bază este plasat pe o fundație solidă

SI: Načrt temelja

4 vogali so betonirani, osnovni profil je postavljen na trdno temelje



HR: Plan temelja

4 kuta su betonirana, osnovni profil postavljen je na čvrste temelje

BG: План на основата

4 ъгъла са бетонирани, основният профил е поставен върху здрава основа

GR: Σχέδιο θεμελίωσης

4 γωνίες είναι τσιμεντωμένες, το βασικό προφίλ τοποθετείται σε σταθερό θεμέλιο

IE: Plean Fondúireachta

Tá 4 choirméal coinchréitithe, tá an phróifíl bhunúsach curtha ar bhunchloch dháingean

NL: Funderingsplan

4 hoeken zijn in beton gegoten, het basisprofiel geplaatst op een solide fundering

IT: Piano di fondazione

4 angoli sono cementati, il profilo di base è posizionato su una solida fondazione

ES: Plan de cimentación

4 esquinas están cementadas, el perfil base colocado sobre una cimentación sólida

PT: Plano de fundação

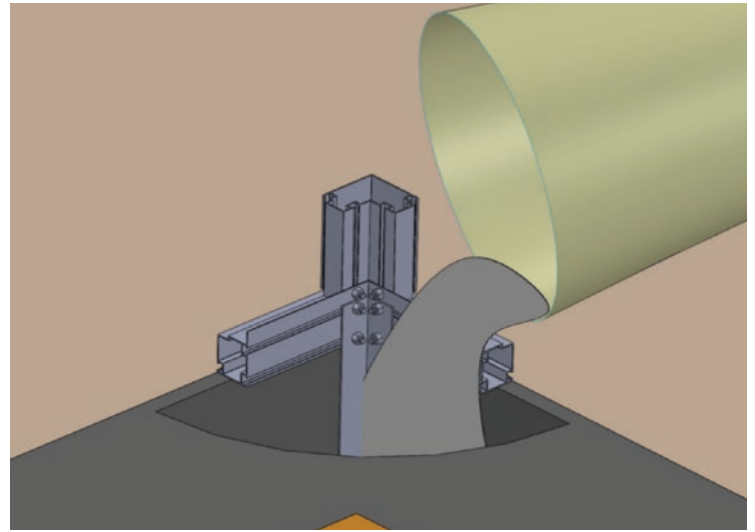
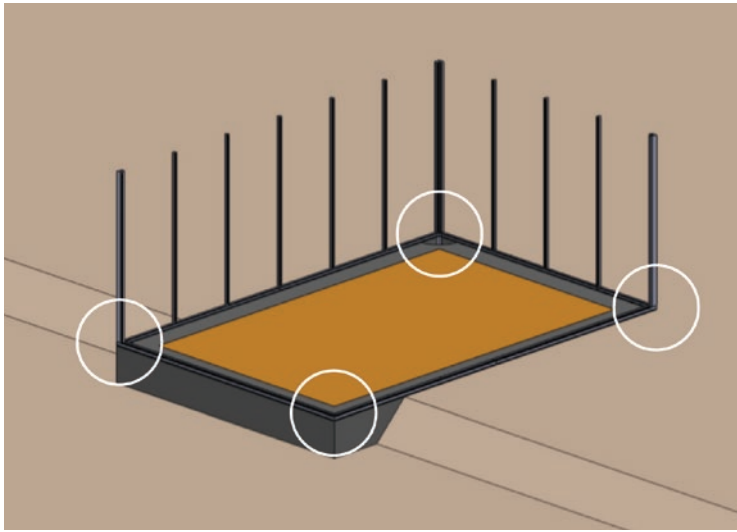
4 cantos são cimentados, o perfil base colocado sobre uma fundação sólida

MT: Pjan tal-fondazzjoni

4 kantunieri huma kkkakmati fil-konkos, il-profil bażi jitqiegħed fuq fondazzjoni solida

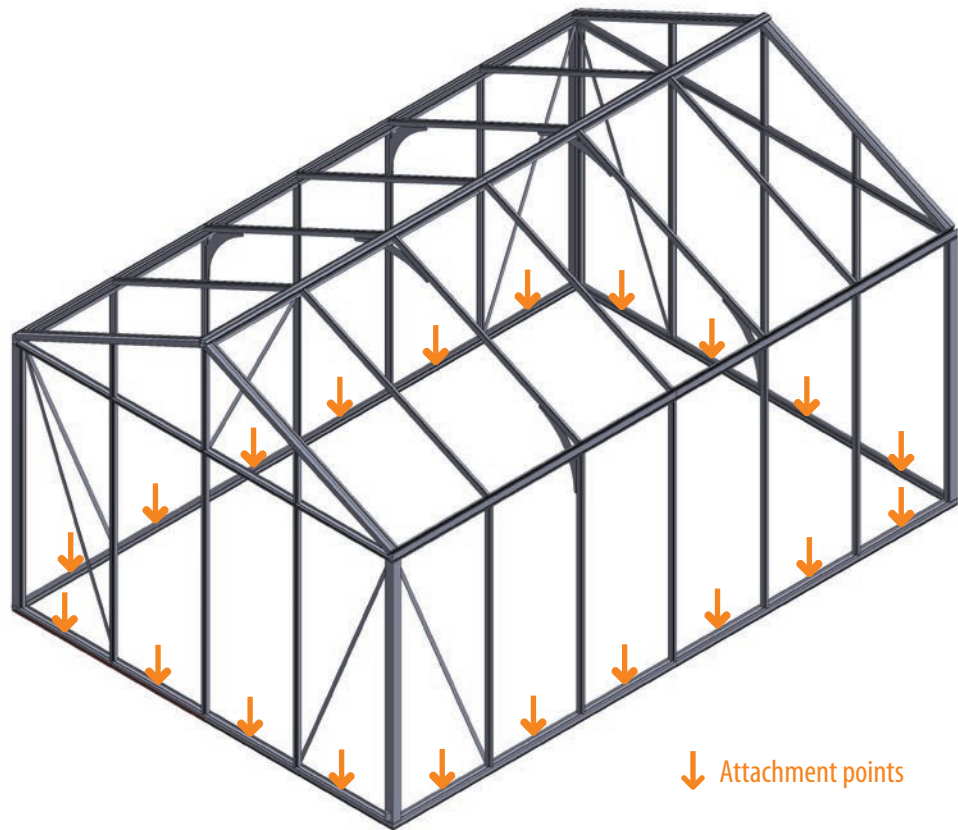
FOUNDATION PLAN

4 corners are concreted, the base profile placed on a solid foundation



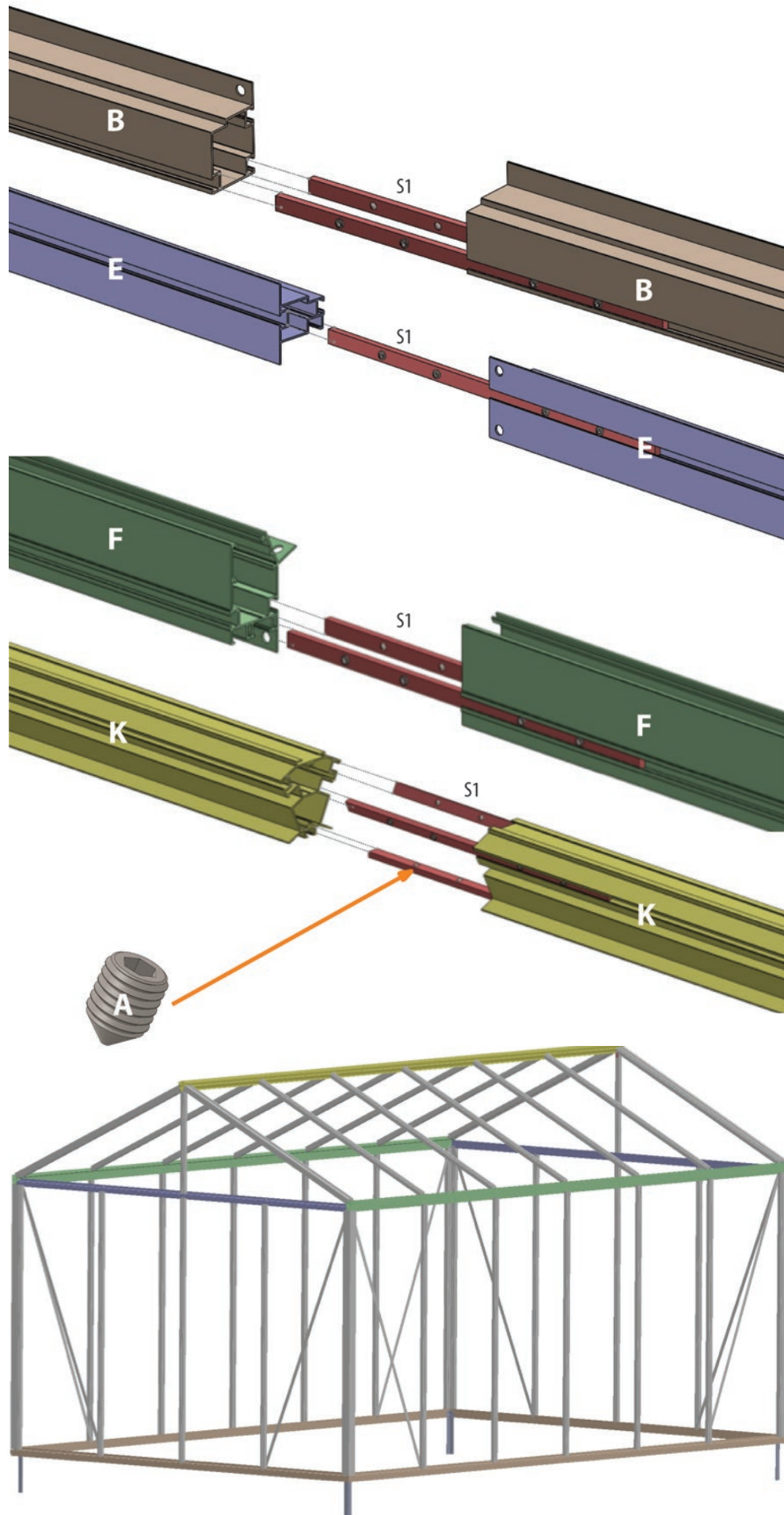
IF CORNER REINFORCEMENTS ARE NOT USED

1. Drill holes in profile
2. Secure base with dowel and screw
3. Use plastic covers for holes




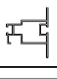
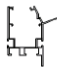
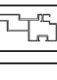


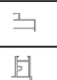

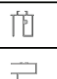

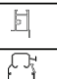
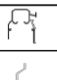
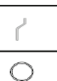
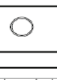
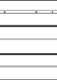




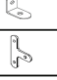




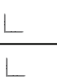























EXTENSIONS

Fix extension rod in place with screw



CLASSIFICATION OF PARTS*









Part description, code and size			92,60x63,23	92,60x92,60	92,60x121,97	92,60x151,34	92,60x180,71	92,60x210,08	92,60x239,45		
		Size (inch)									
	B1	63,23	2								
	B2	90			2	2	2	2	2		
	B3	32			2			2			
	B5	92,6	2	4	2	2	2	2	2		
	B6	61,34				2			2		
	B7	90,71					2				
B8	88,11						2	2			
	C2	65,35	4	4	4	4	4	4	4		
	D2	65,35	6	8	10	12	14	16	18		
	I6	48,78	2	4	6	8	10	12	14		
	I2	15	2	2	2	2	2	2	2		
	I5	21	2	2	2	2	2	2	2		
	I4	15	2	2	2	2	2	2	2		
	I7	28	1	1	1	2	3	4	4		
	E4	89,37	2	2	2	2	2	2	2		
	F1	63,15	2								
	F2	92,52		2							
	F3	90			2	2	2	2	2		
	F4	31,93			2			2			
	F6	61,3				2			2		
	F7	90,67					2				
	F8	88,11						2	2		
	G2	48,78	4	4	4	4	4	4	4		
	K1	63,15	1								
	K2	92,52		2							
	K3	90			1	1	1	1	1		
	K4	31,93			1			1			
	K6	61,3				1			1		
	K7	90,67					1				
	K8	88,11						1	1		
	L1	30,63	1	1	1	2	3	4	4		
	L2	32,52	2	2	2	4	6	8	8		
	L3	30,63	1	1	1	2	3	4	4		
	M1	30,63	1	1	1	1	1	1	1		
	M6	64,41	2	2	2	2	2	2	2		
	M3	30,63	1	1	1	1	1	1	1		
	M4	60,24	1	1	1	1	1	1	1		
	M5	60,24	1	1	1	1	1	1	1		
	M7	65	2	2	2	2	2	2	2		
	S1	11,81	0	0	11	11	11	22	22		
	ME11	37,6	2	2	2	2	2	2	2		
	ME10	71,85	8	8	8	8	8	8	8		
	ME4	58,07	0	0	1	2	0	0	0		
	ME9	11.81 x 11.81	0	0	0	0	2 sets	2 sets	3 sets		
	ME5	1.38 x 1.38	8	8	8	10	12	14	14		
	ME6	2.36 x 2.36	2	2	2	4	6	8	8		
	ME7	23,5	1	1	1	2	3	4	4		
	ME8	2	8	12	16	20	24	28	32		
	A1	1.38 x 1.38 x 11.81	4	4	4	4	4	4	4		
	A3	0,6x0,6x28	1	1	1	1	1	1	1		
	A2	0.59 x 0.59 x 64.41	1 if double doors								
	S2	2.76 x 0.55 x 0.08	1 if double doors								

	Glazing rubber (ft)	230	279	328	377	427	475	525
	Brush strip (in)	130	130	130	130	130	130	130
	Down pipe bend 90° - Ø1,38 inch	2	2	2	2	2	2	2
	Sliding roller	2	2	2	2	2	2	2
	Bolts 6x12	100	110	120	140	170	180	190
	Bolts 6x30	2	2	2	4	6	8	8
	Nuts 6x1	105	115	125	145	180	190	200
	Bolts, washer, 2 nuts 7x20	1	1	1	2	3	4	4
	Bolts, washer, nuts 10x20	2	2	2	2	2	2	2
	Tapping screws 4,8x25	8	8	8	12	16	20	20
	Tapping screws 4,8x19	5	5	5	5	5	5	5
	Hexagon socket screws	0	0	44	44	68	88	88
	Nut caps	105	115	125	145	180	190	200
	Gutter end incl. downpipe	2	2	2	2	2	2	2
	Gutter end	2	2	2	2	2	2	2
	Ridge end	2	2	2	2	2	2	2
	Railends (L) sliding door	1	1	1	1	1	1	1
	Railends (R) sliding door	1	1	1	1	1	1	1
	PVC piece gable	4	4	4	4	4	4	4





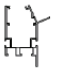






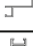

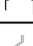

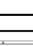









Glass























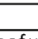
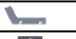







Gable 28,54 x 65,67 inches	9	11	13	15	17	19	21
Sliding door 28,54 x 64,06 inches	1	1	1	1	1	1	1
Roof 28,54 x 65,55 inches	3	5	7	8	9	10	12
Roof window 28,54 x 32,20 inches	1	1	1	2	3	4	4
Underneath roof window 28,54 x 16,02 inches	1	1	1	2	3	4	4
Triangle 28,54 x 15,63 inches	4	4	4	4	4	4	4
Triangle 13,86 x 20,95 inches	4	4	4	4	4	4	4

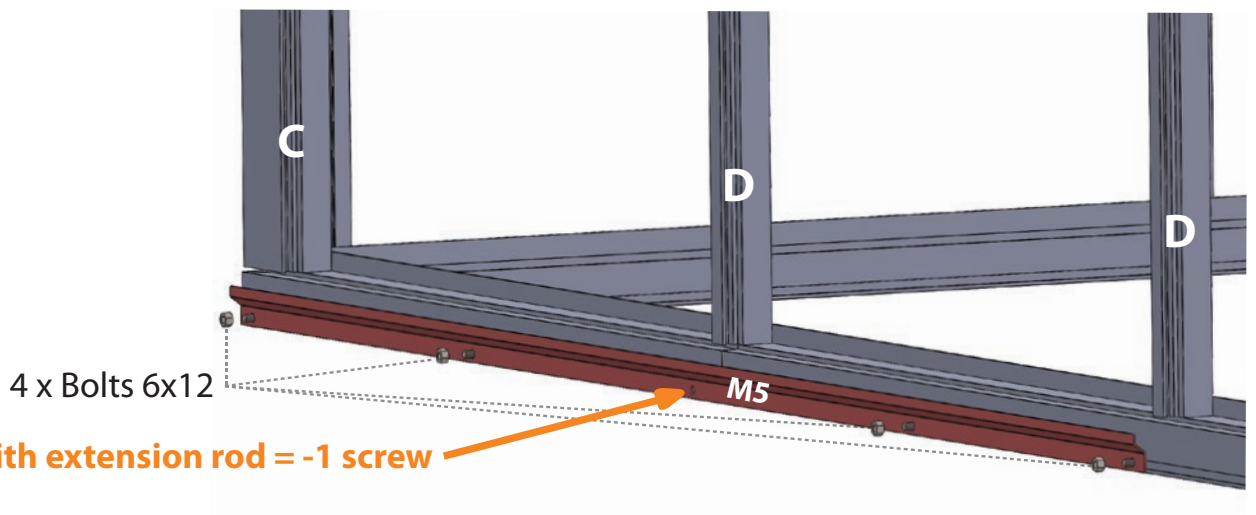
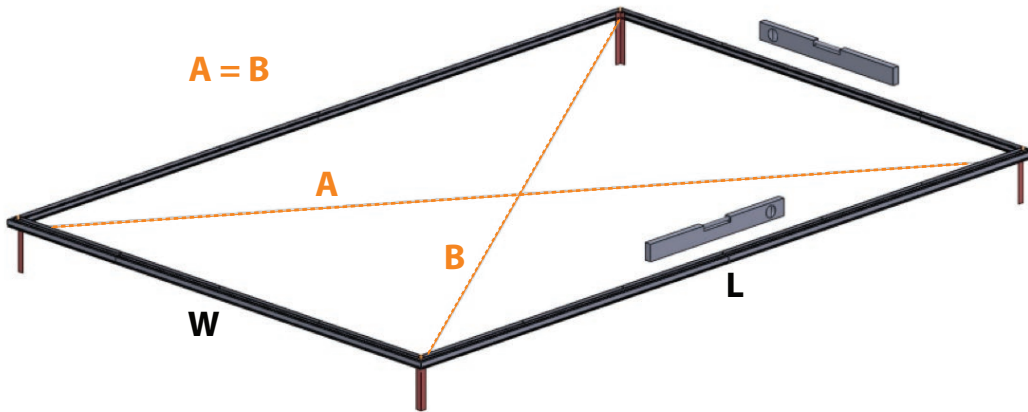
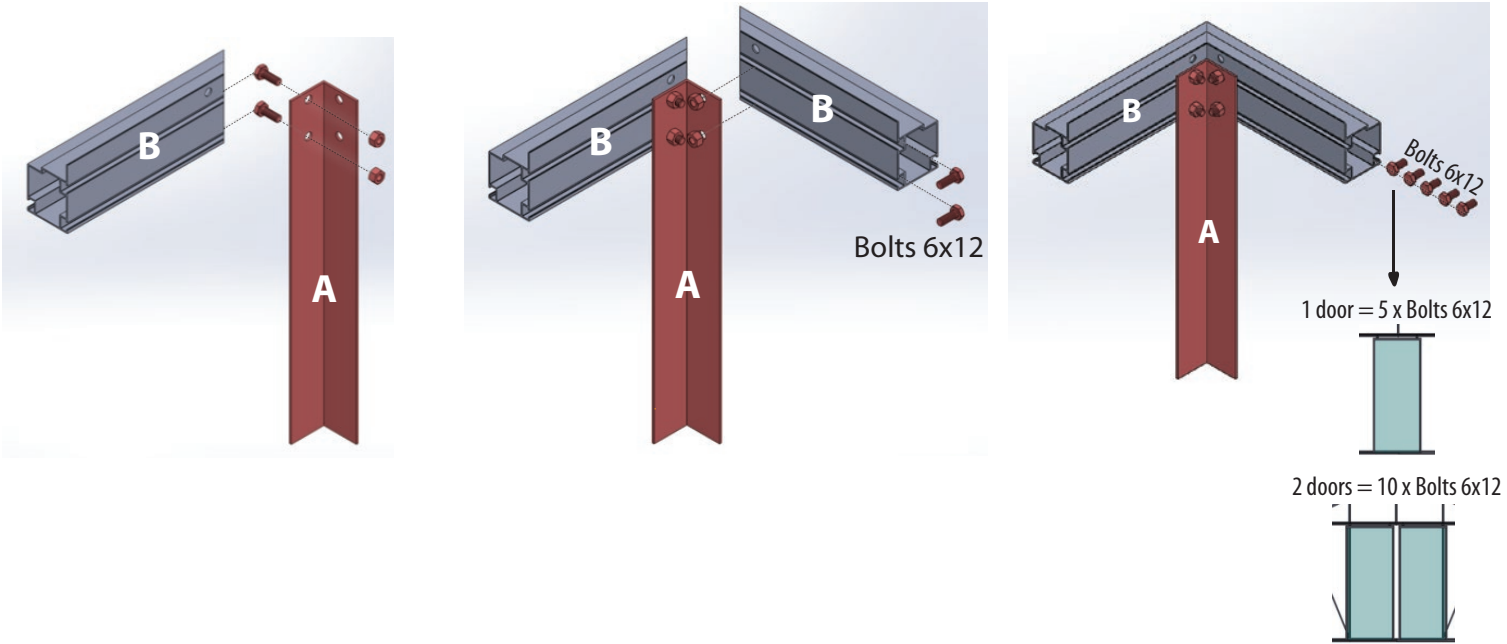
Accoya decors

	B NR2	1,8x0,8x0,9	19	19	38	38	38	38
	B NR4	3,15x1x0,4	19	19	38	38	38	38
	B NR5	3,15x0,4x0,4	38	38	76	76	76	76
	ACCS	1,38x0,7x0,7	0	0	8	8	8	8
	ACCT	50,7x1,77x0,79	19	19	38	38	38	38
	ACCB	69,4x1,77x0,79	19	19	38	38	38	38
	AS	4x20	76	76	152	152	152	152
	ASS	5x100	0	0	8	8	8	8

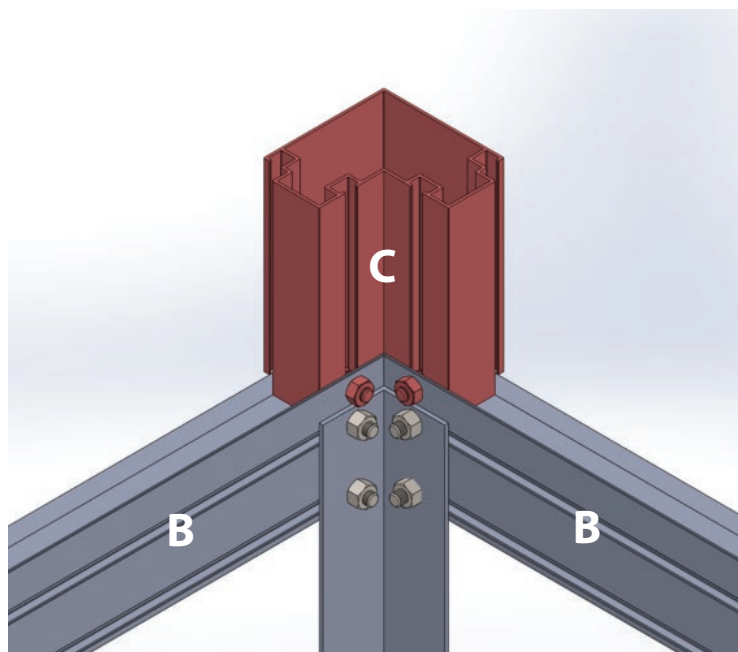
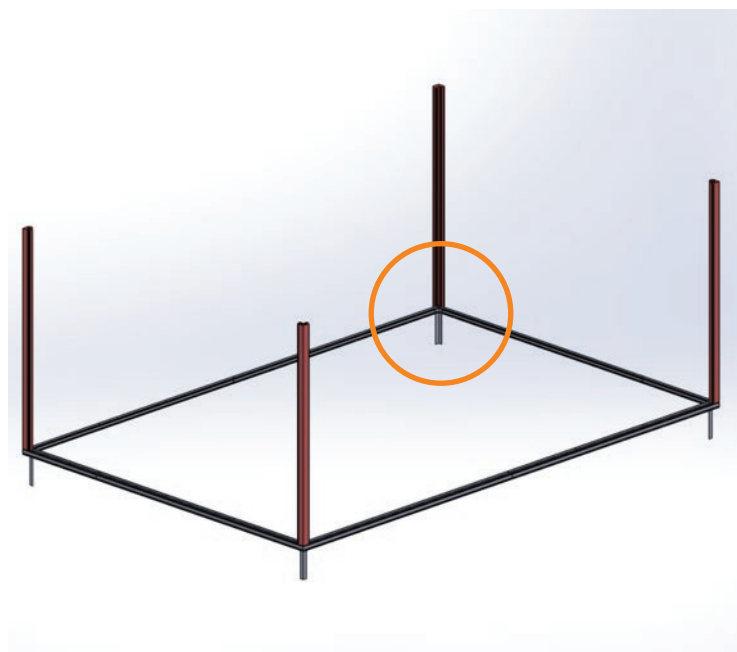
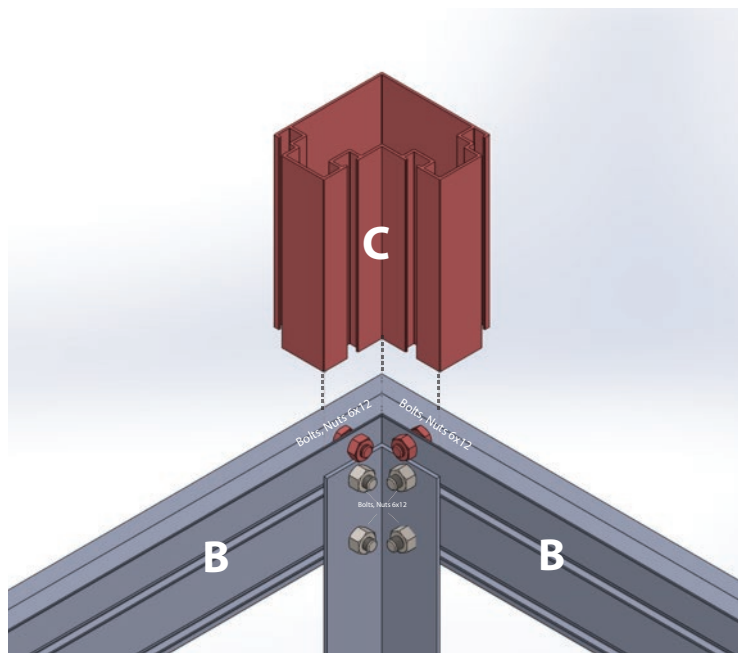
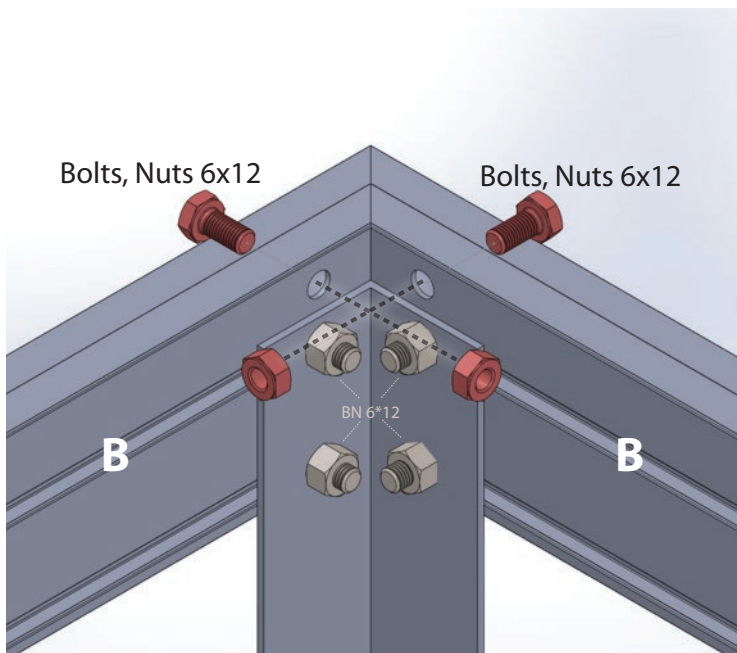
CLASSIFICATION OF PARTS

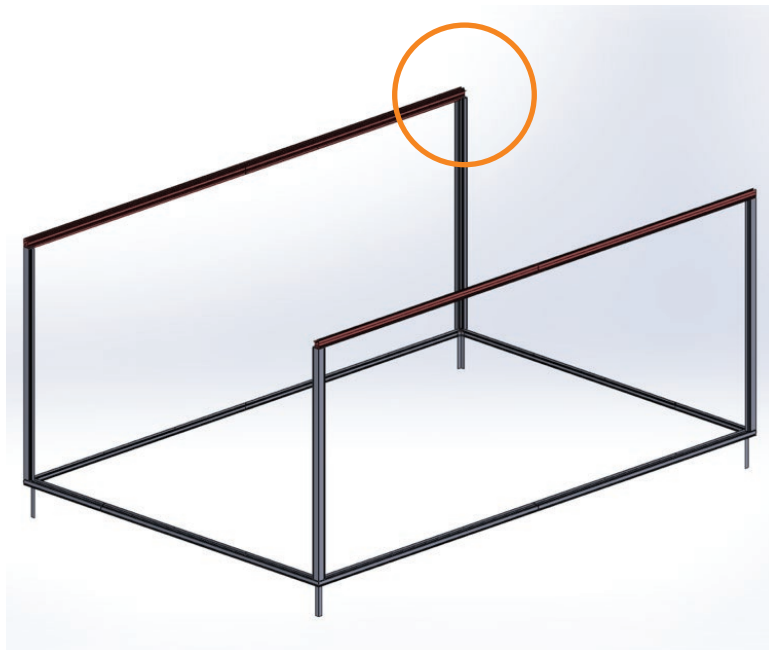
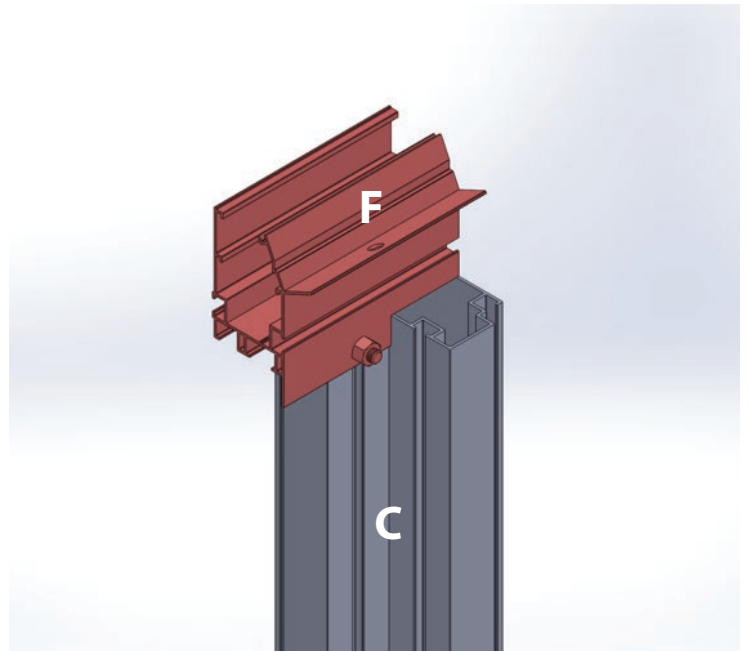
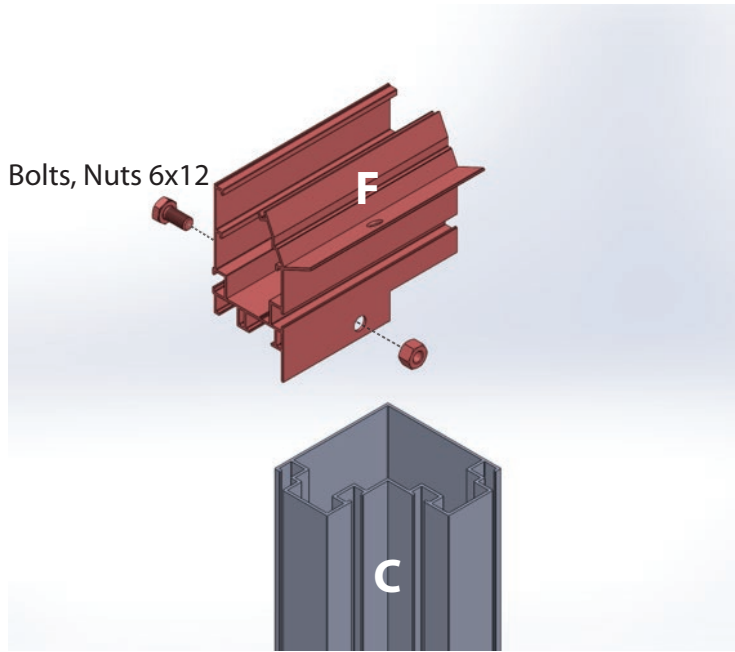
Part description, code and size		122x63,23	122x92,60	122x122	122x151,34	122x180,71	122x210	122x239,45	
	Size (inch)								
	B1	63,23	2						
	B2	90	2	2	4	4	4	4	
	B3	32	2	2	4	2	2	4	
	B5	92,6		2					
	B6	61,34				2			
	B7	90,71					2		
	B8	88,11						2	2
	C1	72	4	4	4	4	4	4	
	D1	72	8	10	12	14	16	18	20
	I1	65	2	4	6	8	10	12	14
	I2	14,92	2	2	2	2	2	2	2
	I3	27,8	2	2	2	2	2	2	2
	I4	14,92	2	2	2	2	2	2	2
	I7	28	1	1	1	2	3	4	4
	E1	88,39	2	2	2	2	2	2	2
	E2	30,35	2	2	2	2	2	2	2
	F1	63,15	2						
	F2	92,52		2					
	F3	90			2	2	2	2	2
	F4	31,93			2			2	
	F6	61,3				2			2
	F7	90,67					2		
	F8	88,11						2	2
	G1	65	4	4	4	4	4	4	
	K1	63,15	1						
	K2	92,52		1					
	K3	90			1	1	1	1	1
	K4	31,93			1			1	
	K6	61,3				1			1
	K7	90,67					1		
	K8	88,11						1	1
	L1	30,63	1	1	1	2	3	4	4
	L2	32,52	2	2	2	4	6	8	8
	L3	30,63	1	1	1	2	3	4	4
	M1	30,63	1	1	1	1	1	1	1
	M2	71,1	2	2	2	2	2	2	2
	M3	30,63	1	1	1	1	1	1	1
	M4	60,24	1	1	1	1	1	1	1
	M5	60,24	1	1	1	1	1	1	1
	M7	71,65	2	2	2	2	2	2	2
	S1	11,81	6	6	17	17	17	28	28
	ME1	41,85	2	2	2	2	2	2	2
	ME2	78	8	8	8	8	8	8	8
	ME4	58,07	0	0	1	2	0	0	0
	ME9	11.81 x 11.81	0	0	0	0	2 sets	2 sets	3 sets
	ME5	1.38 x 1.38	8	8	8	10	12	14	14
	ME6	2.36 x 2.36	2	2	2	4	6	8	8
	ME7	23,5	1	1	1	2	3	4	4
	ME8	2	8	12	16	20	24	28	32

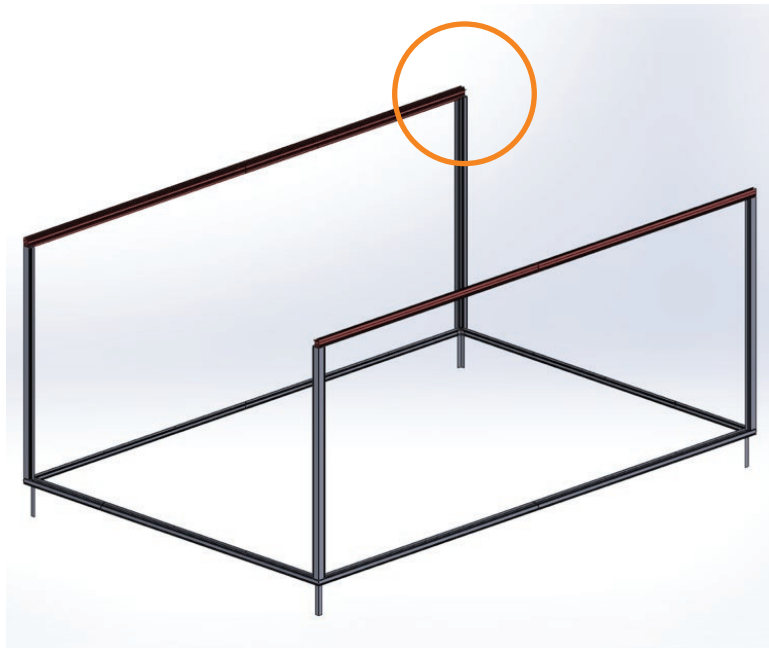
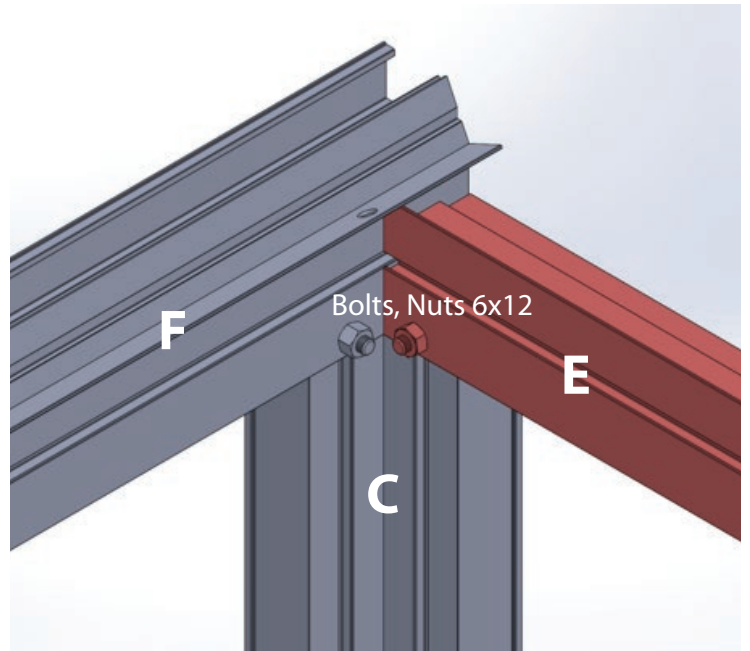
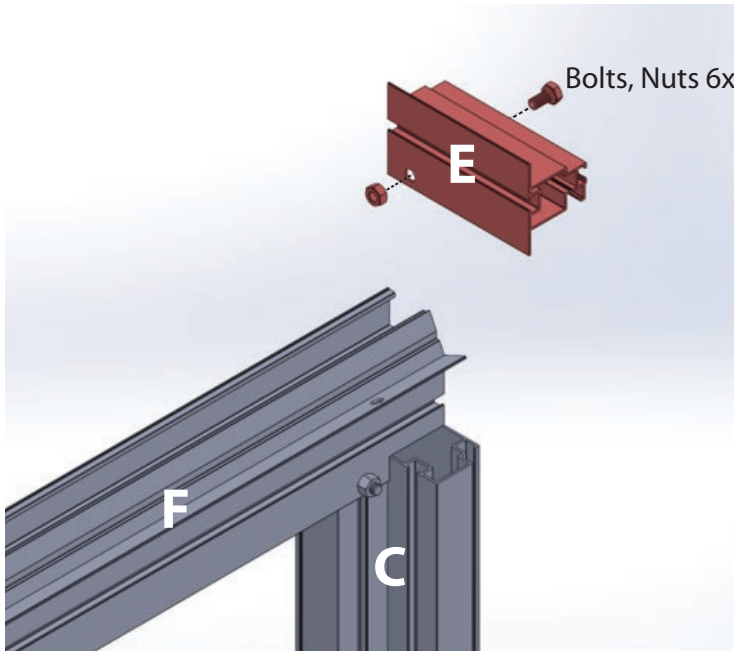
	A1	1.38 x 1.38 x 11.81	4	4	4	4	4	4	4
	A3	0,6x0,6x28	1	1	1	1	1	1	1
	A2	0.59 x 0.59 x 71.1	1 if double doors						
	S2	2.76 x 0.55 x 0.08	1 if double doors						
	Glazing rubber (ft)		298	360	426	476	542	590	656
	Brush strip (in)		142	142	142	142	142	142	142
	Down pipe bend 90° - Ø1,38 in		2	2	2	2	2	2	2
	Sliding roller		2	2	2	2	2	2	2
	Bolts 6x12		100	110	120	140	170	180	190
	Bolts 6x30		2	2	2	4	6	8	8
	Nuts 6x1		105	115	125	145	180	190	200
	Bolts, washer, 2 nuts 7x20		1	1	1	2	3	4	4
	Bolts, washer, nuts 10x20		2	2	2	2	2	2	2
	Tapping screws 4,8x25		8	8	8	12	16	20	20
	Tapping screws 4,8x19		5	5	5	5	5	5	5
	Hexagon socket screws		24	24	68	68	68	112	112
	Nut caps		105	115	125	145	180	190	200
	Gutter end incl. downpipe		2	2	2	2	2	2	2
	Gutter end		2	2	2	2	2	2	2
	Ridge end		2	2	2	2	2	2	2
	Railends (L) sliding door		1	1	1	1	1	1	1
	Railends (R) sliding door		1	1	1	1	1	1	1
	PVC piece gable		4	4	4	4	4	4	4
Glass									
Gable 28,54 x 72,44 in			11	13	15	17	19	21	23
Sliding door 28,54 x 70,75 in			1	1	1	1	1	1	1
Roof 28,54 x 65,67 in			3	5	7	8	9	10	12
Roof window / Underneath roof window 28,54 x 32,20 in			2	2	2	4	6	8	8
Triangle 28,54 x 27,80 in			4	4	4	4	4	4	4
Triangle 28,54 x 15,53 in			4	4	4	4	4	4	4
Accoya decors									
	B NR2	1,8x0,8x0,9	19	19	38	38	38	38	38
	B NR4	3,15x1x0,4	19	19	38	38	38	38	38
	B NR5	3,15x0,4x0,4	38	38	76	76	76	76	76
	ACCS	1,38x0,7x0,7	0	0	8	8	8	8	8
	ACCT	67x1,77x0,79	19	19	38	38	38	38	38
	ACCB	76x1,77x0,79	19	19	38	38	38	38	38
	AS	4x20	76	76	152	152	152	152	152
	ASS	5x100	0	0	8	8	8	8	8

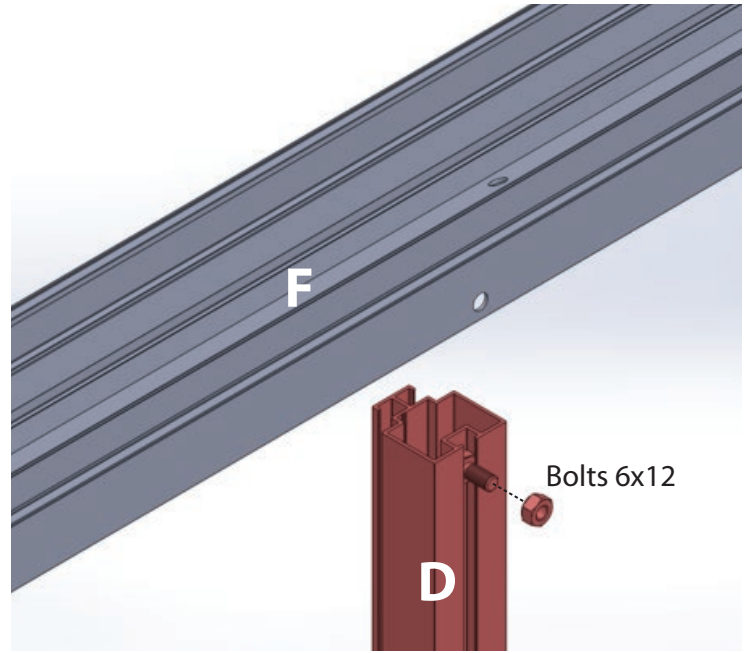
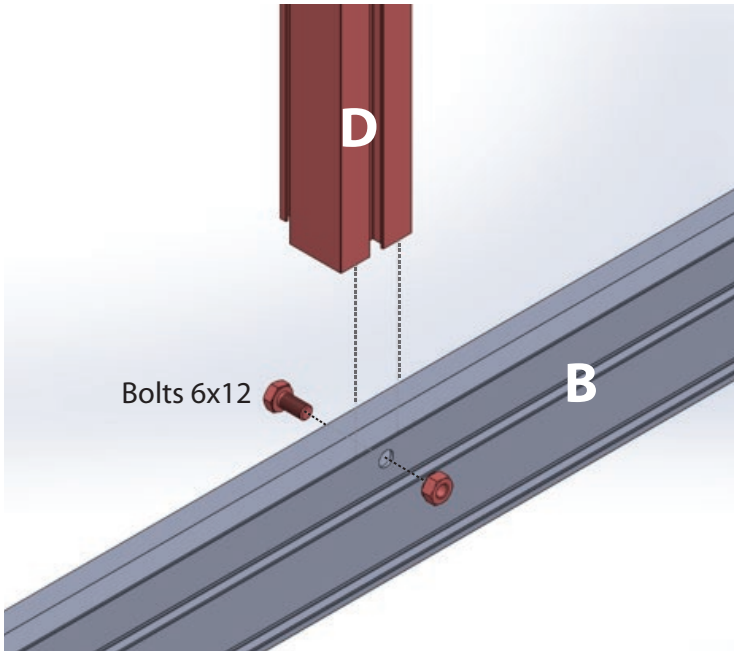


If in conflict with extension rod = -1 screw

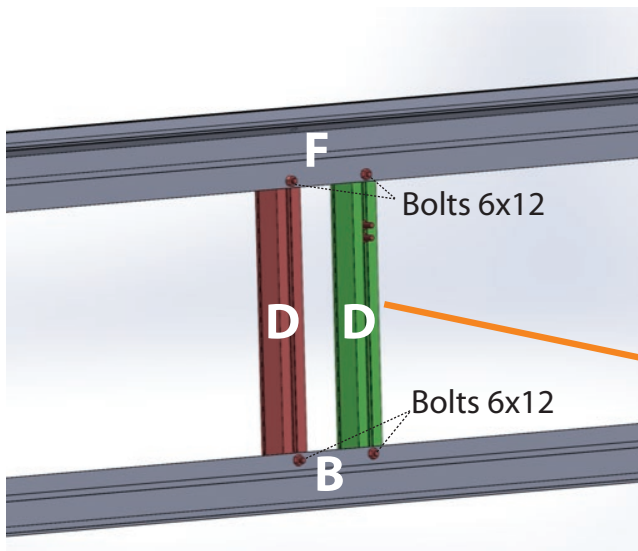
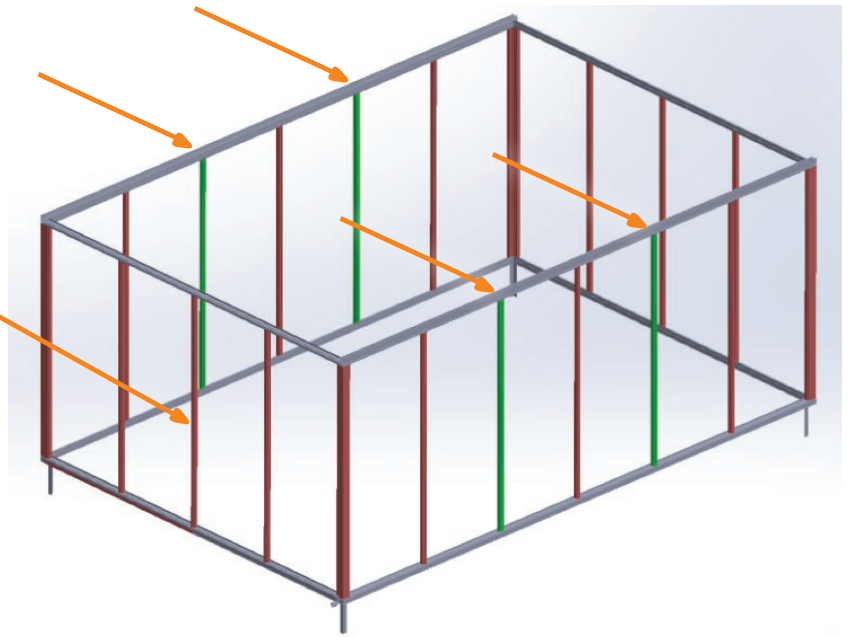




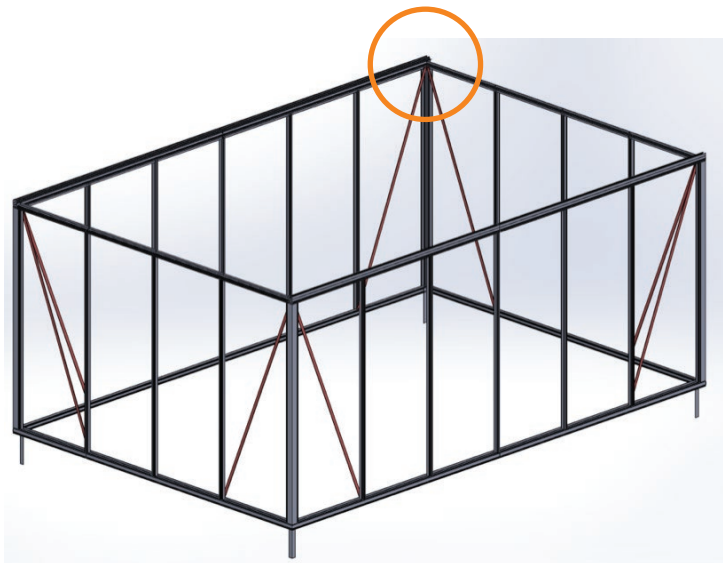
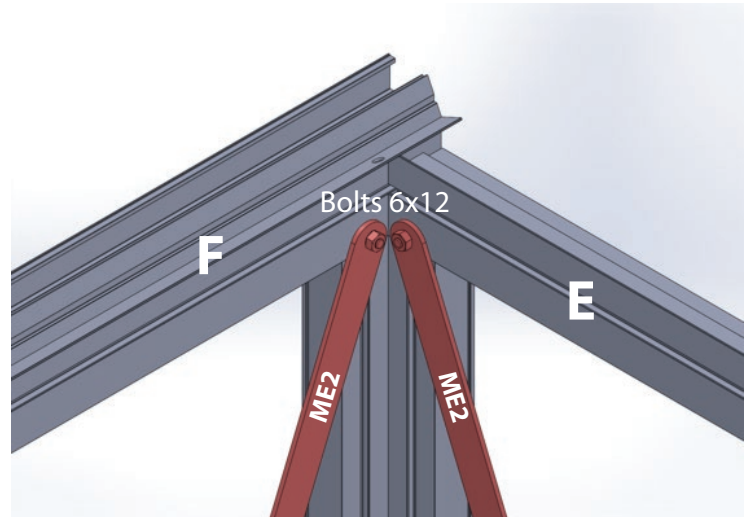
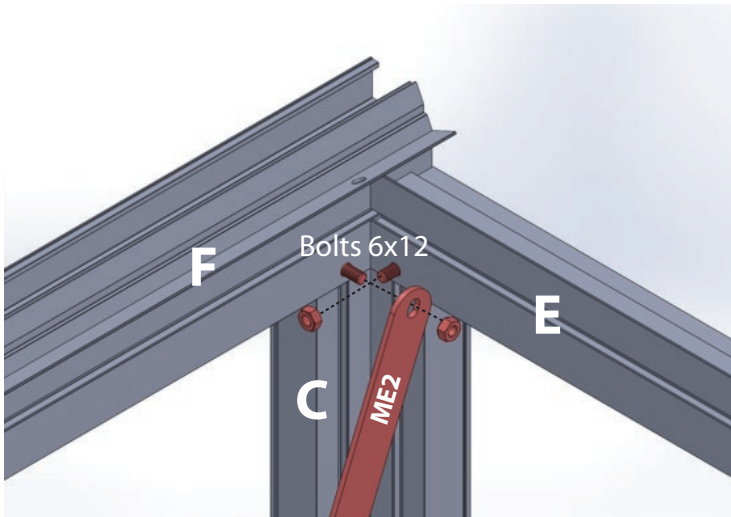
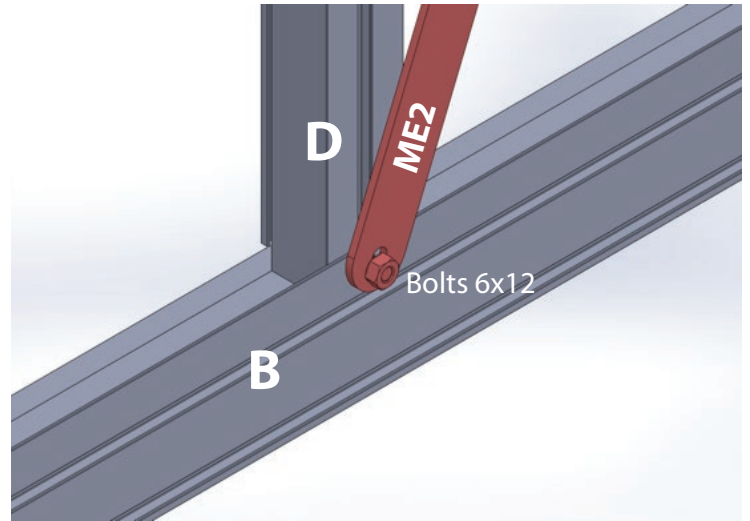
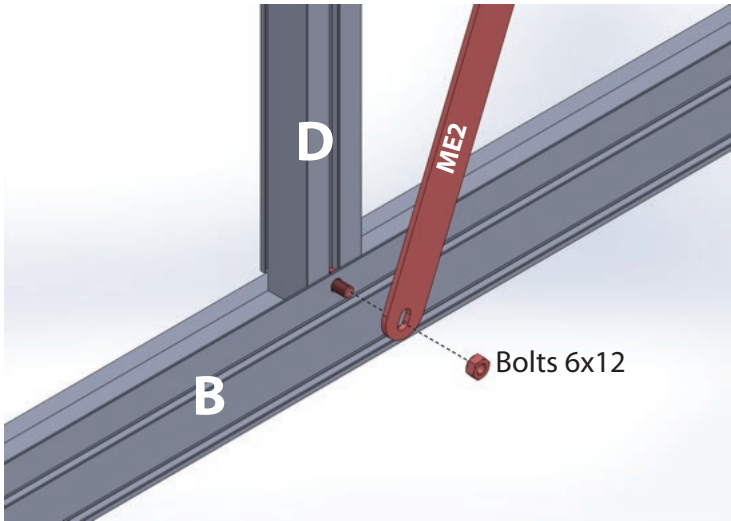




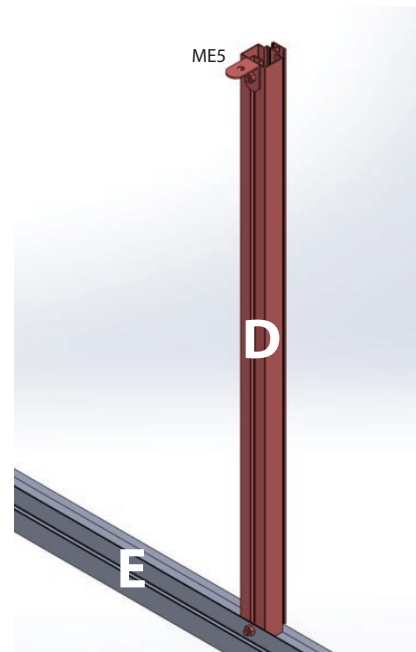
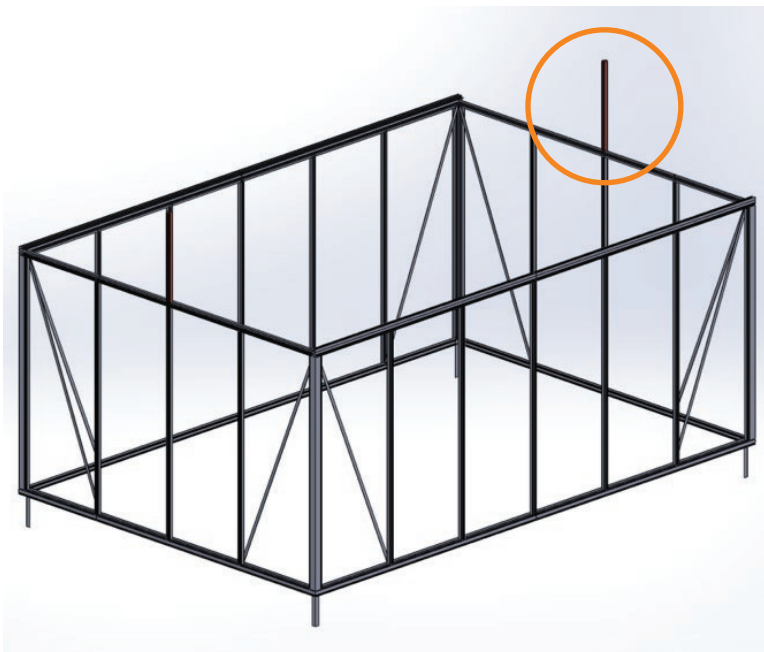
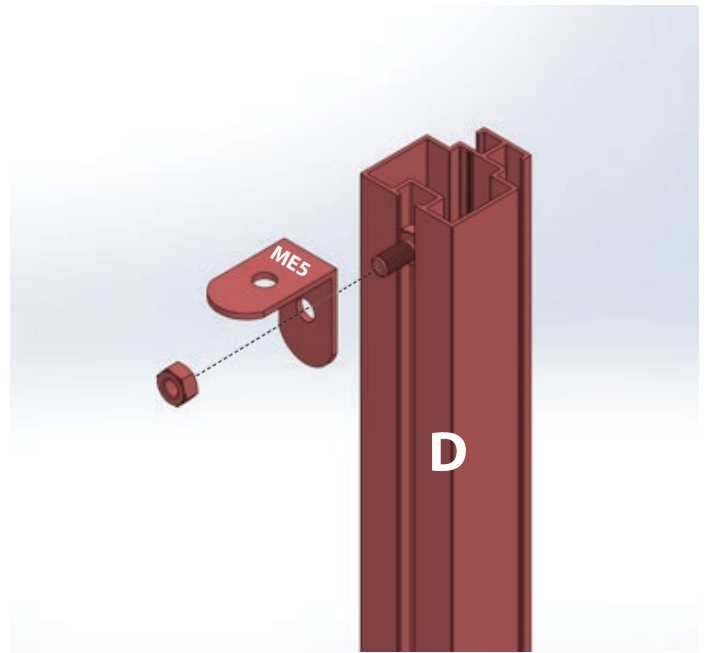
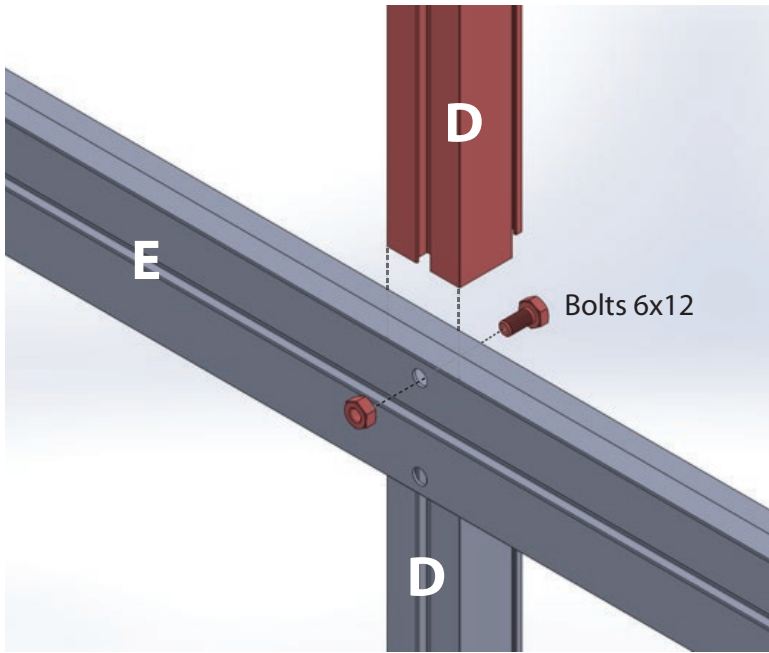
**Middle profile NOT installed if double doors.
Doors can be installed on short and long side.**

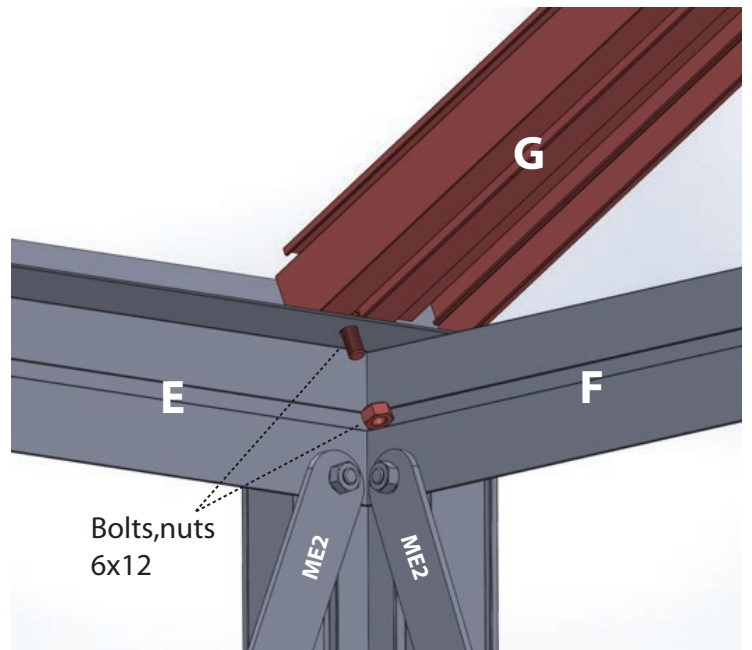
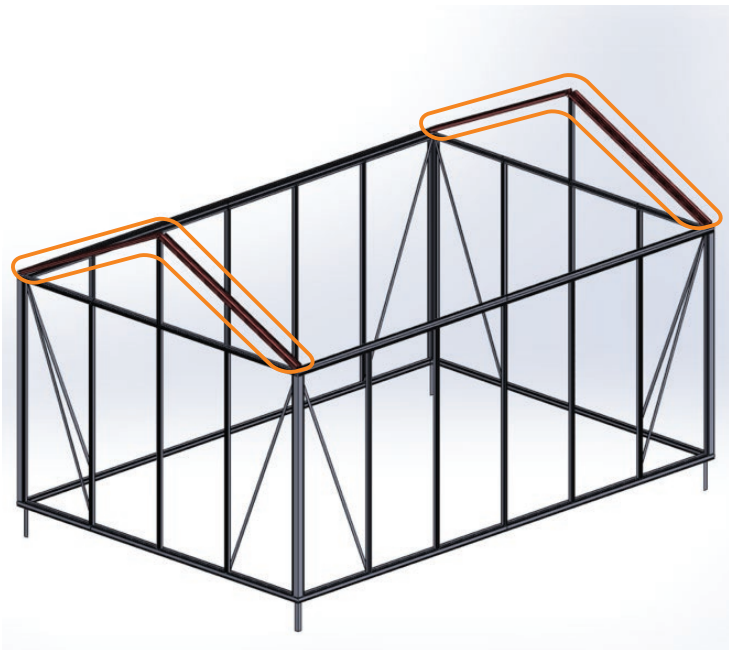
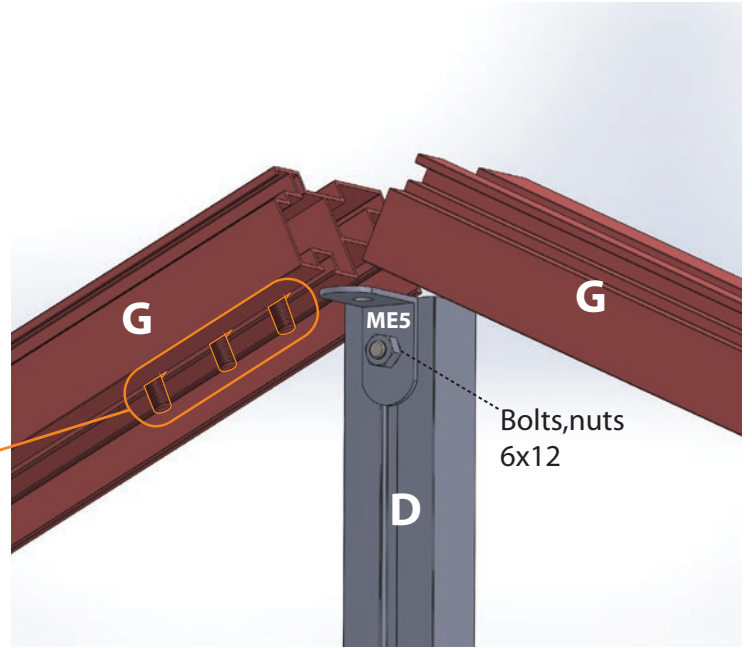
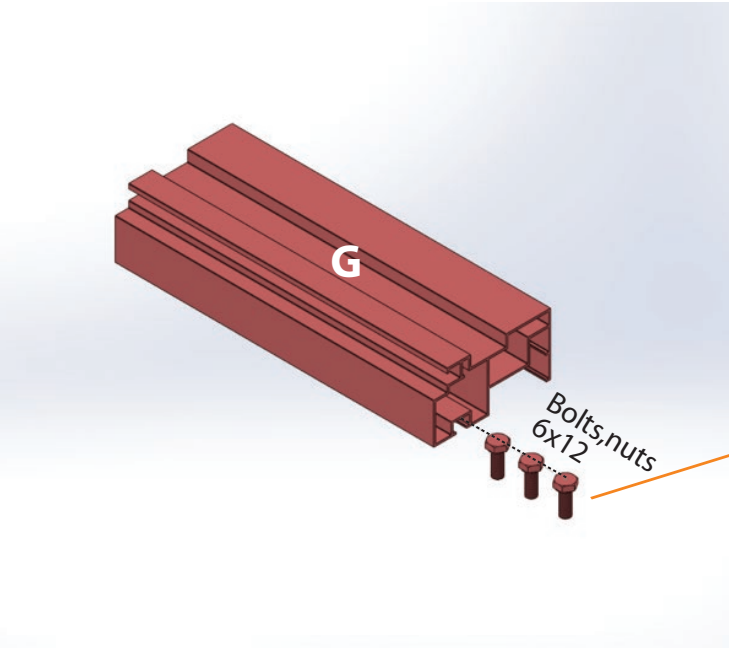


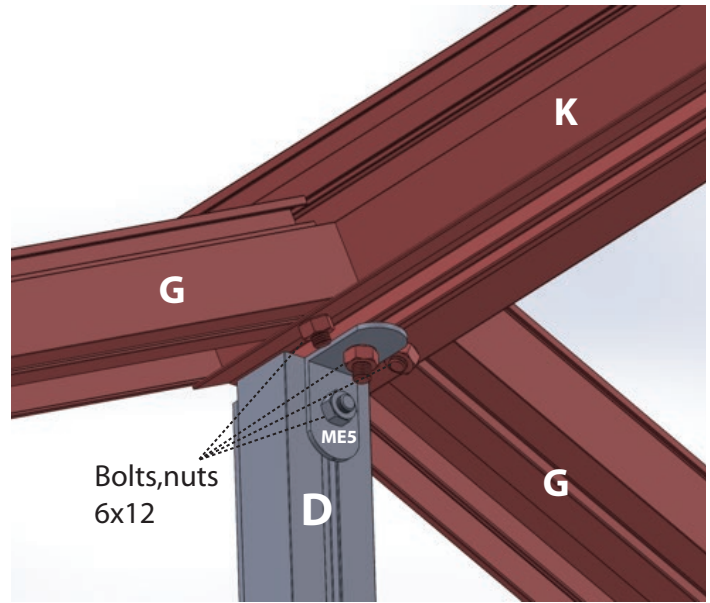
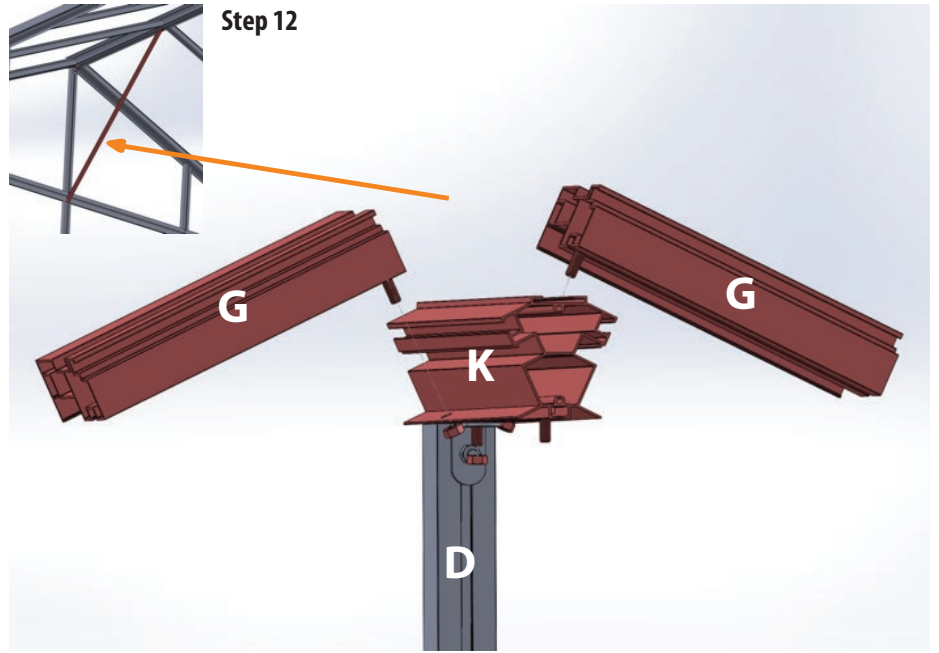
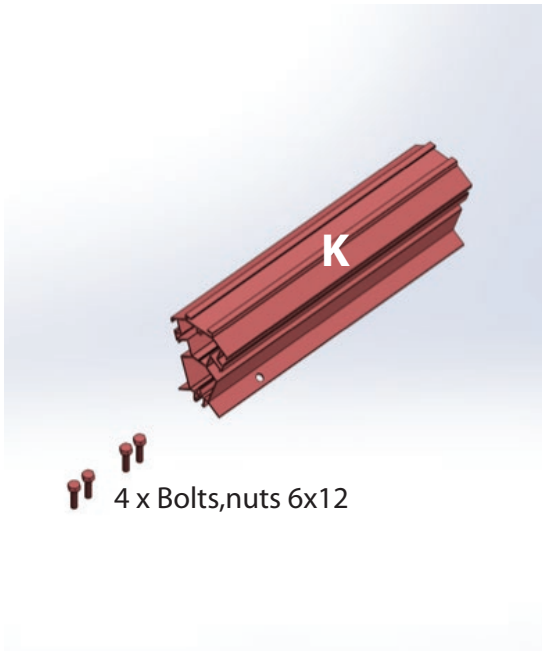
Step 15

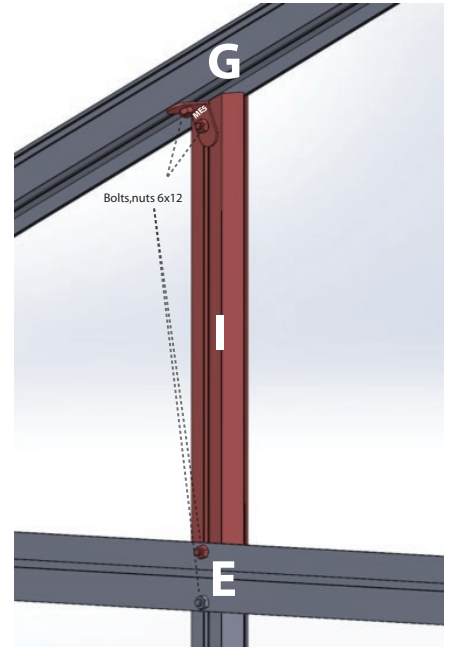
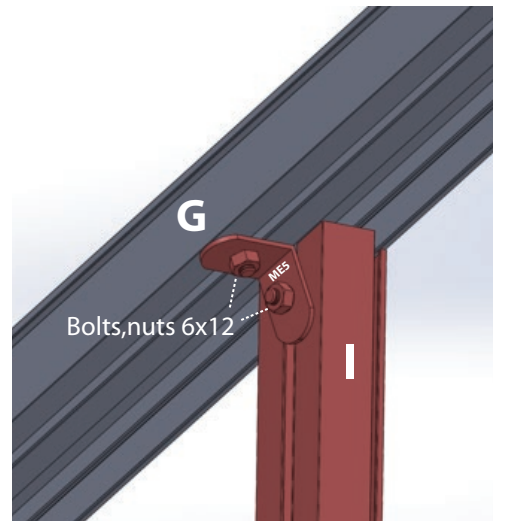
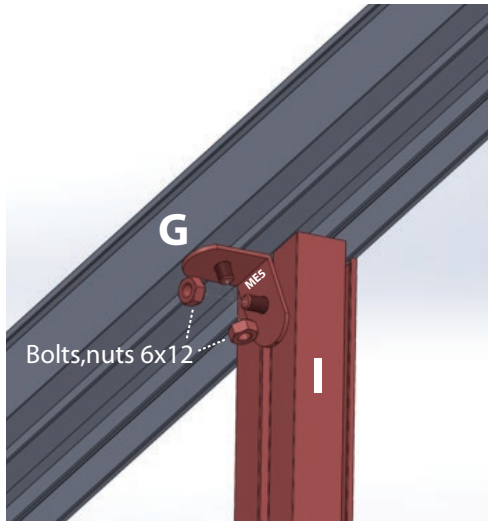
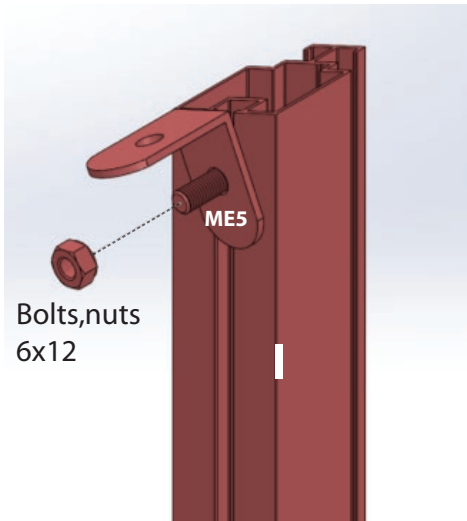


ME10 ← W=92.56"
ME2 ← W=122.01"



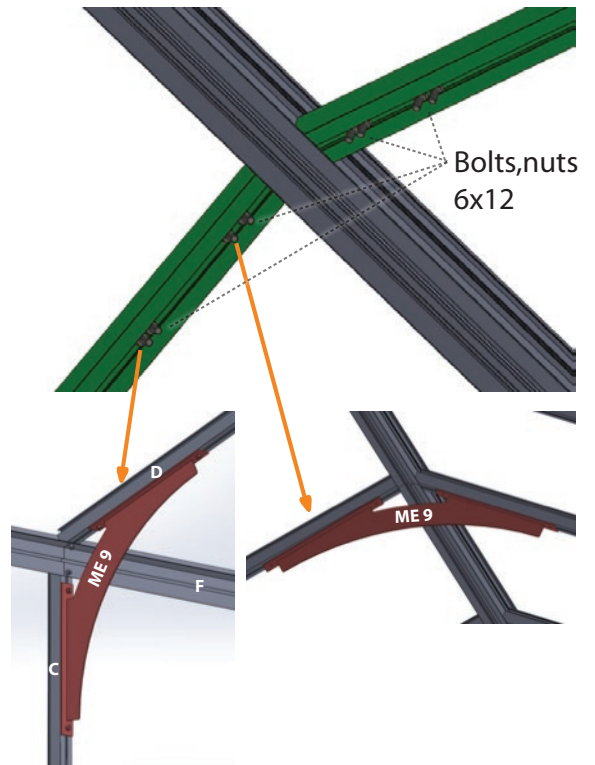






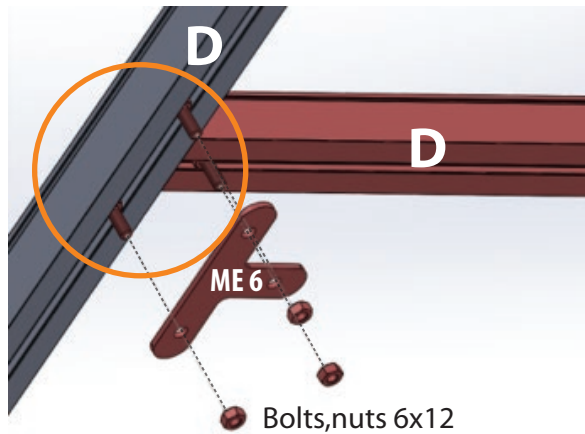


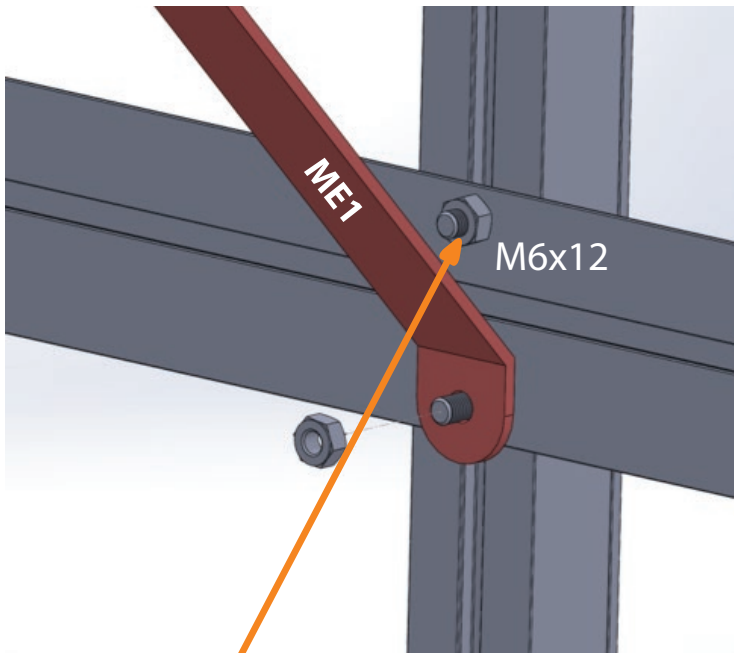
Step 15



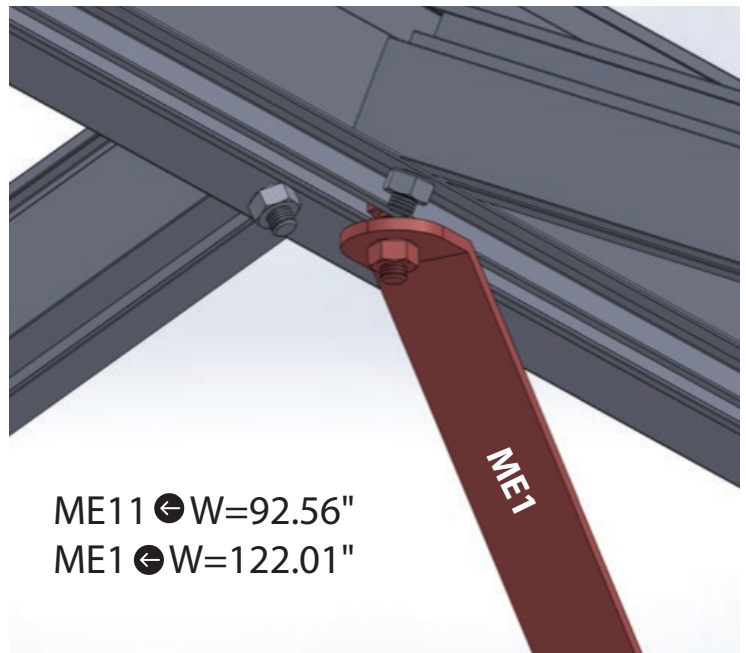
+2x M6x12 for window

Step 13

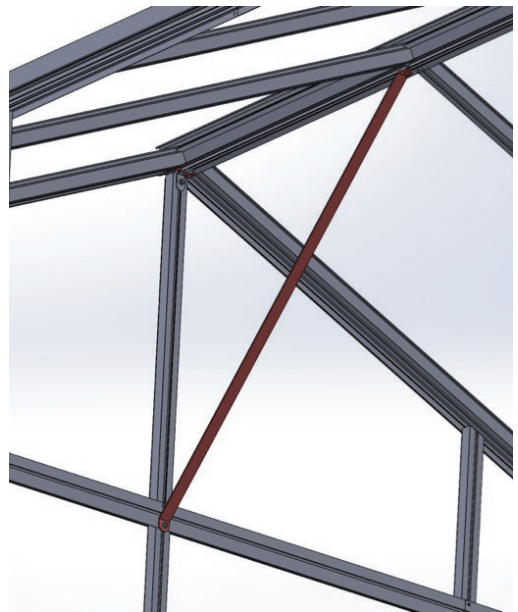


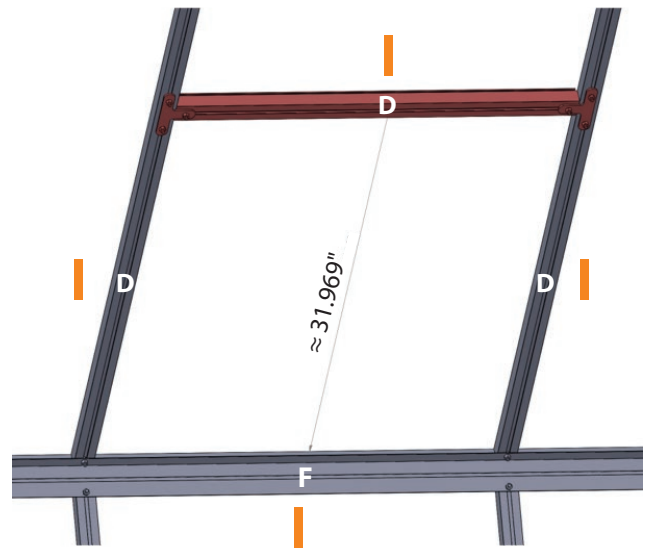
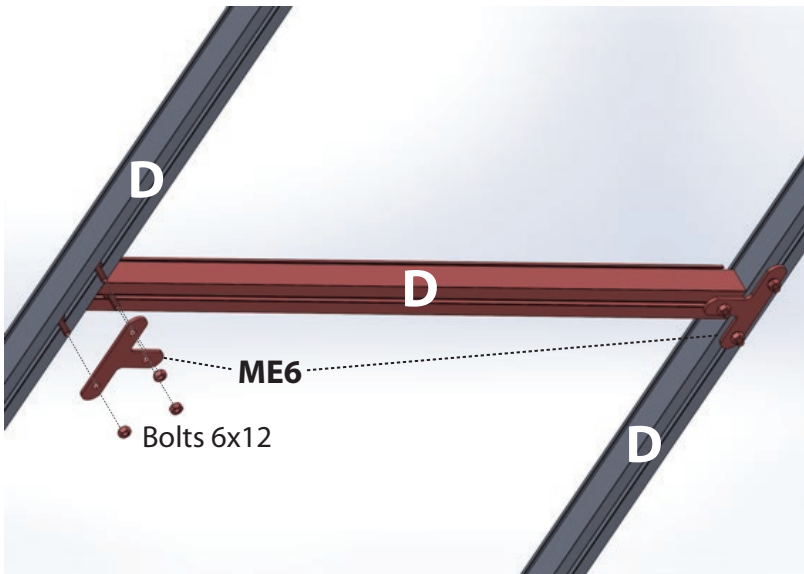
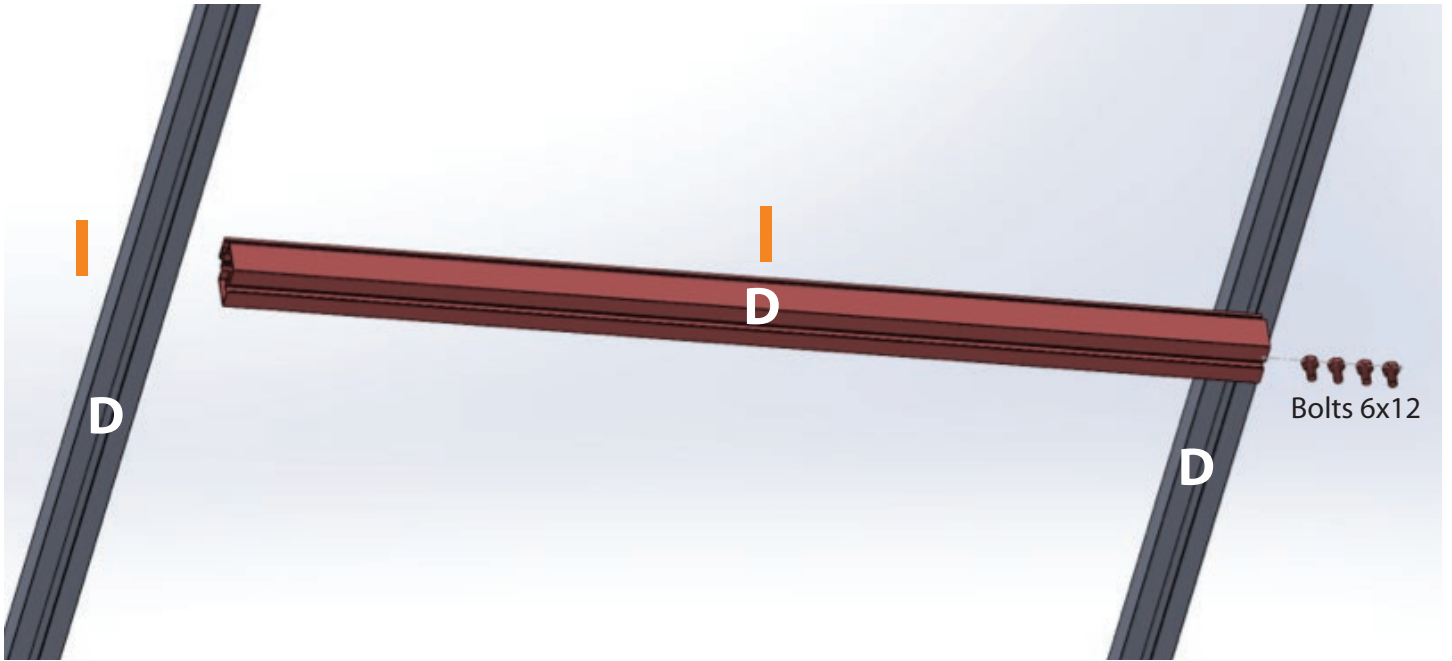


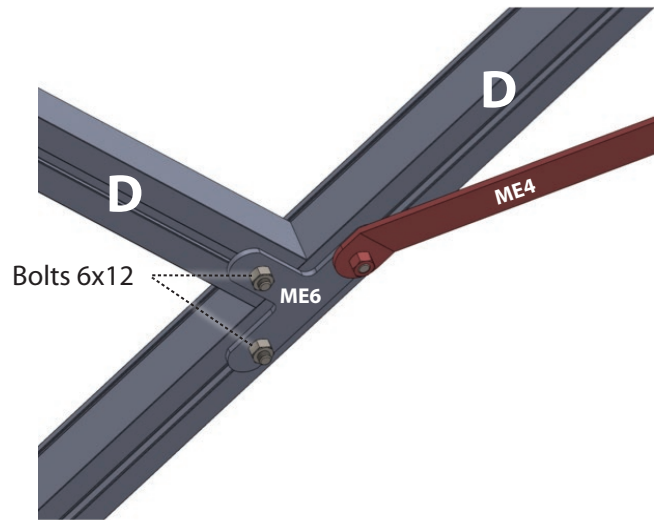
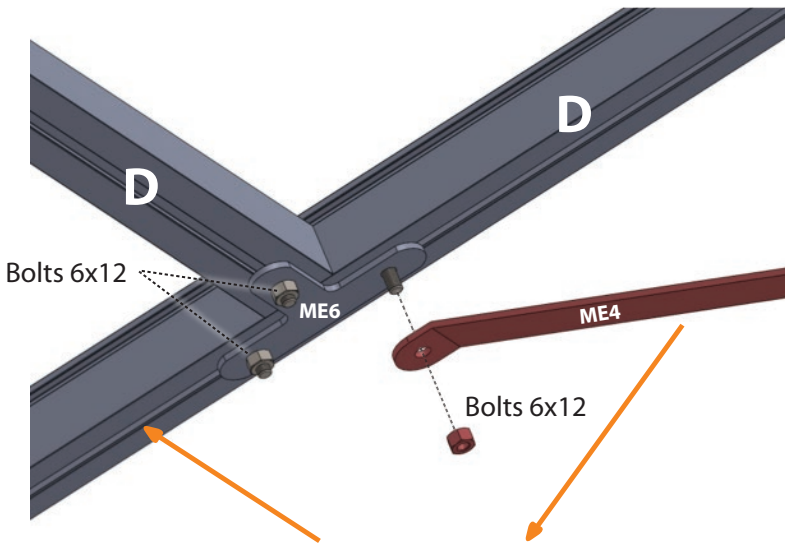
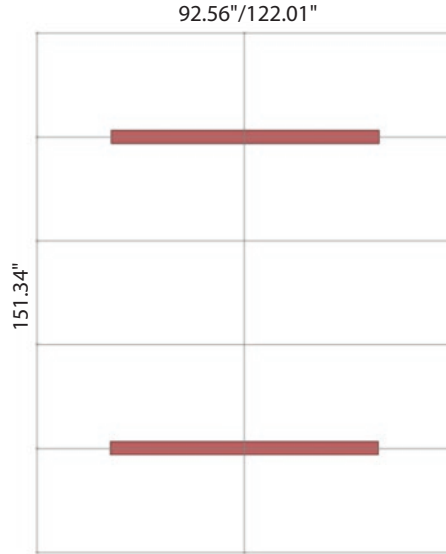
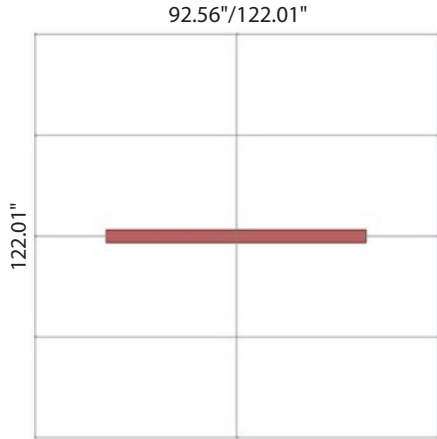
Attach ME11 here



Not used for sizes L = 63.23", 92.60"

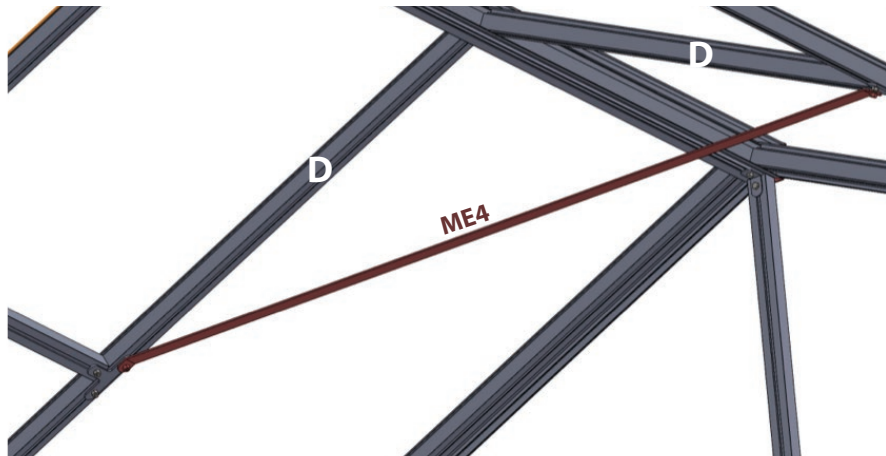




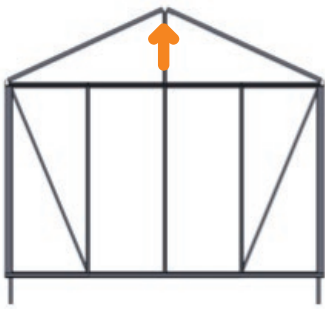
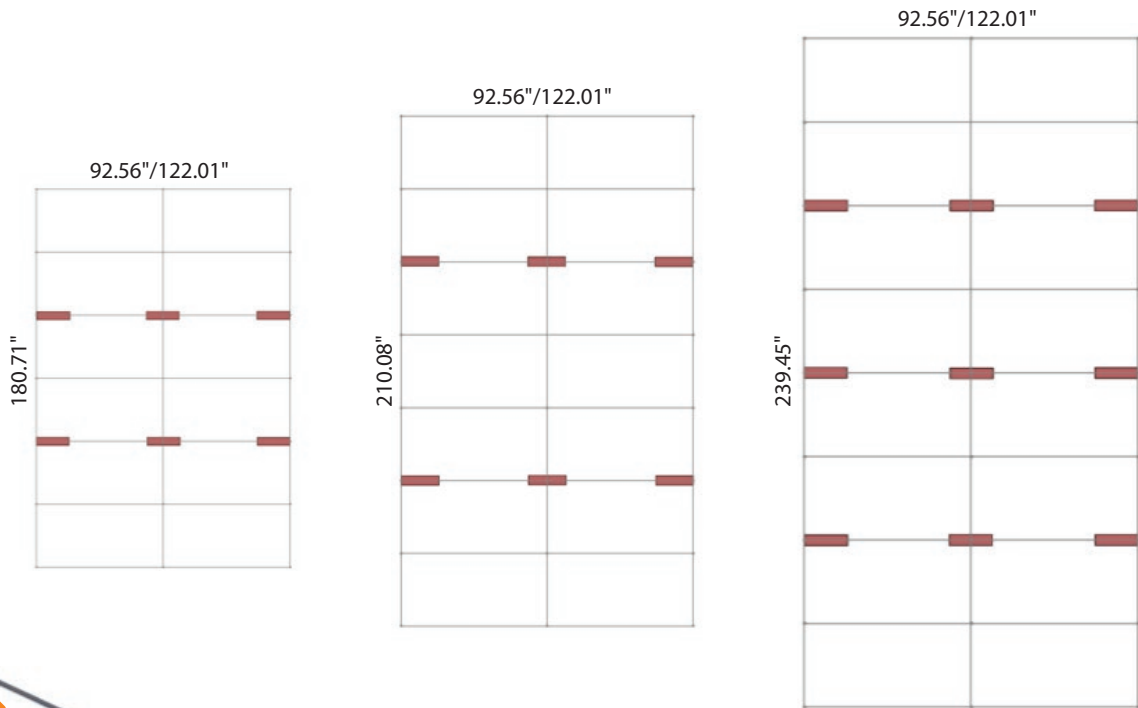


Install ME4 lower with extra screw if your house W=92.56"

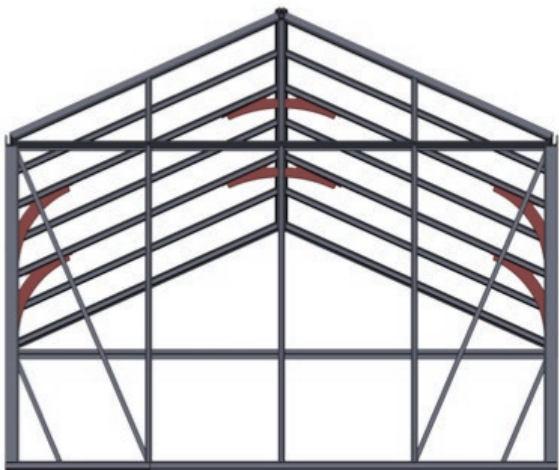
Not used for sizes L = 63.23", 92.60"



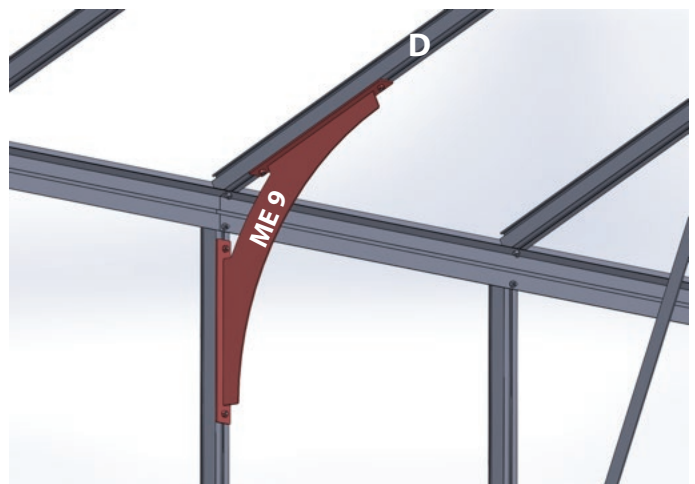
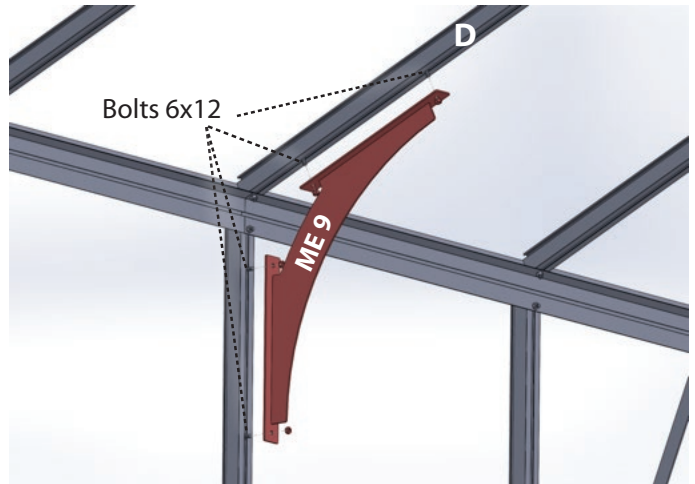
ME9 placement

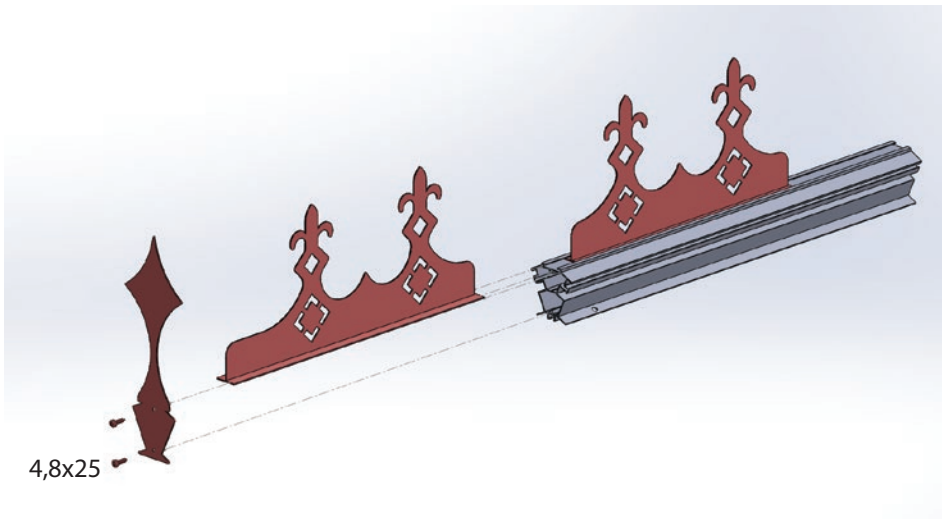
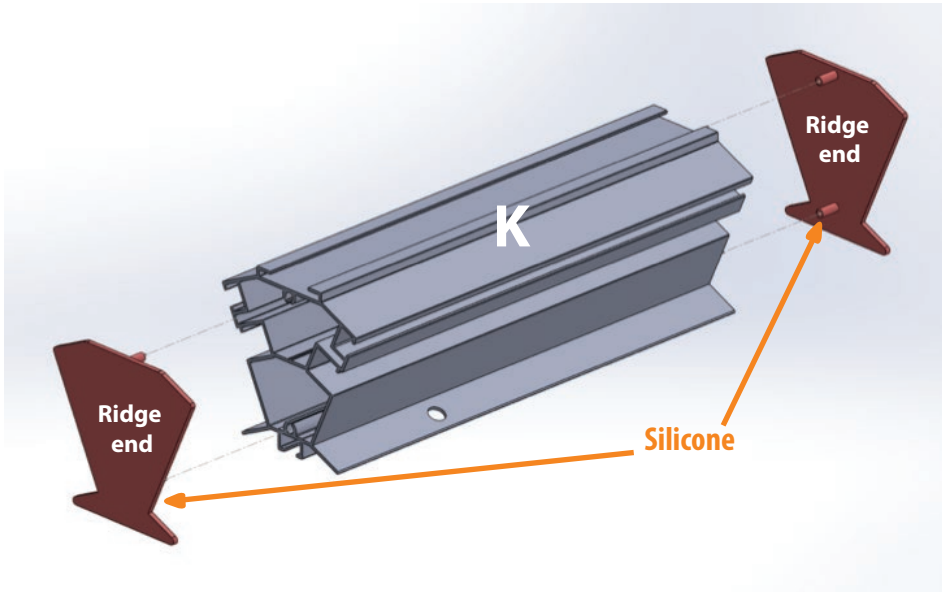


1. Push ridge from inside up by 0.59"
2. Fix the screws

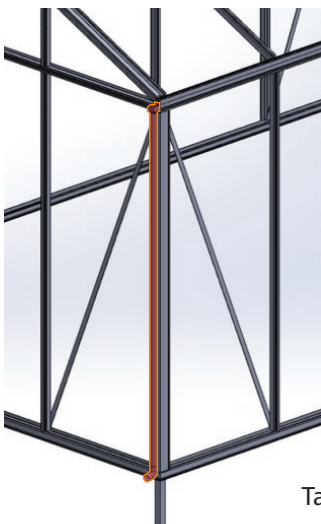


Not used for sizes L = 63.23", 92.60"

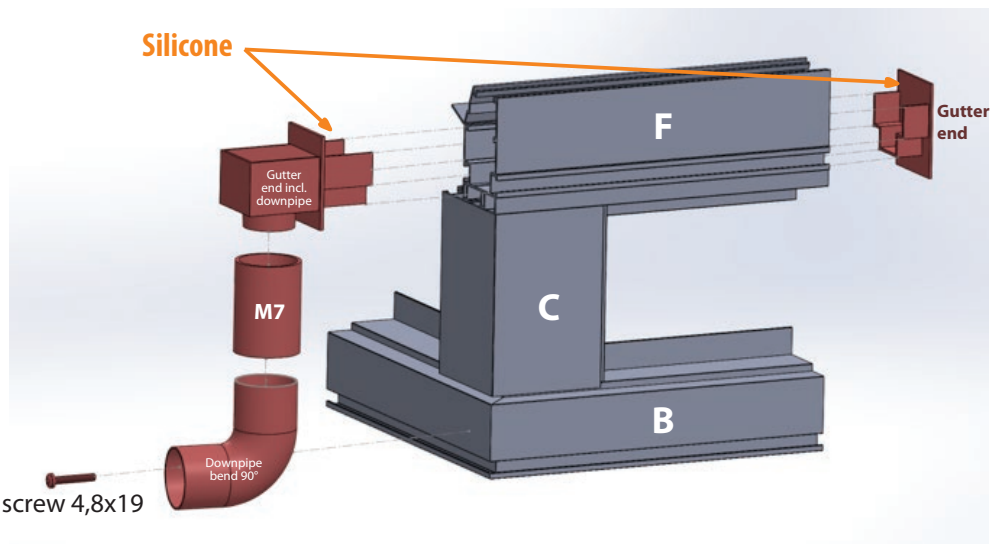


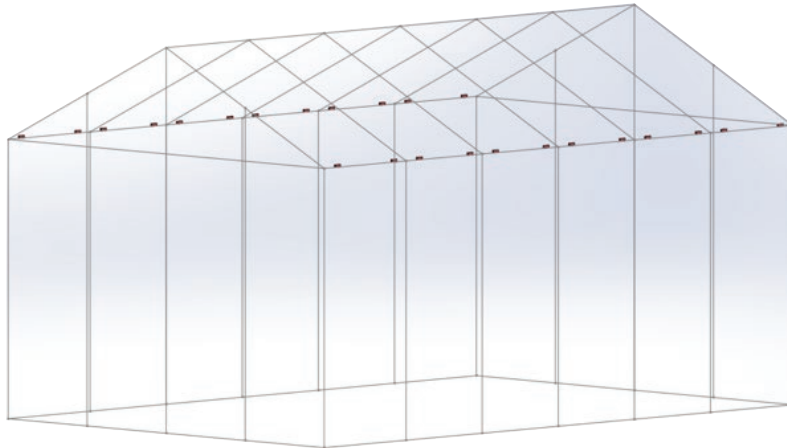
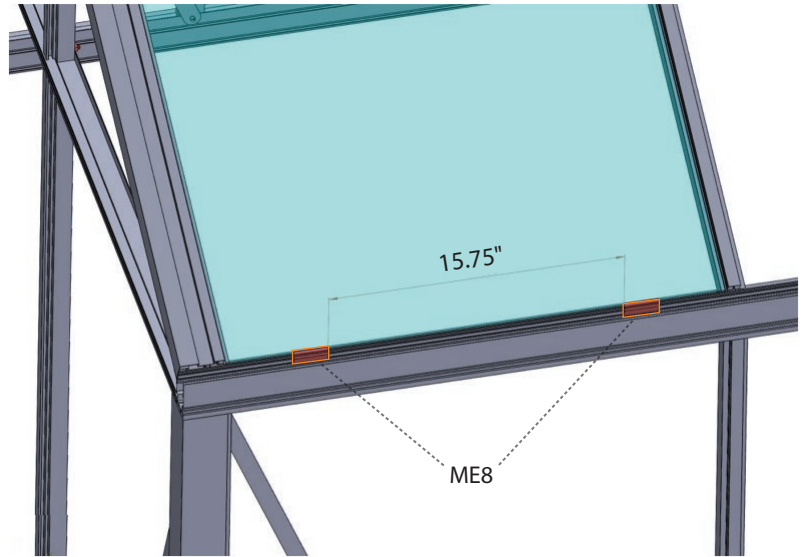
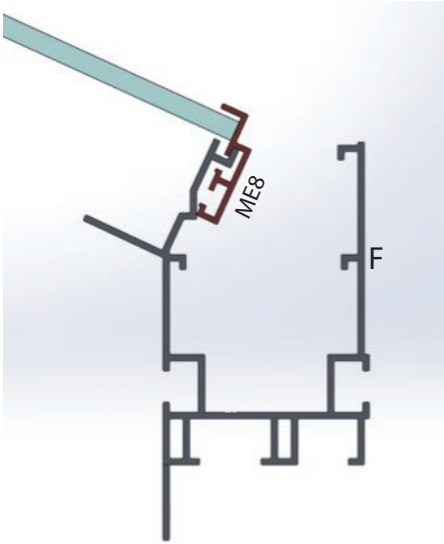
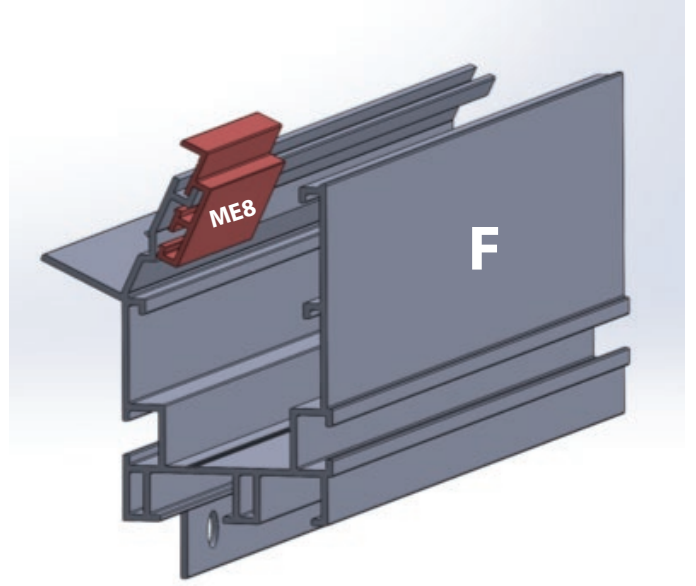
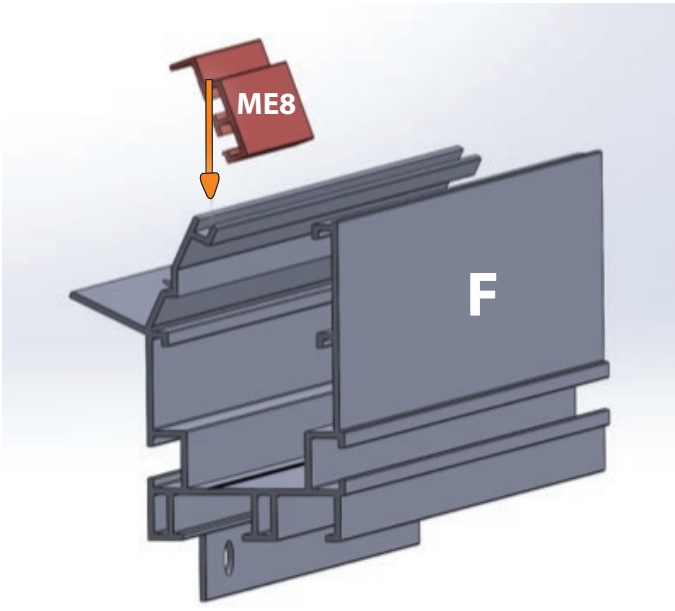


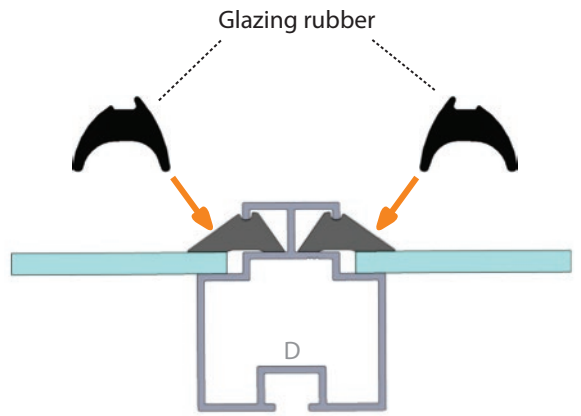
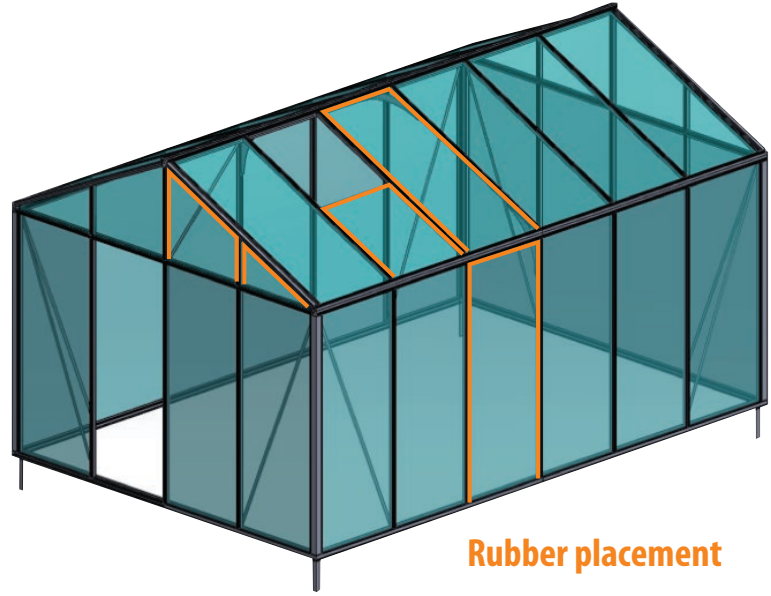
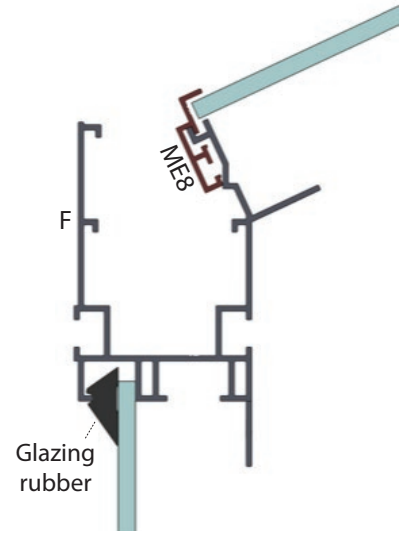
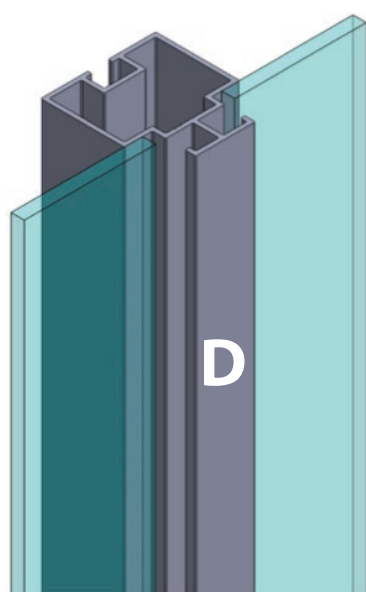
Install ridge decors before roof windows

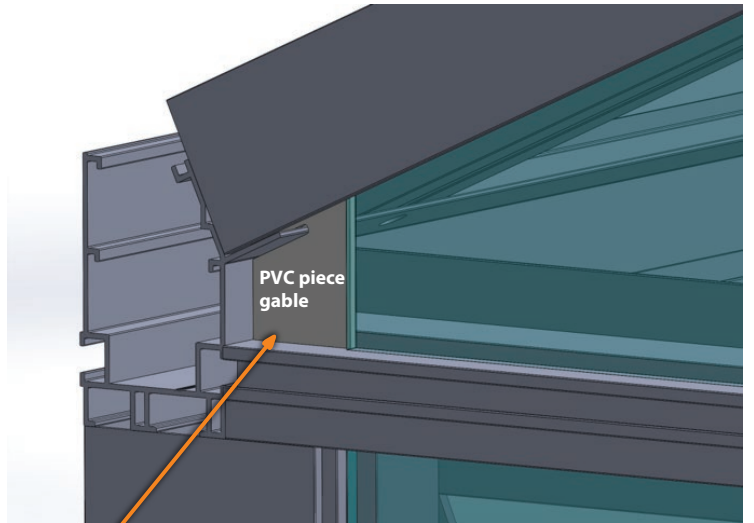
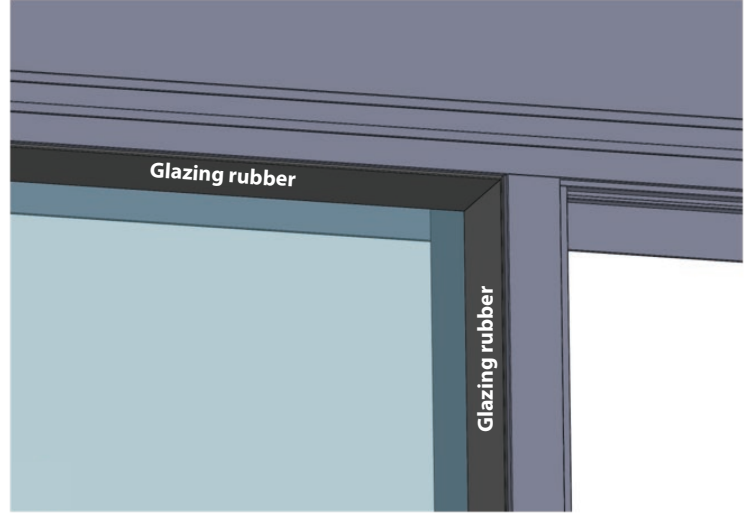
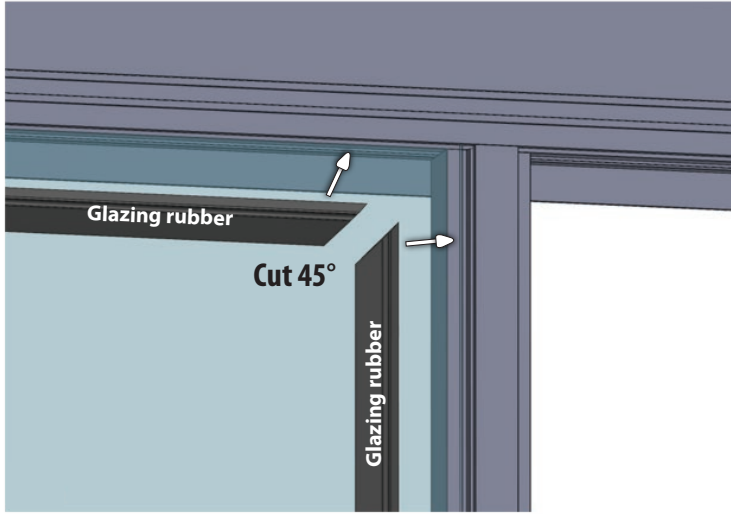


Tapping screw 4,8x19



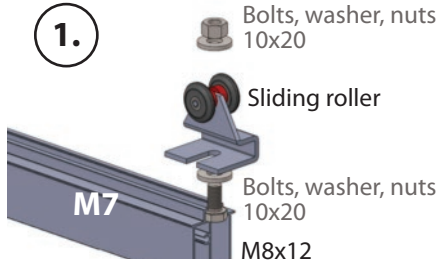






Sliding doors

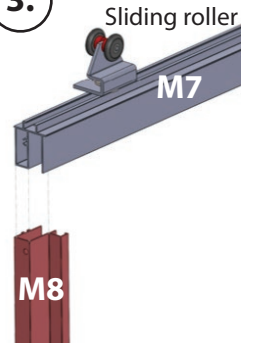
1.



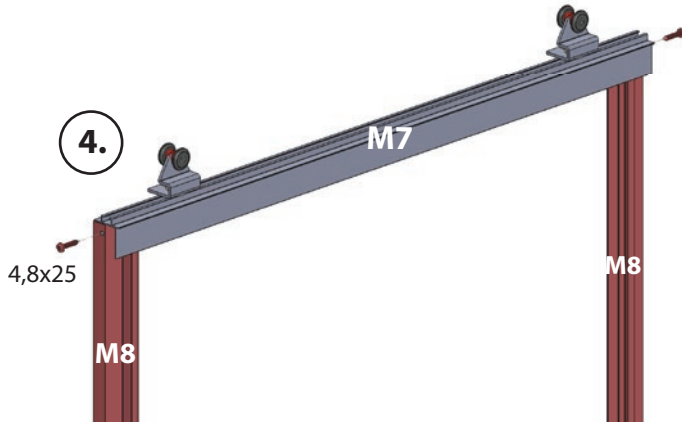
2.



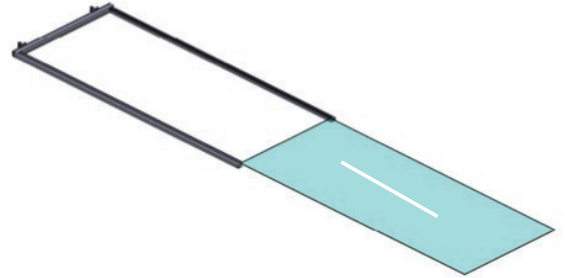
3.



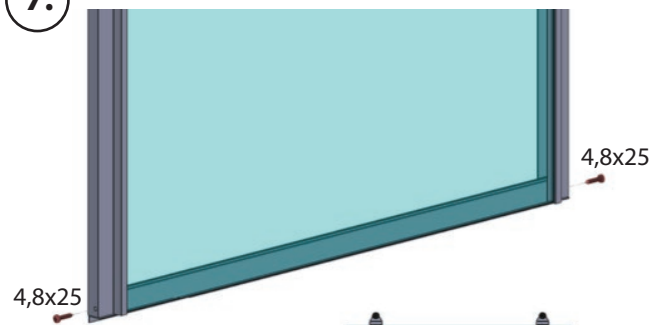
4.



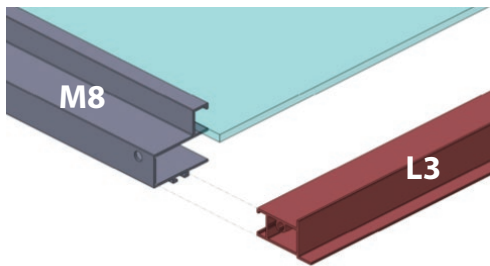
5.



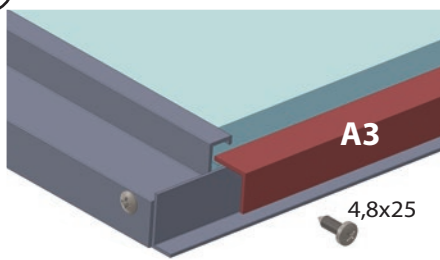
7.



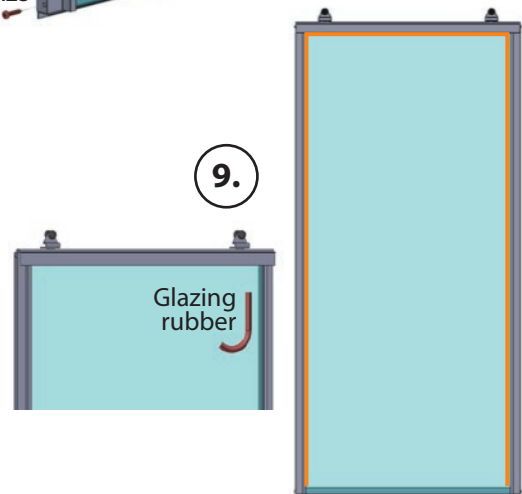
6.



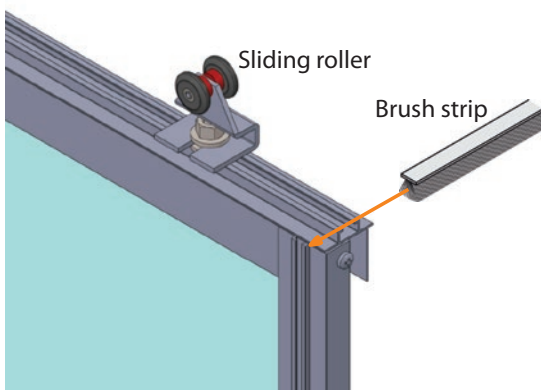
8.



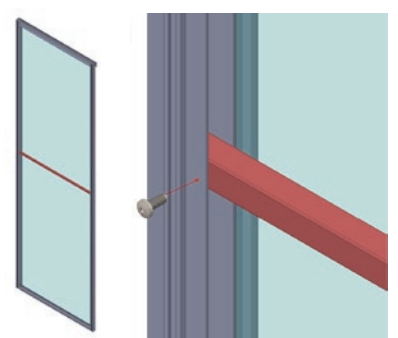
9.



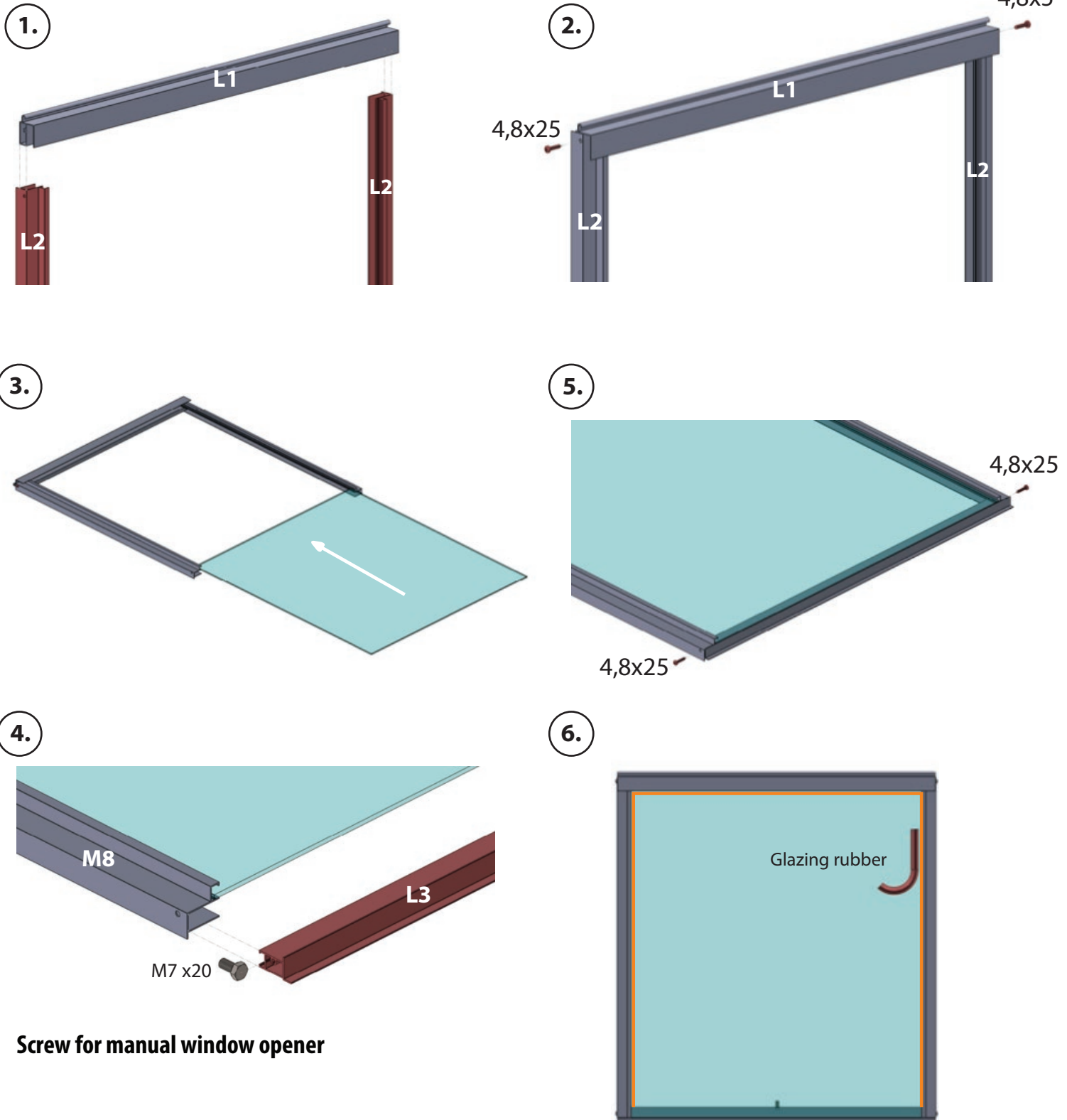
10.



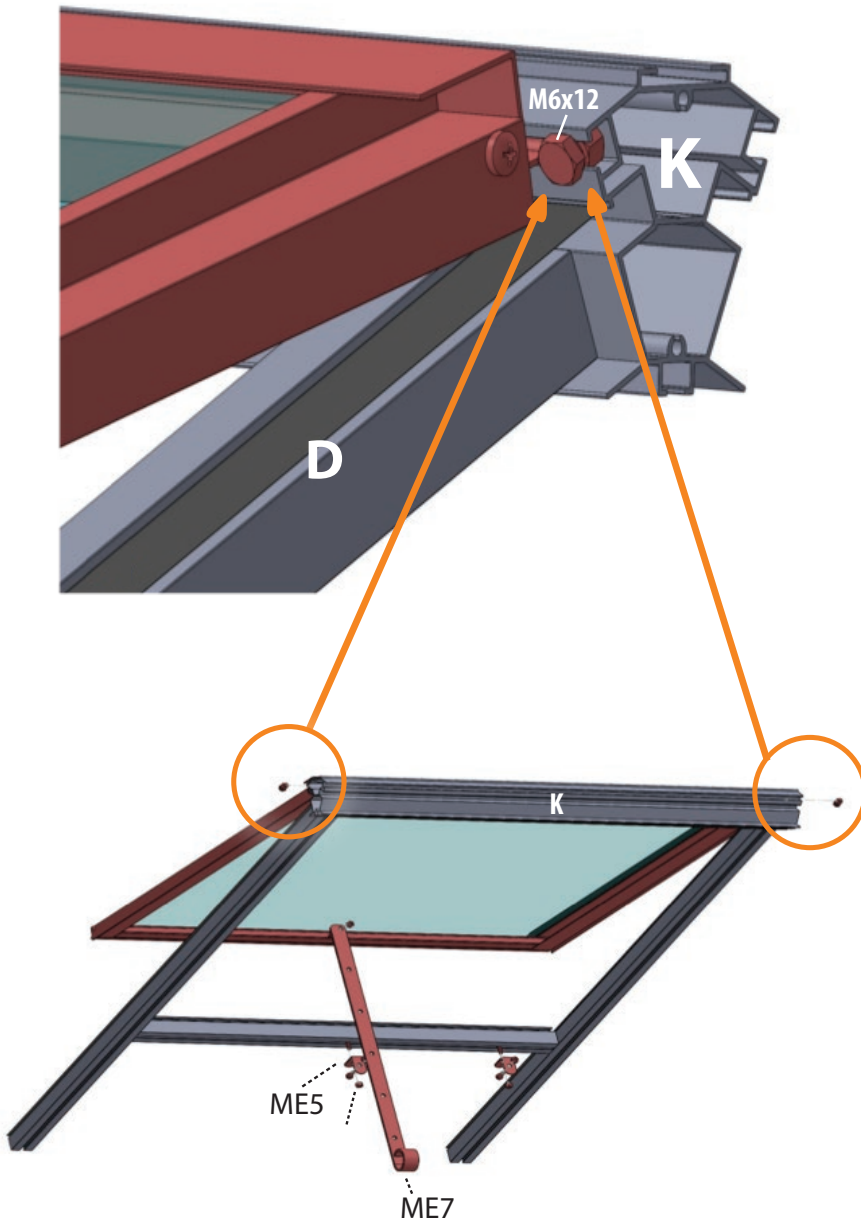
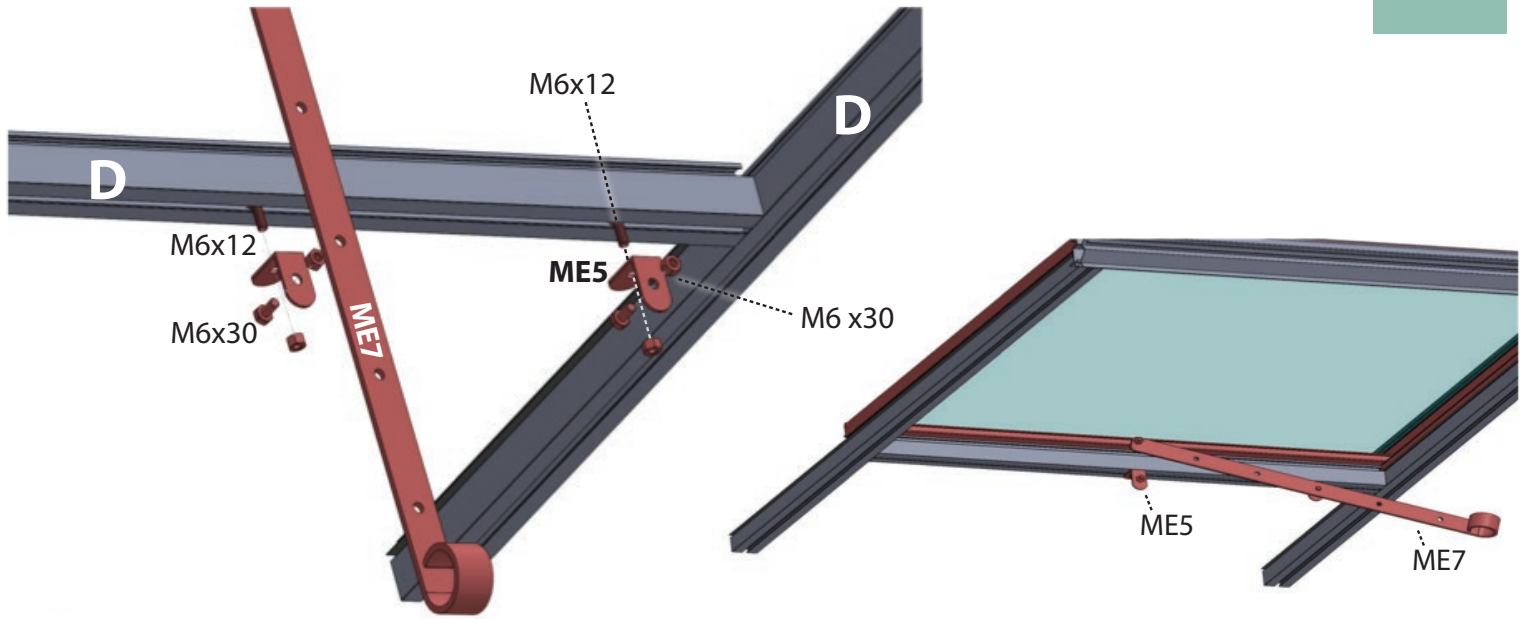
For doors larger than
30 11/16" x 71 5/8"

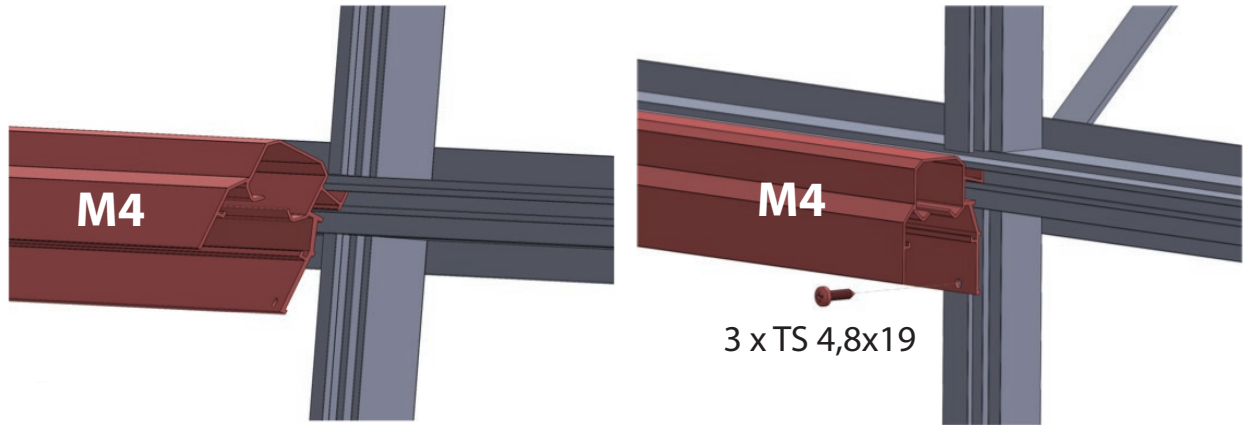


Roof window

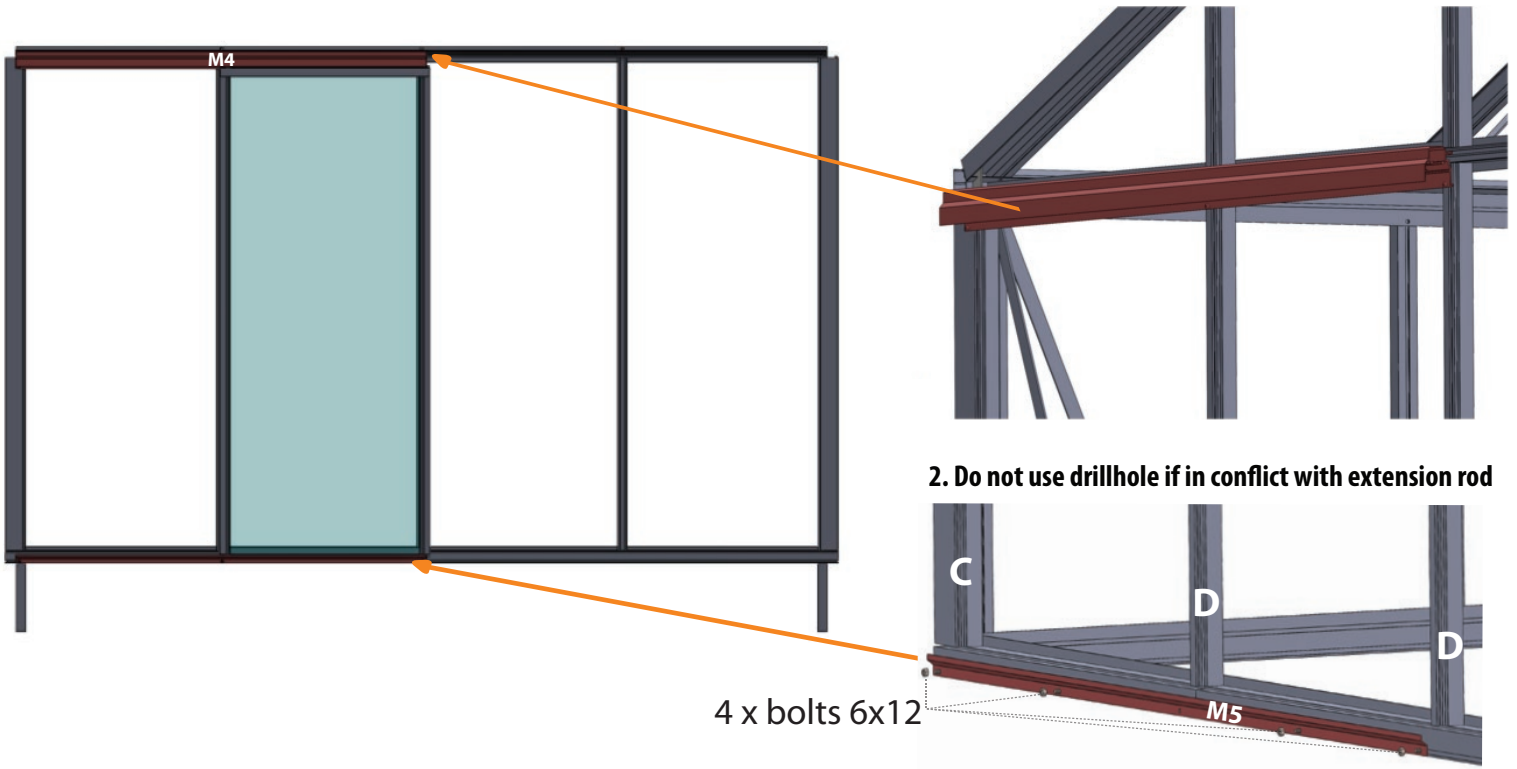
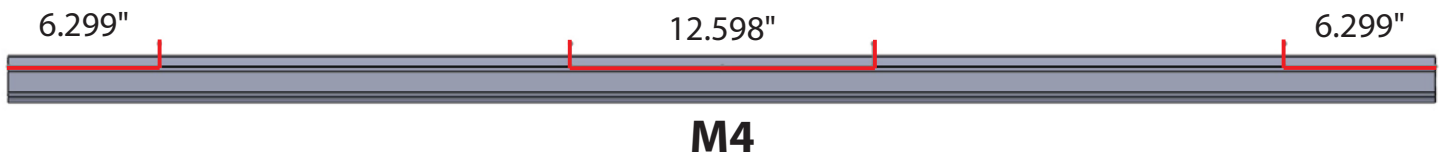


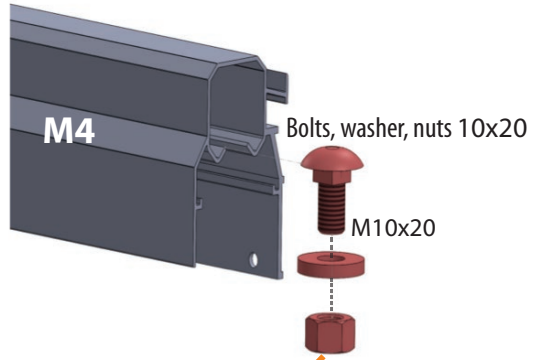
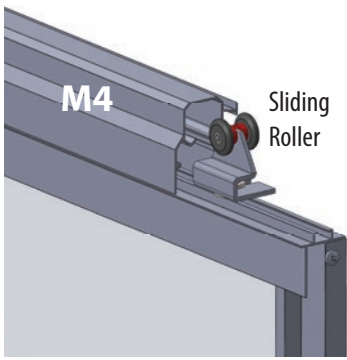
Screw for manual window opener



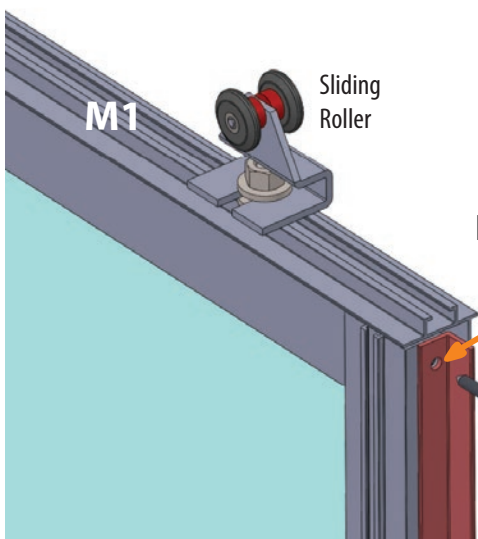
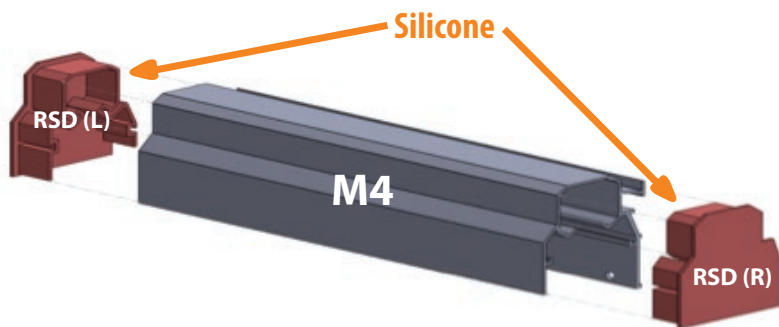
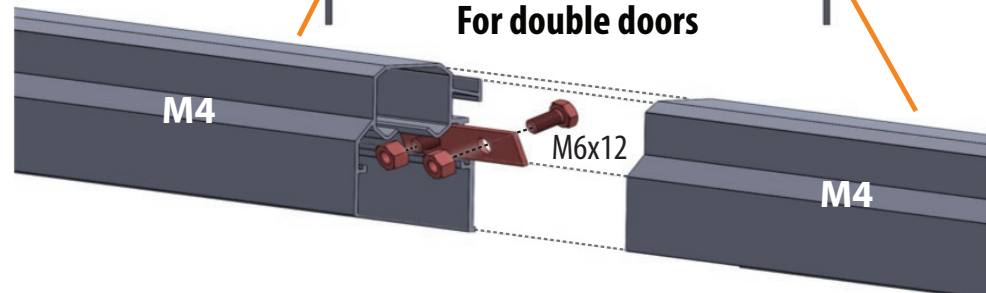
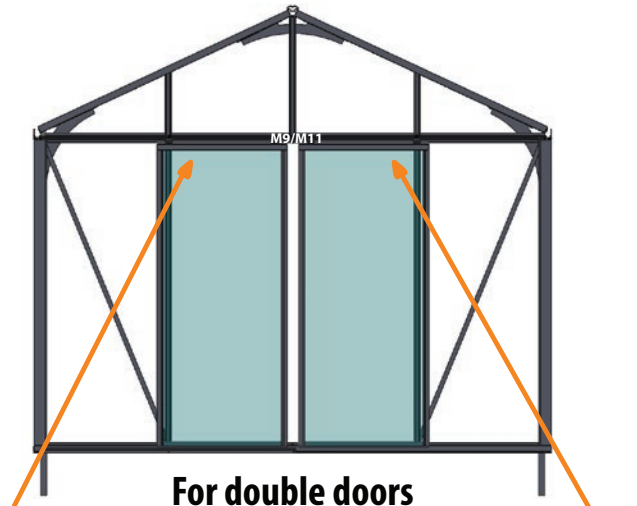
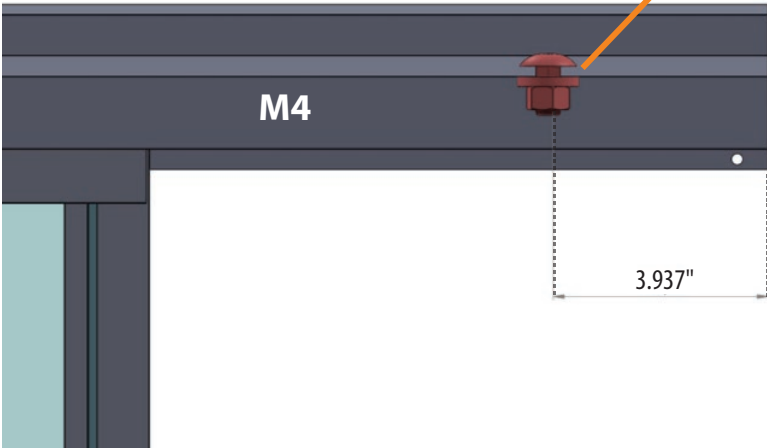


If in conflict with extension rod, cut out part here



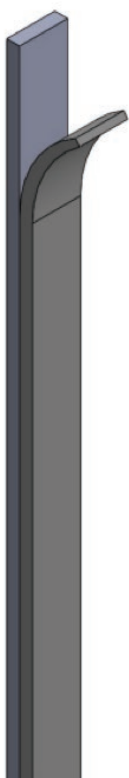
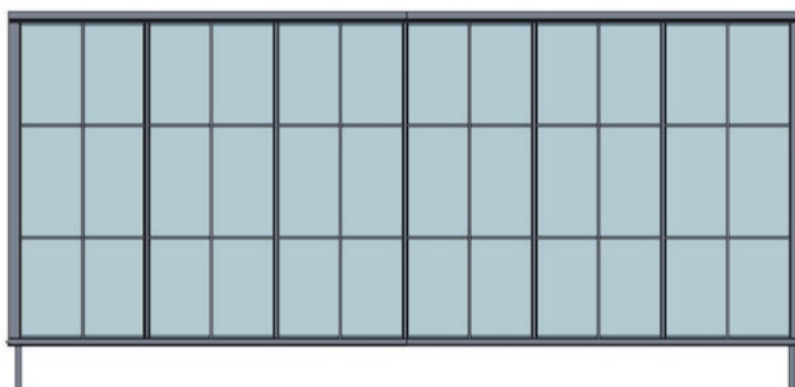
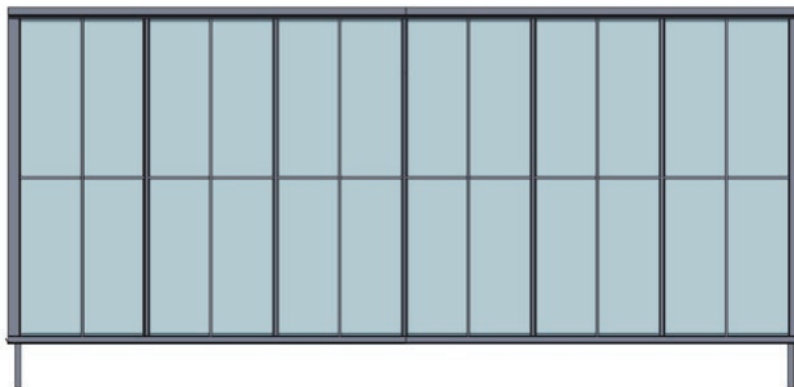


Insert doors into door profile and add stoppers

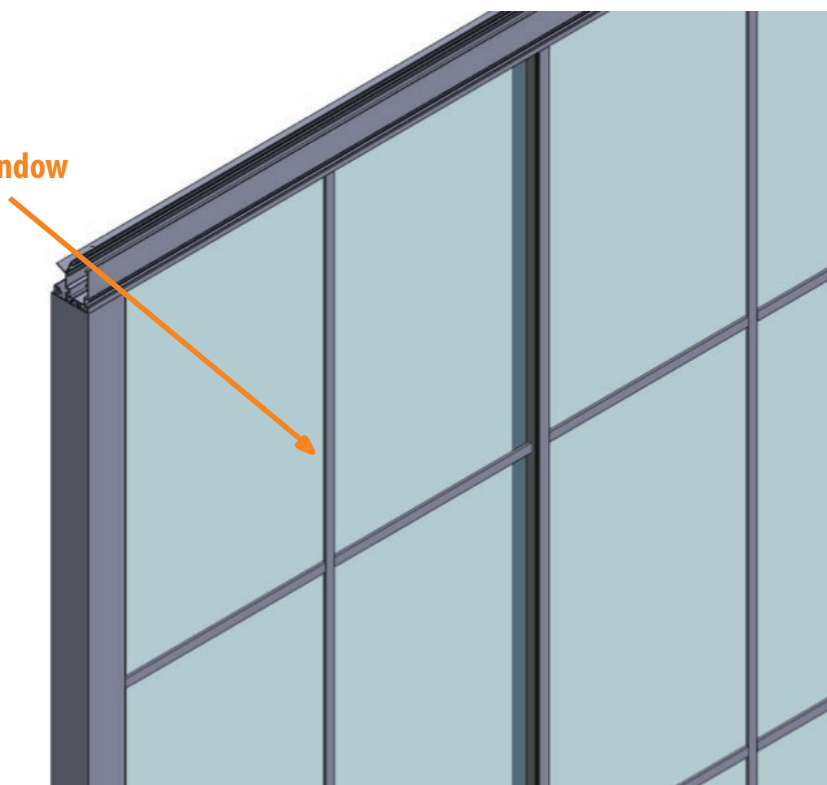


For double doors install 1 extra L profile

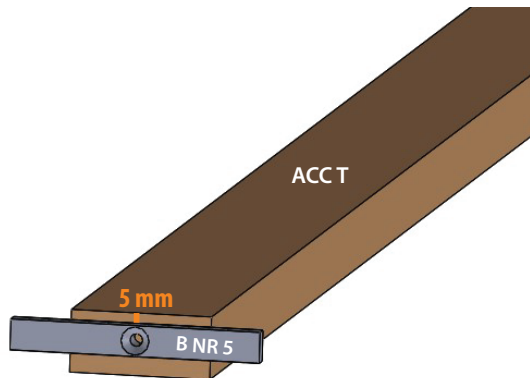
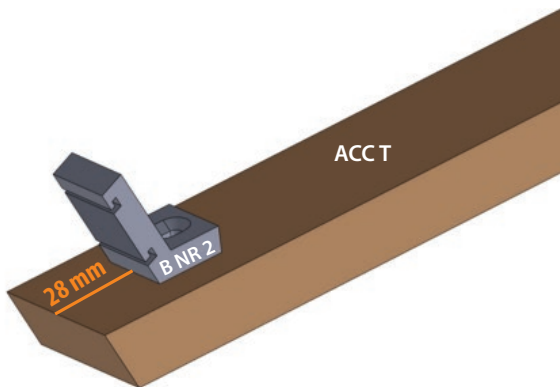
4 x Tapping screws 4,8x25



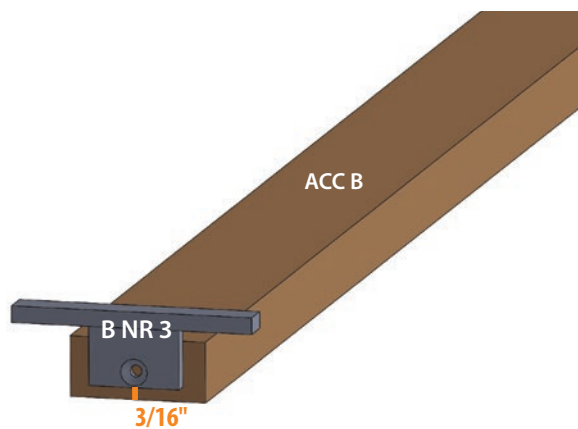
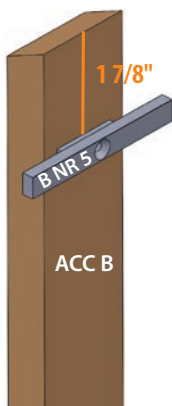
Glue to the window



1. Roof board ACCT

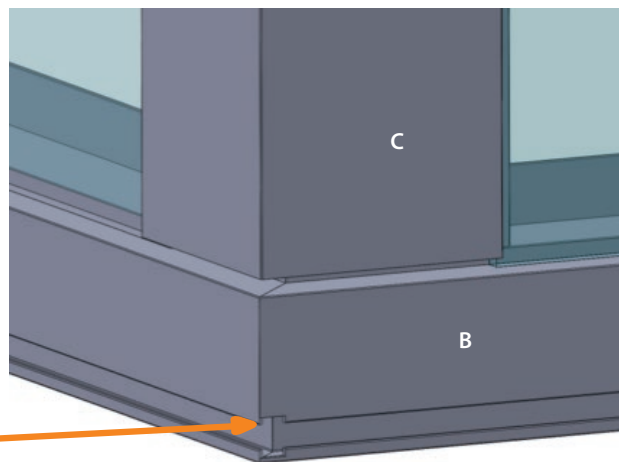
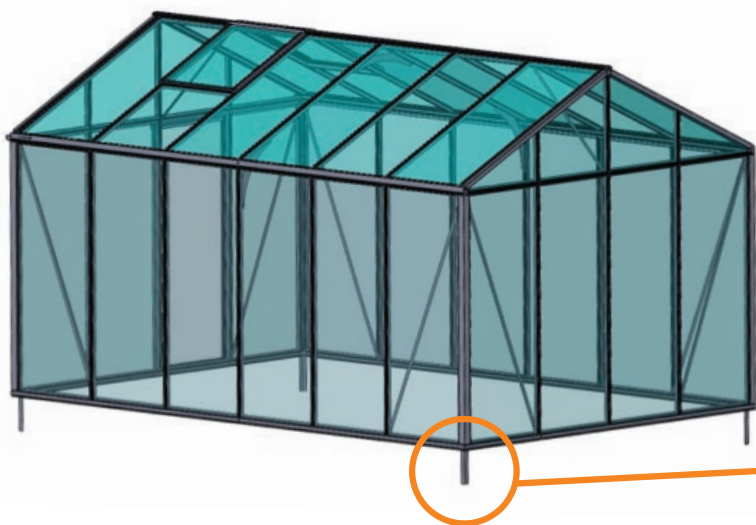


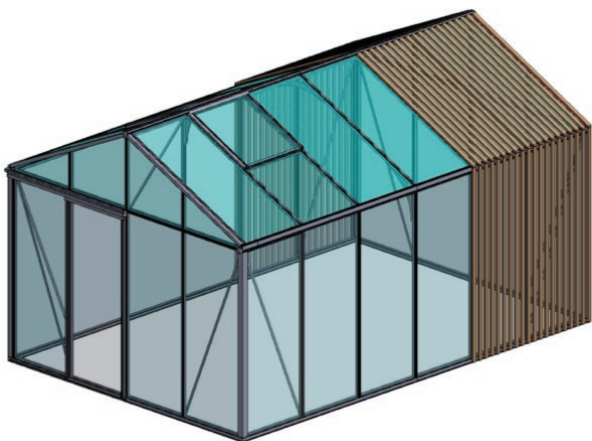
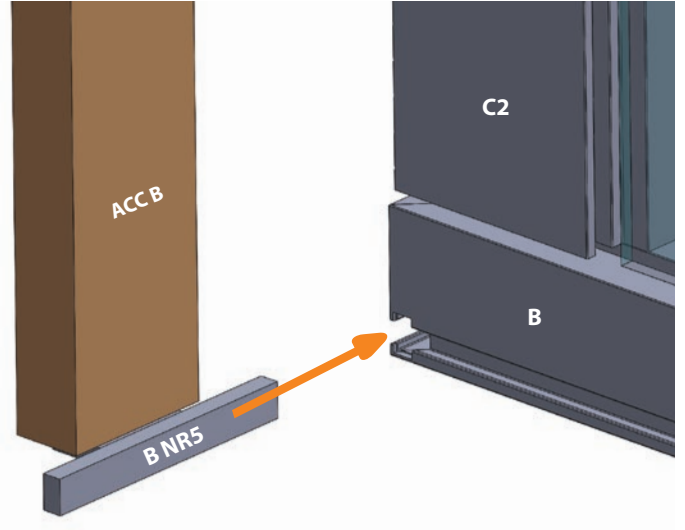
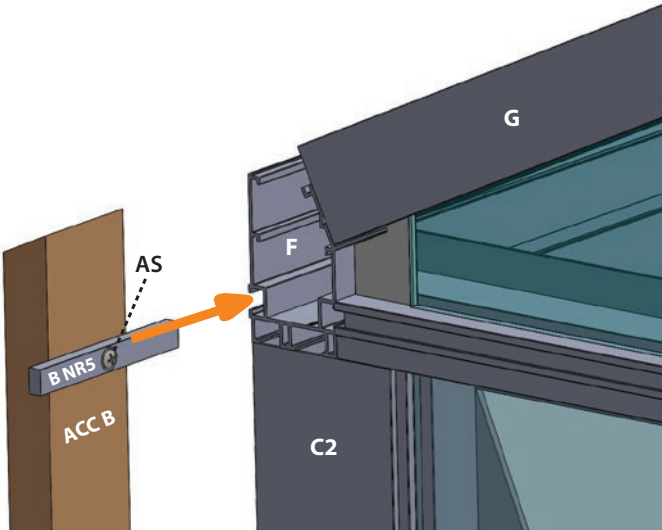
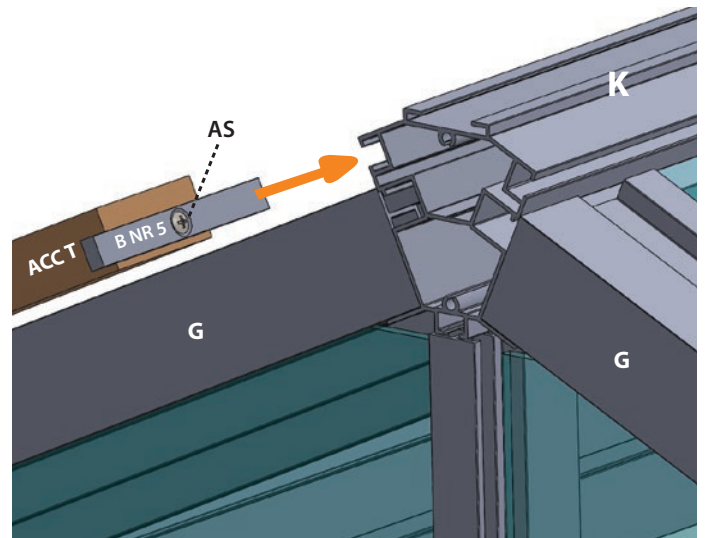
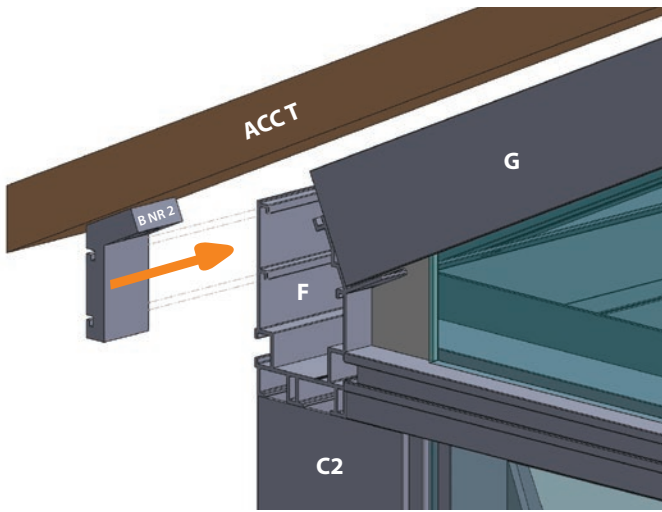
2. Wall board ACC B



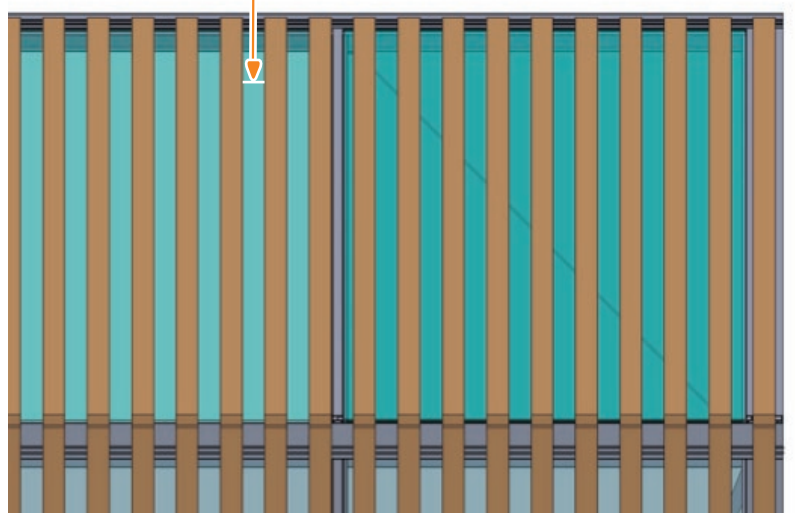
3. Use "AS" screw for installation

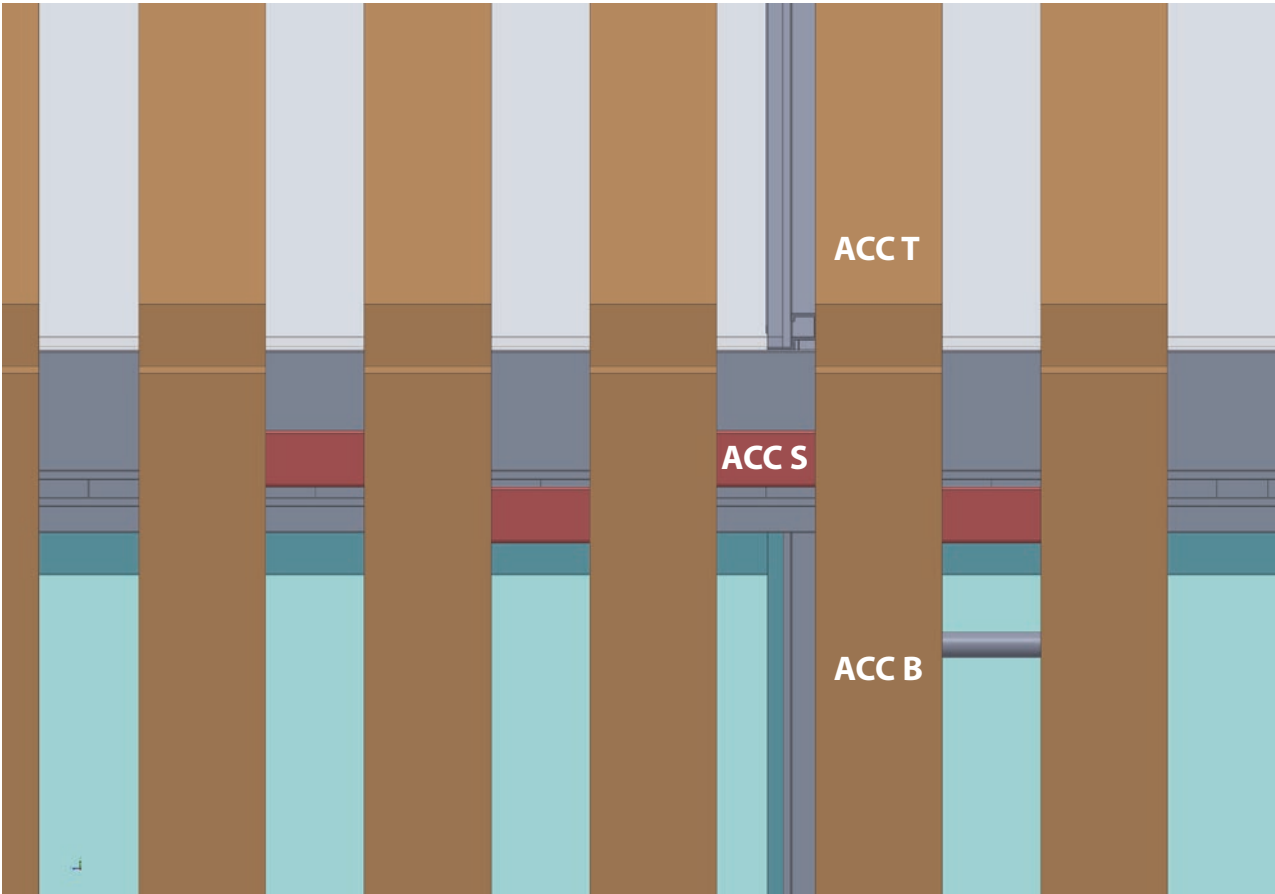
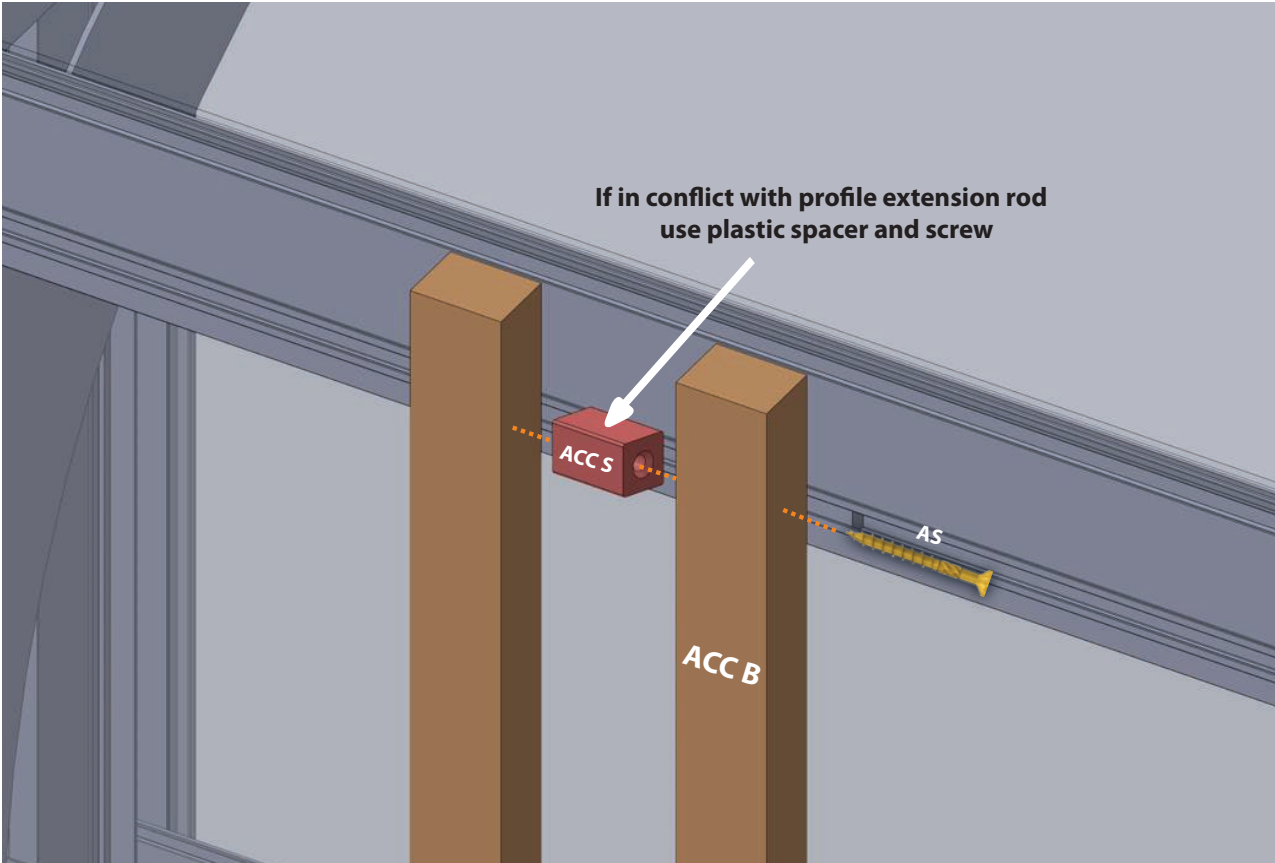
4. Cut out 1/4" x 3/8" rectangle





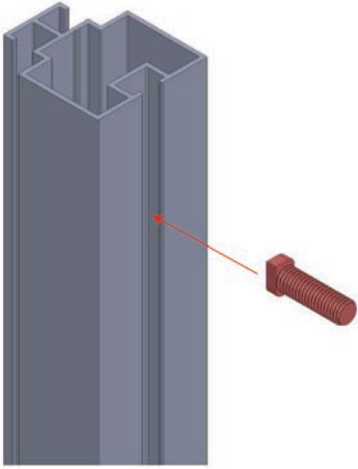
1 9/16" between boards



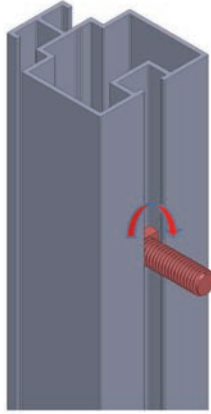


ACCESSORY MOUNTS

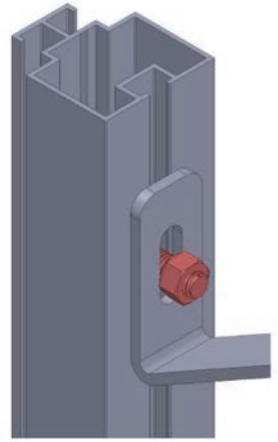
1. Insert the special screw into the profile



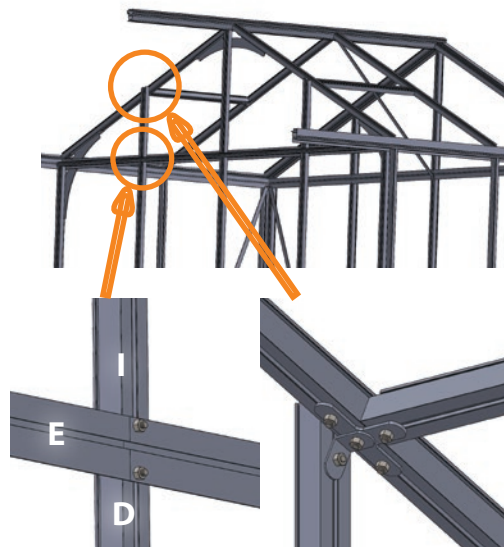
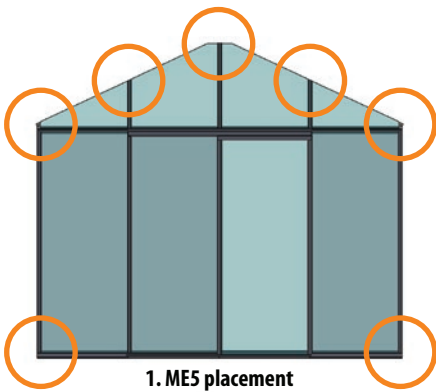
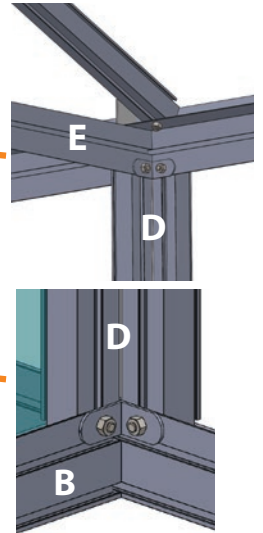
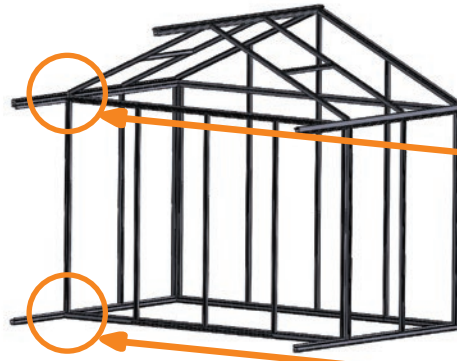
2. Turn it 90°



3. Attach the accessory and secure it with a nut



STORAGE ROOM WALL INSTALLATION (OPTIONAL)



2. For window installation see step 18

3. For doors installation see step 20 and 23/24

