



CLASSIC PREMIUM

ON A WALL

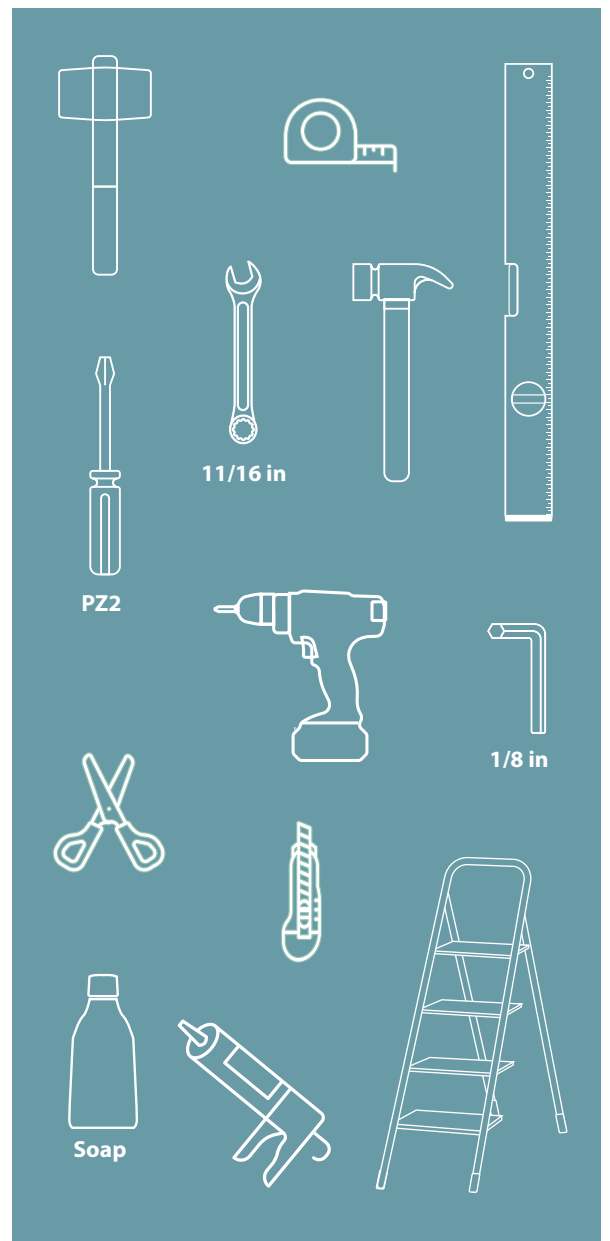
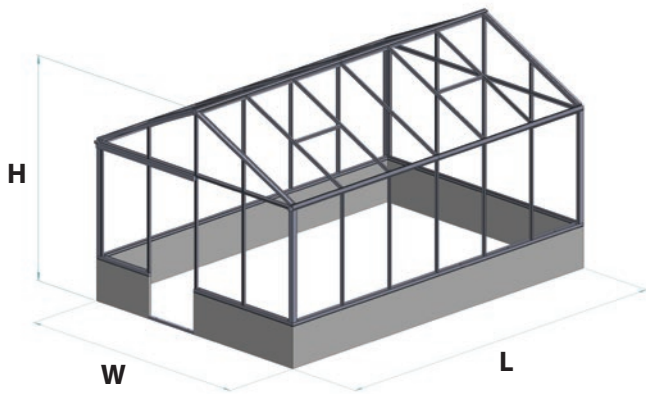


ASSEMBLY INSTRUCTIONS

Important: Read the entire instruction before starting the assembly. Strictly follow all the instructions provided in this manual and carry out all of the stages of the installation process in the specified order. Failure to comply with these rules may lead to incorrect fitting of the decorative laths and the occurrence of visual defects. The warranty certificate is void if it is found that damage has been caused by incorrect installation. The base on which the product is to be installed must be flat and without significant differences in level. The product must be attached to the base. Note: Use lube for all screws to prevent them from breaking. Make sure that the greenhouse pallet cannot tip over and cause accidents. Make sure that the ground where you put the pallet is in level. Installing two ground spikes to the pallet will prevent it from tipping. Do not remove all the wooden rules inside the pallet. Only remove the ones that are necessary to access the part you need.

Installation requires at least 2 people.

NECESSARY TOOLS – rubber mallet, measuring tape, spirit level, PZ2 screwdriver, wrenches 3/8 in, 1/2 in, and 11/16 in, cordless drill, 1/8 in hex key, utility knife, soap for rubber when oil is not enough, silicone gun and silicone, ladder.



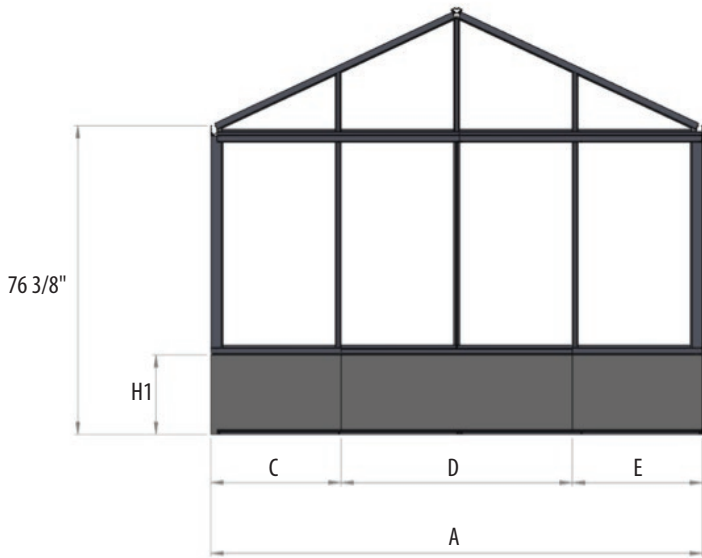
W (in)	L (in)	H (in)	Side height (in)	Door / Side height (in)	Area (ft ²)	Roof windows
92.60"	63.23"	91.85"	69.65"	65.71"	40.58 ft ²	1
	92.60"	91.85"	69.65"	65.71"	59.52 ft ²	1
	121.97"	91.85"	69.65"	65.71"	78.47 ft ²	1
	151.34"	91.85"	69.65"	65.71"	97.31 ft ²	2
	180.71"	91.85"	69.65"	65.71"	116.25 ft ²	3
	210.08"	91.85"	69.65"	65.71"	135.09 ft ²	4
	239.45"	91.85"	69.65"	65.71"	153.93 ft ²	4
	268.50"	91.85"	69.65"	65.71"	172.22 ft ²	4
	298.03"	91.85"	69.65"	65.71"	191.59 ft ²	4
327.56"	91.85"	69.65"	65.71"	210.44 ft ²	4	
356.69"	91.85"	69.65"	65.71"	229.17 ft ²	6	
121.97"	63.23"	105.43"	76.38"	72.44"	53.50 ft ²	1
	92.60"	105.43"	76.38"	72.44"	78.47 ft ²	1
	121.97"	105.43"	76.38"	72.44"	103.33 ft ²	1
	151.34"	105.43"	76.38"	72.44"	128.20 ft ²	2
	180.71"	105.43"	76.38"	72.44"	153.06 ft ²	3
	210.08"	105.43"	76.38"	72.44"	177.93 ft ²	4
	239.45"	105.43"	76.38"	72.44"	202.79 ft ²	4
	268.50"	105.43"	76.38"	72.44"	227.55 ft ²	4
	298.03"	105.43"	76.38"	72.44"	252.52 ft ²	6
	327.56"	105.43"	76.38"	72.44"	277.71 ft ²	6
	356.69"	105.43"	76.38"	72.44"	302.25 ft ²	6

WIND WARNING

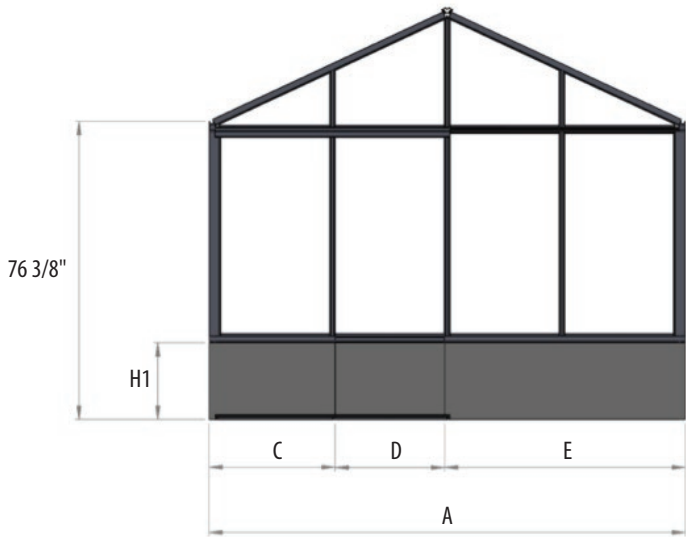
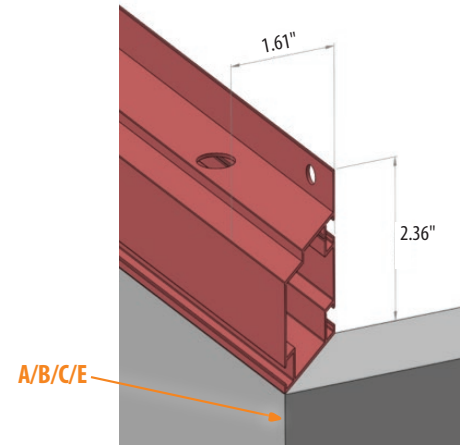
The manufacturer assumes no responsibility for damage caused by strong winds or storms. The structure must be secured according to the fastening options specified in the assembly instructions. During storms, all doors and windows must be closed.

SNOW WARNING

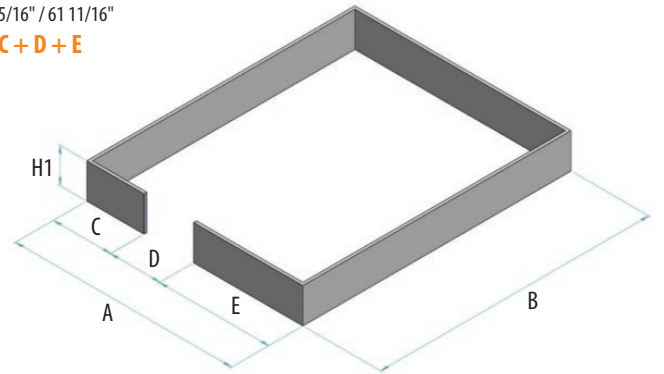
Snow must be removed regularly from the roof. Excess snow load may cause structural failure. Damage caused by snow overload is not covered by warranty.



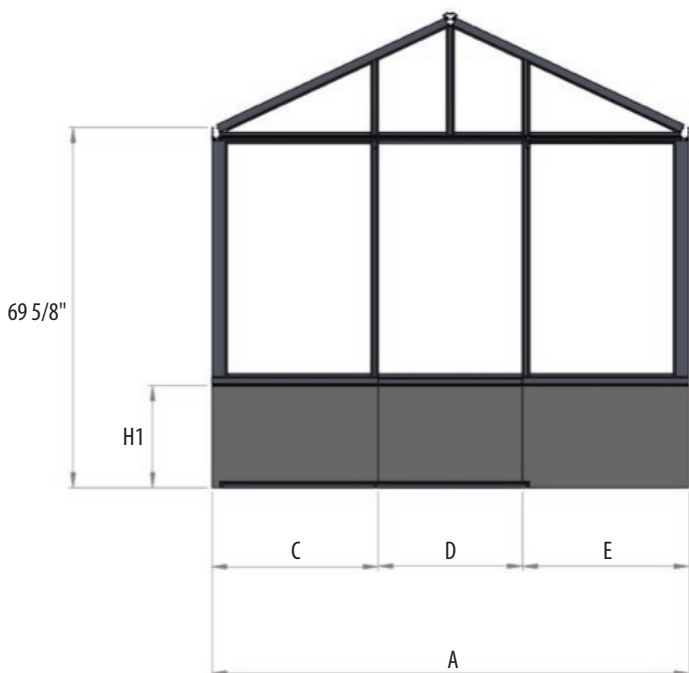
A = 122"
 B = 63 1/4" / 92 5/8" / 122" / 151 5/16" / 180 11/16" / 210 1/16" / 239 7/16"
 C = 32 5/16"
 D = 57 3/8"
 E = 32 5/16"
!A = C + D + E



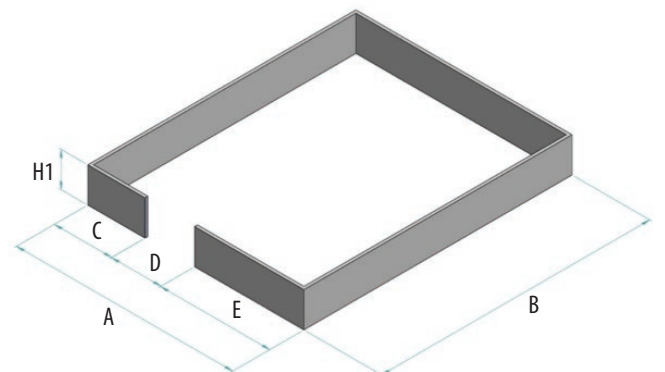
A = 122"
 B = 63 1/4" / 92 5/8" / 122" / 151 5/16" / 180 11/16" / 210 1/16" / 239 7/16"
 C = 32 5/16" / 61 11/16"
 D = 28"
 E = 32 5/16" / 61 11/16"
!A = C + D + E



H1 = 3 15/16" / 7 7/8" / 11 13/16" / 15 3/4" / 19 11/16"

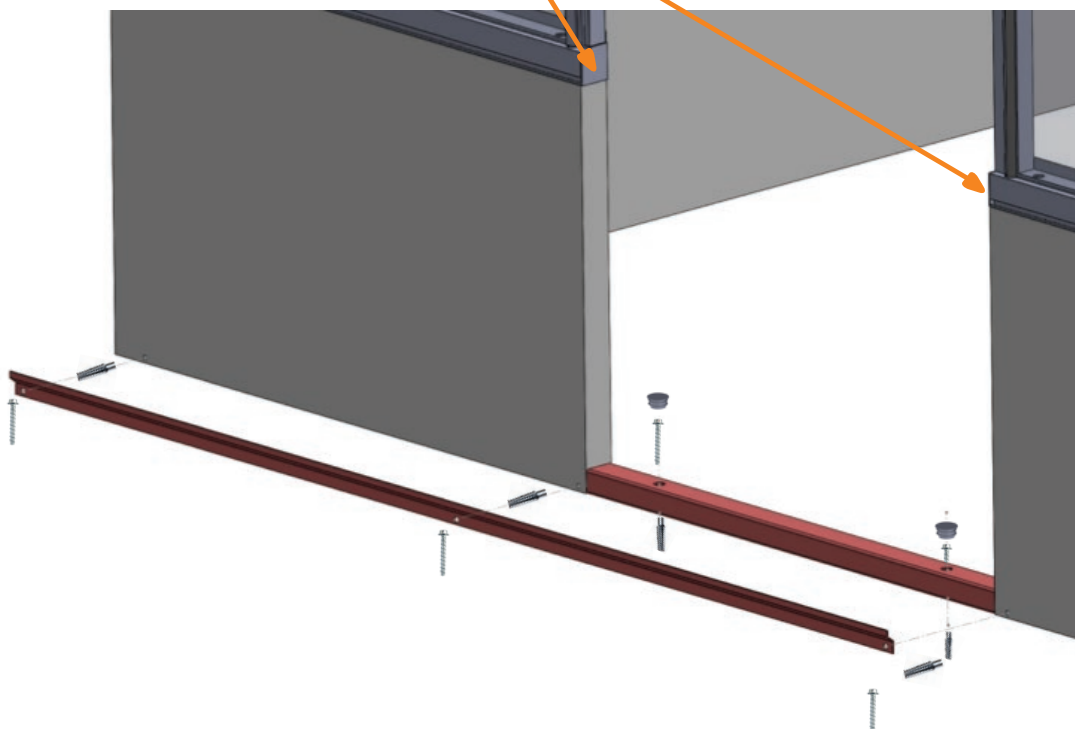
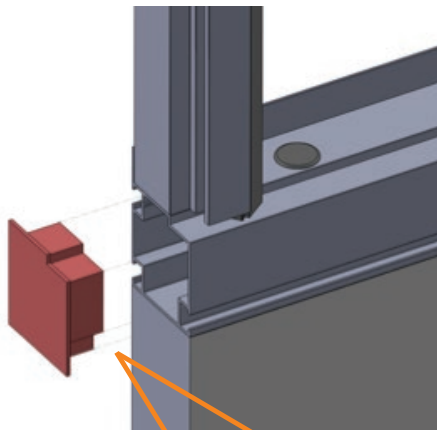
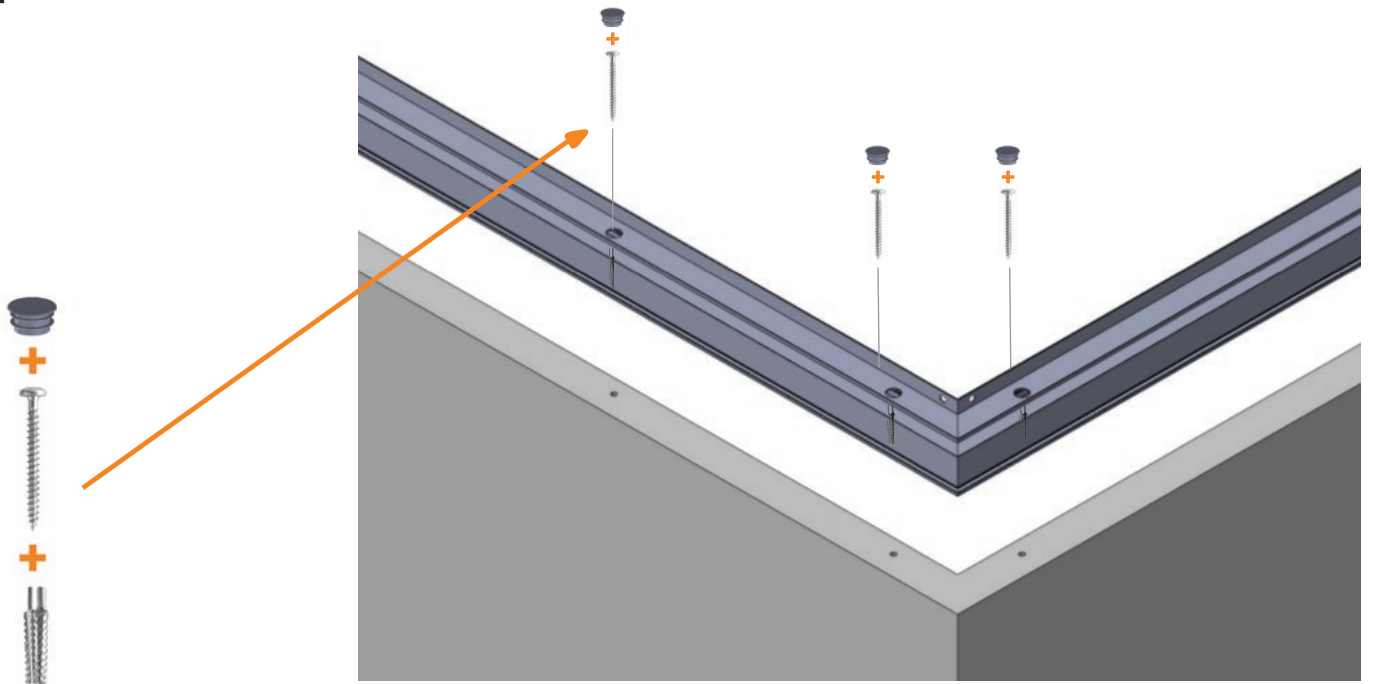


A = 92 5/8"
 B = 63 1/4" / 92 5/8" / 122" / 151 5/16" / 180 11/16" / 210 1/16" / 239 7/16"
 C = 32 5/16"
 D = 28"
 E = 32 5/16"
!A = C + D + E



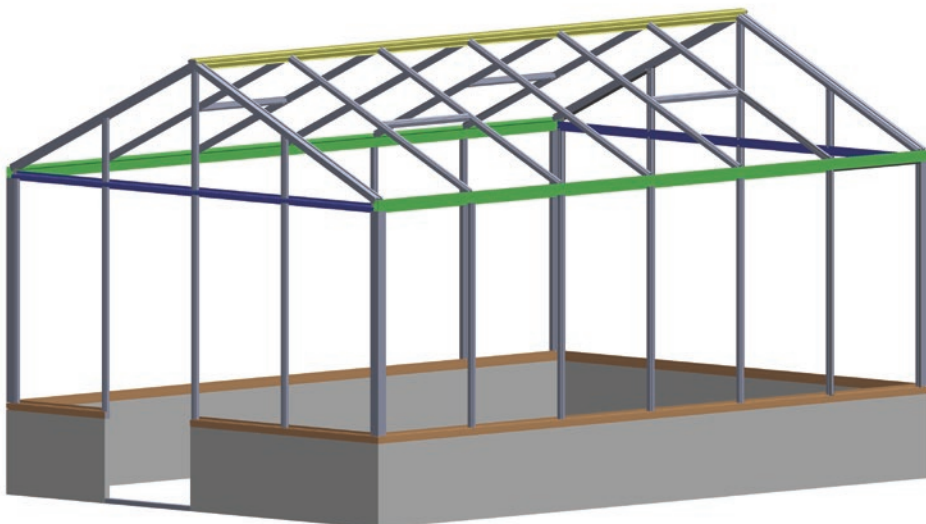
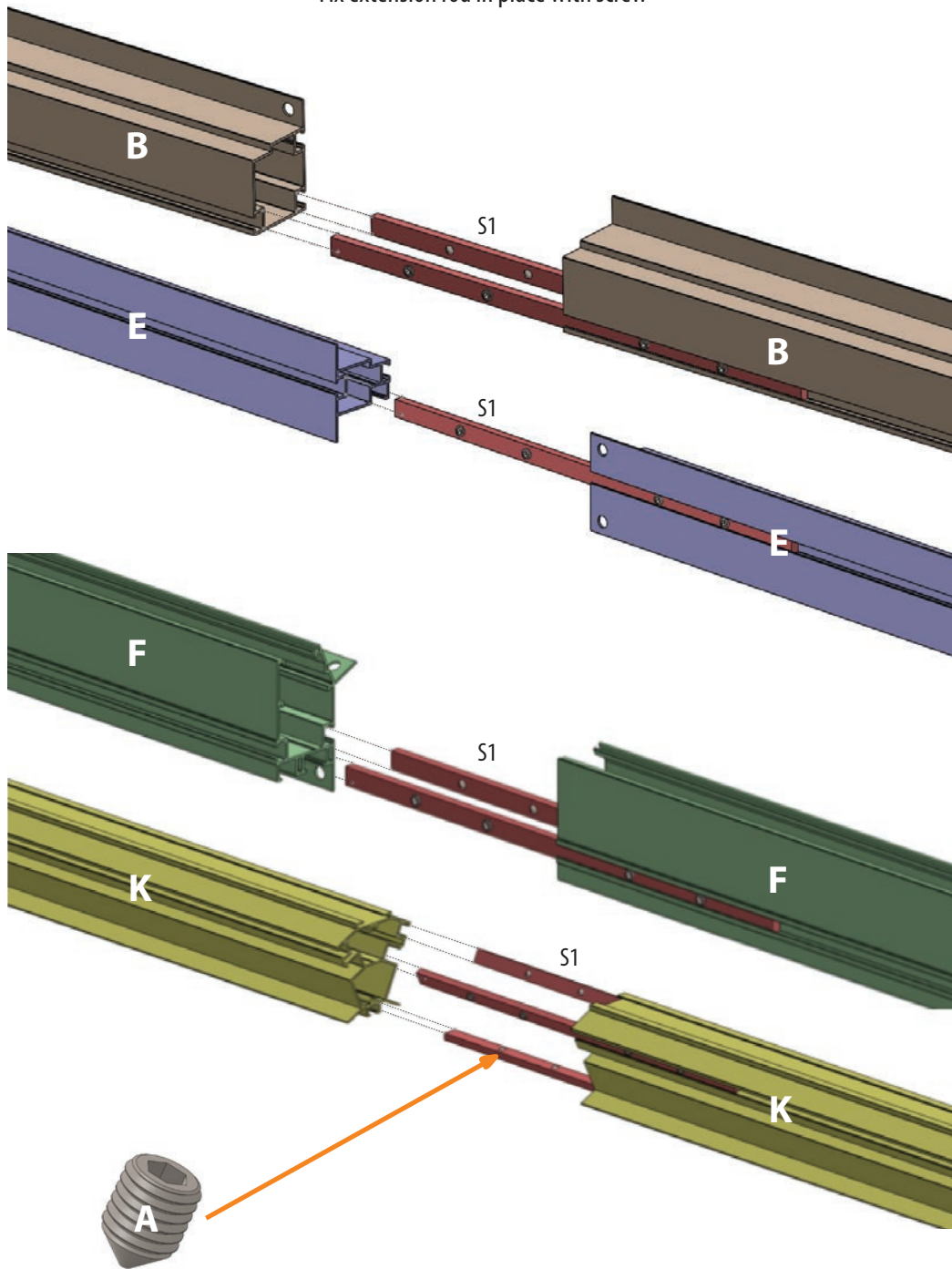
H1 = 3 15/16" / 7 7/8" / 11 13/16" / 15 3/4" / 19 11/16"

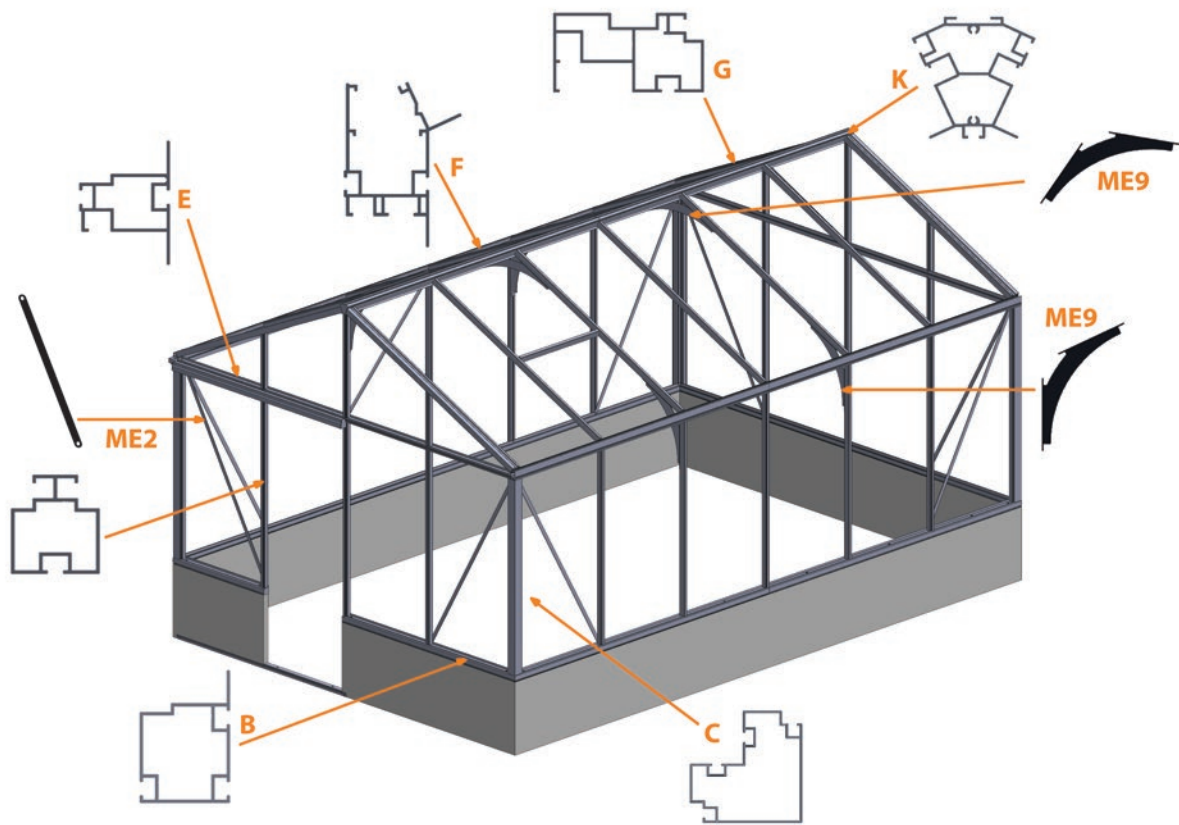
1. Place profiles on wall
2. Mark drill spots
3. Drill 1/4" holes in wall
4. Cut base profile for doors
5. Attach profiles to wall with dowel and screw



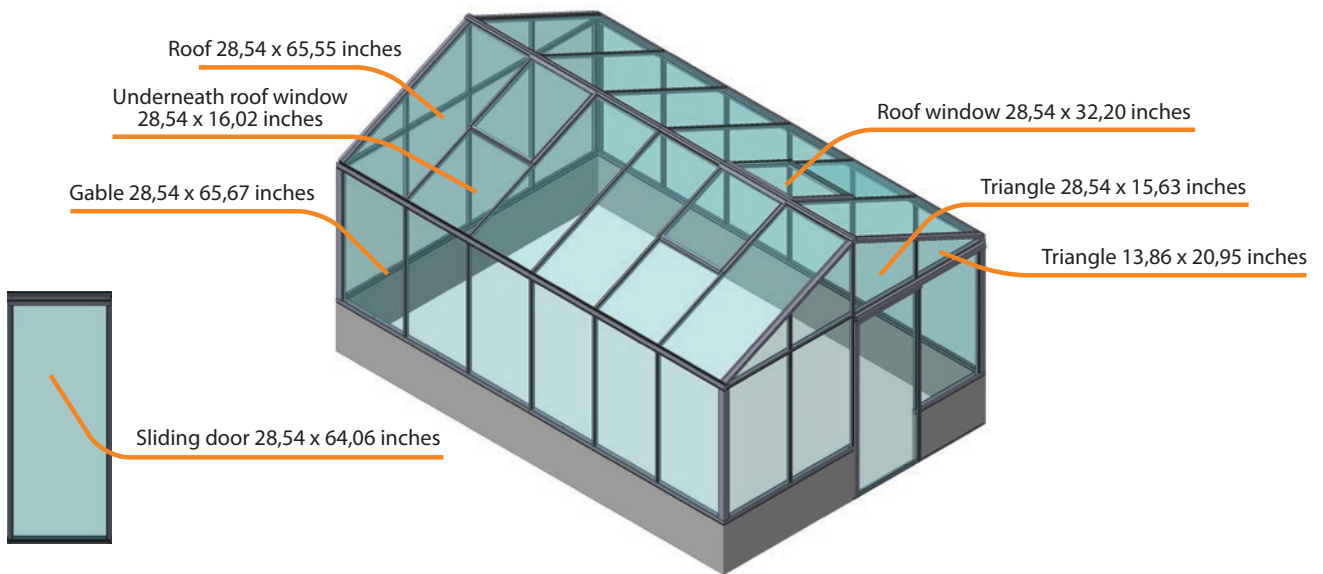
EXTENSIONS

Fix extension rod in place with screw

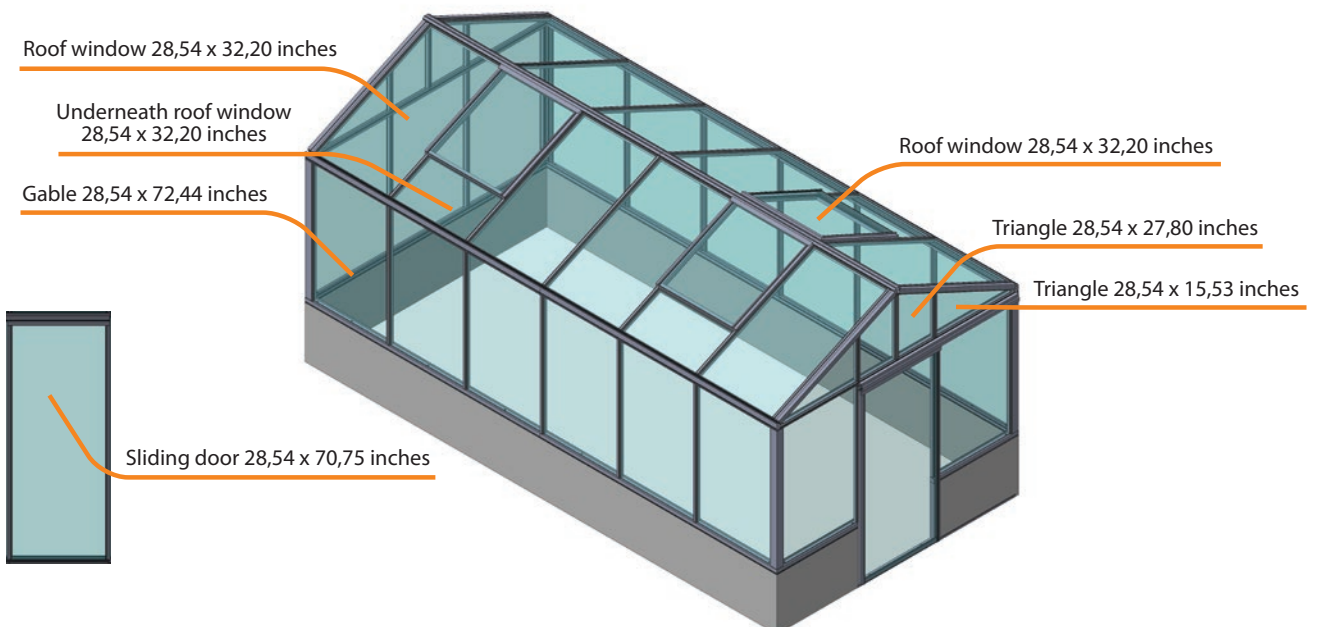


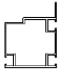


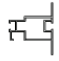

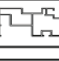



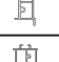

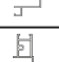
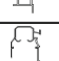
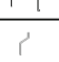
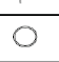




















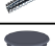


















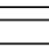

Classic Premium On A Wall glazing 92 1/2"



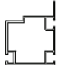


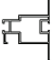



















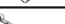
Classic Premium On A Wall glazing 122"

































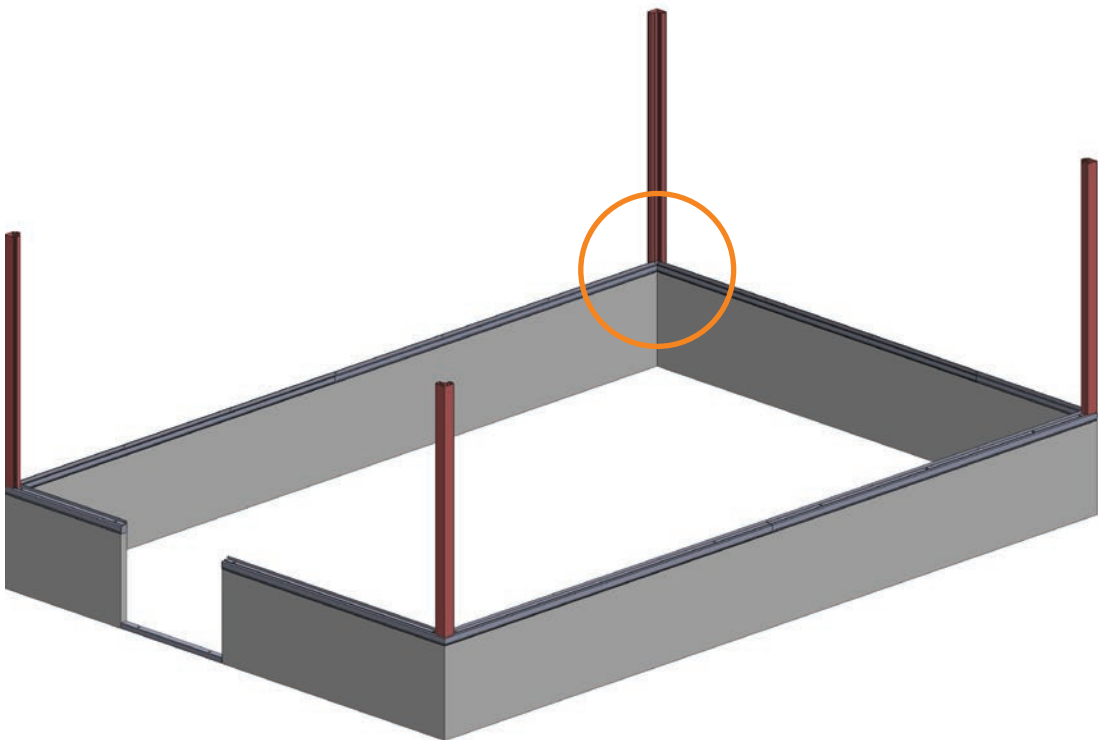
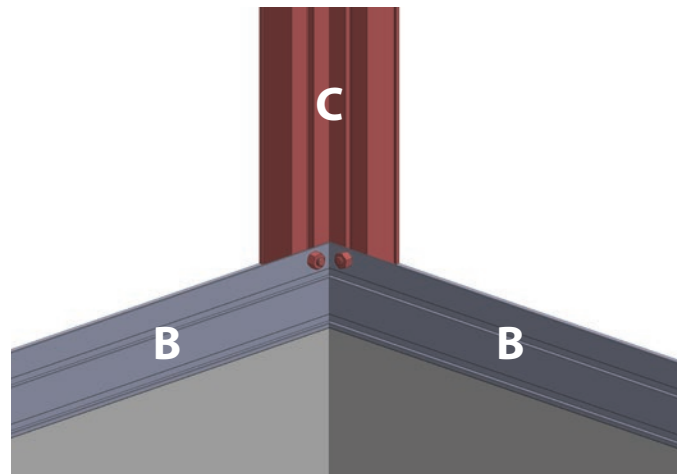
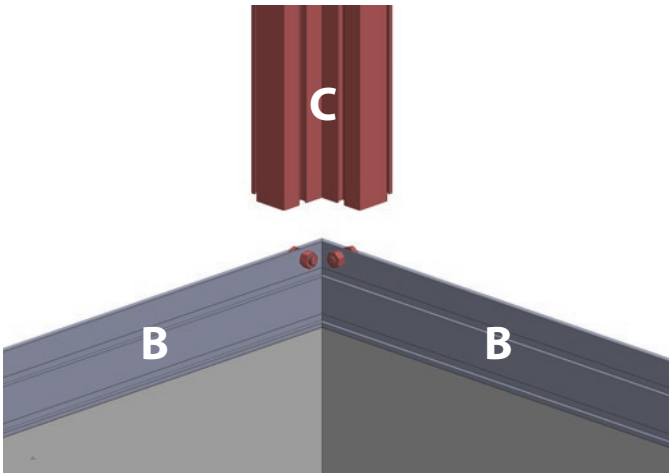
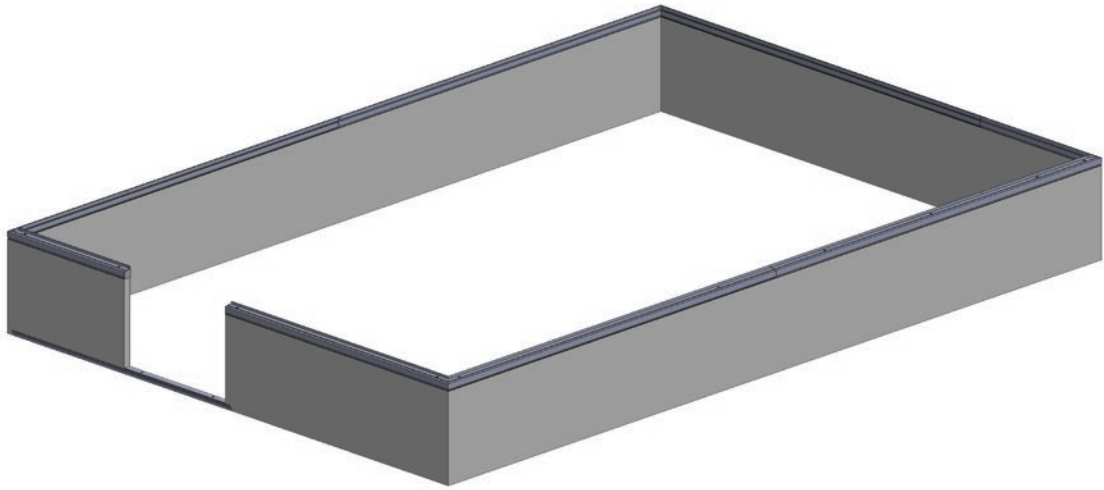
Part description, code and size			92,6x63,23	92,6x92,6	92,6x122	92,6x151,34	92,6x180,71	92,6x210,08	92,6x239,45		
		Size (inch)									
	B1	63,23	2								
	B2	90			2	2	2	2	2		
	B3	32			2			2			
	B5	92,6	2	4	2	2	2	2	2		
	B6	61,34				2			2		
	B7	90,71					2				
	B8	88,11						2	2		
* B profile includes a special door cut-out, which may change the parts list											
	C2	Lenght = 65,35 in minus wall height	4	4	4	4	4	4	4		
	D2	Lenght = 65,35 in minus wall height	6	8	10	12	14	16	18		
	I6	48,78	2	4	6	8	10	12	14		
	I2	15	2	2	2	2	2	2	2		
	I5	21	2	2	2	2	2	2	2		
	I4	15	2	2	2	2	2	2	2		
	I7	28	1	1	1	2	3	4	4		
	E4	89,37	2	2	2	2	2	2	2		
	F1	63,15	2								
	F2	92,52		2							
	F3	90			2	2	2	2	2		
	F4	31,93			2			2			
	F6	61,3				2			2		
	F7	90,67					2				
	F8	88,11						2	2		
	G2	48,78	4	4	4	4	4	4	4		
	K1	63,15	1								
	K2	92,52		2							
	K3	90			1	1	1	1	1		
	K4	31,93			1			1			
	K6	61,3				1			1		
	K7	90,67					1				
	K8	88,11						1	1		
	L1	30,63	1	1	1	2	3	4	4		
	L2	32,52	2	2	2	4	6	8	8		
	L3	30,63	1	1	1	2	3	4	4		
	M1	30,63	1	1	1	1	1	1	1		
	M6	64,41	2	2	2	2	2	2	2		
	M3	30,63	1	1	1	1	1	1	1		
	M4	60,24	1	1	1	1	1	1	1		
	M5	60,24	1	1	1	1	1	1	1		
	M7	65	2	2	2	2	2	2	2		
	S1	11,81	0	0	11	11	11	22	22		
	ME11	37,6	2	2	2	2	2	2	2		
	ME10	71,85	8	8	8	8	8	8	8		
	ME4	58,07	0	0	1	2	0	0	0		
	ME9	11.81 x 11.81	0	0	0	0	2 sets	2 sets	3 sets		
	ME5	1.38 x 1.38	8	8	8	10	12	14	14		
	ME6	2.36 x 2.36	2	2	2	4	6	8	8		
	ME7	23,5	1	1	1	2	3	4	4		
	ME8	2	8	12	16	20	24	28	32		
	A3	0,6x0,6x28	1	1	1	1	1	1	1		
	A2	0.59 x 0.59 x 64.41	1 if double doors								
	S2	2.76 x 0.55 x 0.08	1 if double doors								

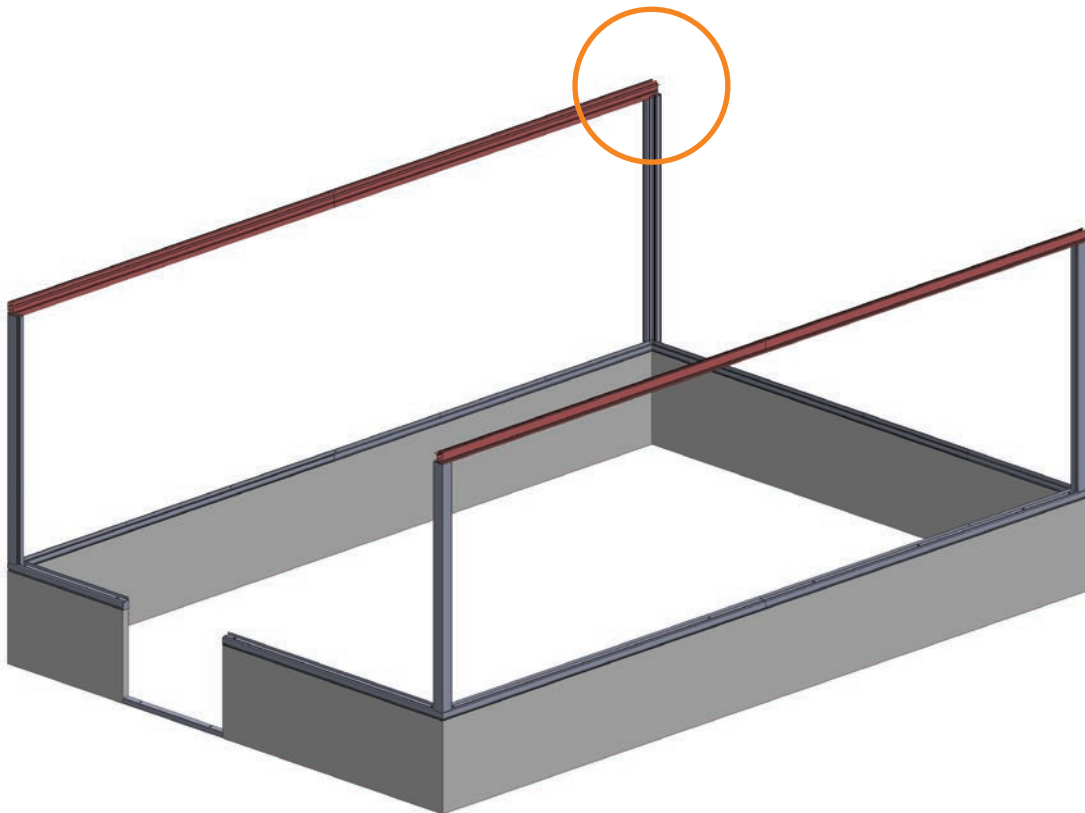
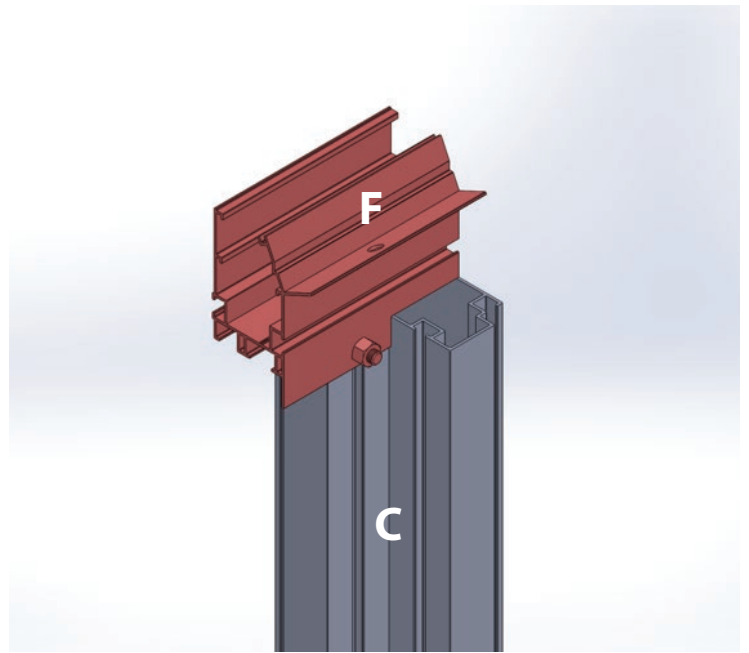
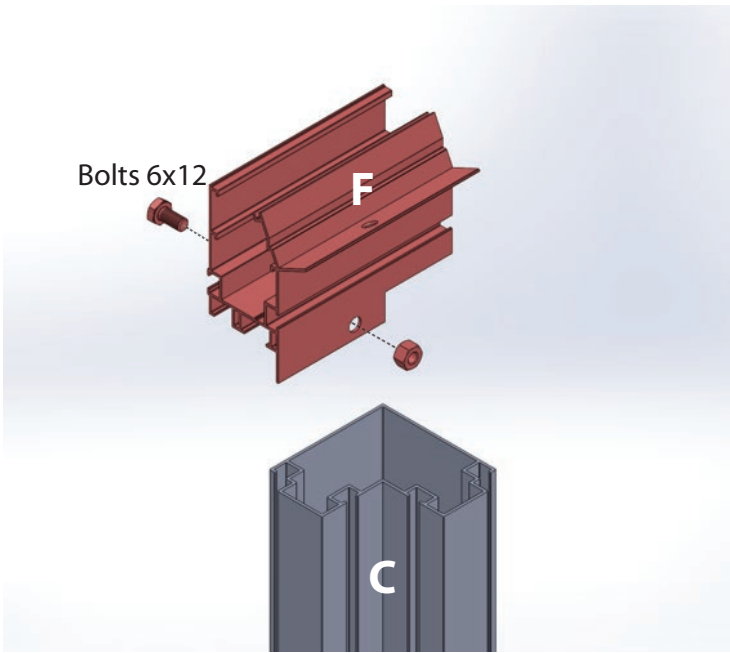
	Base profile end (L)	1.61 x 1.77 x 0.67	1	1	1	1	1	1	1
	Base profile end (R)	1.61 x 1.77 x 0.67	1	1	1	1	1	1	1
	Threshold	28 x 1.18 x 1.57	1 if one doors						
	Threshold double doors	57.28 x 1.18 x 1.57	1 if double doors						
	Screw for dowel	0.24 x 1.57	12	14	16	18	20	22	24
	Base dowel	0.39 x 1.57	12	14	16	18	20	22	24
	Base profile cap	0.55 x 0.39	12	14	16	18	20	22	24
Glazing									
	Glazing rubber (ft)		230	280	330	378	426	475	525
	Brush strip (in)		130	130	130	130	130	130	130
	Down pipe bend 90° - Ø1,38 in		2	2	2	2	2	2	2
	Sliding roller		2	2	2	2	2	2	2
	Bolts 6x12		100	110	120	140	170	180	190
	Bolts 6x30		2	2	2	4	6	8	8
	Nuts 6x1		105	115	125	145	180	190	200
	Bolts, washer, 2 nuts 7x20		1	1	1	2	3	4	4
	Bolts, washer, nuts 10x20		2	2	2	2	2	2	2
	Tapping screws 4,8x25		8	8	8	12	16	20	20
	Tapping screws 4,8x19		5	5	5	5	5	5	5
	Hexagon socket screws		0	0	44	44	68	88	88
	Nut caps		105	115	125	145	180	190	200
	Gutter end incl. downpipe		2	2	2	2	2	2	2
	Gutter end		2	2	2	2	2	2	2
	Ridge end		2	2	2	2	2	2	2
	Railends (L) sliding door		1	1	1	1	1	1	1
	Railends (R) sliding door		1	1	1	1	1	1	1
	PVC piece gable		4	4	4	4	4	4	4
Glass									
Gable 28,54 x 65,66 in		Lenght = 65,66 mm minus wall height	9	11	13	15	17	19	21
Sliding door 28,54 x 1627 in			1	1	1	1	1	1	1
Roof 28,54 x 49,33 in			3	5	7	8	9	10	12
Roof window 28,54 x 32,2 in			1	1	1	2	3	4	4
Underneath roof window 28,54 x 16,02 in			1	1	1	2	3	4	4
Triangle 28,54 x 15,63 in			4	4	4	4	4	4	4
Triangle 13,86 x 20,95 in			4	4	4	4	4	4	4

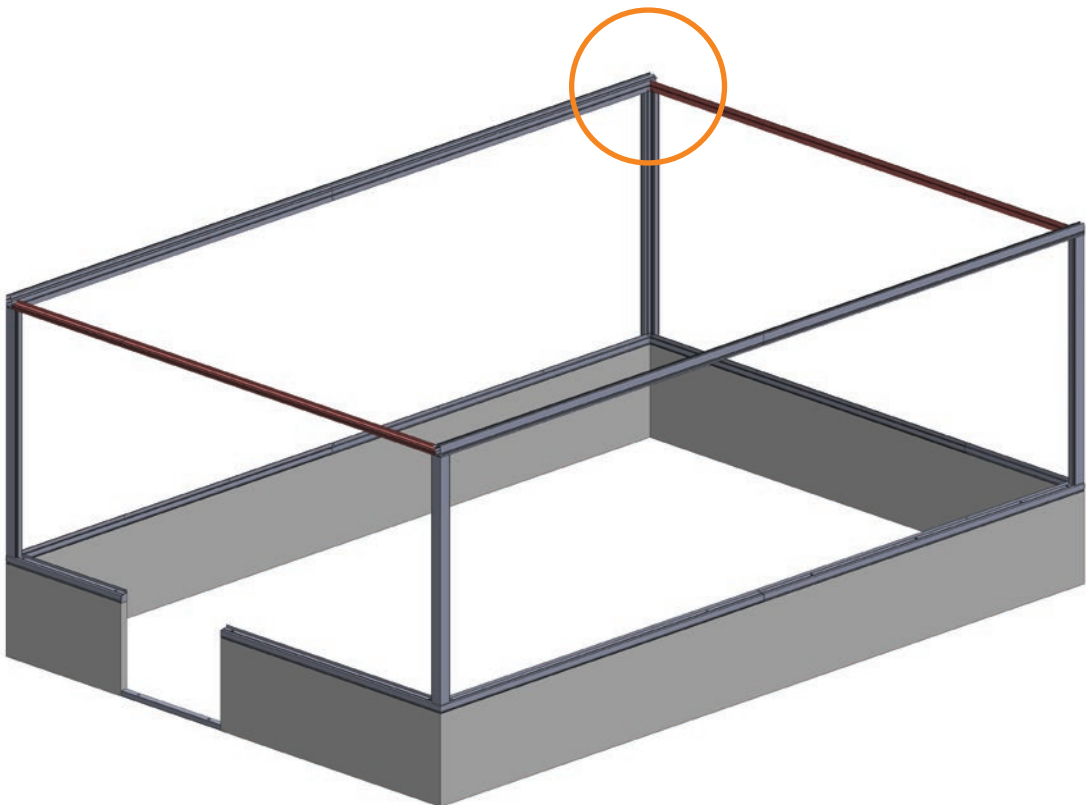
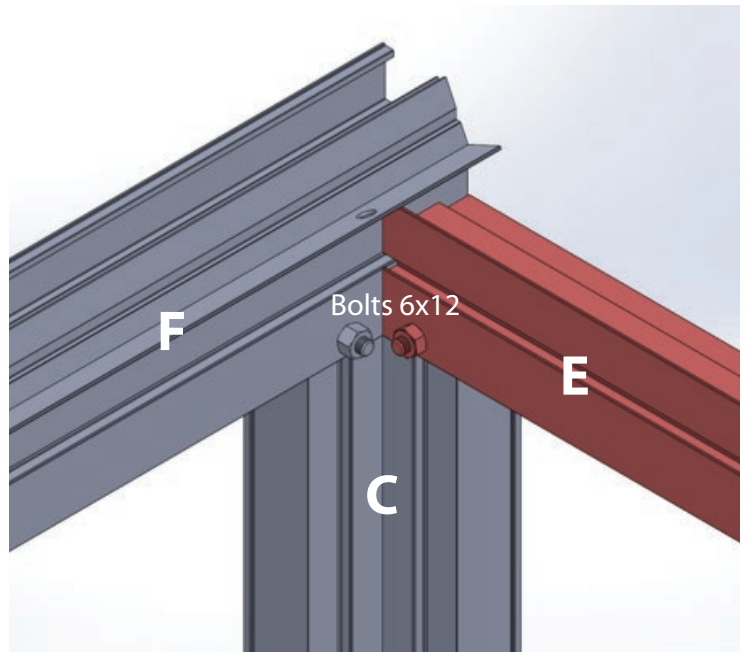
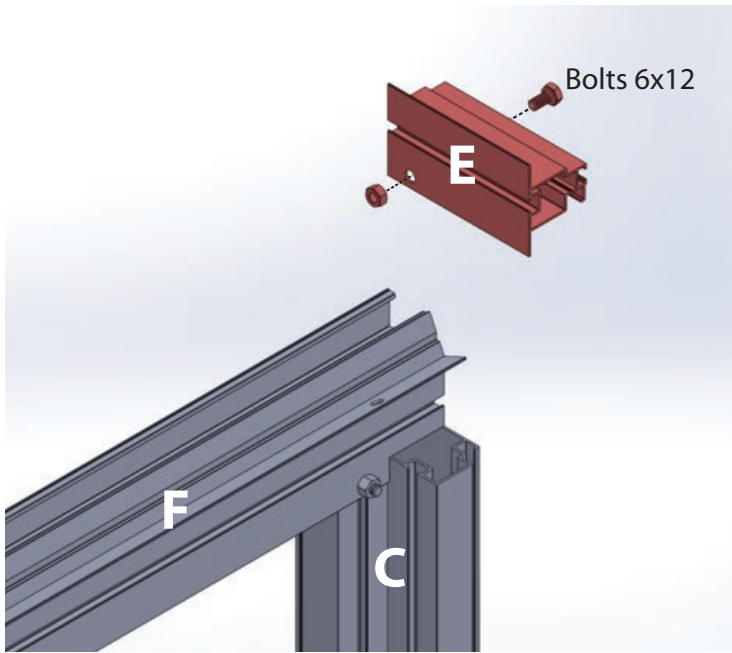
CLASSIFICATION OF PARTS

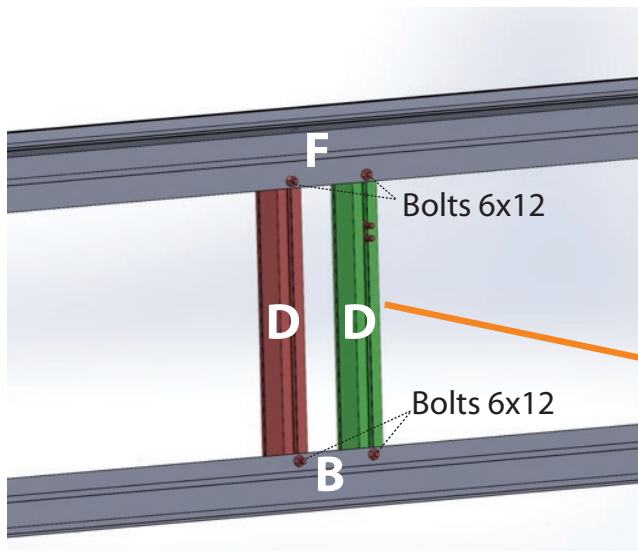
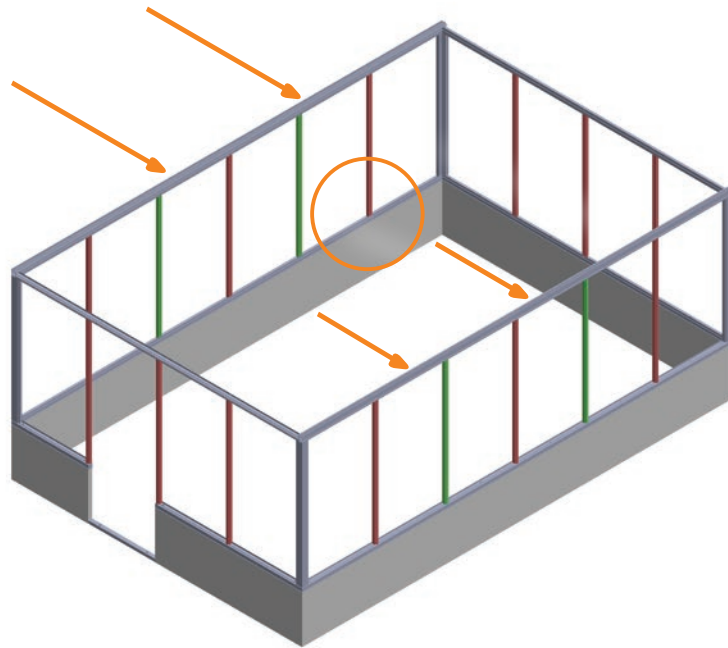
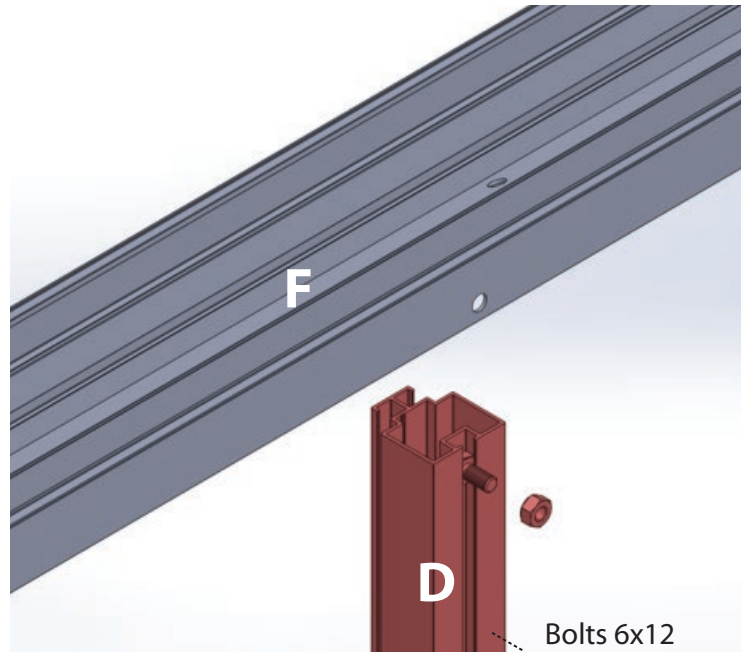
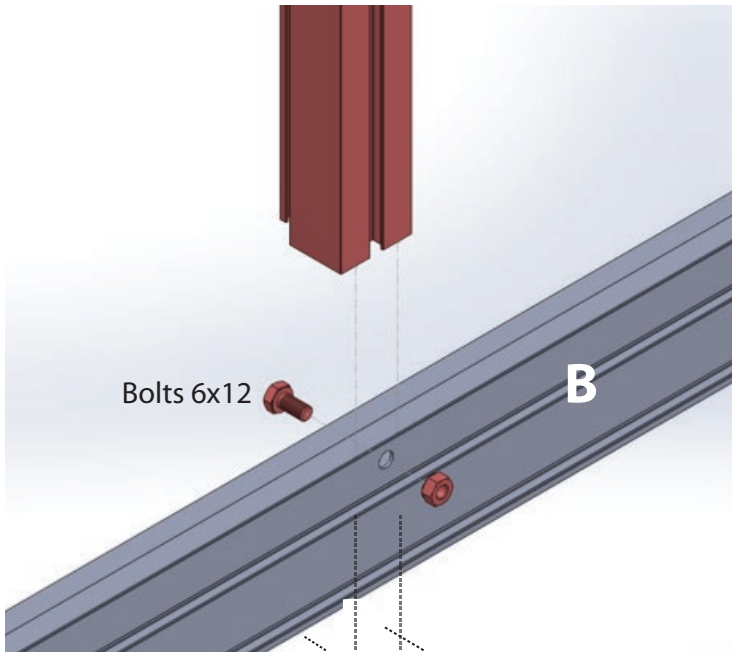
Part description, code and size			122x63,23	122x92,6	122x122	122x151,3	122x180,71	122x210,08	122x239,45
		Size (inch)							
	B1	63,23	2						
	B2	90	2	2	4	4	4	4	4
	B3	32	2	2	4	2	2	4	2
	B5	92,6		2					
	B6	61,34				2			2
	B7	90,71					2		
	B8	88,11						2	2
	* B profile includes a special door cut-out, which may change the parts list								
	C1	Lenght = 72,05 in minus wall height	4	4	4	4	4	4	4
	D1	Lenght = 72,05 in minus wall height	8	10	12	14	16	18	20
	I1	65	2	4	6	8	10	12	14
	I2	14,92	2	2	2	2	2	2	2
	I3	27,8	2	2	2	2	2	2	2
	I4	14,92	2	2	2	2	2	2	2
	I7	28	1	1	1	2	3	4	4
		E1	88,39	2	2	2	2	2	2
E2		30,35	2	2	2	2	2	2	2
	F1	63,15	2						
	F2	92,52		2					
	F3	90			2	2	2	2	2
	F4	31,93			2			2	
	F6	61,3				2			2
	F7	90,67					2		
	F8	88,11						2	2
	G1	65	4	4	4	4	4	4	4
	K1	63,15	1						
	K2	92,52		1					
	K3	90			1	1	1	1	1
	K4	31,93			1			1	
	K6	61,3				1			1
	K7	90,67					1		
	K8	88,11						1	1
	L1	30,63	1	1	1	2	3	4	4
	L2	32,52	2	2	2	4	6	8	8
	L3	30,63	1	1	1	2	3	4	4
	M1	30,63	1	1	1	1	1	1	1
	M2	71,1	2	2	2	2	2	2	2
	M3	30,63	1	1	1	1	1	1	1
	M4	60,24	1	1	1	1	1	1	1
	M5	60,24	1	1	1	1	1	1	1
	M7	71,65	2	2	2	2	2	2	2
	S1	11,81	6	6	17	17	17	28	28
	ME1	41,85	2	2	2	2	2	2	2
	ME2	78	8	8	8	8	8	8	8
	ME4	58,07	0	0	1	2			
	ME9	11.81 x 11.81					2 sets	2 sets	3 sets
	ME5	1.38 x 1.38	8	8	8	10	12	14	14
	ME6	2.36 x 2.36	2	2	2	4	6	8	8
	ME7	23,5	1	1	1	2	3	4	4

	ME8	2	8	12	16	20	24	28	32
	A3	0,6x0,6x28	1	1	1	1	1	1	1
	A2	0.59 x 0.59 x 71.1	1 if double doors						
	S2	2.76 x 0.55 x 0.08	1 if double doors						
	Base profile end (L)	1.61 x 1.77 x 0.67	1	1	1	1	1	1	1
	Base profile end (R)	1.61 x 1.77 x 0.67	1	1	1	1	1	1	1
	Threshold	28 x 1.18 x 1.57	1 if one doors						
	Threshold double doors	57.28 x 1.18 x 1.57	1 if double doors						
	Screw for dowel	0.24 x 1.57	14	16	18	20	22	24	26
	Base dowel	0.39 x 1.57	14	16	18	20	22	24	26
	Base profile cap	0.55 x 0.39	14	16	18	20	22	24	26
	Glazing rubber (ft)		300	360	426	475	541	590	656
	Brush strip (in)		142	142	142	142	142	142	142
	Down pipe bend 90° - Ø1,37 in		2	2	2	2	2	2	2
	Sliding roller		2	2	2	2	2	2	2
	Bolts 6x12		100	110	120	140	170	180	190
	Bolts 6x30		2	2	2	4	6	8	8
	Nuts 6x1		105	115	125	145	180	190	200
	Bolts, washer, 2 nuts 7x20		1	1	1	2	3	4	4
	Bolts, washer, nuts 10x20		2	2	2	2	2	2	2
	Tapping screws 4,8x25		8	8	8	12	16	20	20
	Tapping screws 4,8x19		5	5	5	5	5	5	5
	Hexagon socket screws		24	24	68	68	68	112	112
	Nut caps		105	115	125	145	180	190	200
	Gutter end incl. downpipe		2	2	2	2	2	2	2
	Gutter end		2	2	2	2	2	2	2
	Ridge end		2	2	2	2	2	2	2
	Railends (L) sliding door		1	1	1	1	1	1	1
	Railends (R) sliding door		1	1	1	1	1	1	1
	PVC piece gable		4	4	4	4	4	4	4
Glass									
Gable 28,54 x 72,44 in	Lenght = 72,44 min minus wall height		11	13	15	17	19	21	23
Sliding door 28,54 x 70,75 in			1	1	1	1	1	1	1
Roof 28,54 x 65,57 in			3	5	7	8	9	10	12
Roof window / Underneath roof window 28,54 x 32,2 in			2	2	2	4	6	8	8
Triangle 28,54 x 27,8 in			4	4	4	4	4	4	4
Triangle 28,54 x 15,63 in			4	4	4	4	4	4	4

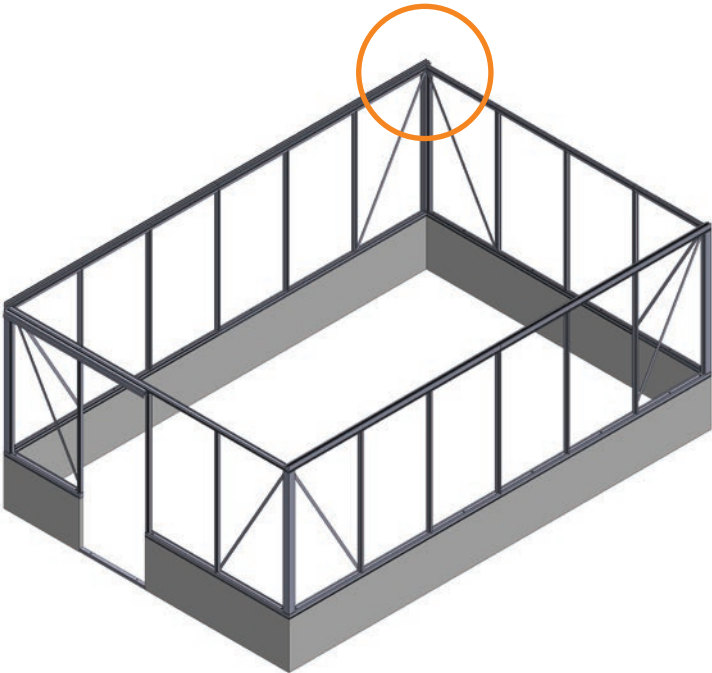
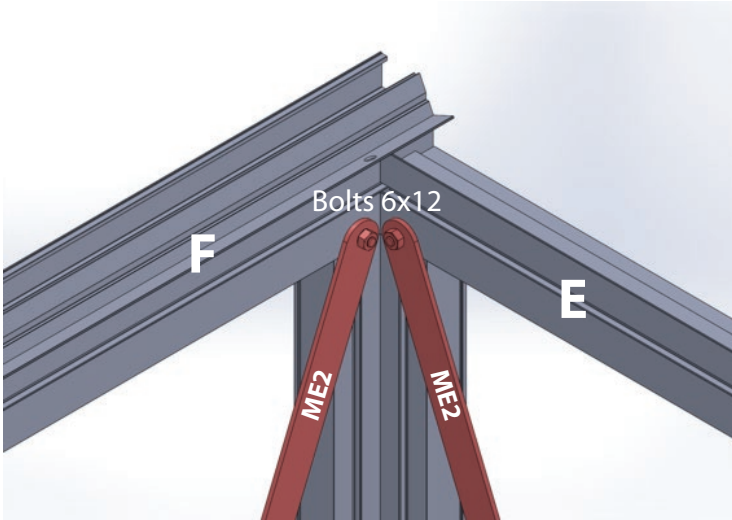
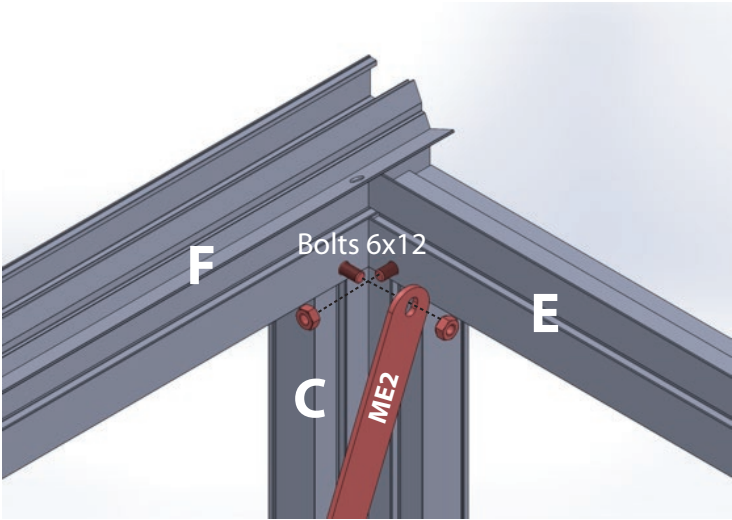
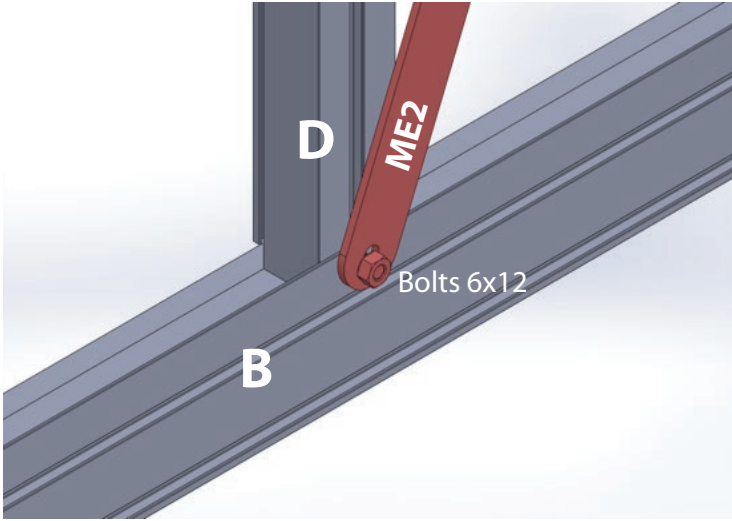
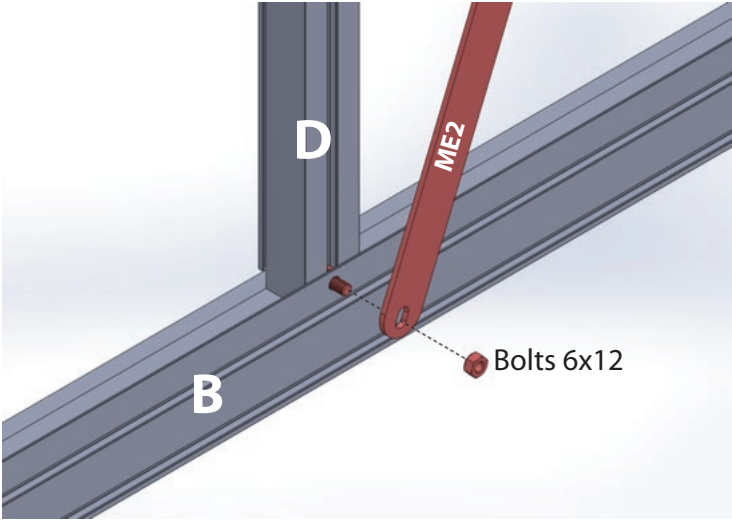






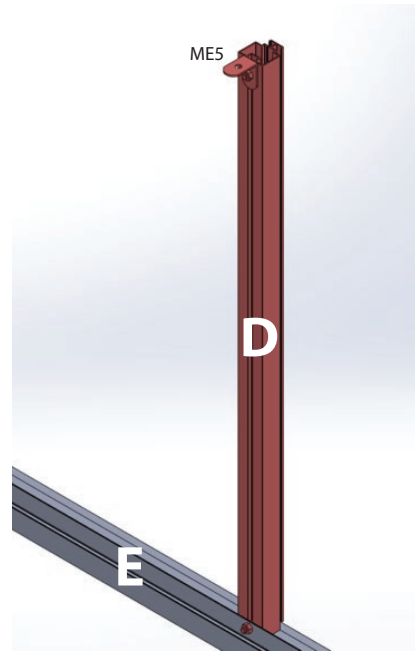
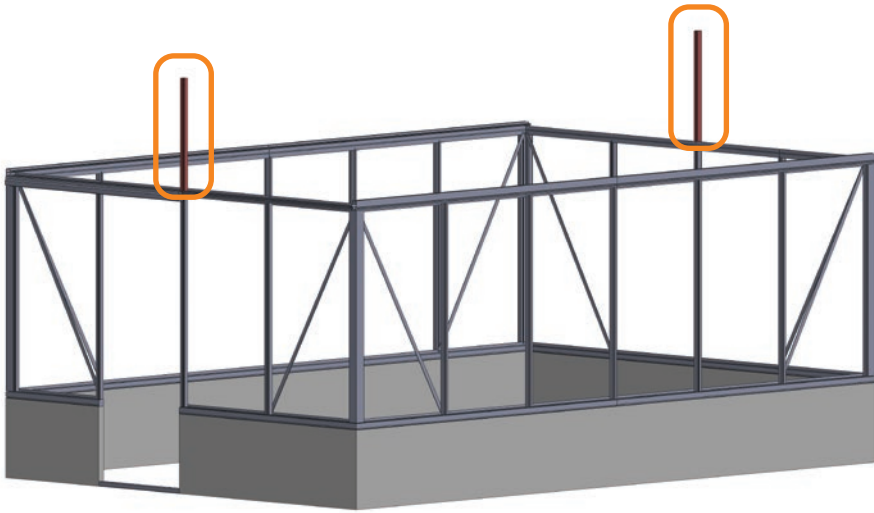
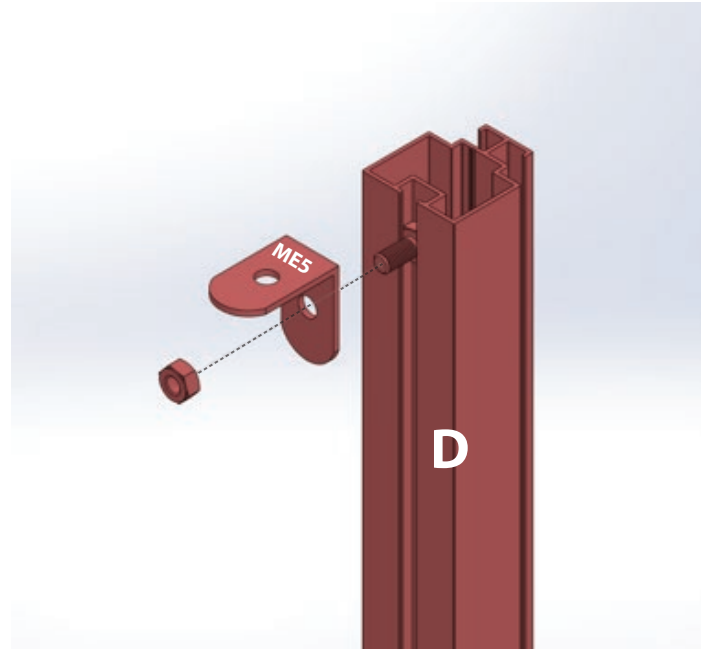
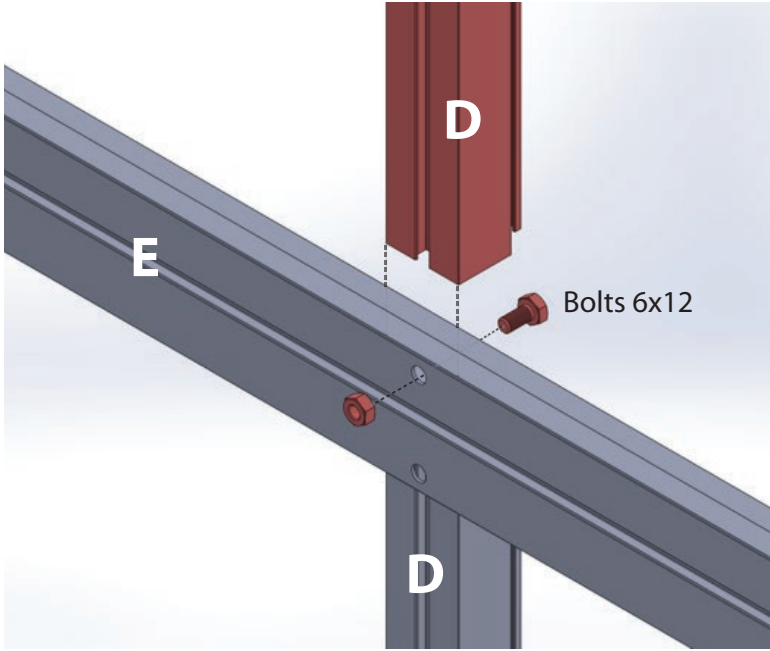


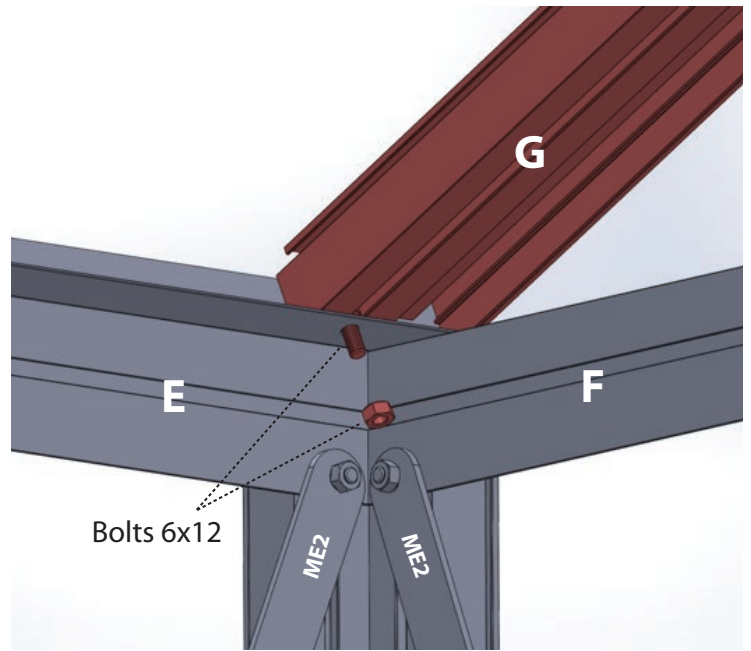
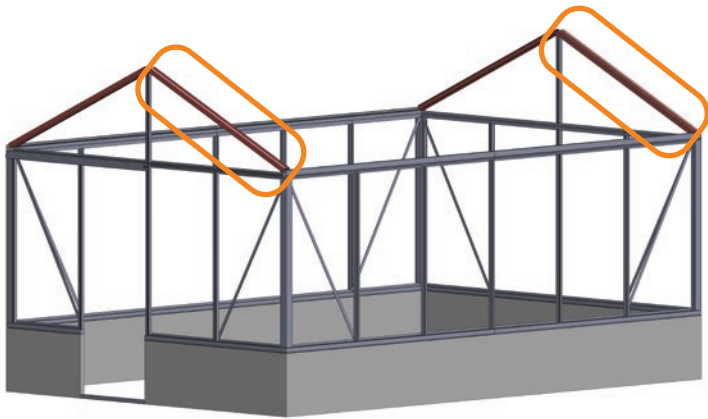
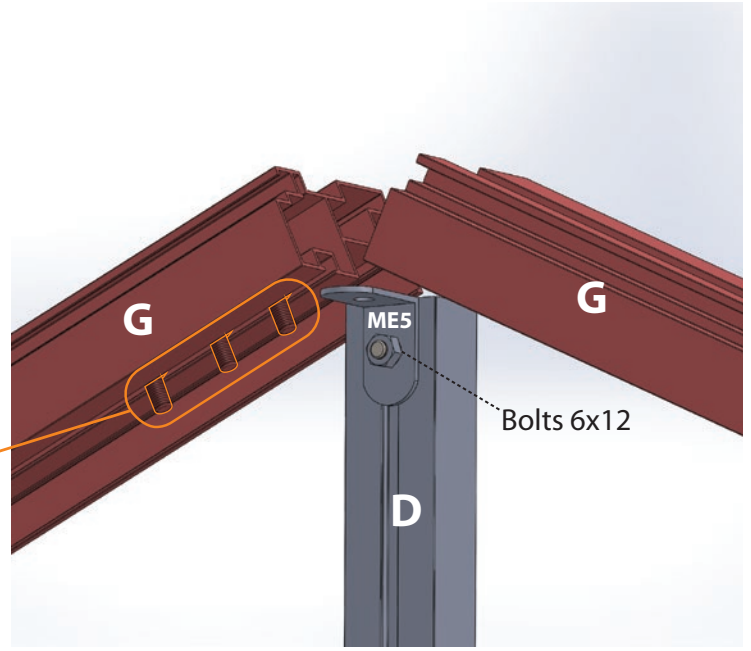
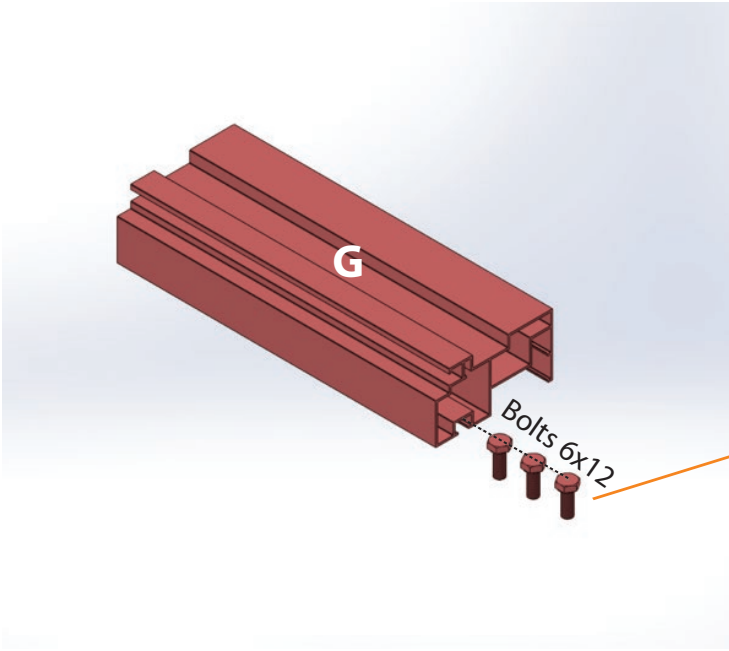
Step 15



ME10 ← W=92.56"

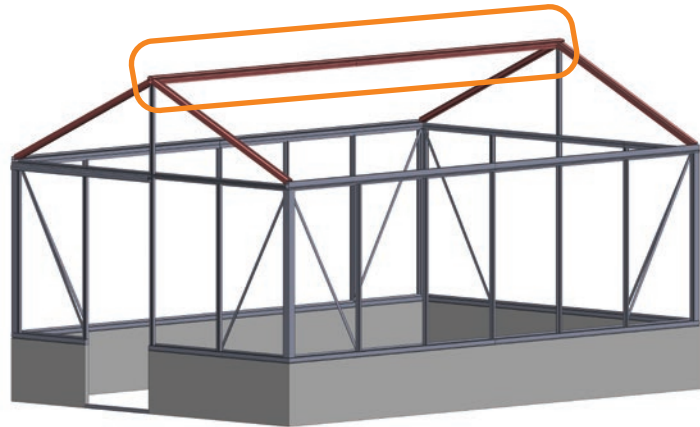
ME2 ← W=122.01"





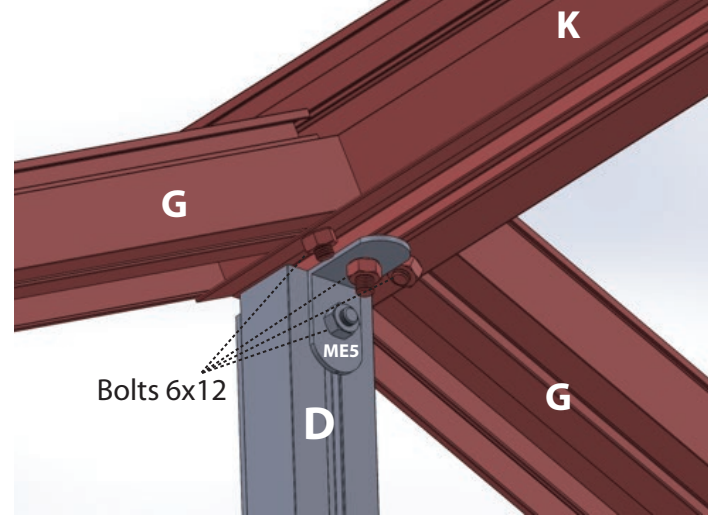
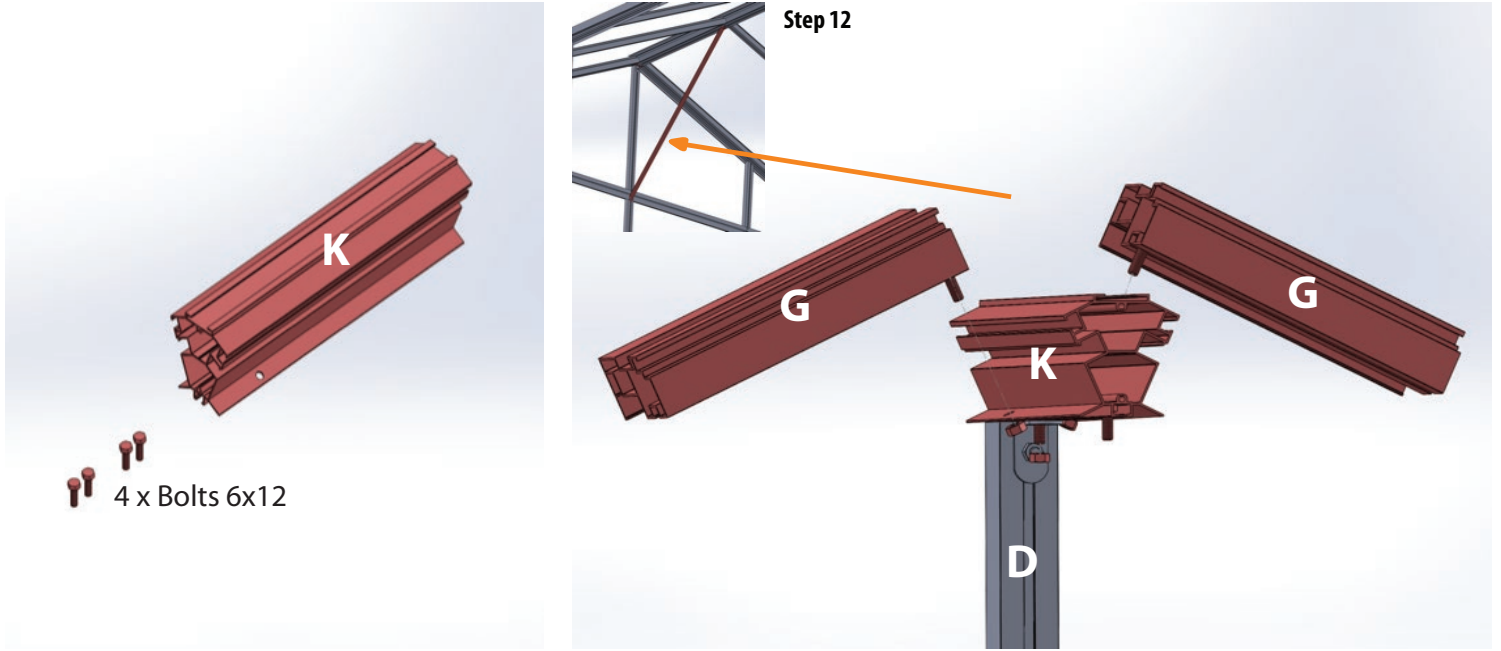
4 x Bolts 6x12

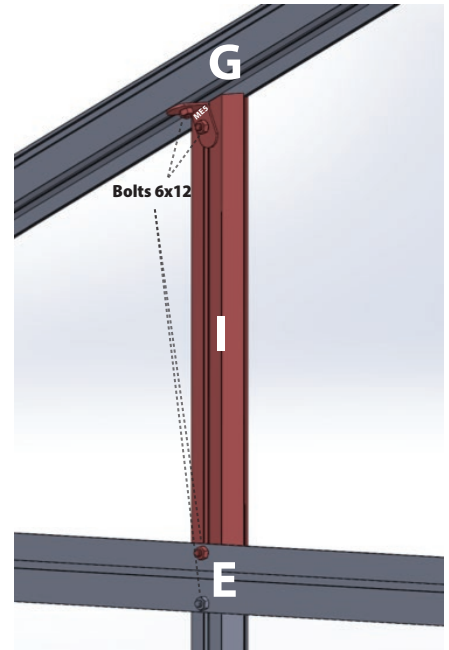
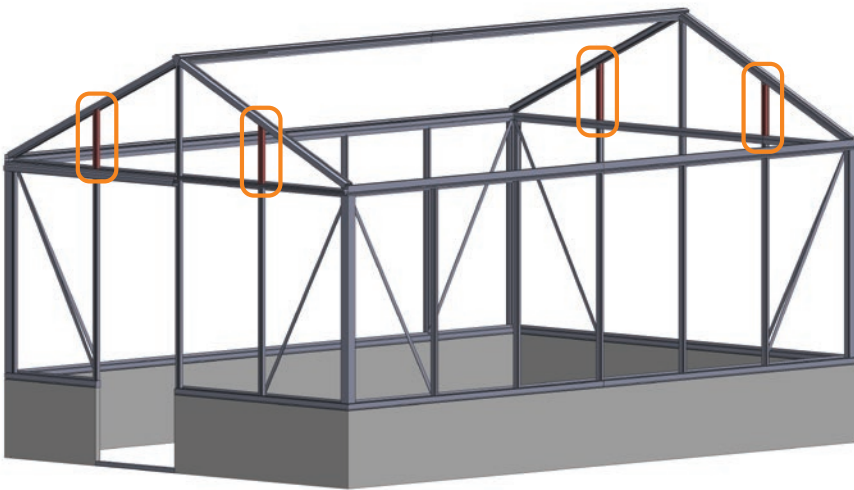
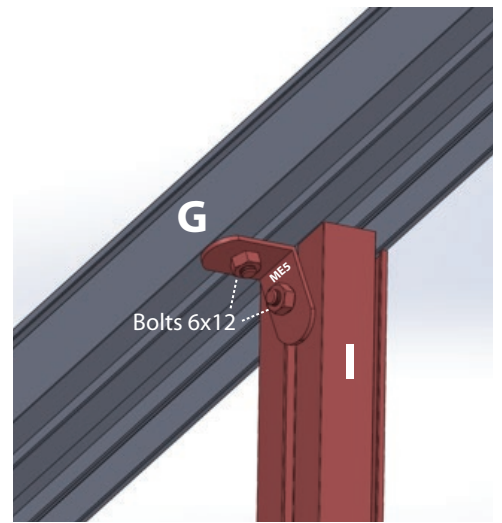
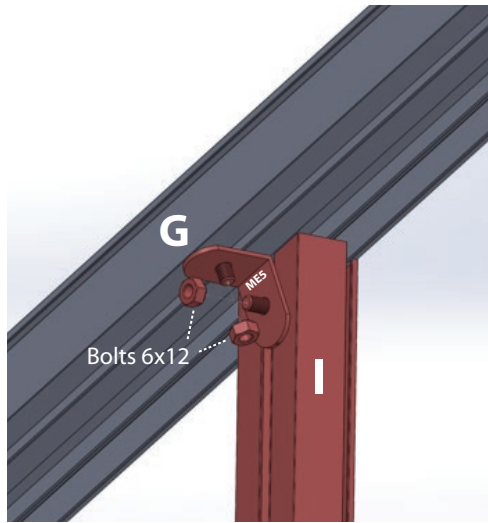
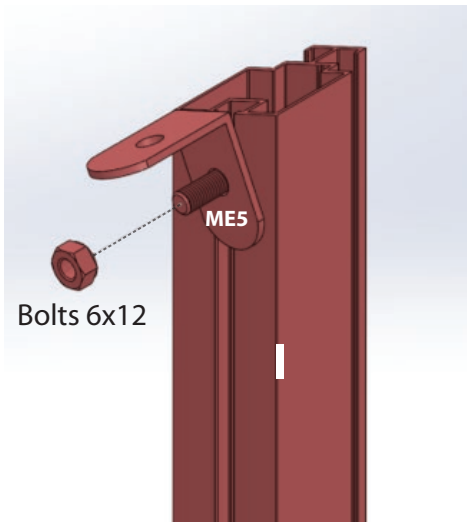
Step 12

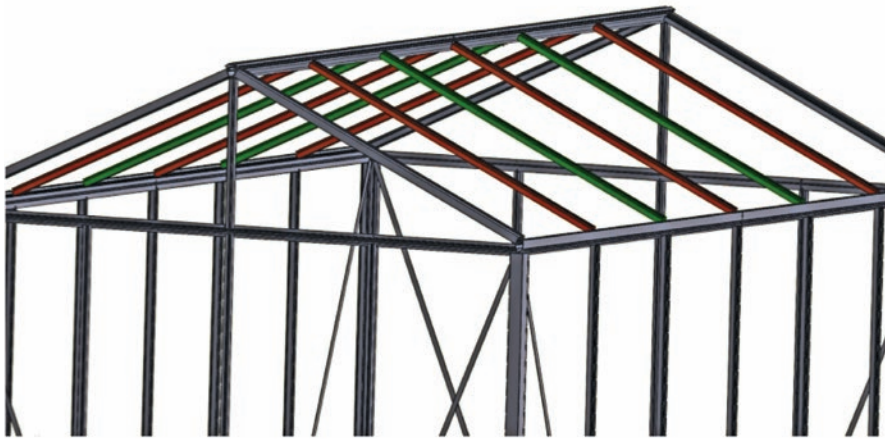


Bolts 6x12

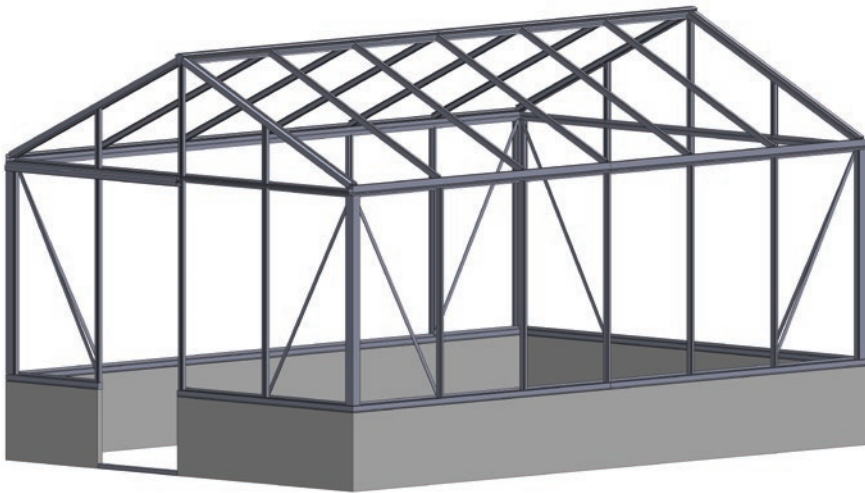
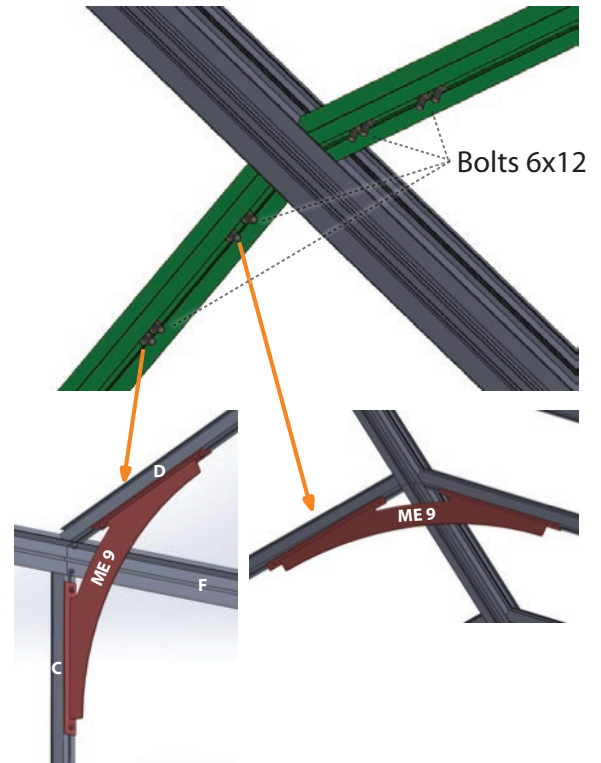
ME5





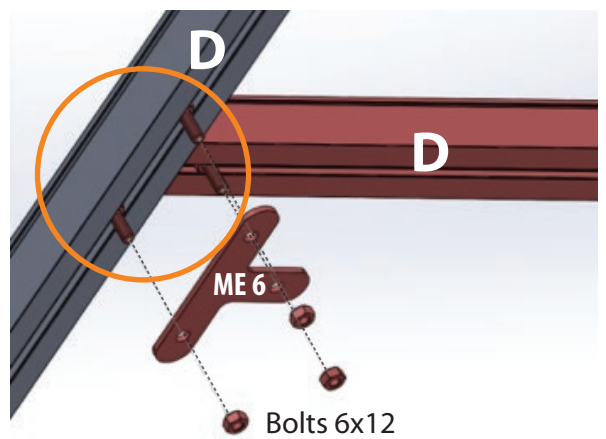


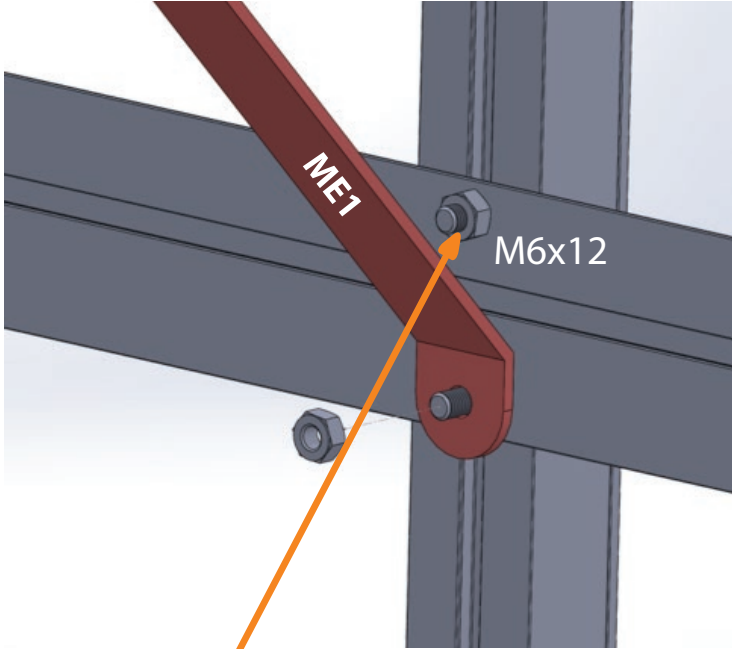
Step 15



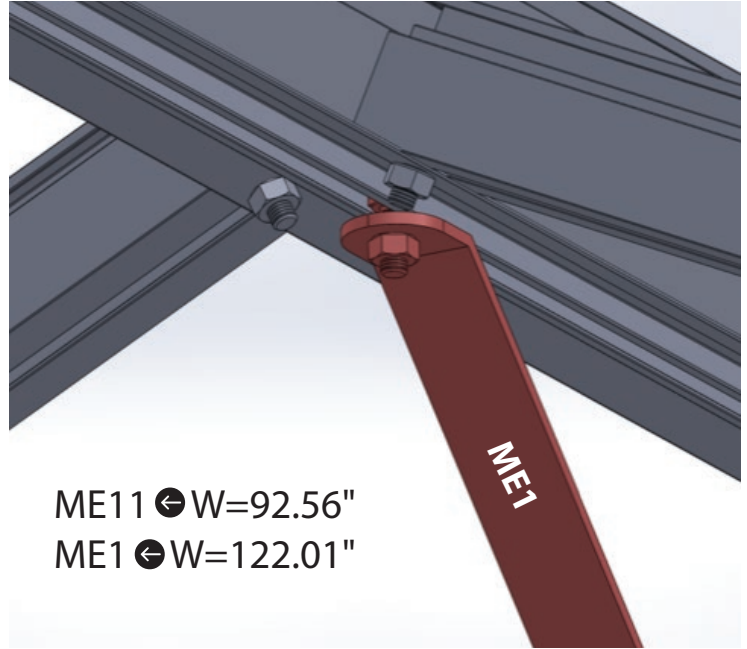
+2x M6x12 for window

Step 13

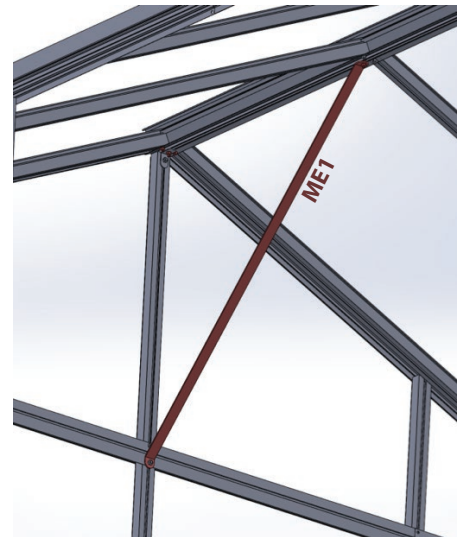
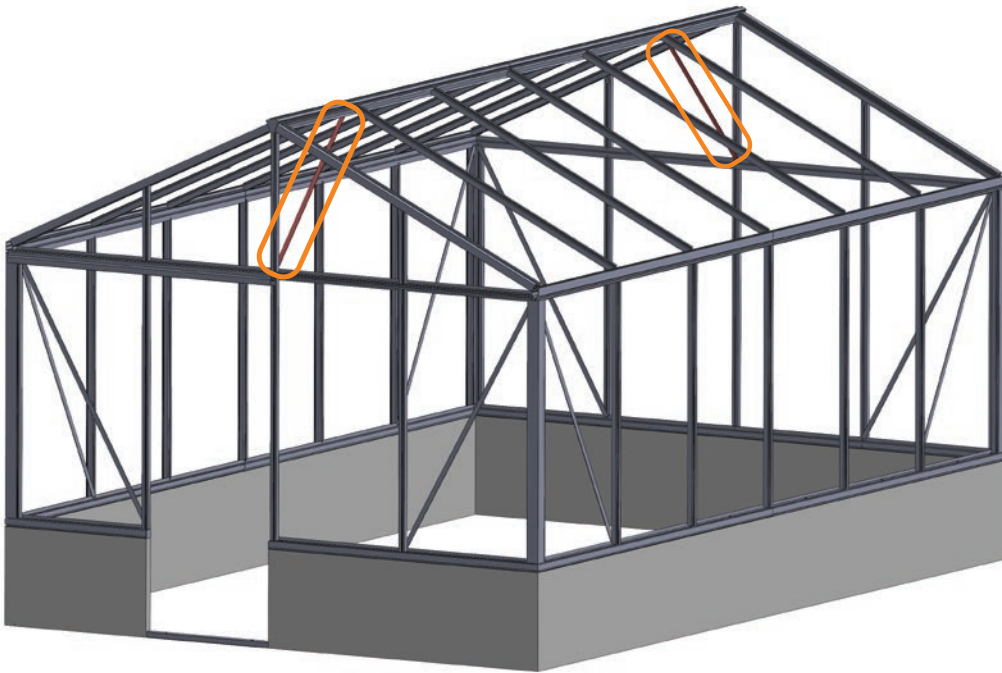


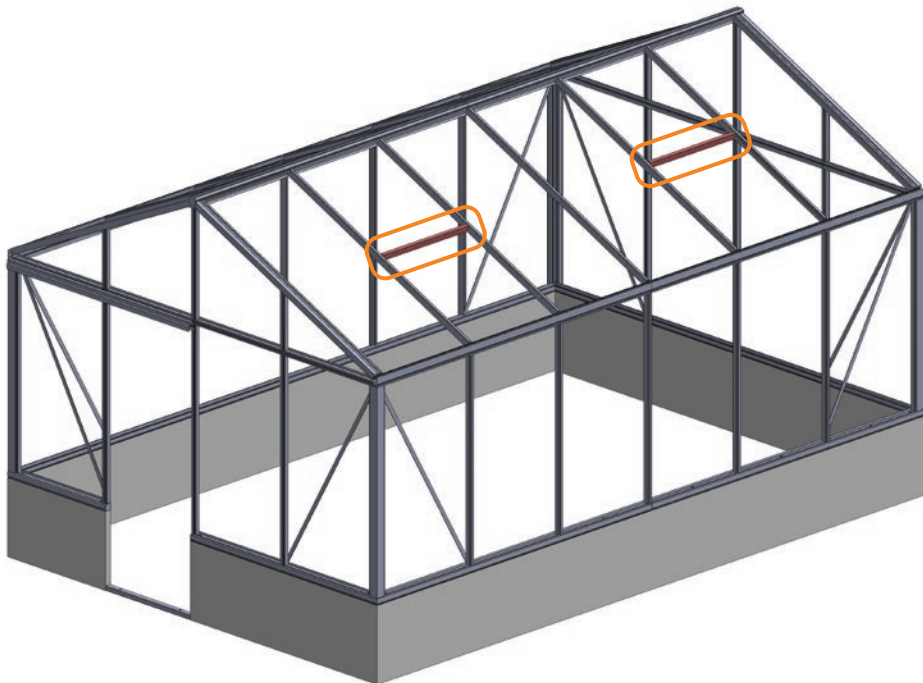
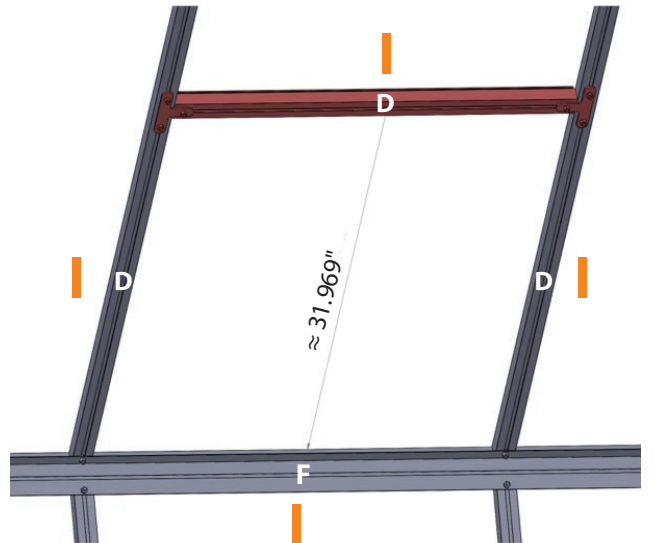
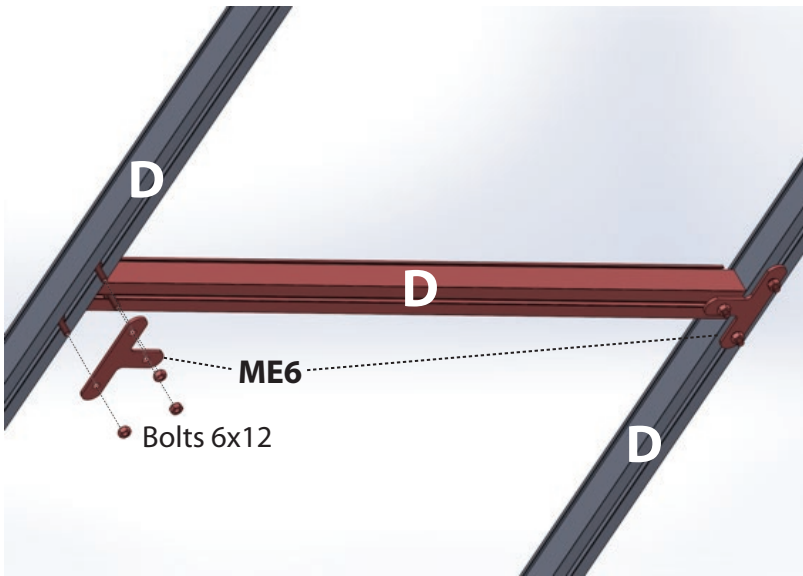
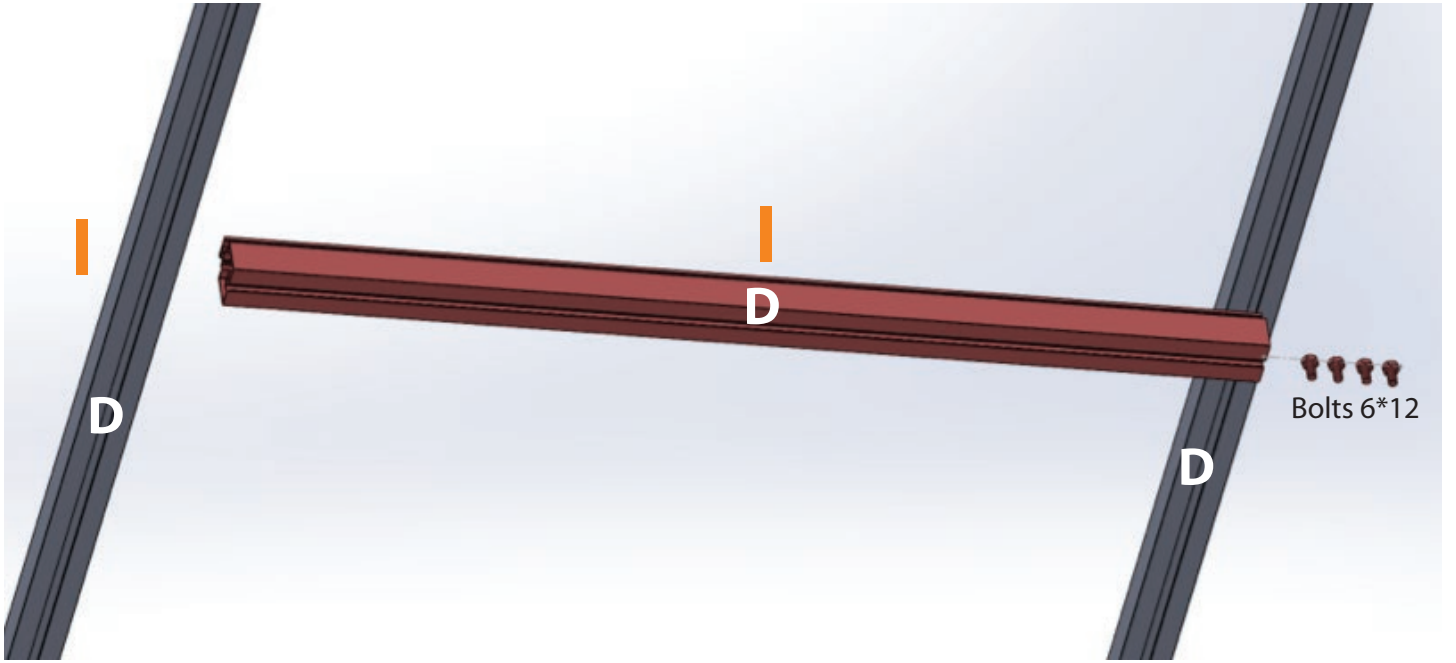


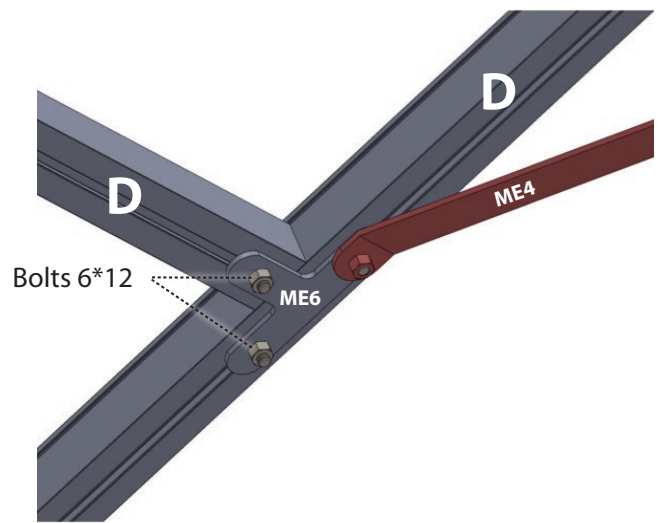
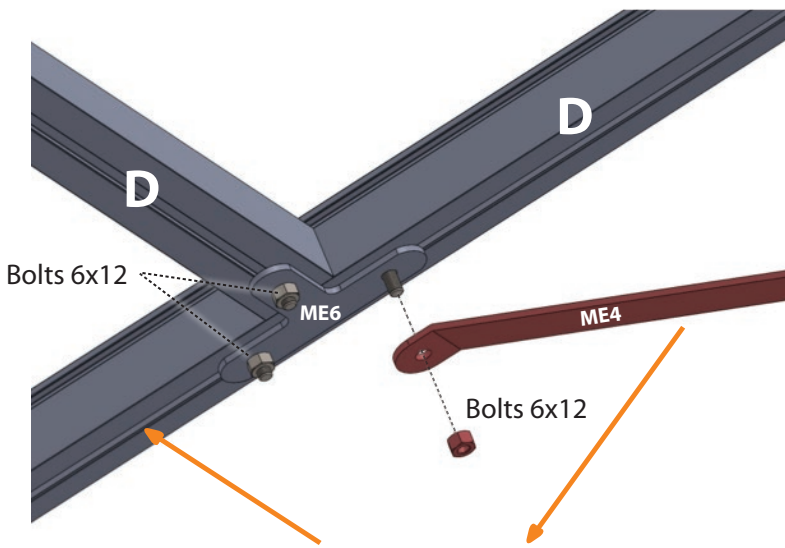
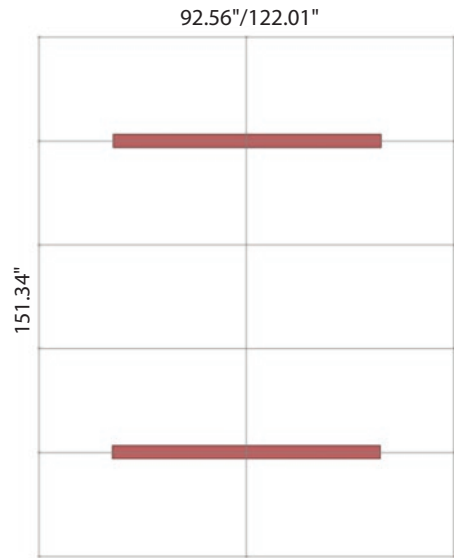
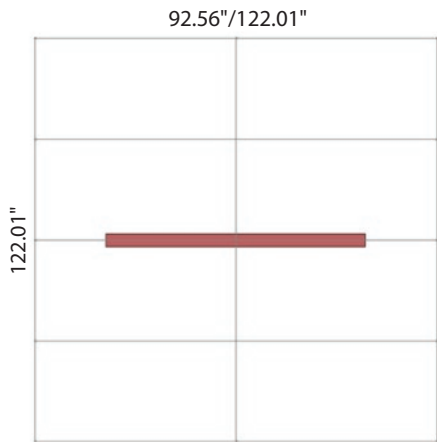
Attach ME11 here



Not used for sizes L = 63.23", 92.60"

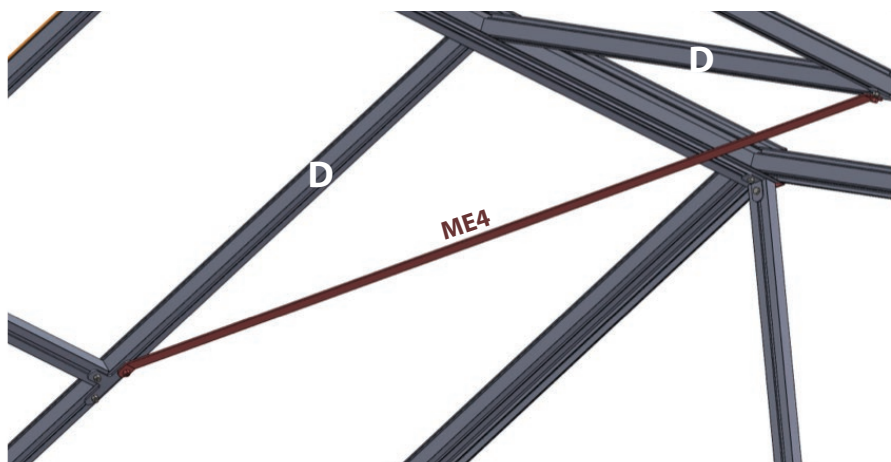




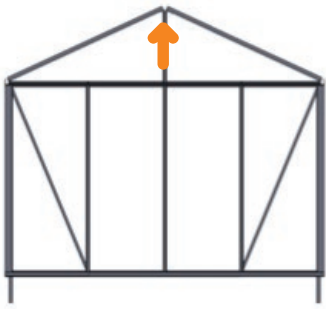
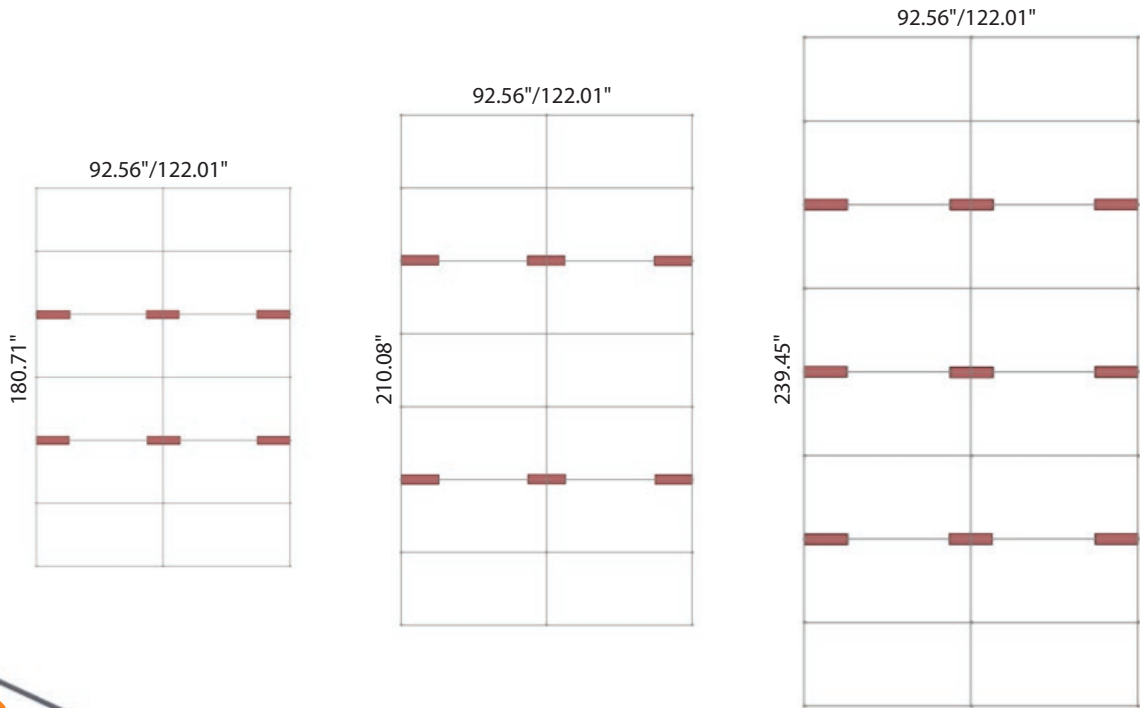


Install ME4 lower with extra screw if your house W=92.56"

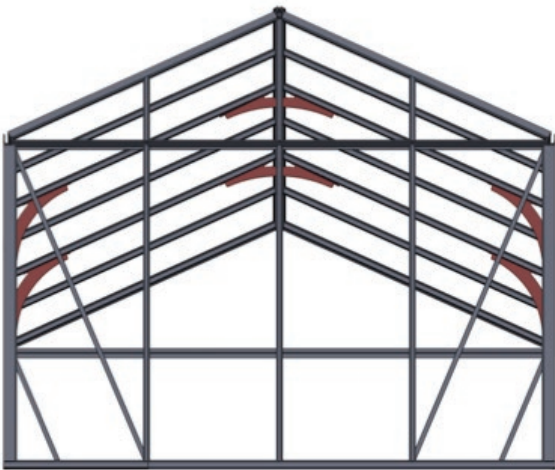
Not used for sizes L = 63.23", 92.60"



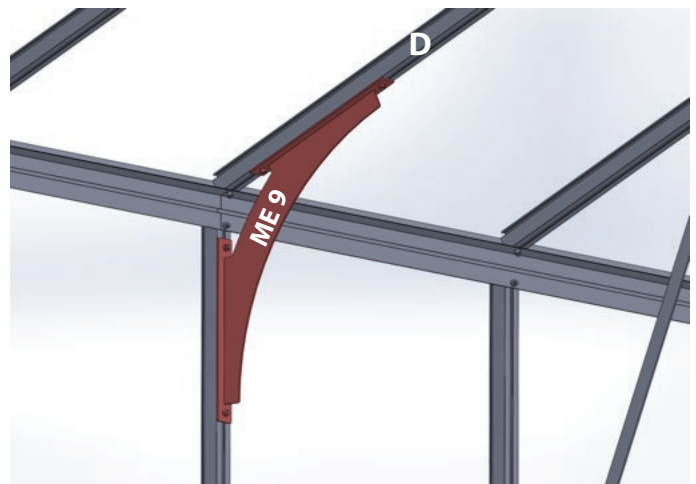
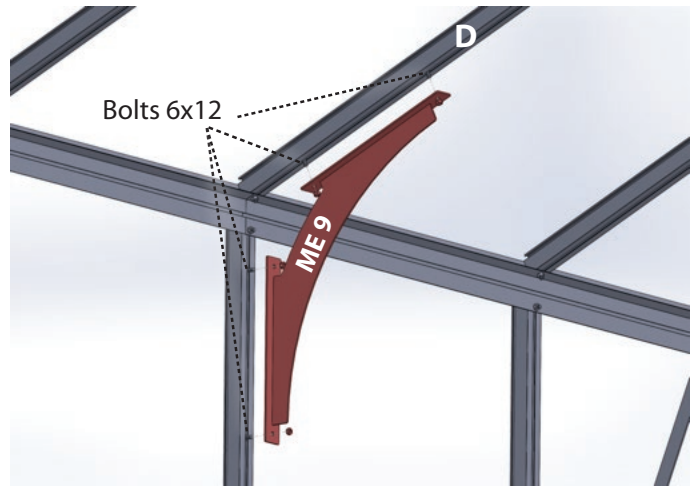
ME9 placement

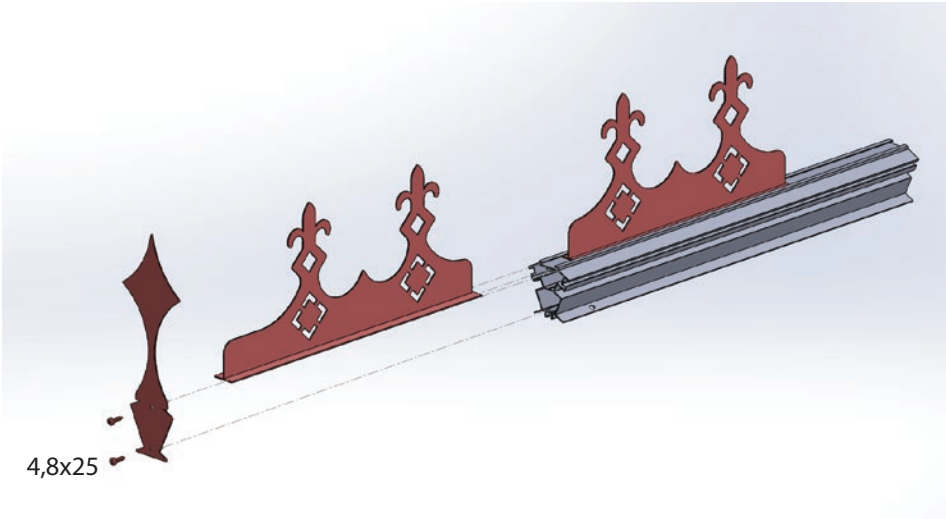
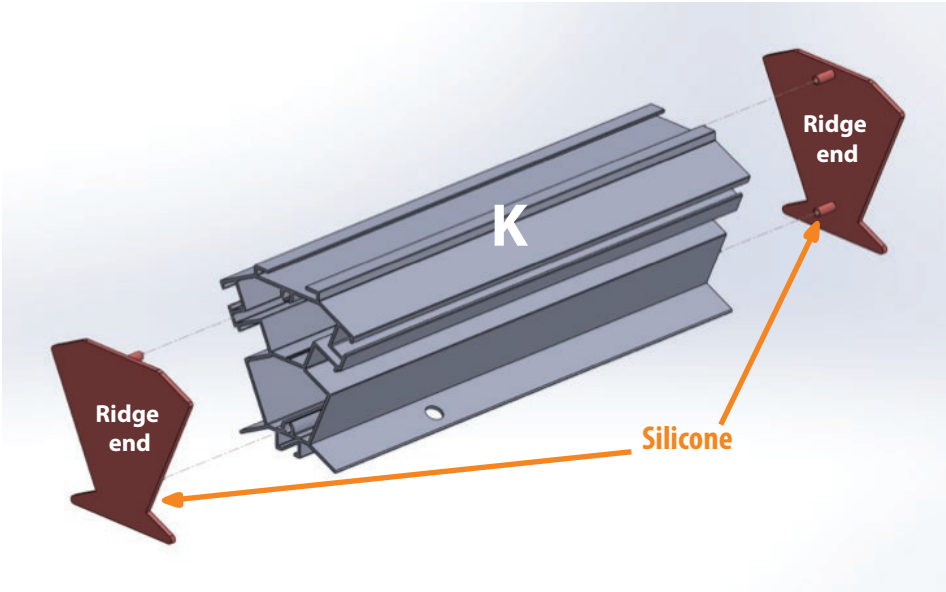


1. Push ridge from inside up by 0.59"
2. Fix the screws

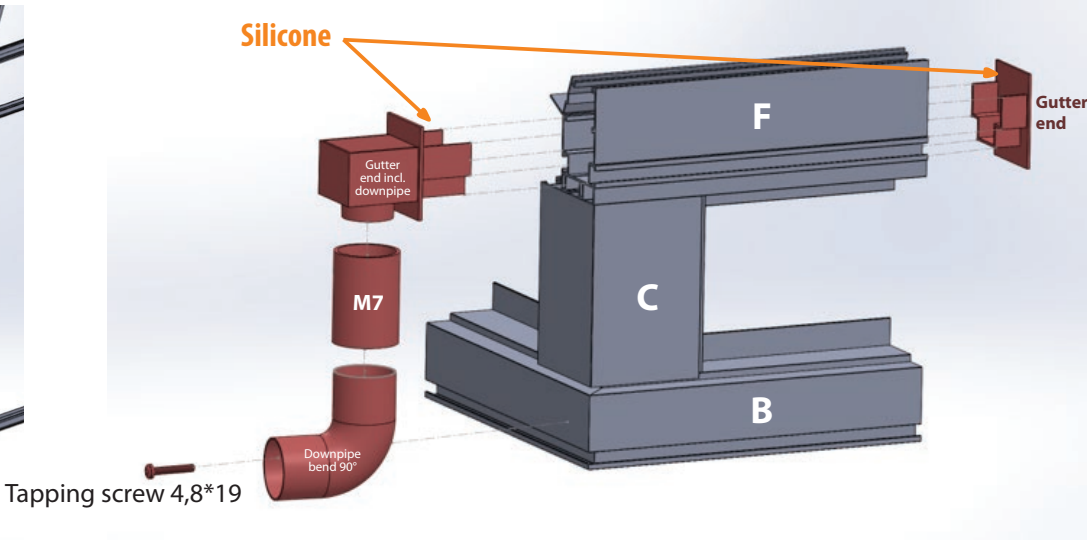
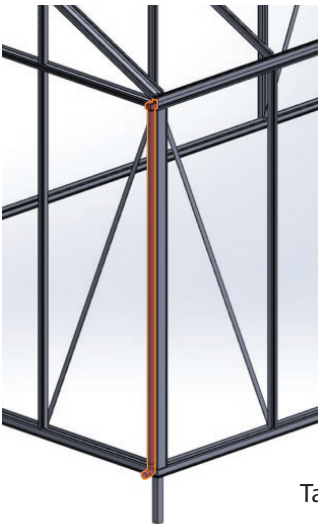


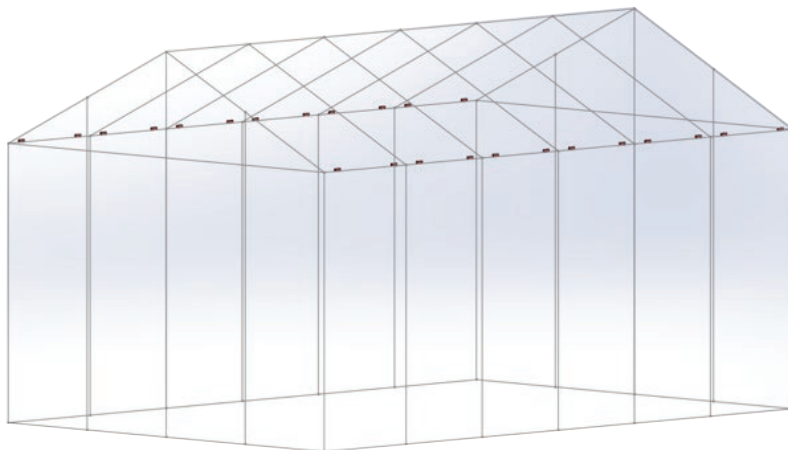
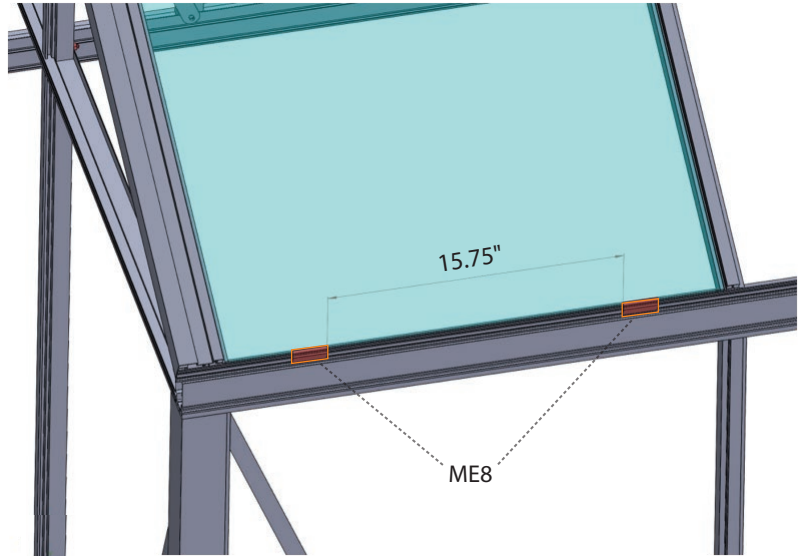
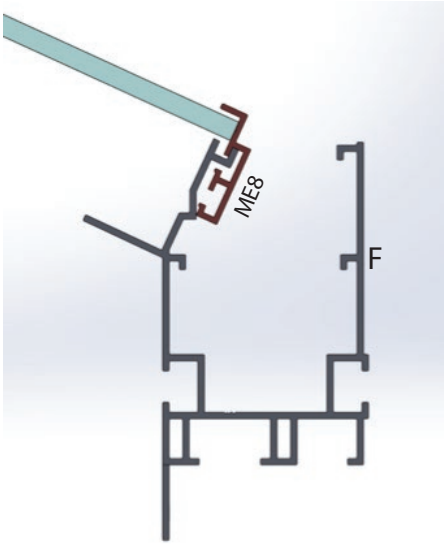
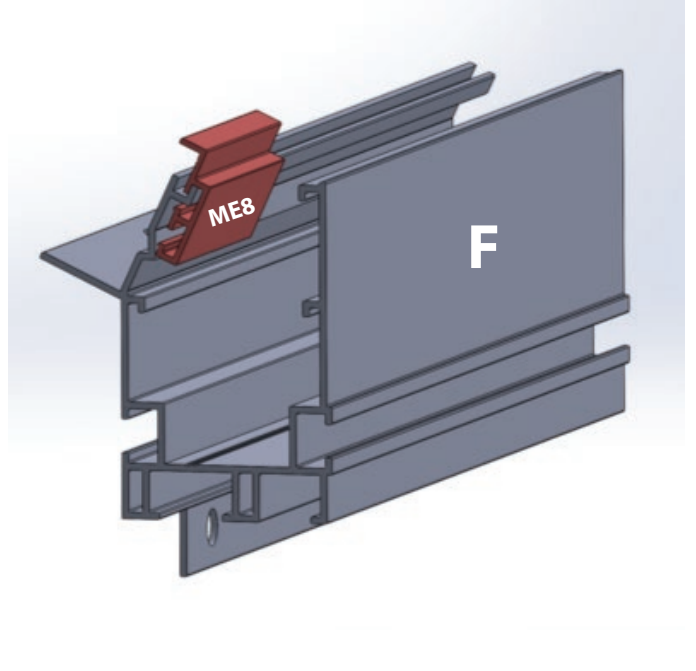
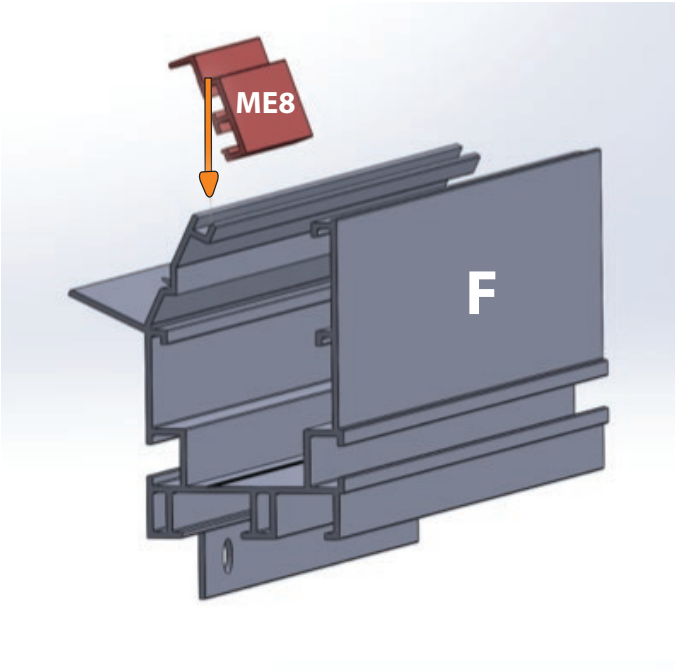
Not used for sizes L = 63.23", 92.60"

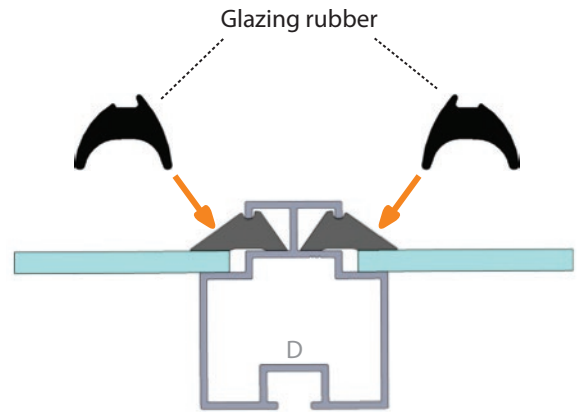
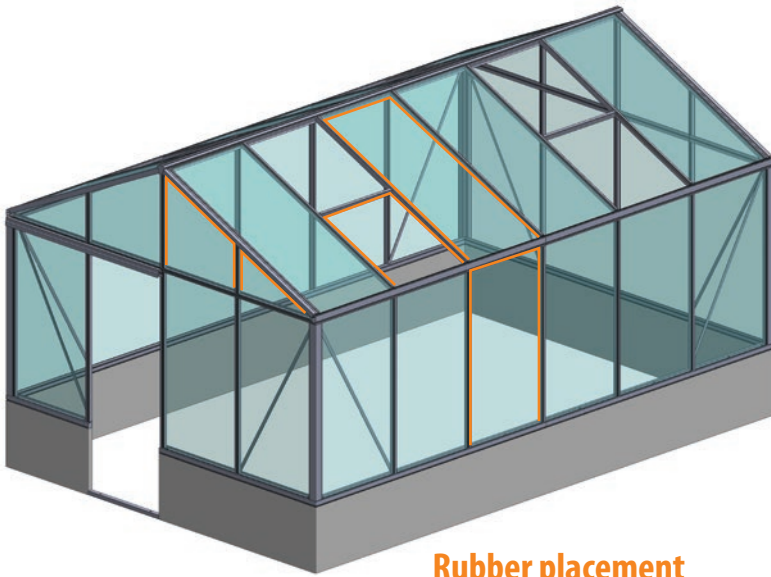
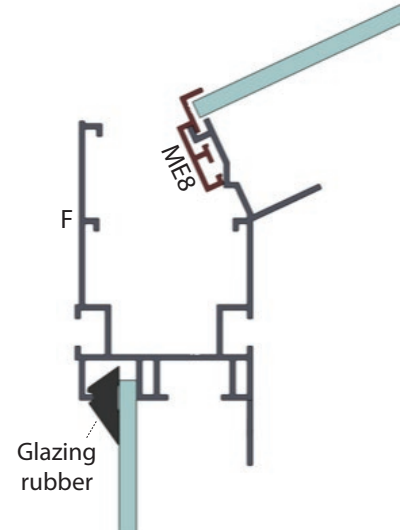
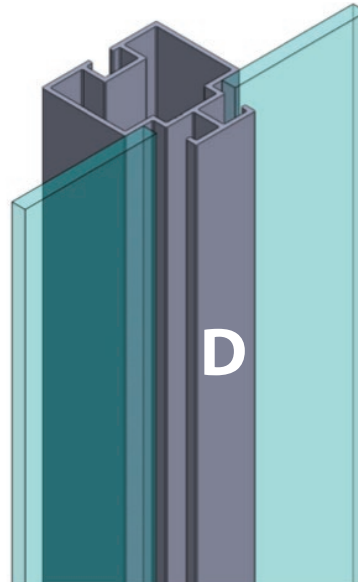
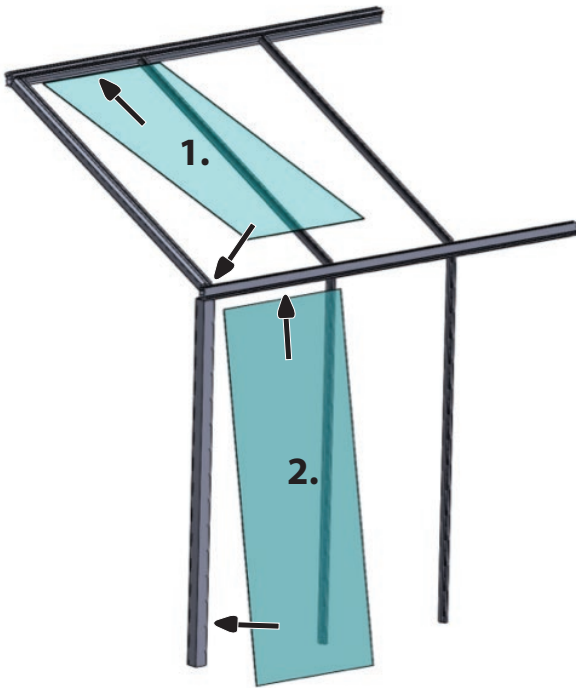


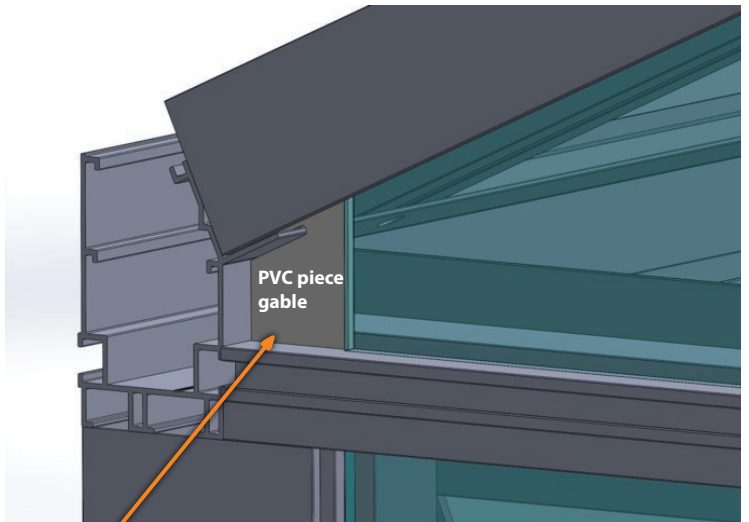
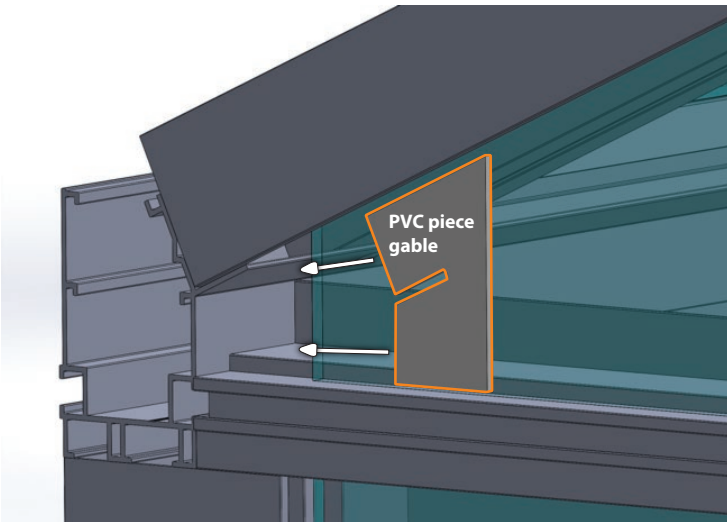
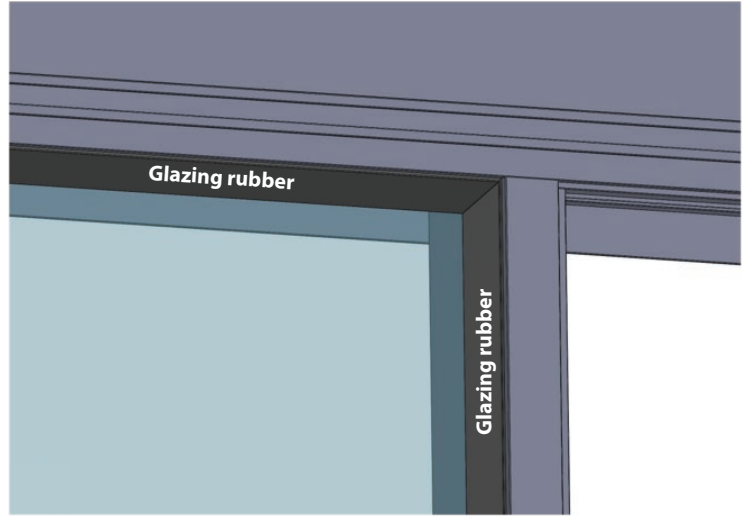
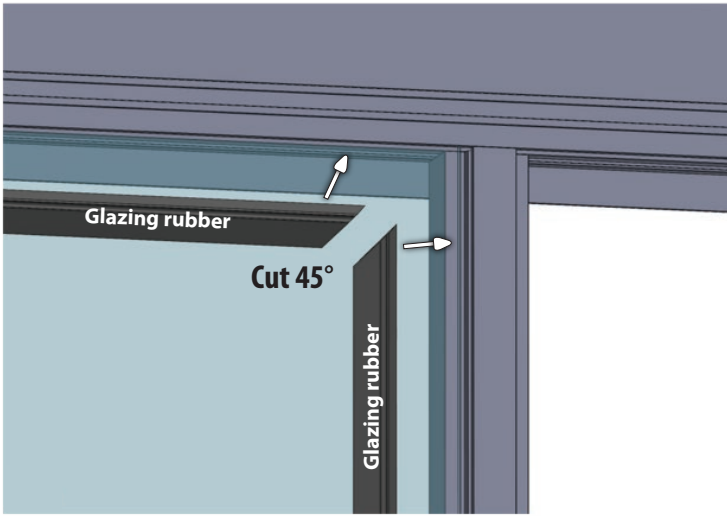


Install ridge decors before roof windows



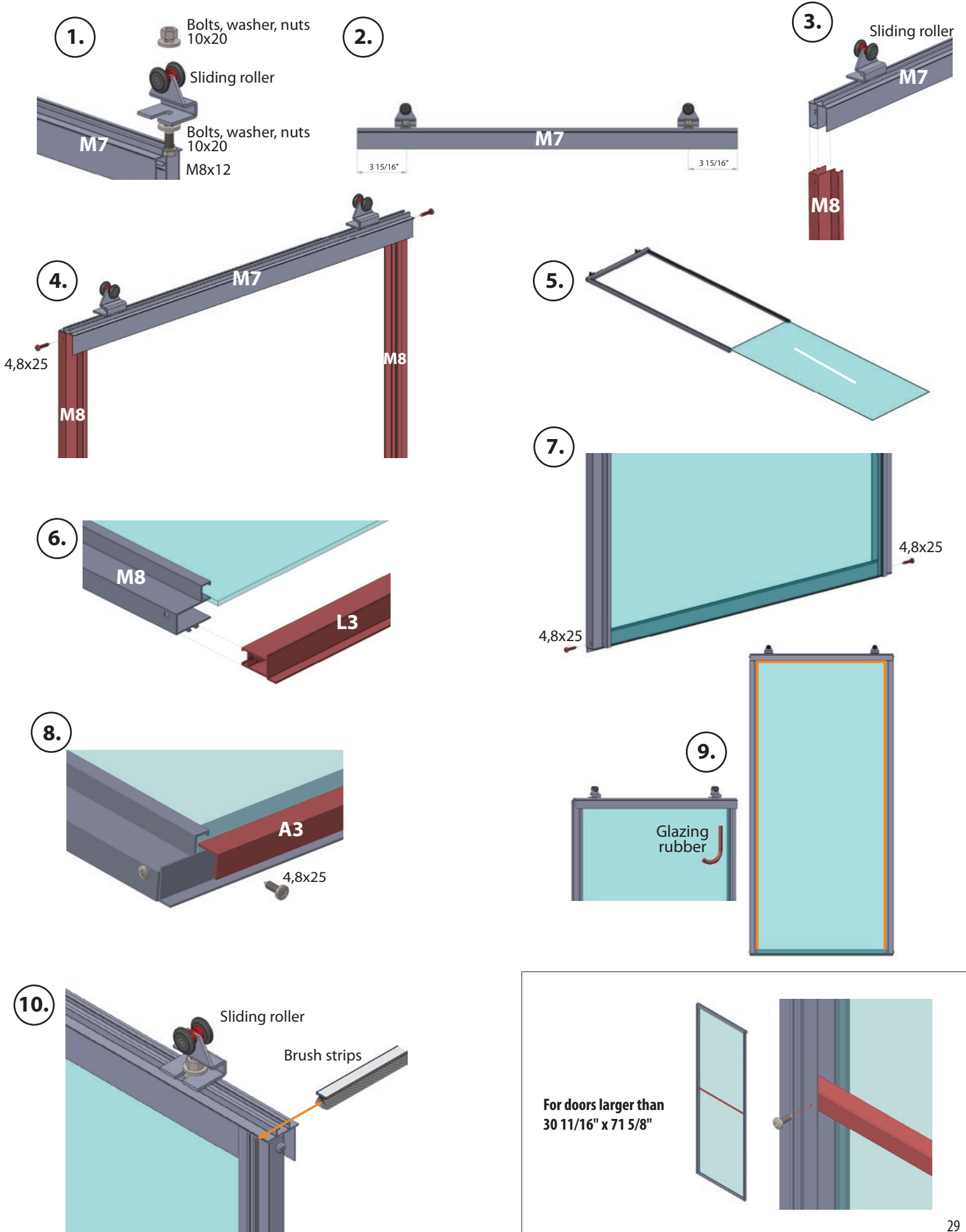




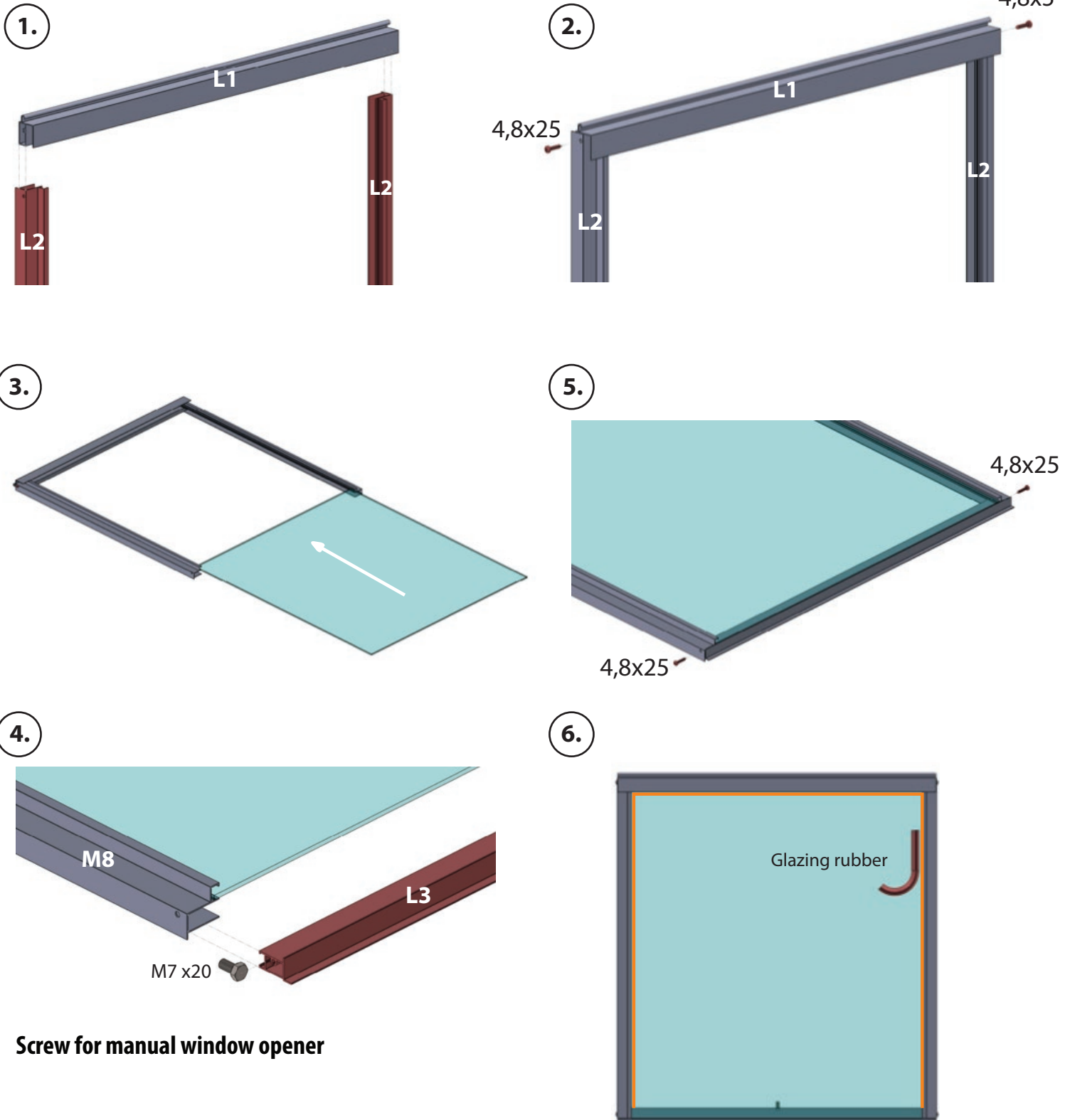


Silicone

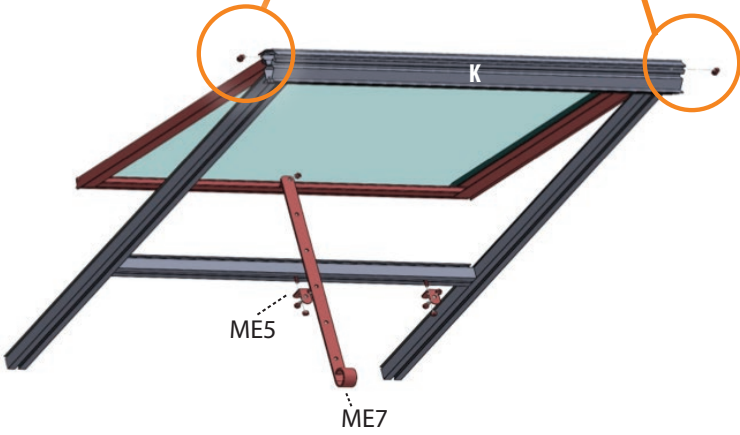
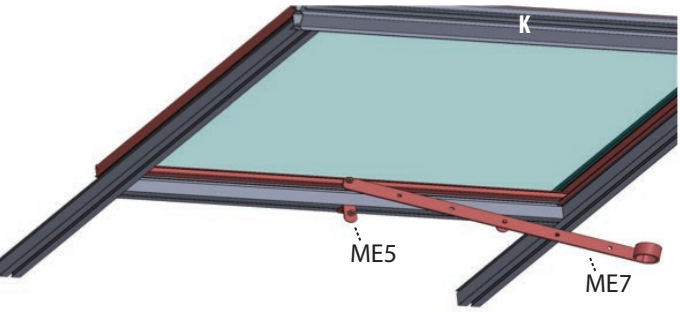
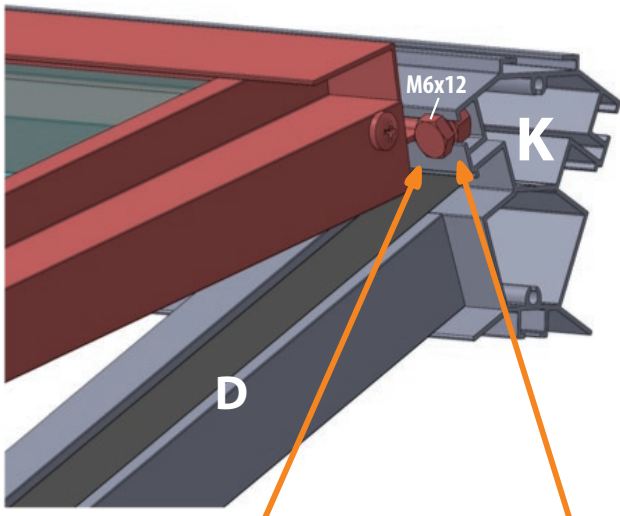
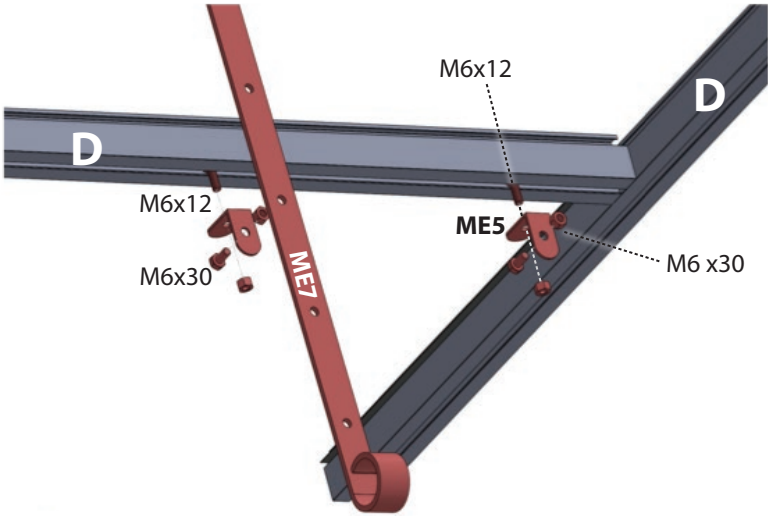
Sliding doors

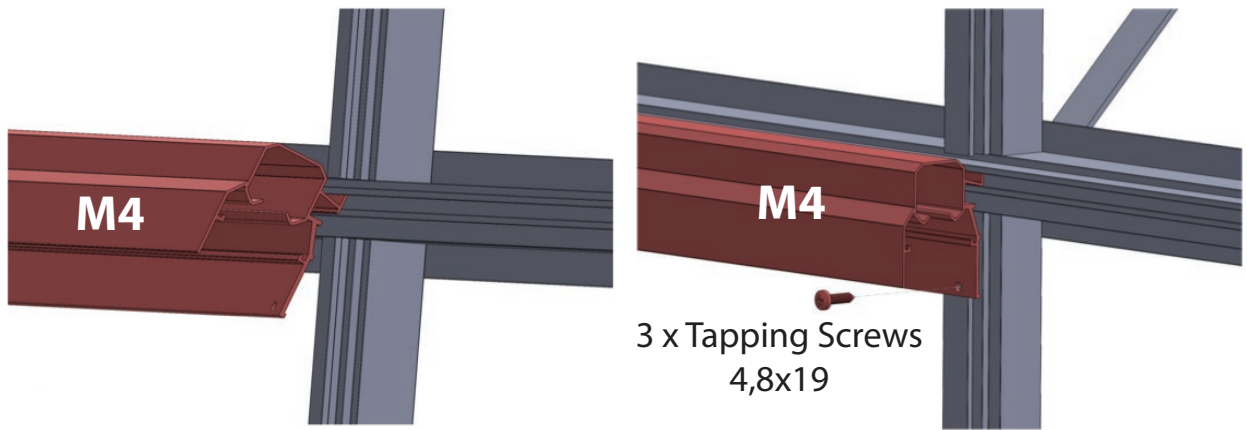


Roof window

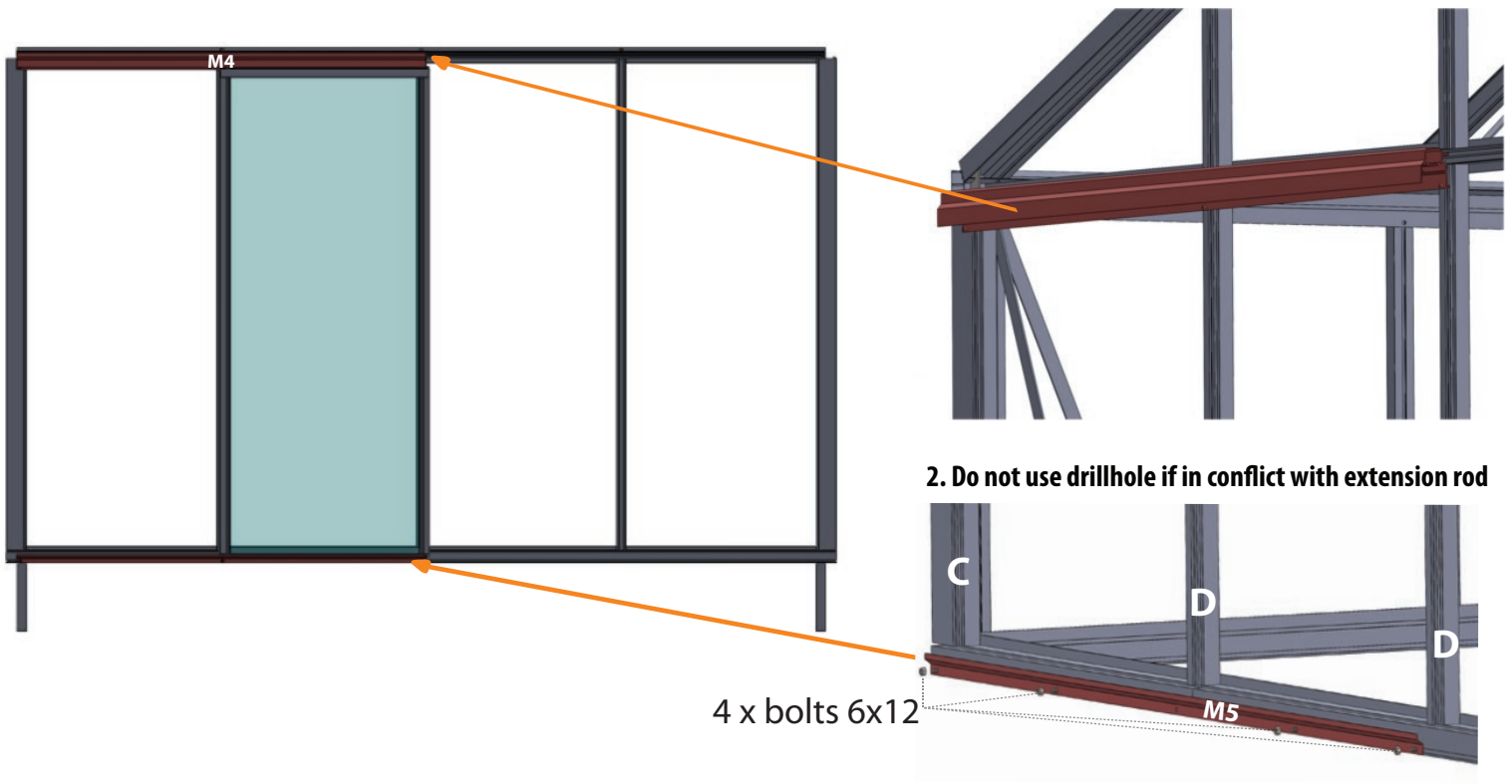
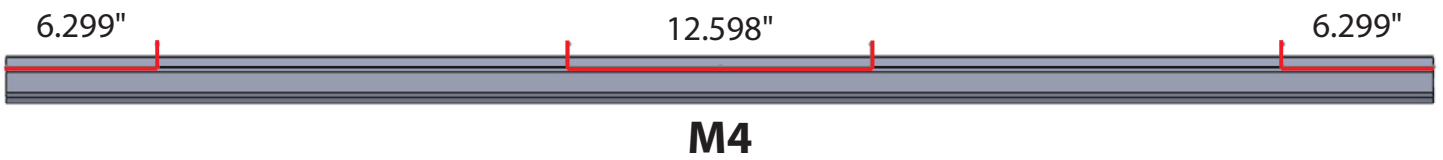


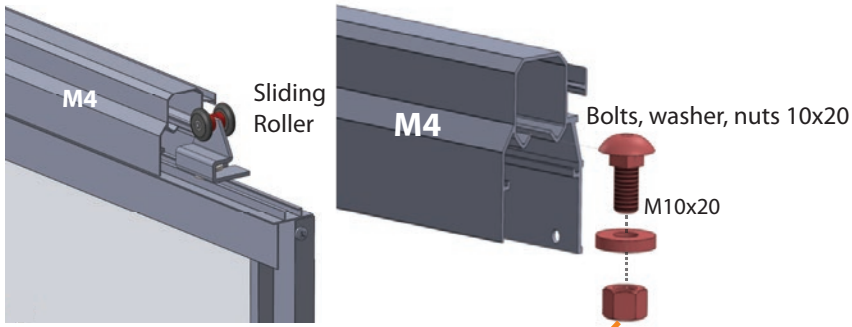
Screw for manual window opener



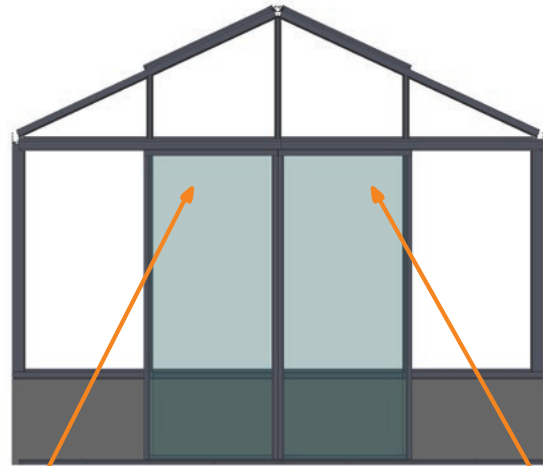
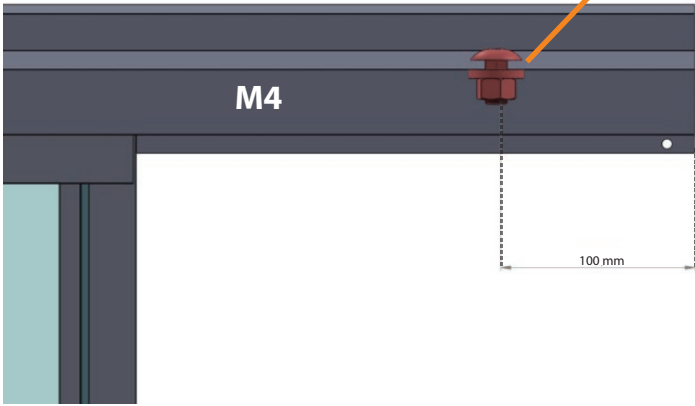


If in conflict with extension rod, cut out part here

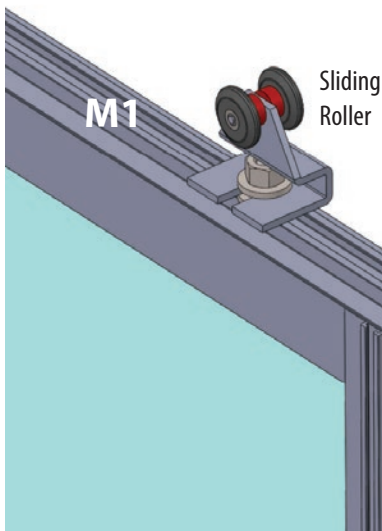
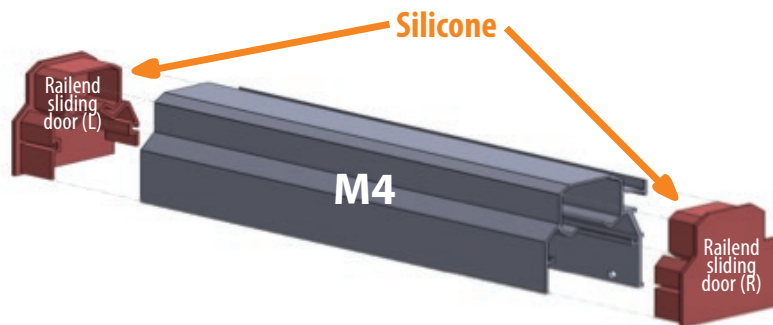
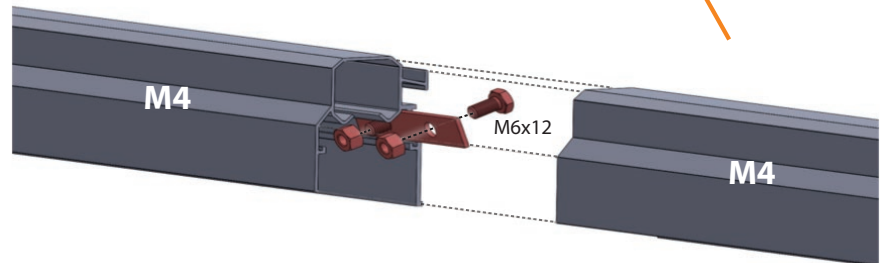




Insert doors into door profile and add stoppers



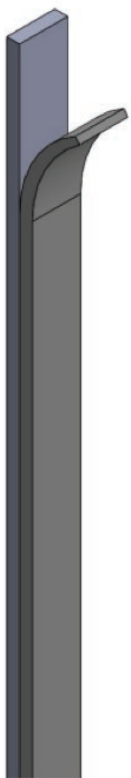
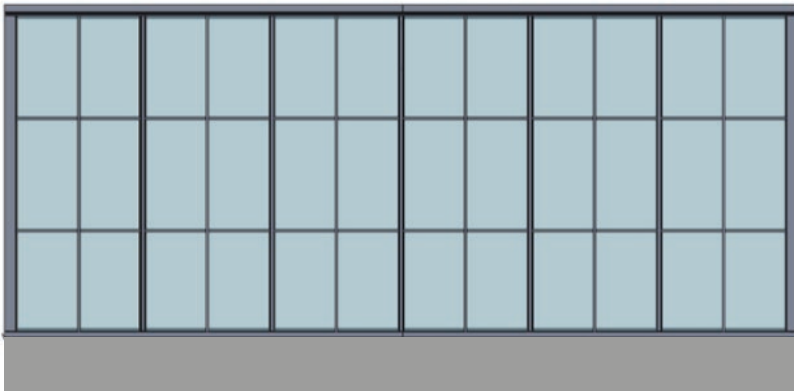
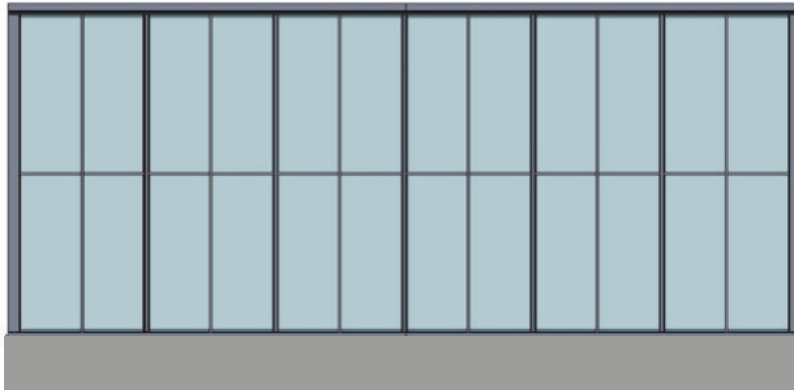
For double doors



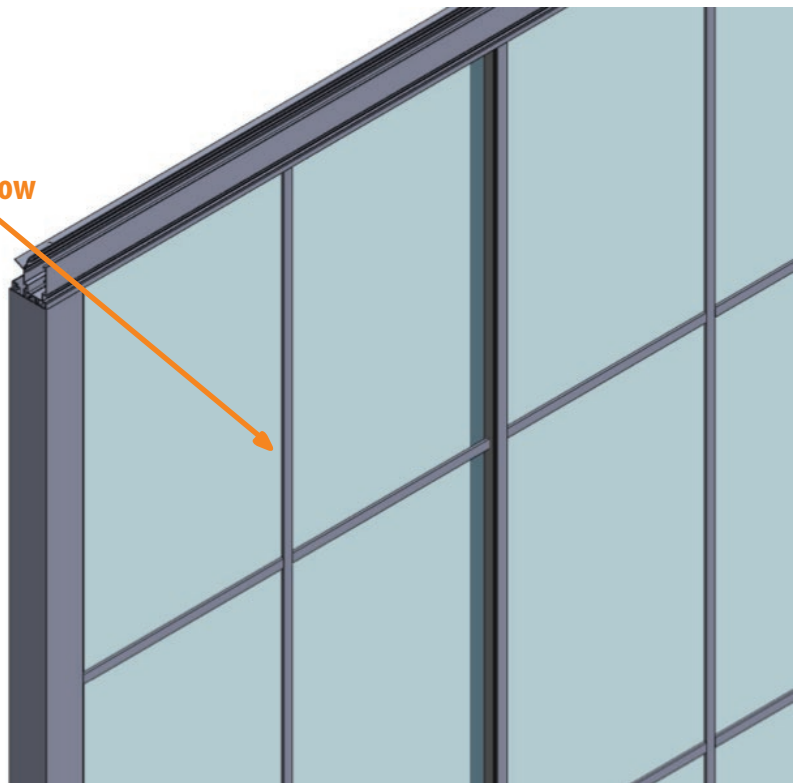
For double doors install 1 extra L profile

4 x Tapping screws S 4,8x25

Window Crossbars (Optional)

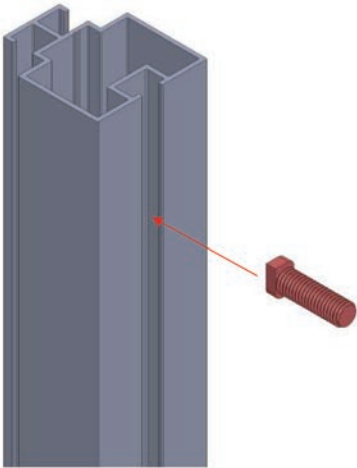


Glue to the window

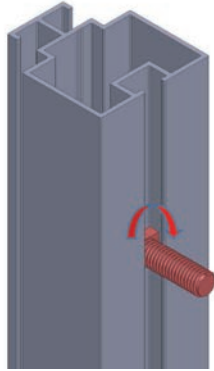


ACCESSORY MOUNTS

1. Insert the special screw into the profile



2. Turn it 90°



3. Attach the accessory and secure it with a nut

