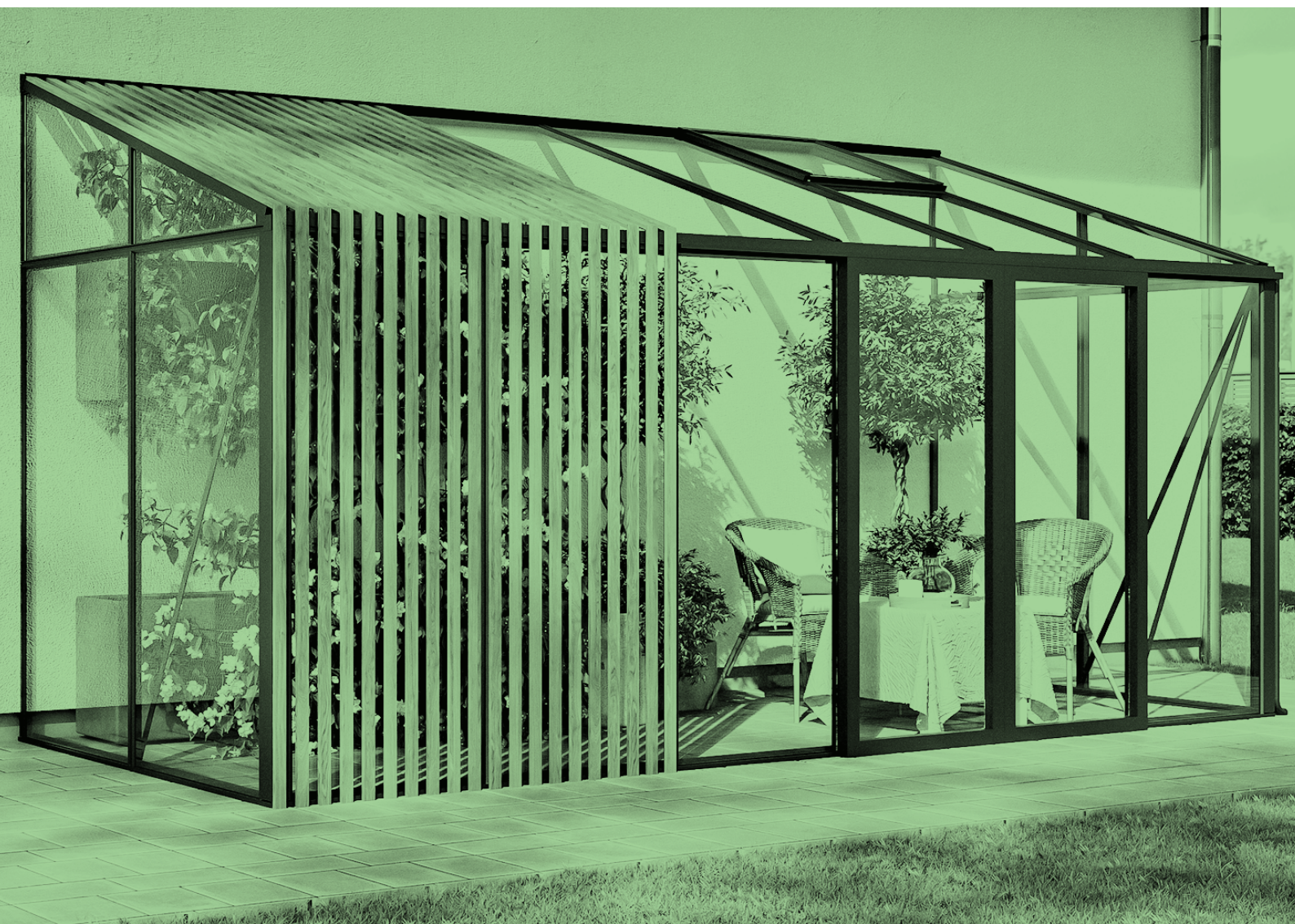




# LEAN-TO +ACCOYA

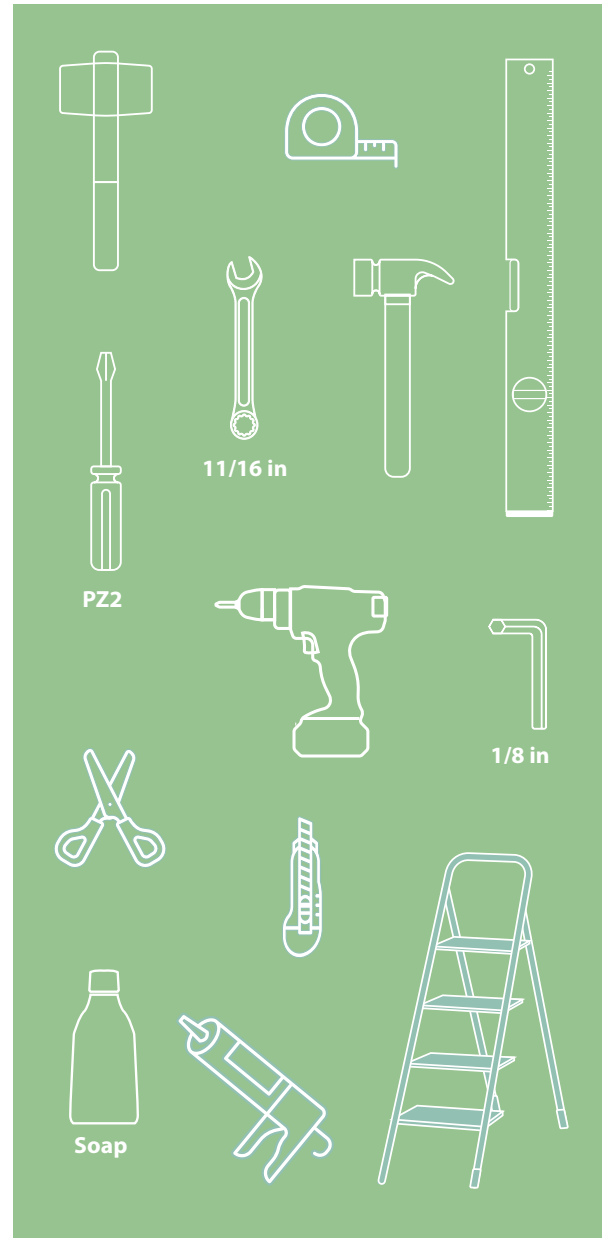
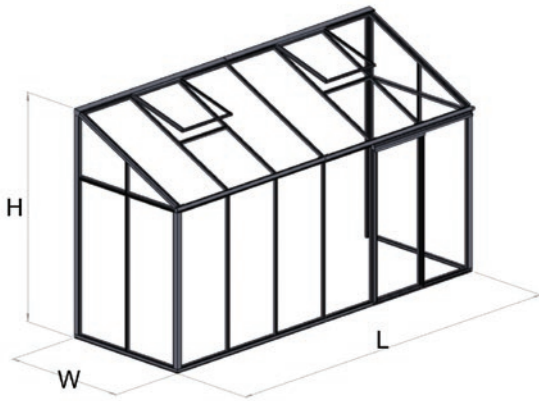


# ASSEMBLY INSTRUCTIONS

Important: Read the entire instruction before starting the assembly. Strictly follow all the instructions provided in this manual and carry out all of the stages of the installation process in the specified order. Failure to comply with these rules may lead to incorrect fitting of the decorative laths and the occurrence of visual defects. The warranty certificate is void if it is found that damage has been caused by incorrect installation. The base on which the product is to be installed must be flat and without significant differences in level. The product must be attached to the base. Note: Use lube for all screws to prevent them from breaking. Make sure that the greenhouse pallet cannot tip over and cause accidents. Make sure that the ground where you put the pallet is in level. Installing two ground spikes to the pallet will prevent it from tipping. Do not remove all the wooden rules inside the pallet. Only remove the ones that are necessary to access the part you need.

Installation requires at least 2 people.

**NECESSARY TOOLS** – rubber mallet, measuring tape, spirit level, PZ2 screwdriver, wrenches 3/8 in, 1/2 in, and 11/16 in, cordless drill, 1/8 in hex key, utility knife, soap for rubber when oil is not enough, silicone gun and silicone, ladder.



Depth (in)	L (in)	H (in)	Door / Side height (in)	Area (ft <sup>2</sup> )	Roof windows
<b>63.19"</b>	92.60"	99.09"	65.71"	39.83 ft <sup>2</sup>	1
	121.97"	99.09"	65.71"	53.50 ft <sup>2</sup>	1
	151.34"	99.09"	65.71"	66.41 ft <sup>2</sup>	1
	180.71"	99.09"	65.71"	79.33 ft <sup>2</sup>	2
	210.08"	99.09"	65.71"	92.14 ft <sup>2</sup>	2
	239.45"	99.09"	65.71"	105.06 ft <sup>2</sup>	2
<b>72.83"</b>	92.60"	105.79"	92.52"	40.58 ft <sup>2</sup>	1
	121.97"	105.79"	92.52"	53.50 ft <sup>2</sup>	1
	151.34"	105.79"	92.52"	66.41 ft <sup>2</sup>	1
	180.71"	105.79"	92.52"	79.33 ft <sup>2</sup>	2
	210.08"	105.79"	92.52"	92.14 ft <sup>2</sup>	2
	240.16"	105.79"	92.52"	105.06 ft <sup>2</sup>	2
<b>92.52"</b>	92.60"	119.45"	72.44"	59.52 ft <sup>2</sup>	2
	121.97"	119.45"	72.44"	78.36 ft <sup>2</sup>	2
	151.34"	119.45"	72.44"	97.20 ft <sup>2</sup>	2
	180.71"	119.45"	72.44"	116.14 ft <sup>2</sup>	2
	210.08"	119.45"	72.44"	134.98 ft <sup>2</sup>	2
	240.16"	119.45"	72.44"	154.35 ft <sup>2</sup>	2

## WIND WARNING

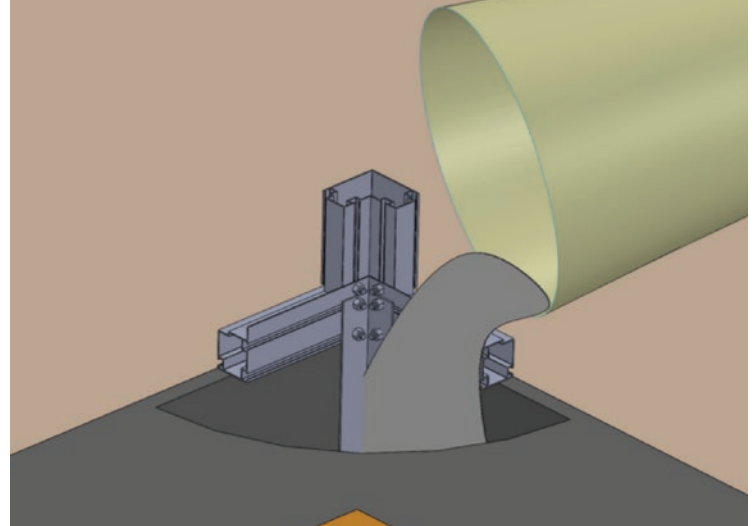
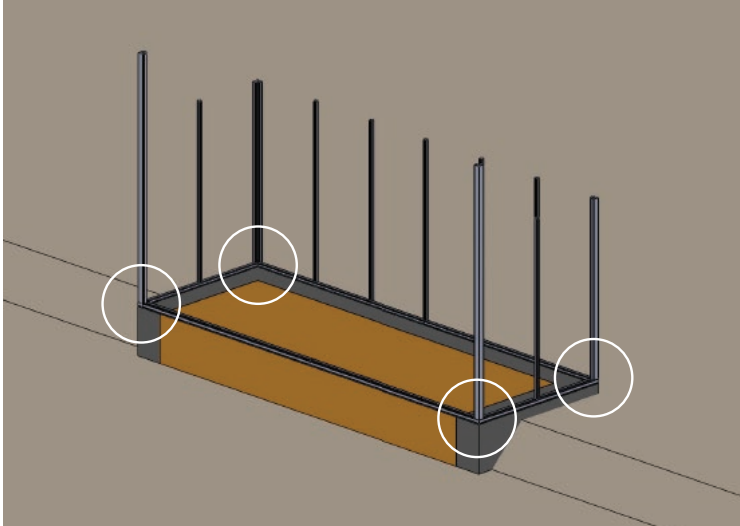
The manufacturer assumes no responsibility for damage caused by strong winds or storms. The structure must be secured according to the fastening options specified in the assembly instructions. During storms, all doors and windows must be closed.

## SNOW WARNING

Snow must be removed regularly from the roof. Excess snow load may cause structural failure. Damage caused by snow overload is not covered by warranty.

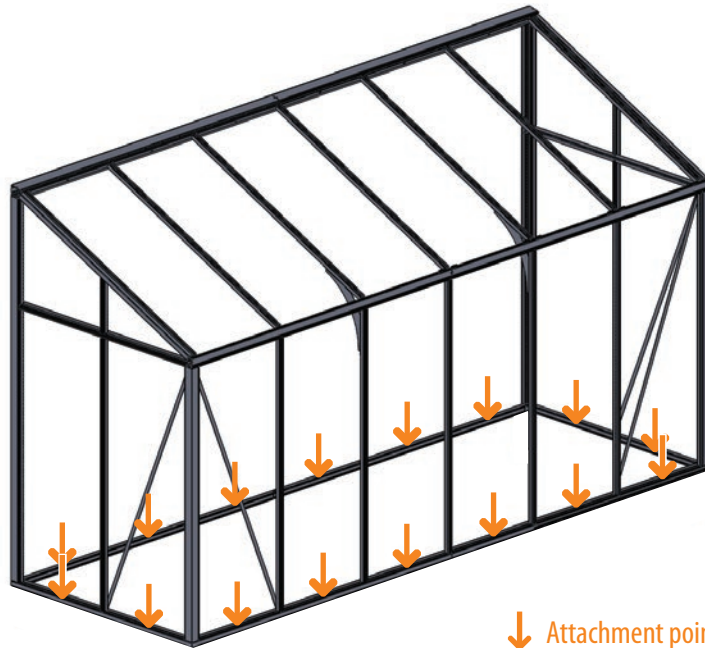
# FOUNDATION PLAN

4 corners are concreted, the base profile placed on a solid foundation



## IF CORNER REINFORCEMENTS ARE NOT USED

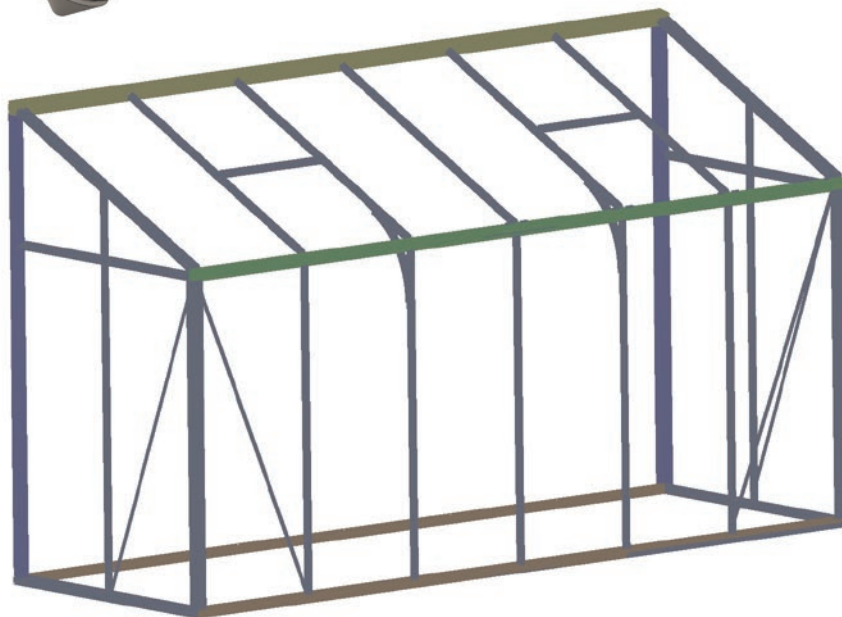
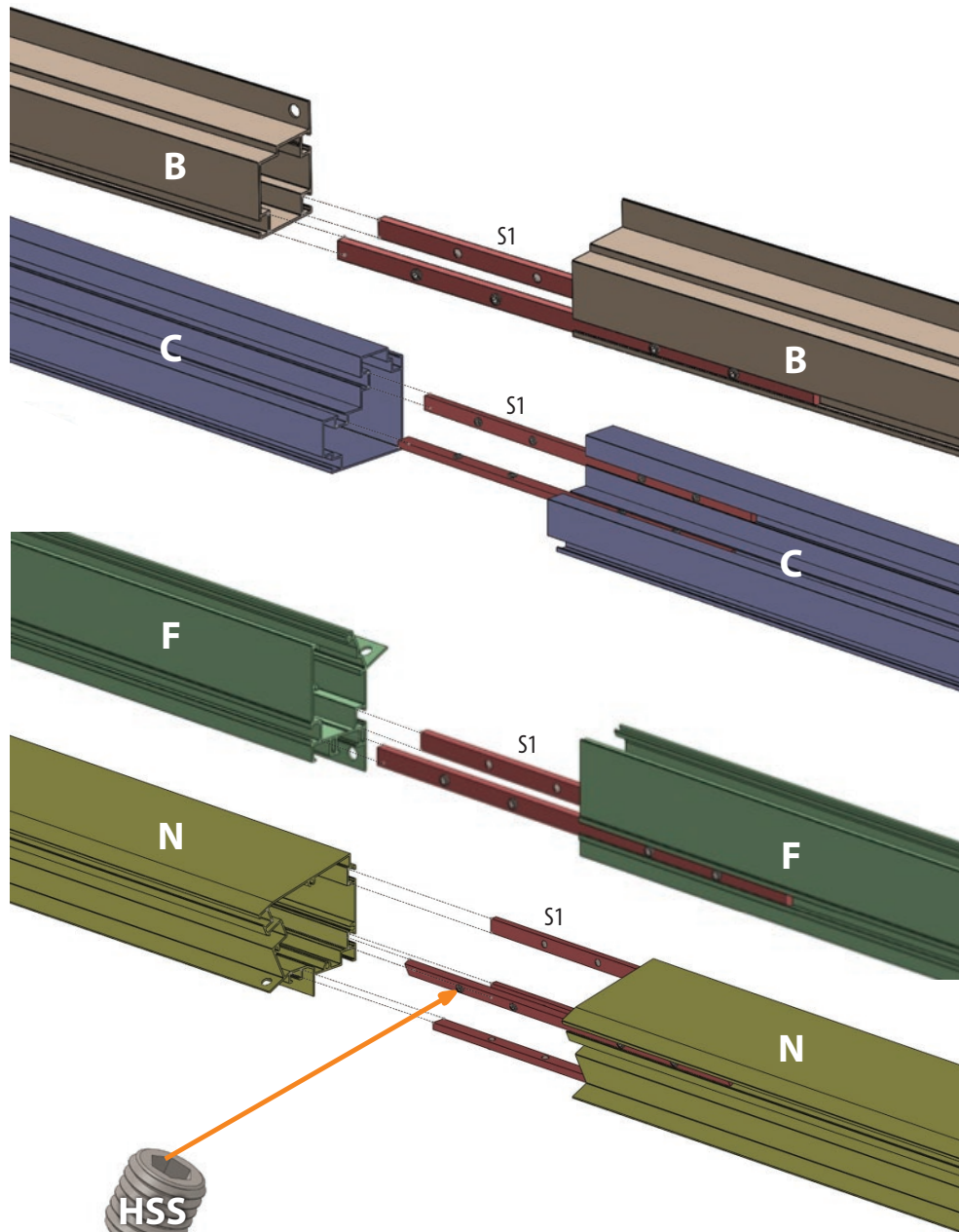
1. Drill holes in profile
2. Secure base with dowel and screw
3. Use plastic covers for holes

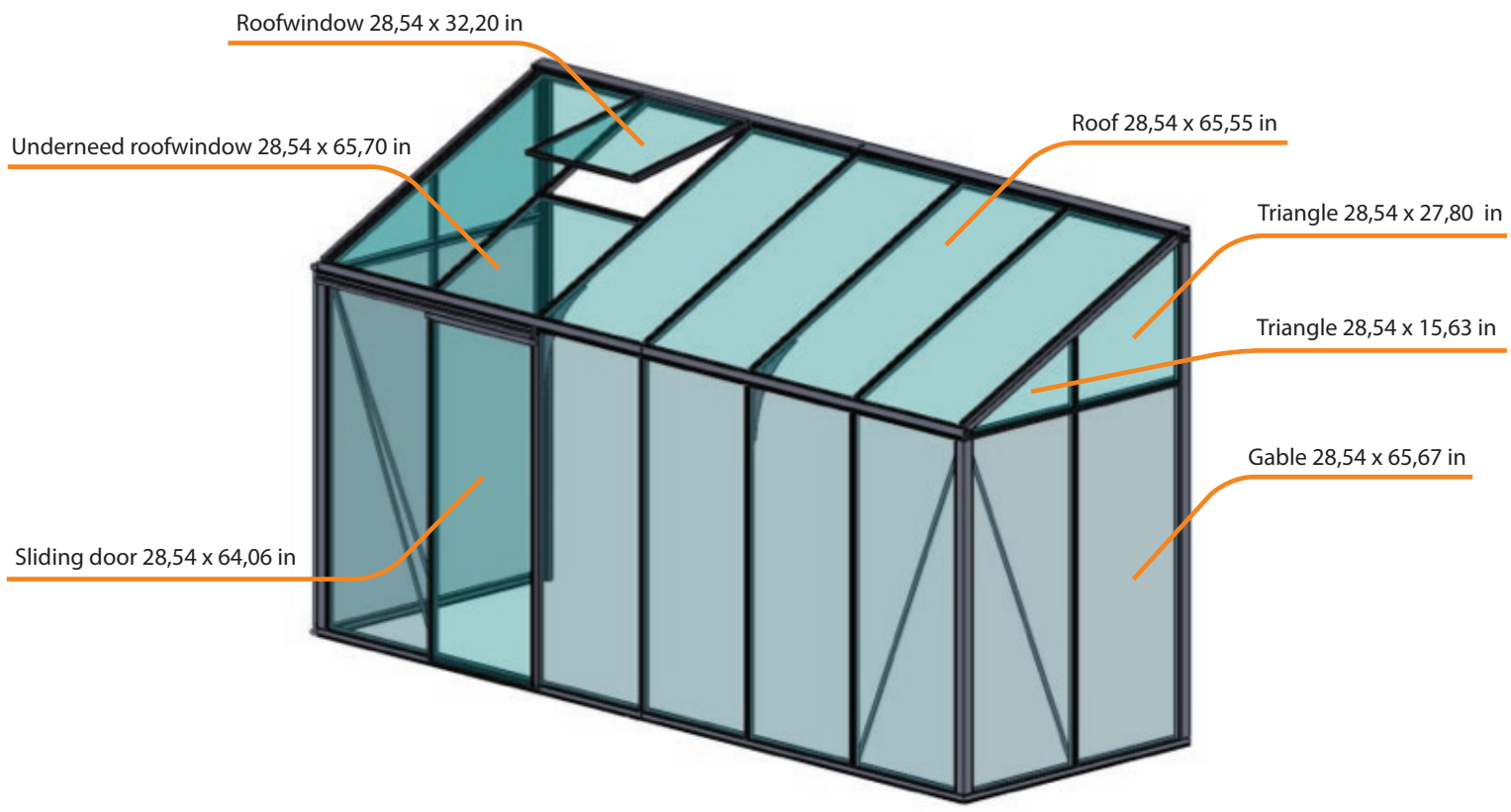
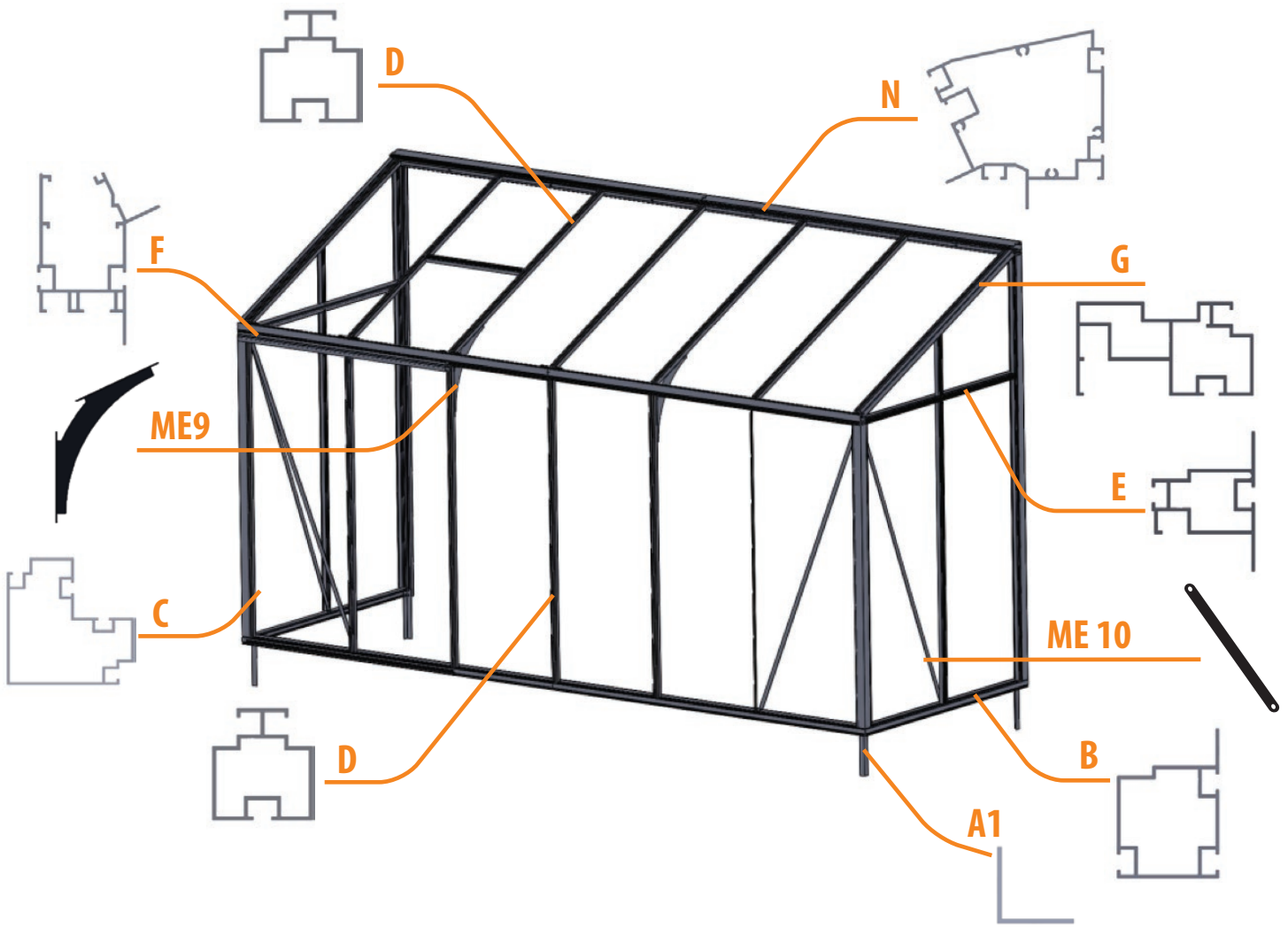


↓ Attachment points

# EXTENSIONS

Fix extension rod in place with screw



























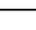





# CLASSIFICATION OF PARTS

Part description, code and size			63,23x62,23	63,23x92,60	63,23x121	63,23x151,34	63,23x180,70	63,23x210,08	63,23x239,45
		Size (inch)							
	B1	63,23	4	2	2	2	2	2	2
	B2	90			2	2	2	2	2
	B3	32			2			2	
	B5	92,6		2					
	B6	61,34				2			2
	B7	90,71					2		
	B8	88,11						2	2
		C2	65,35	4	4	4	4	4	4
C735		29	2	2	2	2	2	2	2
	D2	65,35	3	4	5	6	7	8	9
	I1	65	1	2	3	4	5	6	12
	I2	15	1	1	1	1	1	1	1
	I4	15	1	1	1	1	1	1	1
	I7	28	1	1	1	1	2	2	2
	E11	58,66	1	1	1	1	1	1	1
	E12	58,66	1	1	1	1	1	1	1
	F1	63,15	1						
	F2	92,52		1					
	F3	90			1	1	1	1	1
	F4	31,93			1			1	
	F6	61,3				1			1
	F7	90,67					1		
	F8	88,11						1	1
	G1	65	2	2	2	2	2	2	2
	N3	63,15	1						
	N6	92,52		1					
	N5	90			1	1	1	1	1
	N1	31,93			1			1	
	N2	61,3				1			1
	N6	90,67					1		
N4	88,11						1	1	
	L1	30,63	1	1	1	1	2	2	2
	L2	32,52	2	2	2	2	4	4	4
	L3	30,63	1	1	1	1	2	2	2
	M1	30,63	1	1	1	1	1	1	1
	M6	64,41	2	2	2	2	2	2	2
	M3	30,63	1	1	1	1	1	1	1
	M4	60,24	1	1	1	1	1	1	1
	M5	60,24	1	1	1	1	1	1	1
	M7	65	1	1	1	1	1	1	1
	S1	11,81	4	4	12	12	12	20	20
	ME10	71,85	0	0	4	4	4	4	4
	ME5	1.38 x 1.38	4	4	4	4	6	6	6
	ME6	2.36 x 2.36	4	4	4	4	6	6	6
	ME7	23,5	1	1	1	1	2	2	2
	ME8	2	4	6	8	10	12	14	16
	ME9 one part	11.81 x 11.81	0	0	1	2	2	2	3





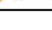



	A1	1.38 x 1.38 x 11.81	4	4	4	4	4	4	4
	A3	0,6x0,6x28	1	1	1	1	1	1	1
	A2	0.59 x 0.59 x 64.41	1 if double doors						
	S2	2.76 x 0.55 x 0.08	1 if double doors						

	Glazing rubber (ft)		115	148	165	197	213	230	262
	Brush strip (in)		130	130	130	130	130	130	130
	Down pipe bend 90° - Ø1,37 in		1	1	1	1	1	1	1
	Sliding roller		2	2	2	2	2	2	2
	Bolts 6x12		55	60	65	75	85	90	95
	Bolts 6x30		2	2	2	2	4	4	4
	Nuts 6x1		55	60	65	75	85	90	95
	Bolts, washer, 2 nuts 7x20		1	1	1	1	2	2	2
	Bolts, washer, nuts 10x20		2	2	2	2	2	2	2
	Tapping screws 4,8x25		8	8	8	8	16	16	16
	Tapping screws 4,8x19		5	5	5	5	5	5	5
	Hexagon socket screws		16	16	48	48	48	80	80
	Dowel		2	3	4	5	6	7	8
	Dowel screws 6x40		2	3	4	5	6	7	8
	Nut caps		55	60	65	75	85	90	95
	Gutter end incl. downpipe		1	1	1	1	1	1	1
	Gutter end		1	1	1	1	1	1	1
	Ridge end 1		1	1	1	1	1	1	1
	Ridge end 2		1	1	1	1	1	1	1
	Railends (L) sliding door		1	1	1	1	1	1	1
	Railends (R) sliding door		1	1	1	1	1	1	1
	PVC piece gable		2	2	2	2	2	2	2

Glass

Gable 28,54 x 65,67 inches	5	6	7	8	9	10	11
Sliding door 28,54 x 64,06 inches	1	1	1	1	1	1	1
Roof 28,54 x 65,55 inches	1	2	3	4	4	5	6
Roof window / Underneath RW 28,54 x 32,20 inches	2	2	2	2	4	4	4
Triangle 28,54 x 15,63 inches	2	2	2	2	2	2	2
Triangle 28,54 x 27,80 inches	2	2	2	2	2	2	2





Accoya decors












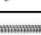







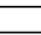

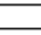
	B NR2	1,8x0,8x0,9	9	9	18	18	18	18	18
	B NR4	3,15x1x0,4	9	9	18	18	18	18	18
	B NR5	3,15x0,4x0,4	18	18	36	36	36	36	36
	ACCS	1,38x0,7x0,7	0	0	4	4	4	4	4
	ACCT	50,7x1,77x0,79	9	9	18	18	18	18	18
	ACCB	69,4x1,77x0,79	9	9	18	18	18	18	18
	AS	3x20	36	36	72	72	72	72	72
	ASS	5x100	0	0	4	4	4	4	4







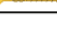



# CLASSIFICATION OF PARTS

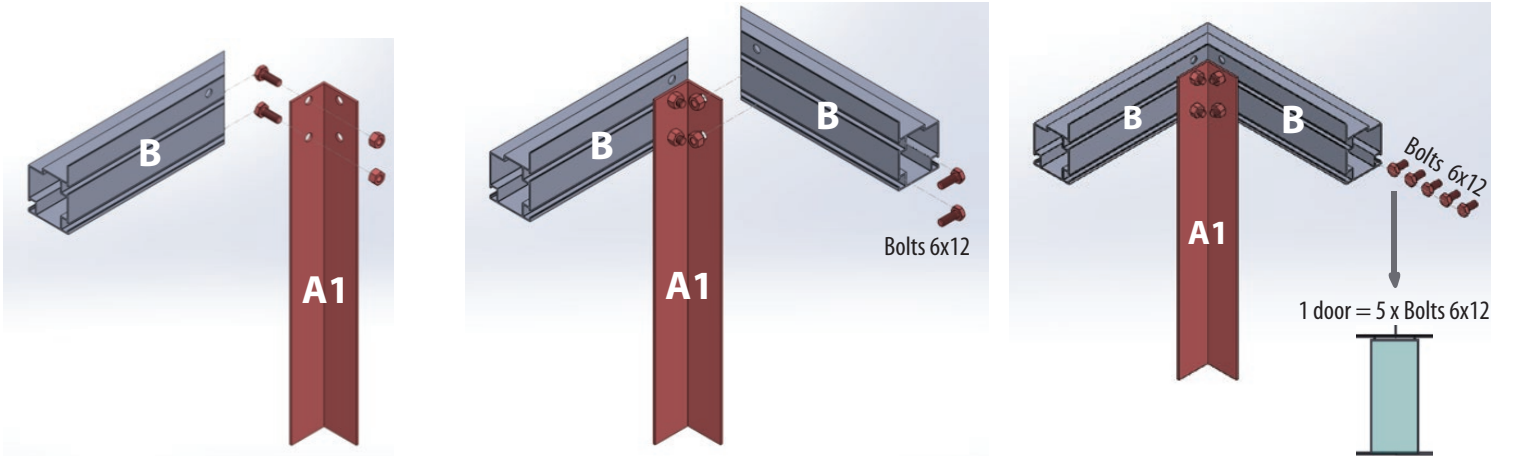
Part description, code and size			63,23x62,23	63,23x92,60	63,23x121	63,23x151,34	63,23x180,70	63,23x210,08	63,23x239,45
		Size (inch)							
	B1	63,23	4	2	2	2	2	2	2
	B2	90			2	2	2	2	2
	B3	32			2			2	
	B5	92,6		2					
	B6	61,34				2			2
	B7	90,71					2		
	B8	88,11						2	2
	C1	72	2	2	2	2	2	2	2
	C735	29	4	4	4	4	4	4	4
	D1	72	3	4	5	6	7	8	9
	I1	65	1	2	3	4	5	6	12
	I2	15	1	1	1	1	1	1	1
	I4	15	1	1	1	1	1	1	1
	I7	28	1	1	1	1	2	2	2
	E11	58,66	1	1	1	1	1	1	1
	E12	58,66	1	1	1	1	1	1	1
	F1	63,15	1						
	F2	92,52		1					
	F3	90			1	1	1	1	1
	F4	31,93			1			1	
	F6	61,3				1			1
	F7	90,67					1		
	F8	88,11						1	1
	G1	65	2	2	2	2	2	2	2
	N3	63,15	1						
	N6	92,52		1					
	N5	90			1	1	1	1	1
	N1	31,93			1			1	
	N2	61,3				1			1
	N6	90,67					1		
	N4	88,11						1	1
	L1	30,63	1	1	1	1	2	2	2
	L2	32,52	2	2	2	2	4	4	4
	L3	30,63	1	1	1	1	2	2	2
	M1	30,63	1	1	1	1	1	1	1
	M6	71,1	2	2	2	2	2	2	2
	M3	30,63	1	1	1	1	1	1	1
	M4	60,24	1	1	1	1	1	1	1
	M5	60,24	1	1	1	1	1	1	1
	M7	65	1	1	1	1	1	1	1
	S1	11,81	0	0	12	12	12	20	20
	ME2	78	4	4	4	4	4	4	4
	ME5	1.38 x 1.38	4	4	4	4	6	6	6
	ME6	2.36 x 2.36	4	4	4	4	6	6	6
	ME7	23,5	1	1	1	1	2	2	2
	ME8	2	4	6	8	10	12	14	16
	ME9 one part	11.81 x 11.81	0	0	1	2	2	2	3

	A1	1.38 x 1.38 x 11.81	4	4	4	4	4	4	4
	A3	0,6x0,6x28	1	1	1	1	1	1	1
	A2	0.59 x 0.59 x 71.1	1 if double doors						
	S2	2.76 x 0.55 x 0.08	1 if double doors						

	Glazing rubber (ft)	115	148	164	197	213	230	262
	Brush strip (in)	130	130	130	130	130	130	130
	Down pipe bend 90° - Ø1,37 in	1	1	1	1	1	1	1
	Sliding roller	2	2	2	2	2	2	2
	Bolts 6x12	55	60	65	75	85	90	95
	Bolts 6x30	2	2	2	2	4	4	4
	Nuts 6x1	55	60	65	75	85	90	95
	Bolts, washer, 2 nuts 7x20	1	1	1	1	2	2	2
	Bolts, washer, nuts 10x20	2	2	2	2	2	2	2
	Tapping screws 4,8x25	8	8	8	8	16	16	16
	Tapping screws 4,8x19	5	5	5	5	5	5	5
	Hexagon socket screws	0	0	48	48	48	80	80
	Dowel	2	3	4	5	6	7	8
	Dowel screws 6x40	2	3	4	5	6	7	8
	Nut caps	55	60	65	75	85	90	95
	Gutter end incl. downpipe	1	1	1	1	1	1	1
	Gutter end	1	1	1	1	1	1	1
	Ridge end 1	1	1	1	1	1	1	1
	Ridge end 2	1	1	1	1	1	1	1
	Railends (L) sliding door	1	1	1	1	1	1	1
	Railends (R) sliding door	1	1	1	1	1	1	1
	PVC piece gable	2	2	2	2	2	2	2

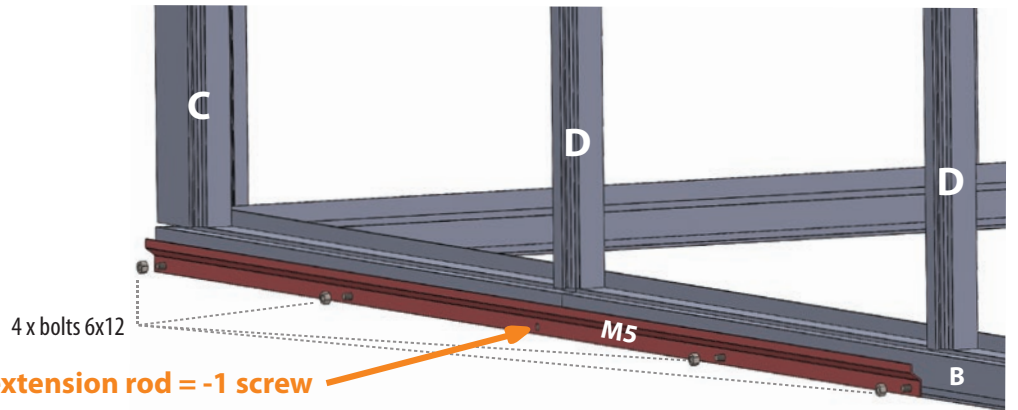
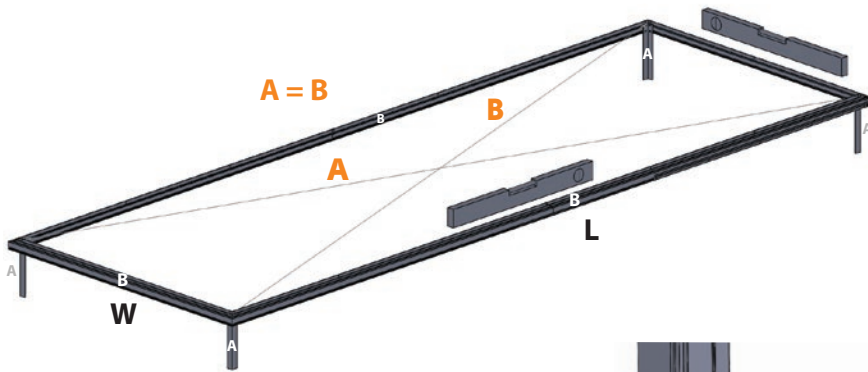
Glass								
Gable 28,54 x 65,67 inches	5	6	7	8	9	10	11	
Sliding door 28,54 x 64,06 inches	1	1	1	1	1	1	1	
Roof 28,54 x 65,55 inches	1	2	3	4	4	5	6	
Roof window / Underneath RW 28,54 x 32,20 inches	2	2	2	2	4	4	4	
Triangle 28,54 x 15,63 inches	2	2	2	2	2	2	2	
Triangle 28,54 x 27,80 inches	2	2	2	2	2	2	2	

Accoya decors								
	B NR2	1,8x0,8x0,9	9	9	18	18	18	18
	B NR4	3,15x1x0,4	9	9	18	18	18	18
	B NR5	3,15x0,4x0,4	18	18	36	36	36	36
	ACCS	1,38x0,7x0,7	0	0	4	4	4	4
	ACCT	50,7x1,77x0,79	9	9	18	18	18	18
	ACCB	69,4x1,77x0,79	9	9	18	18	18	18
	AS	3x20	36	36	72	72	72	72
	ASS	5x100	0	0	4	4	4	4

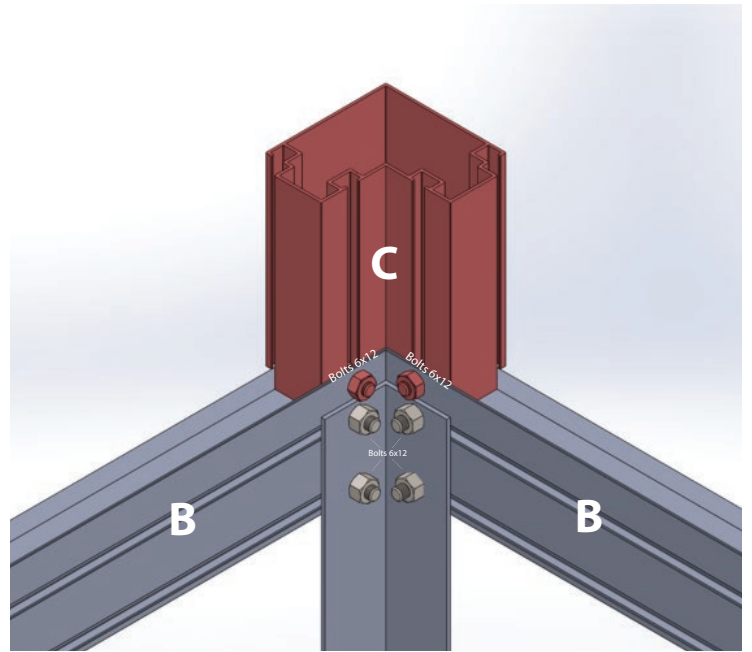
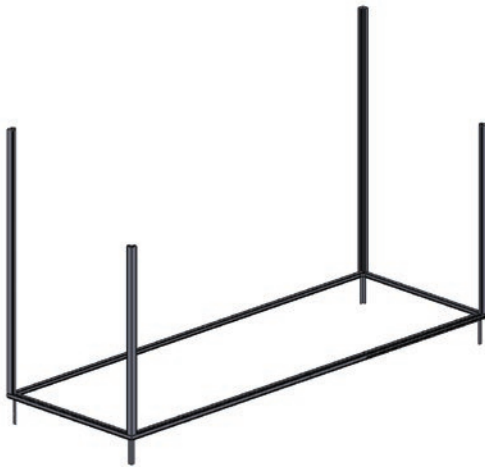
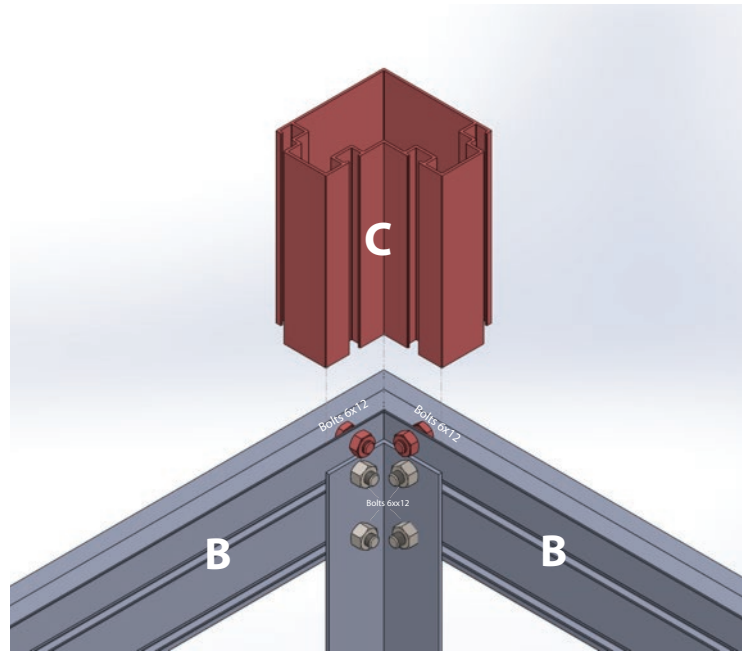
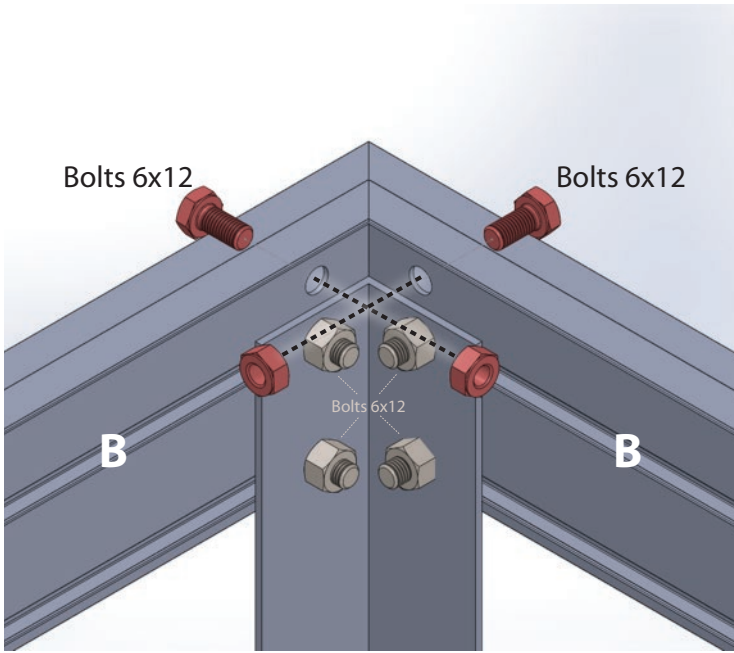


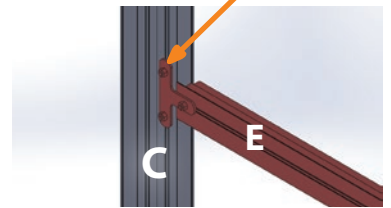
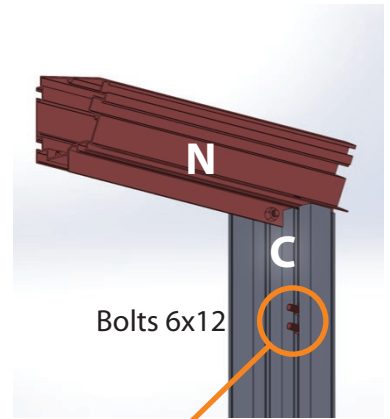
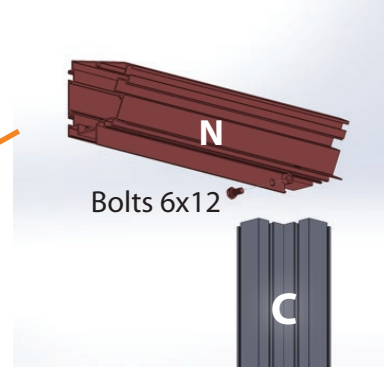
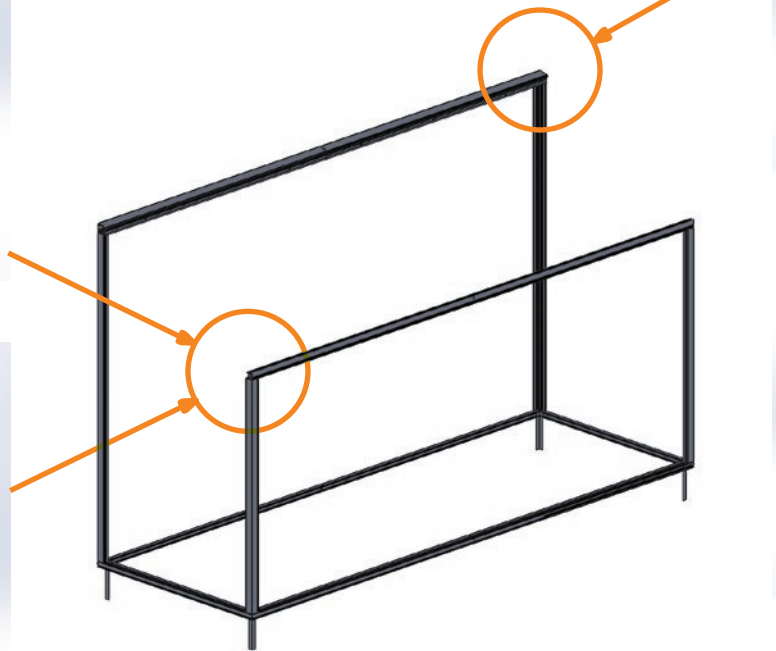
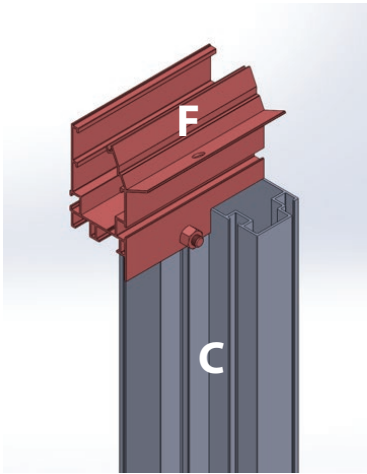
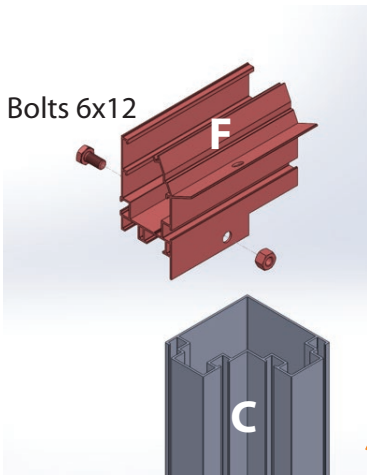
1 door = 5 x Bolts 6x12

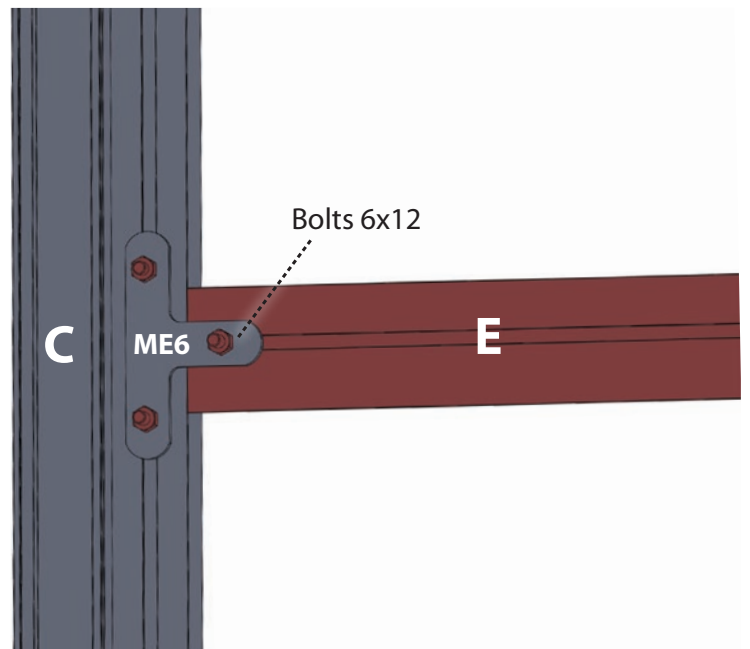
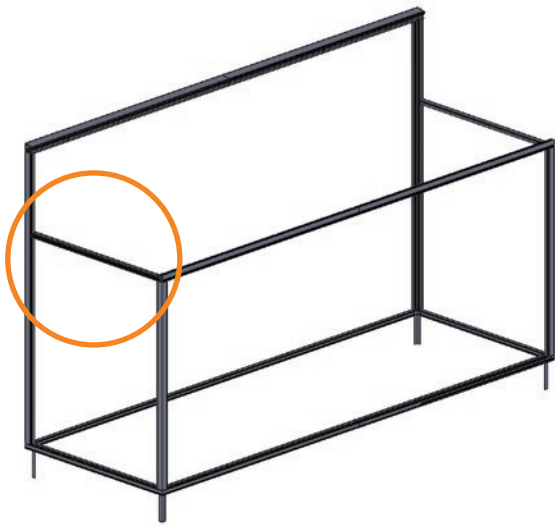
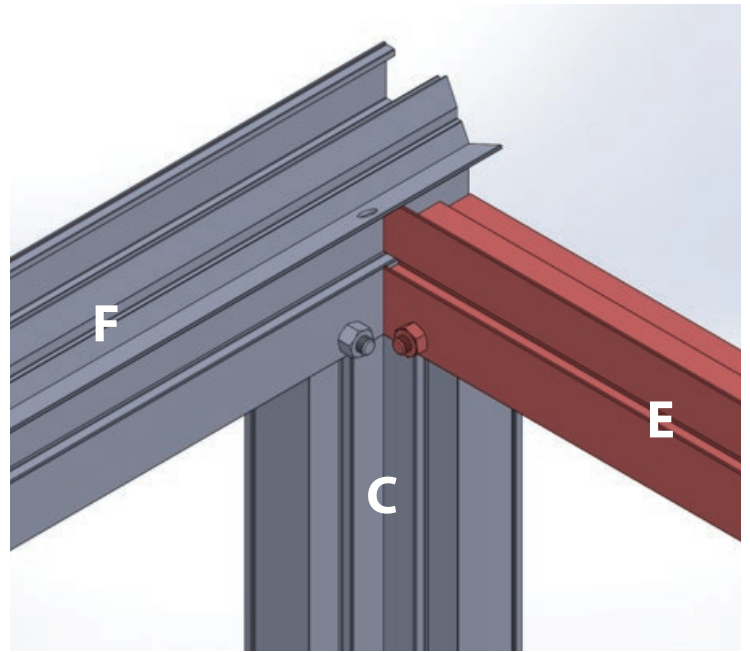
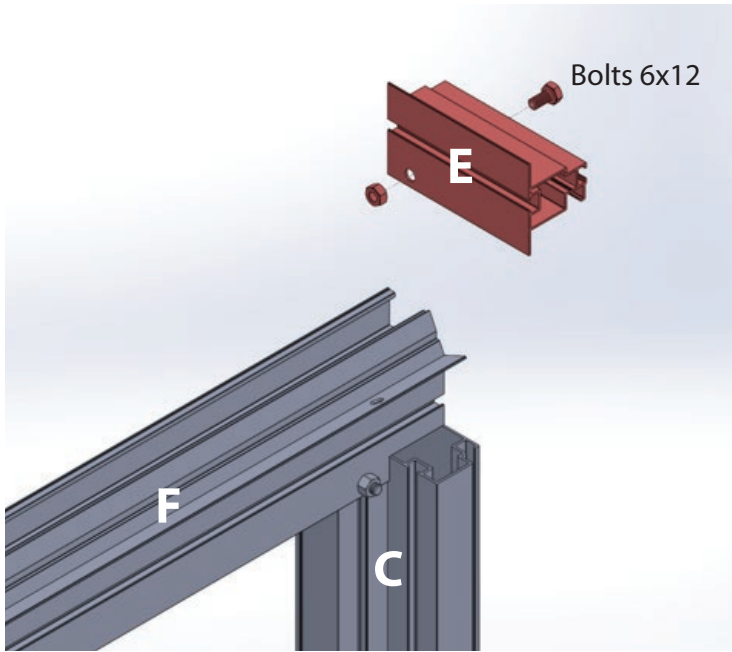
2 doors = 10 x Bolts 6x12

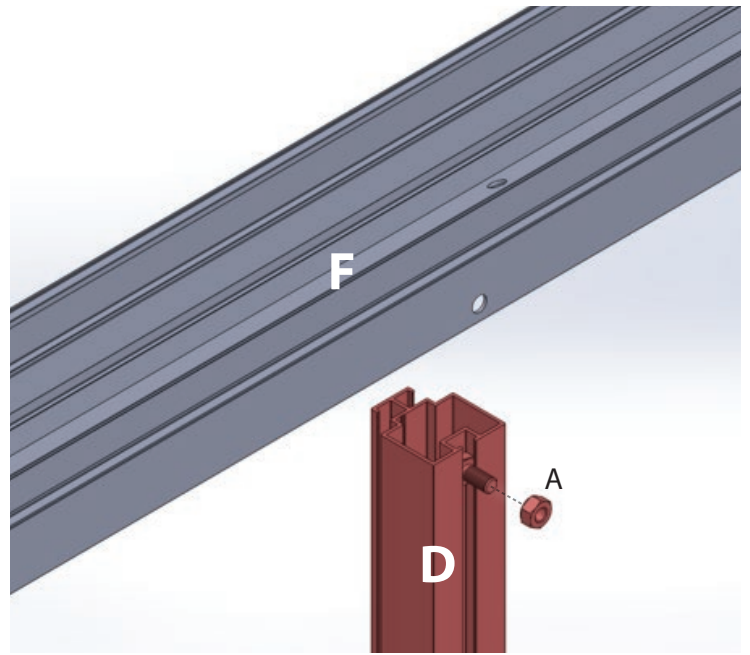
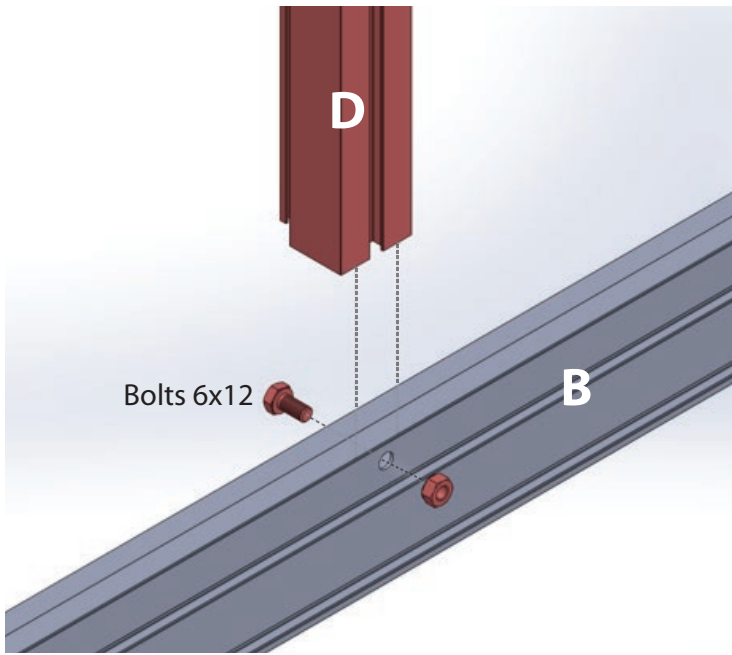


If in conflict with extension rod = -1 screw

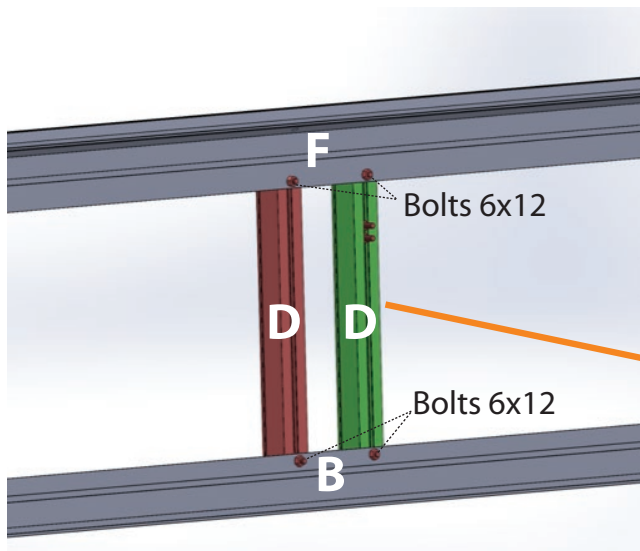
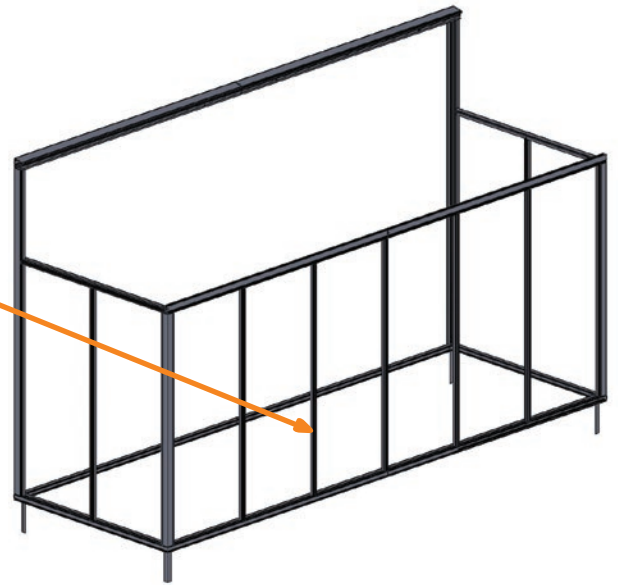




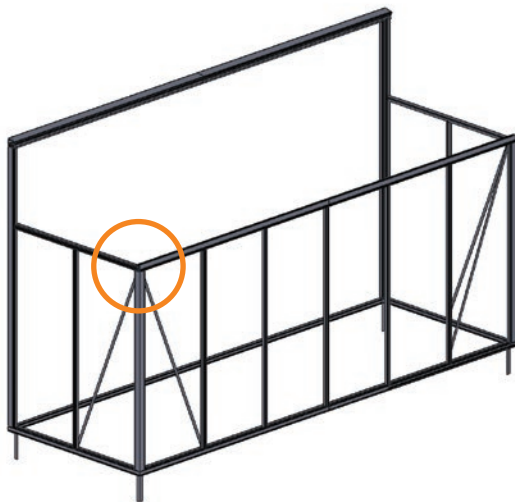
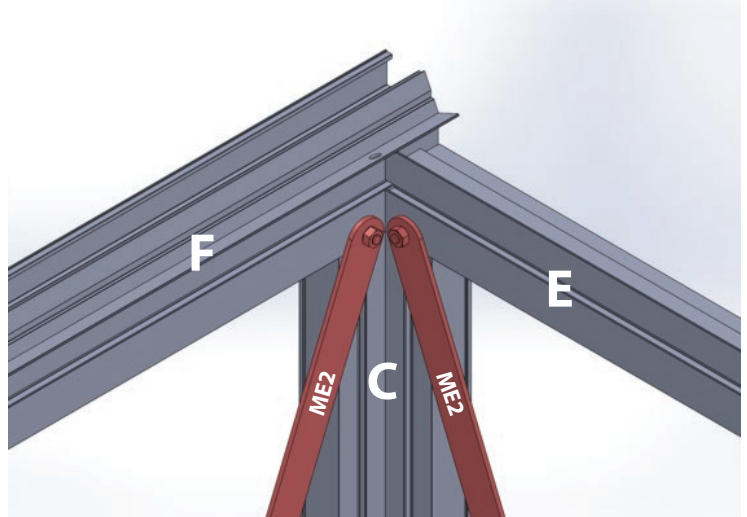
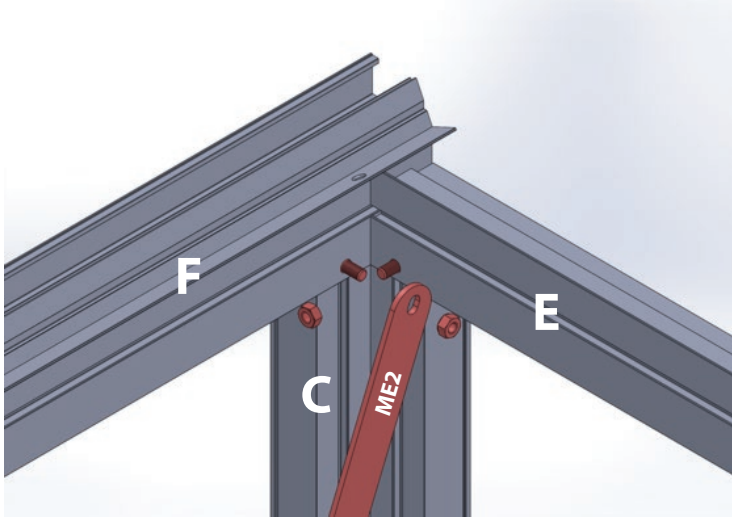
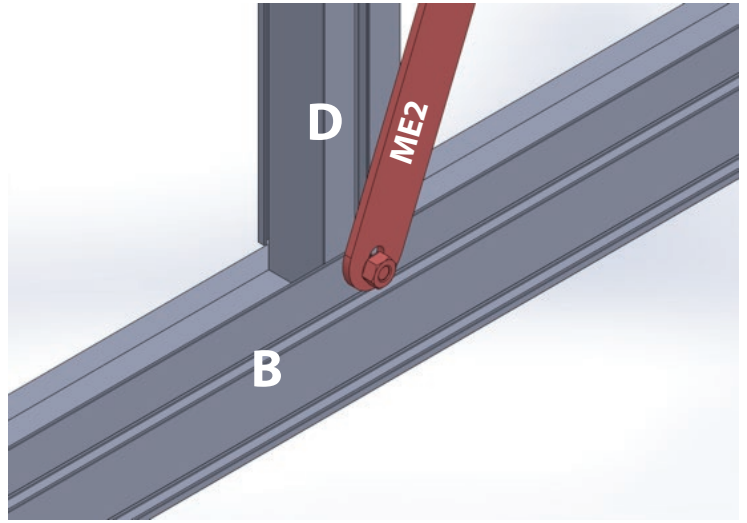
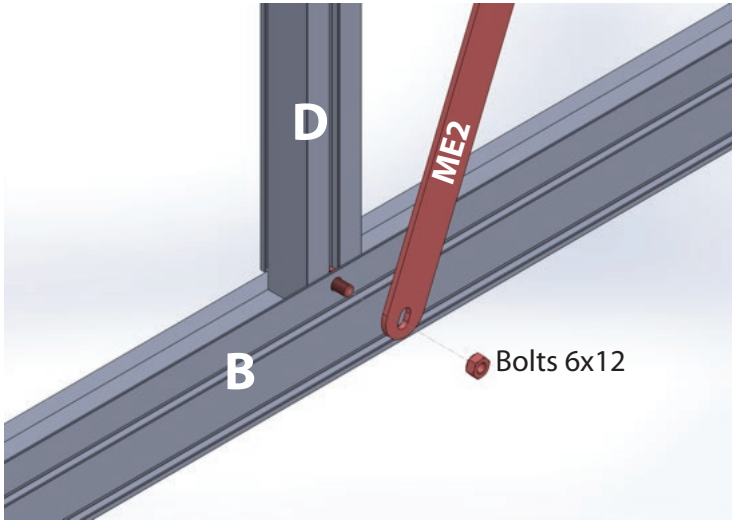




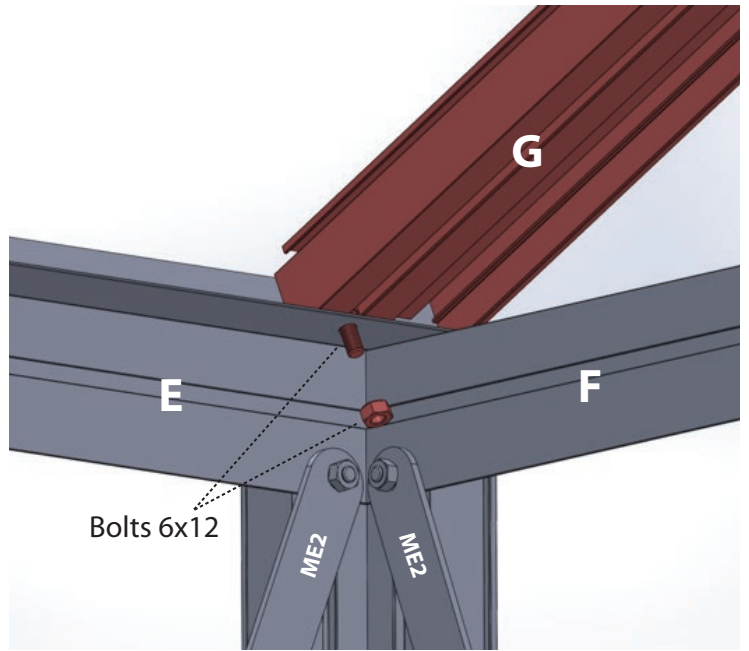
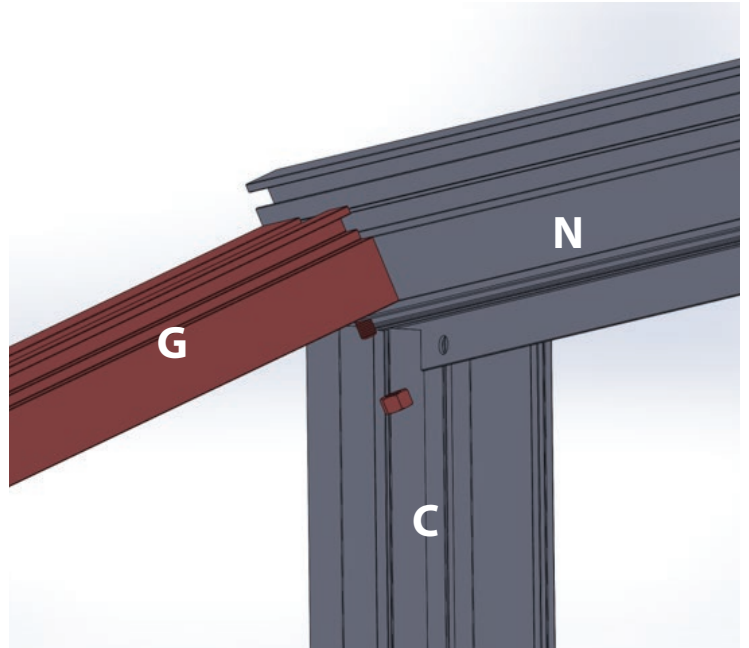
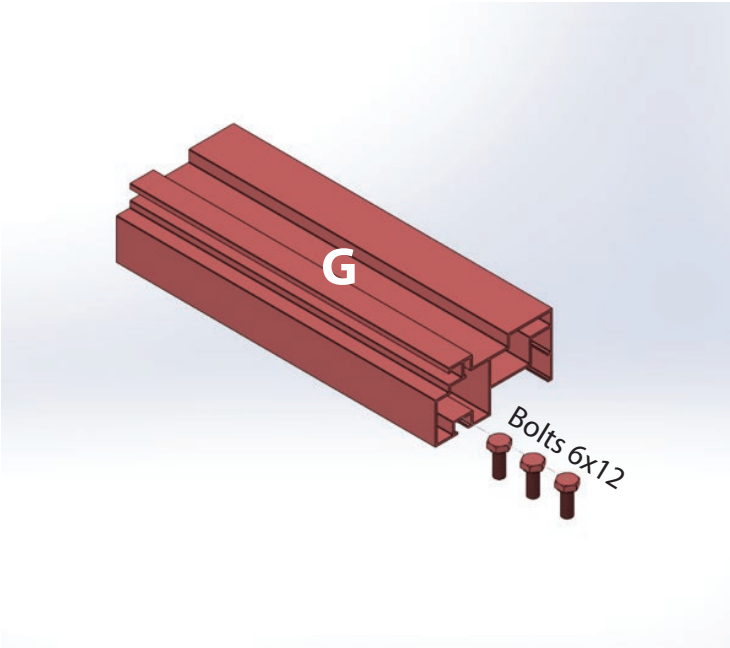
**Middle profile NOT installed if double doors.  
Doors can be installed on short and long side.**

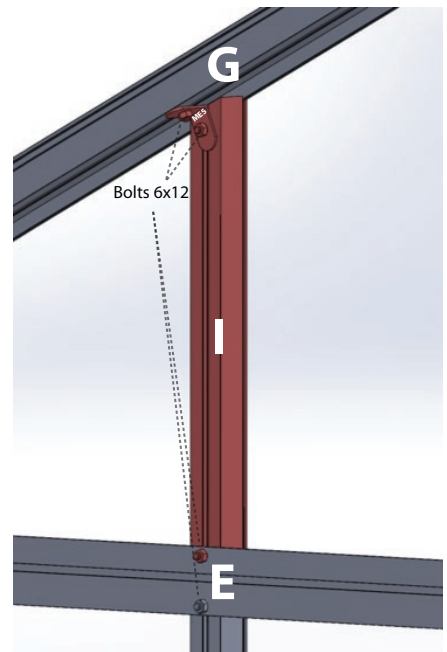
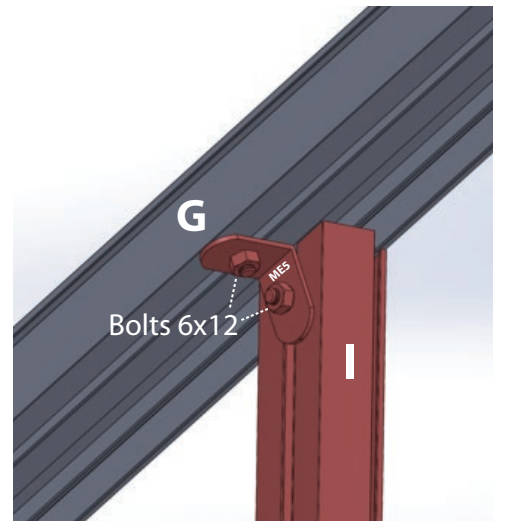
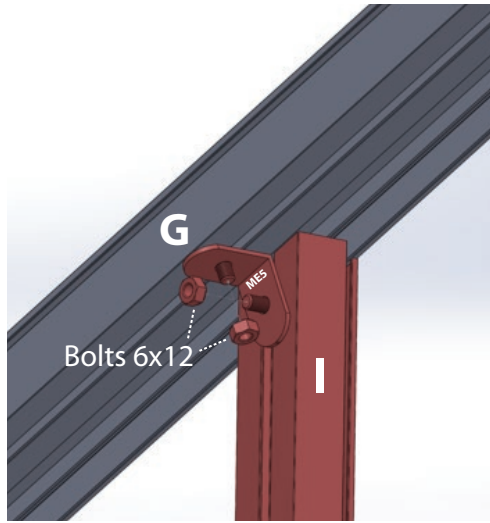
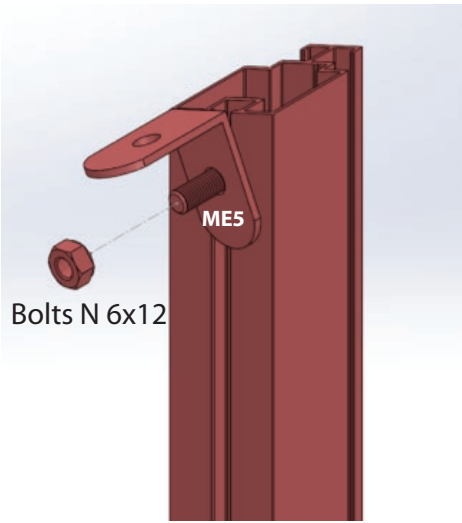


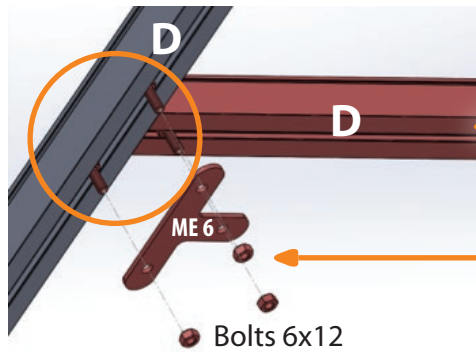
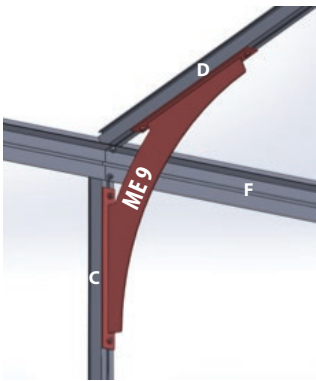
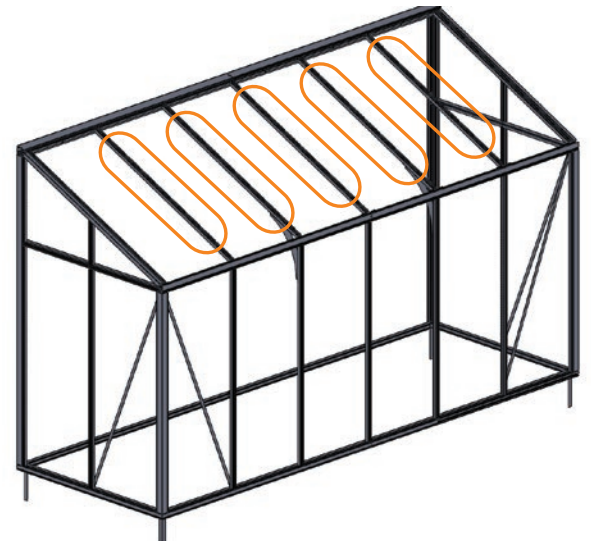
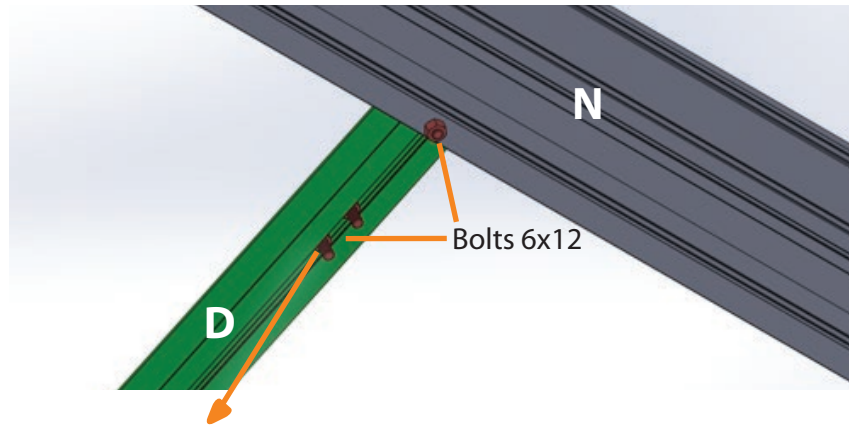
**Step 11**



ME10 ← W=92.56"  
ME2 ← W=122.01"

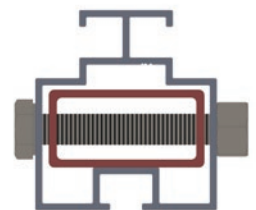
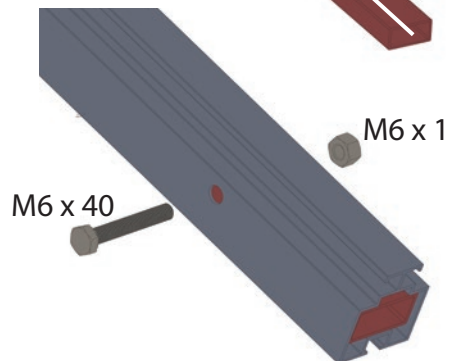
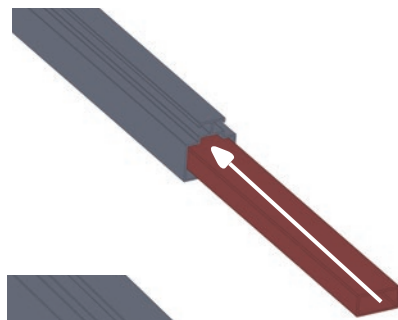
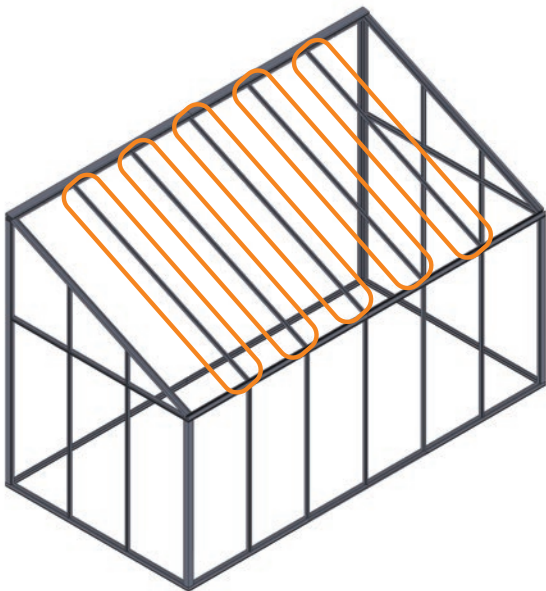




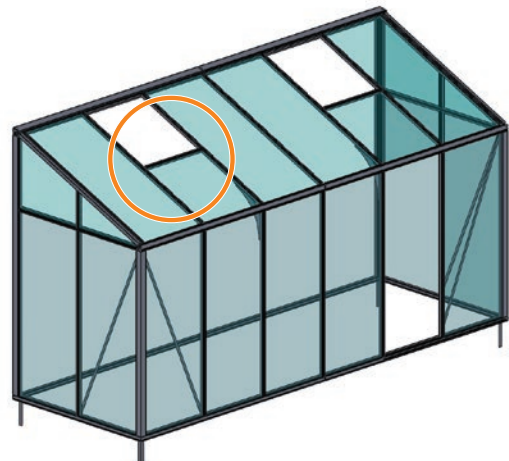
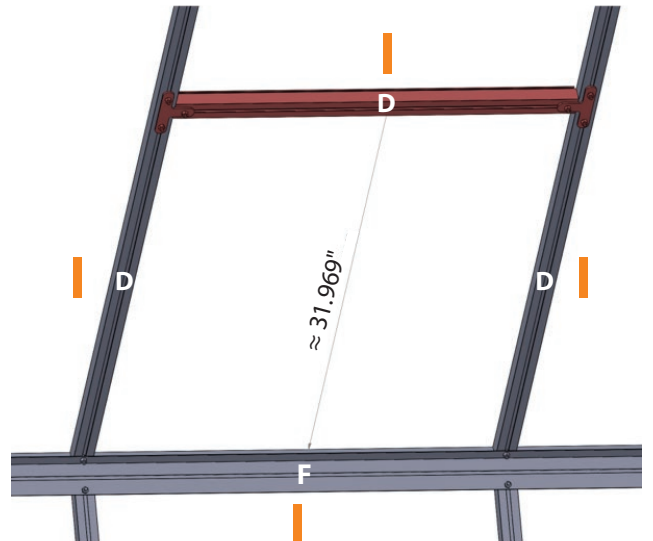
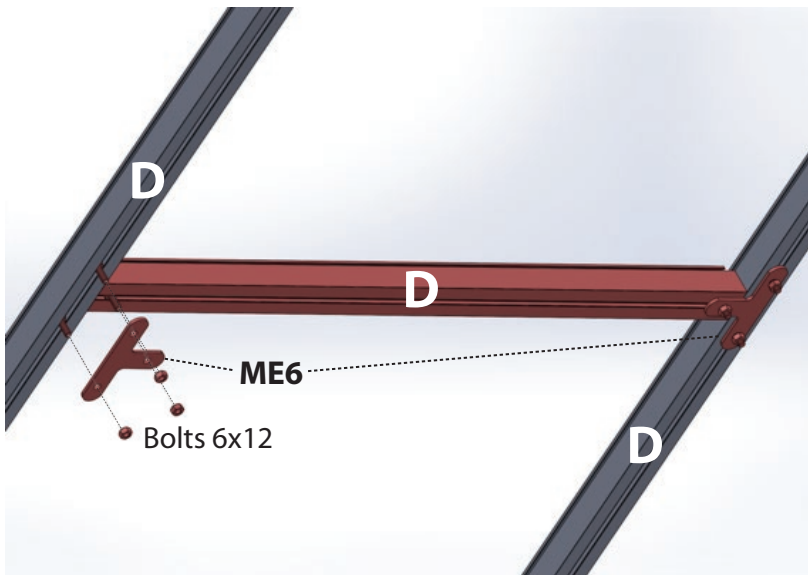
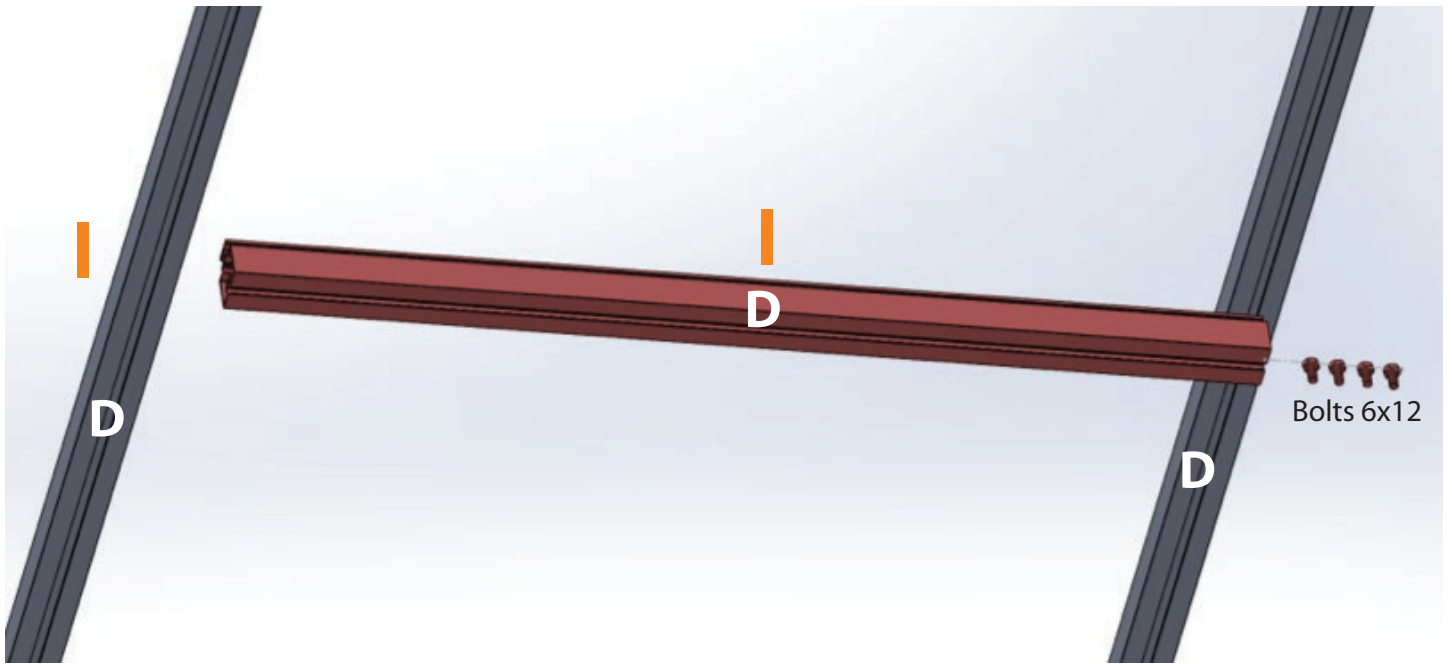


Step 10

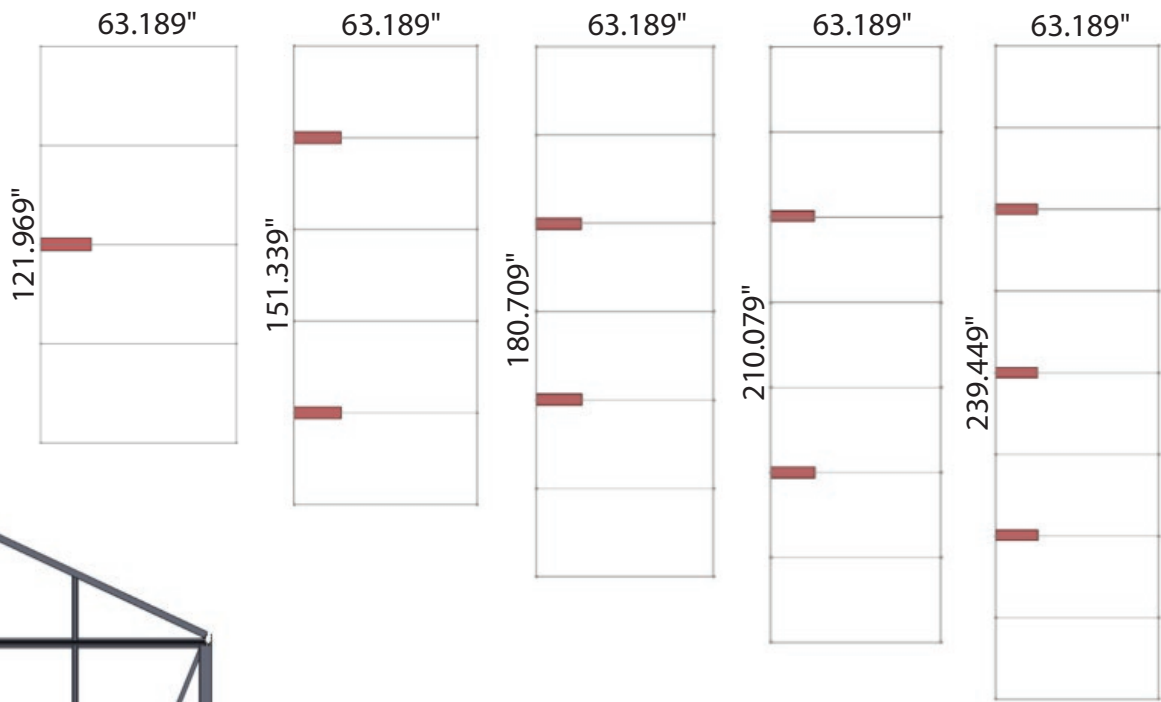
+2x M6x12 for window



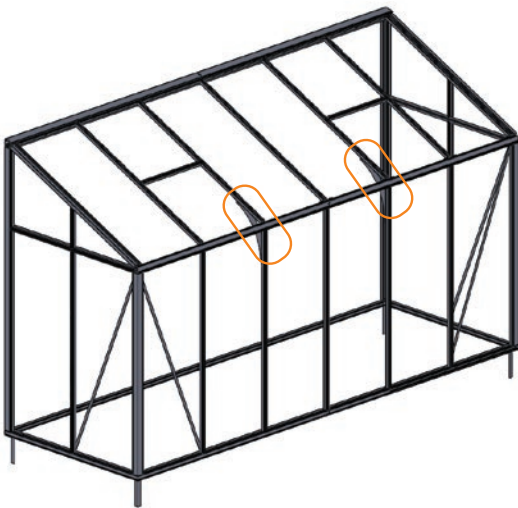
- For W92 5/8" Lean-To:**
1. Insert 5/8" x 1 3/16" tube
  2. Drill M7 holes
  3. Secure with bolts and nuts



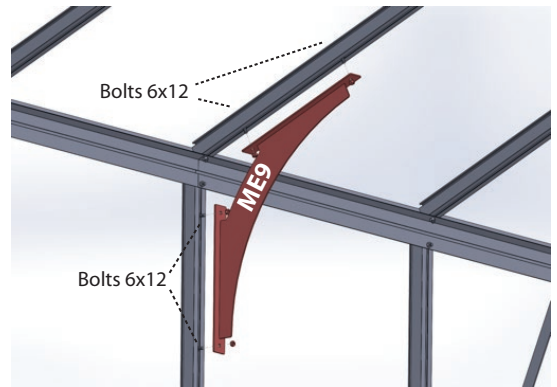
### ME9 placement (use ME9 in each section for the H3034 house)



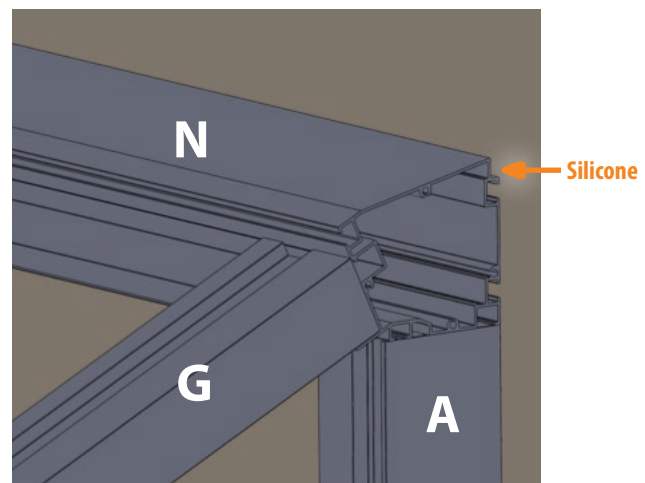
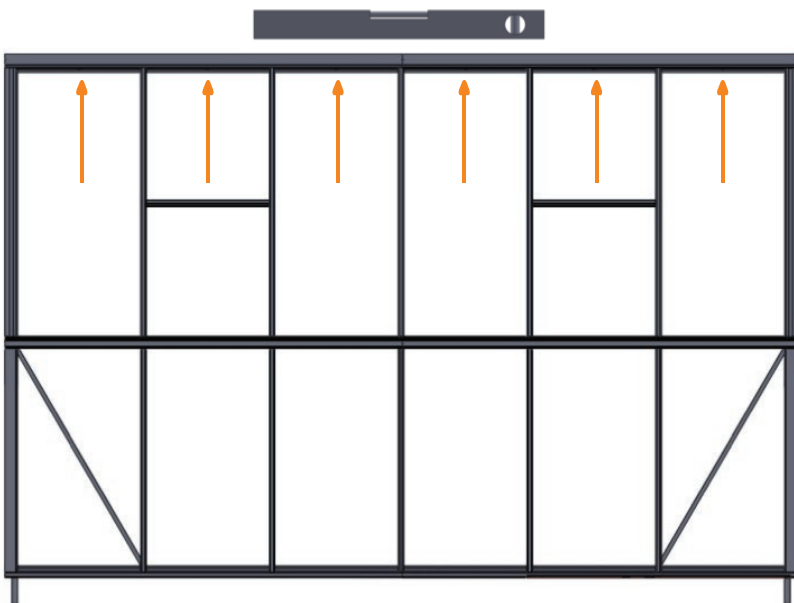
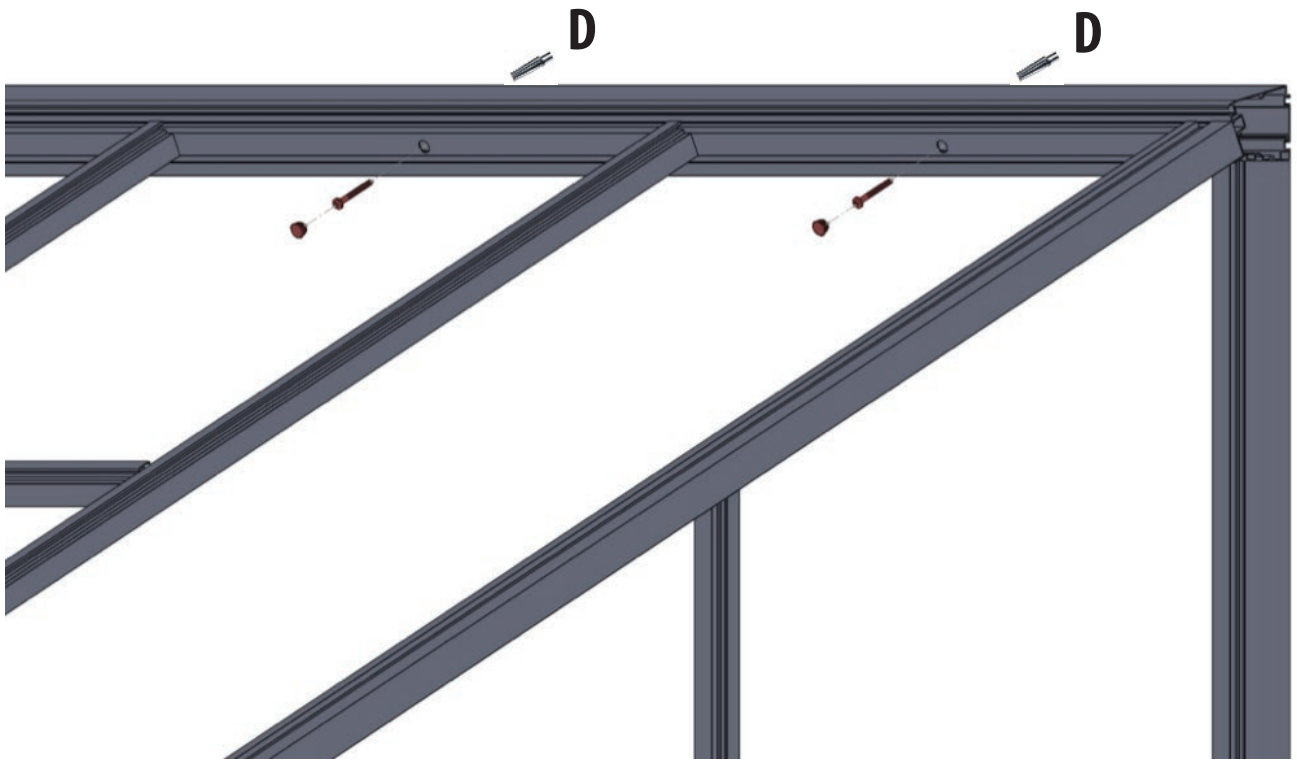
1. Push ridge from inside up by 0.591"
2. Fix the screws

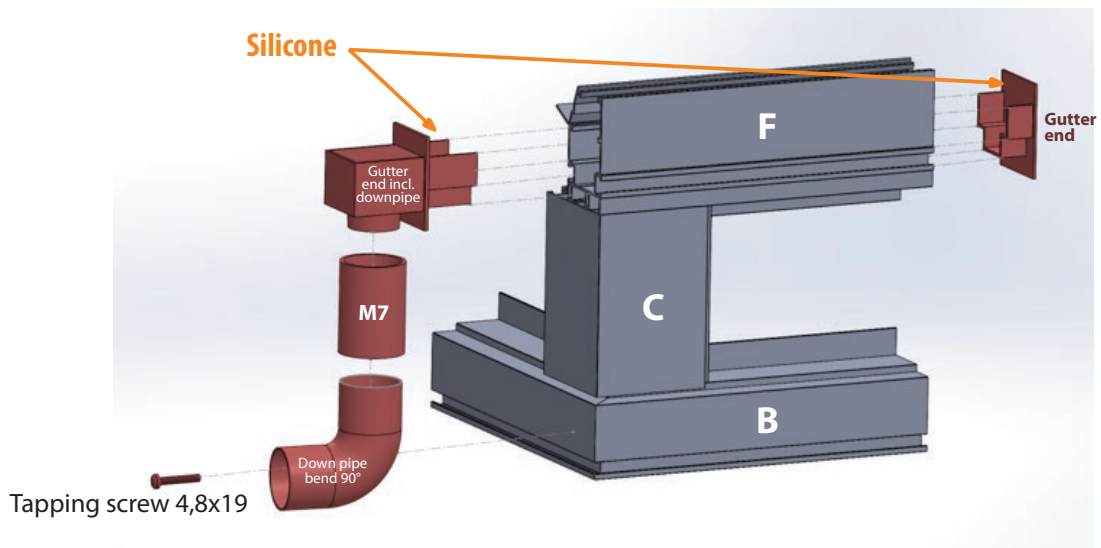
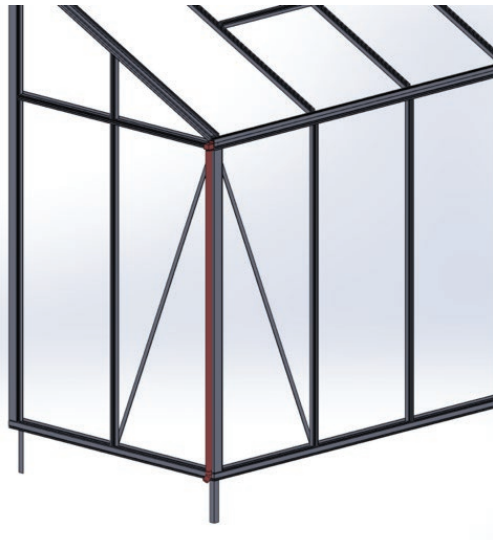
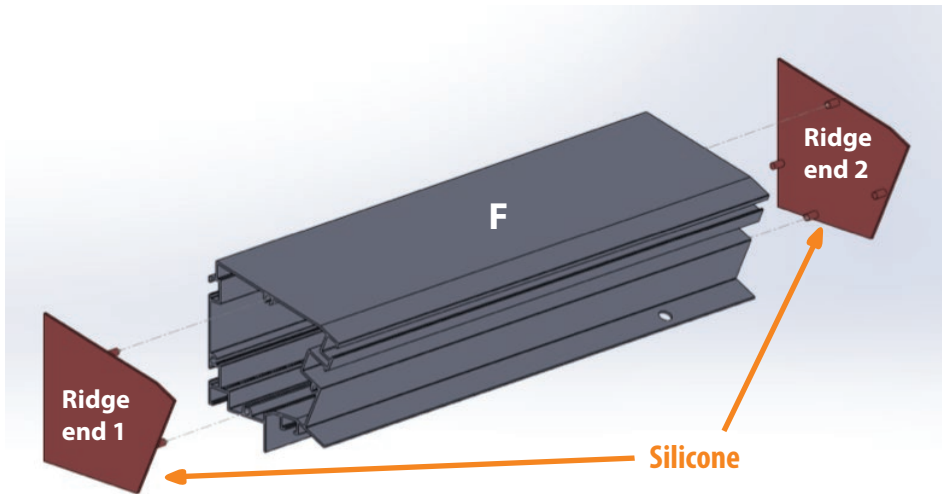


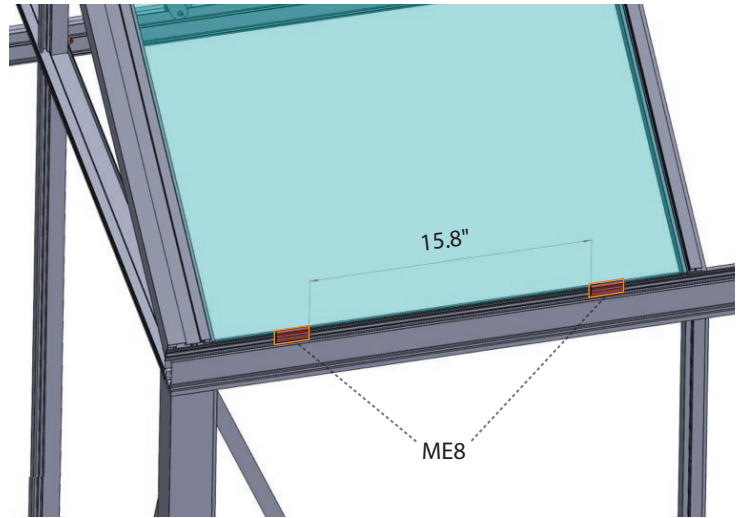
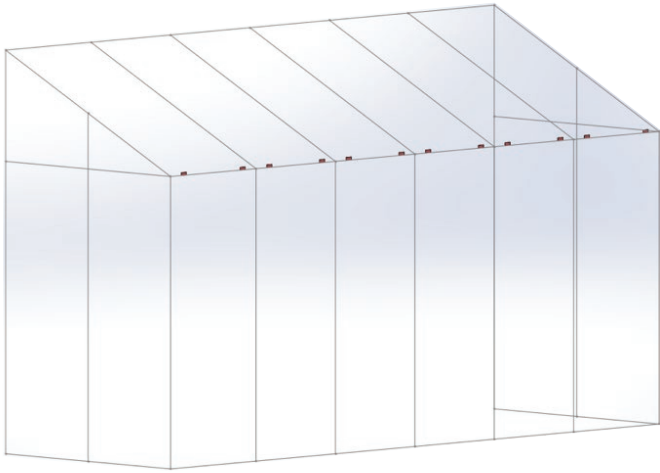
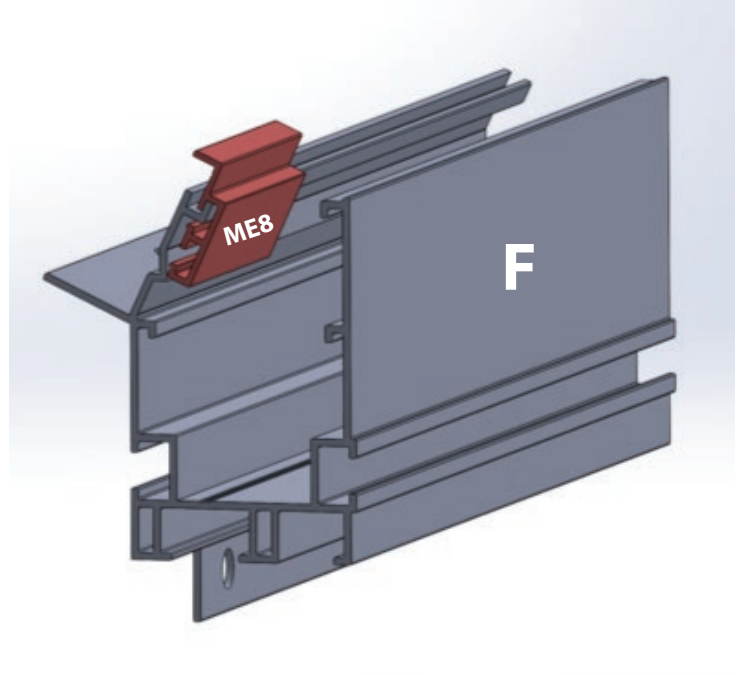
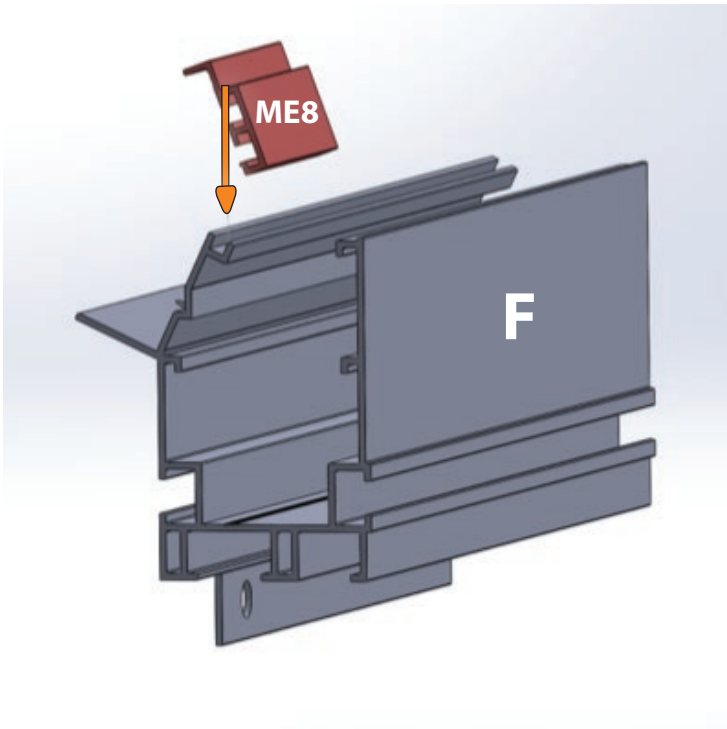
Not used for sizes L = 63.23", 92.60"

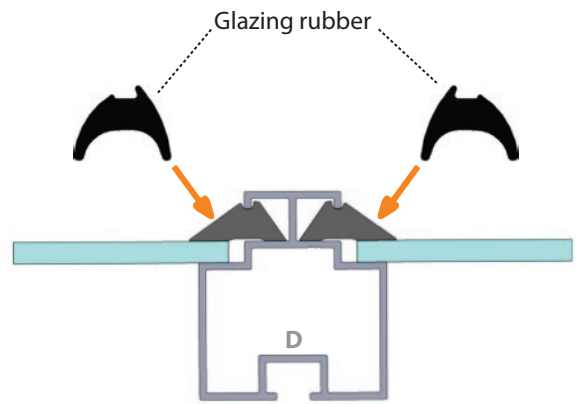
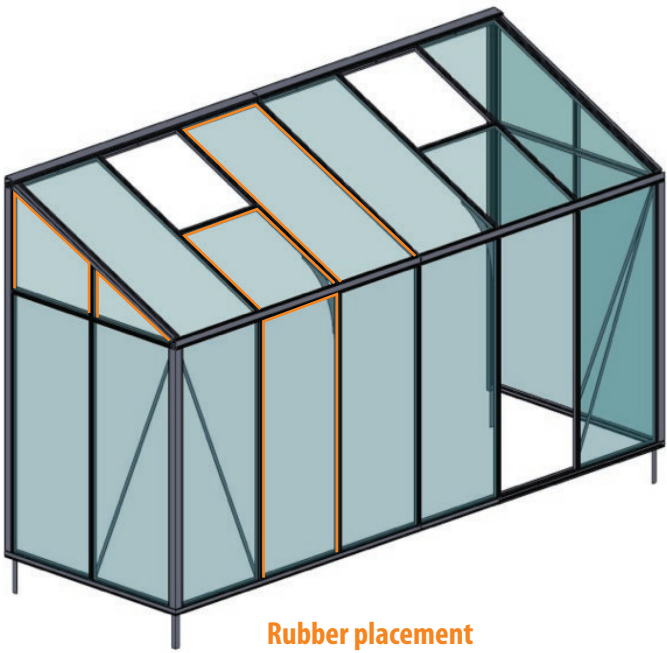
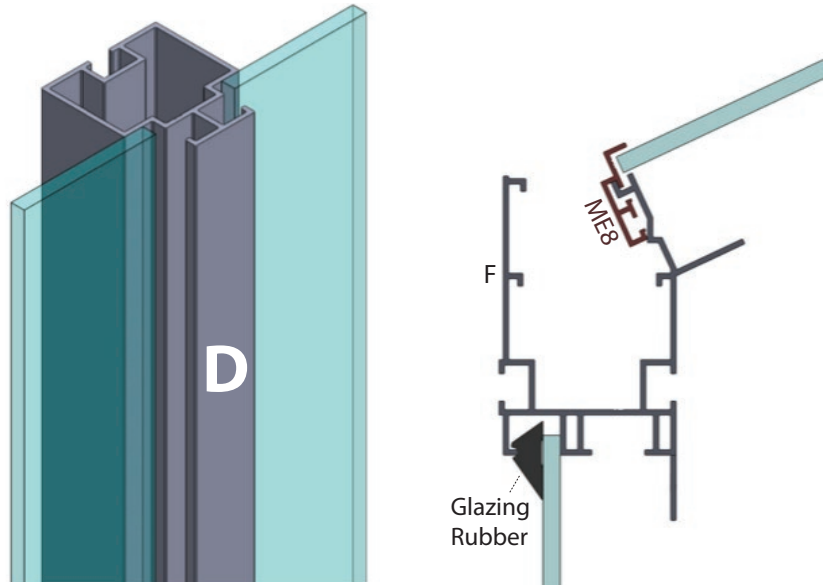


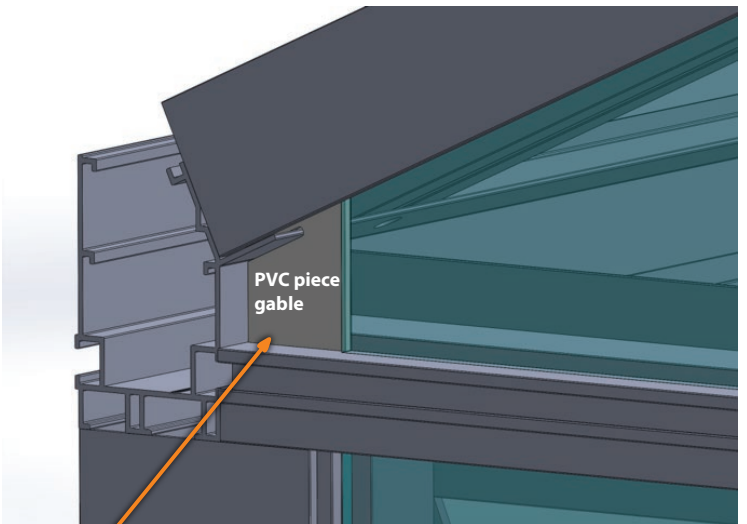
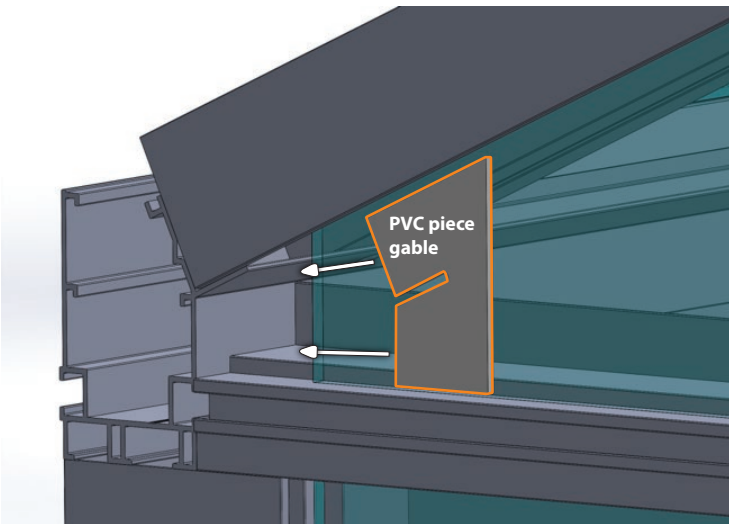
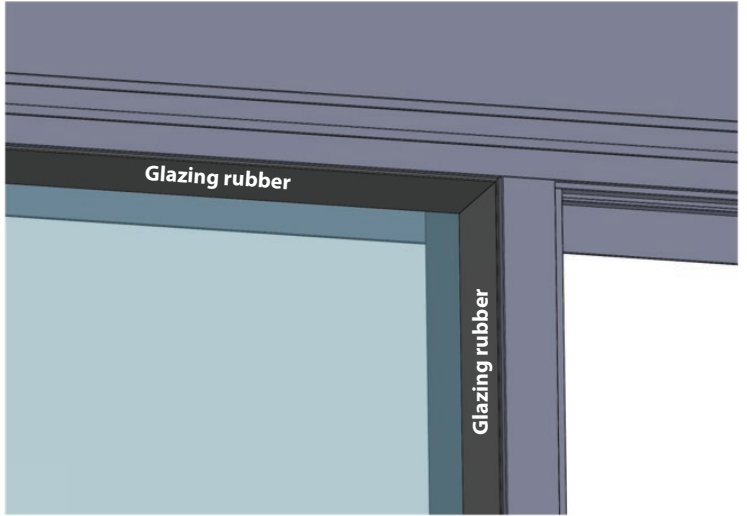
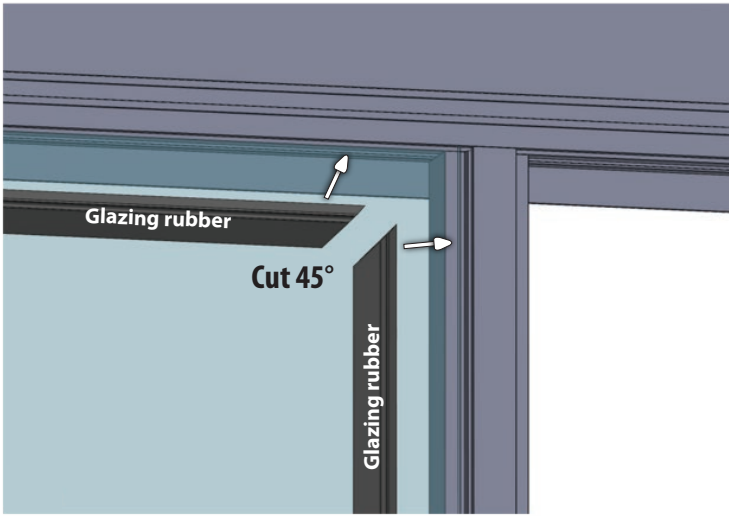
Attach to the wall with screws





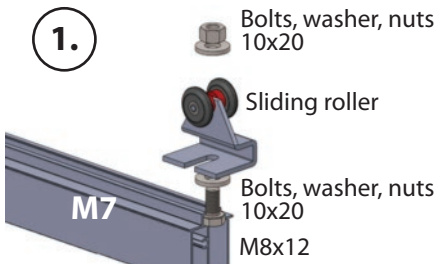






# Sliding doors

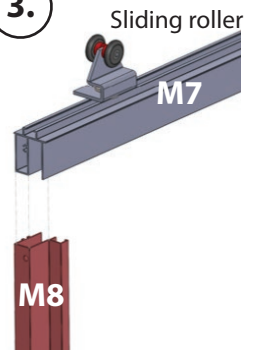
1.



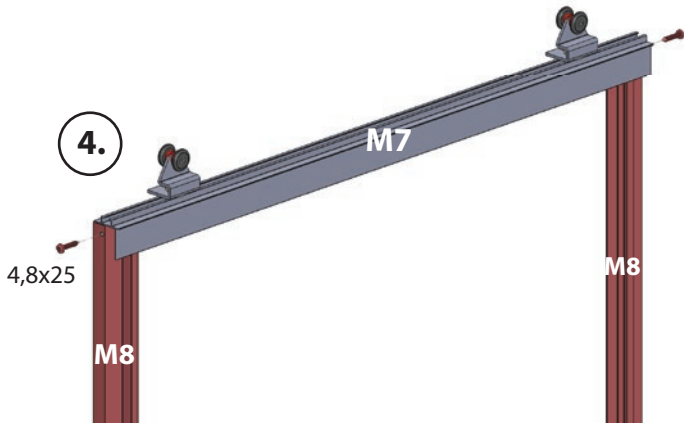
2.



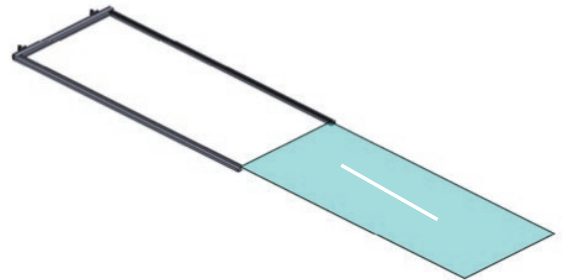
3.



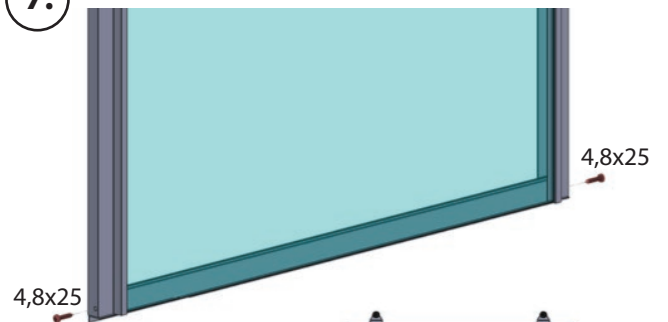
4.



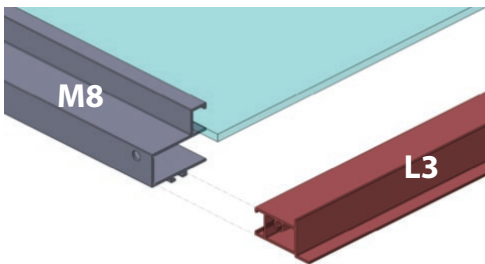
5.



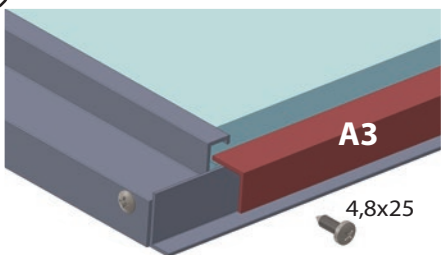
7.



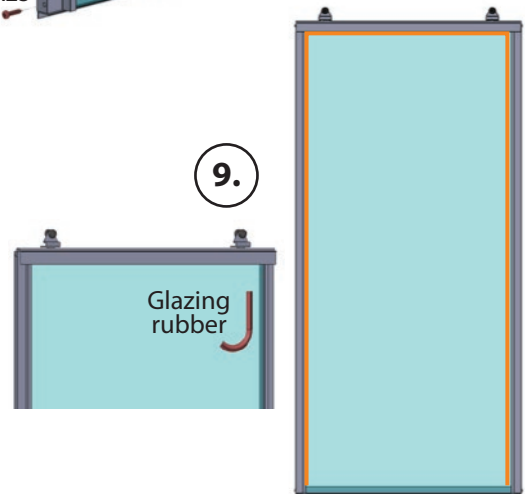
6.



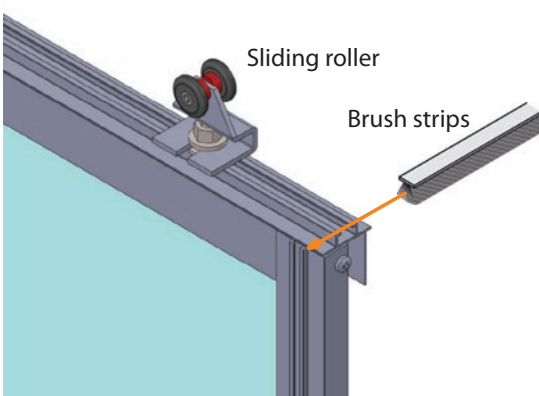
8.



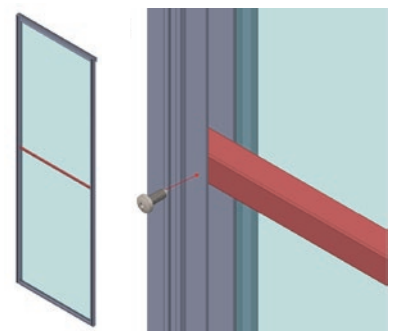
9.



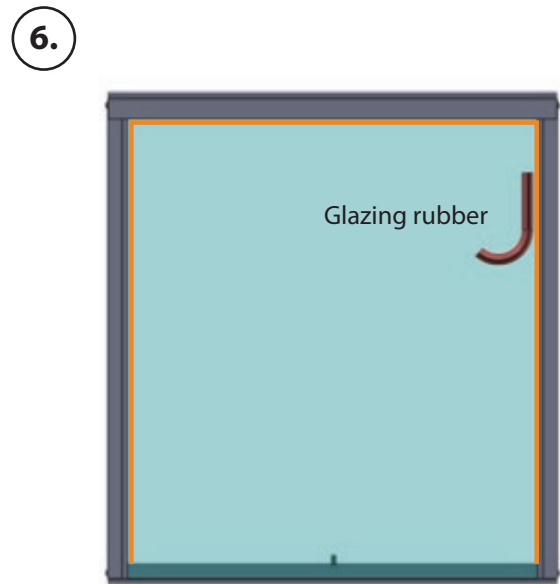
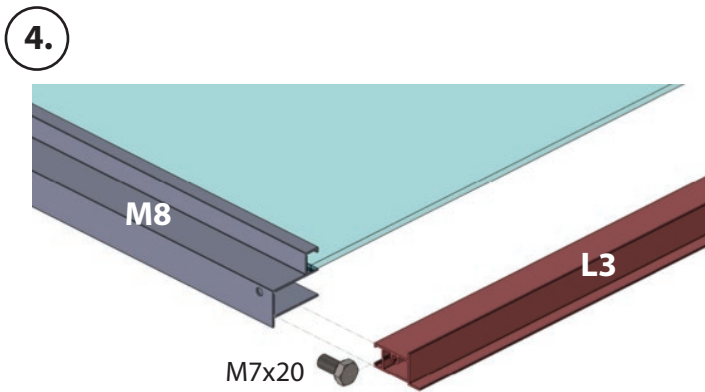
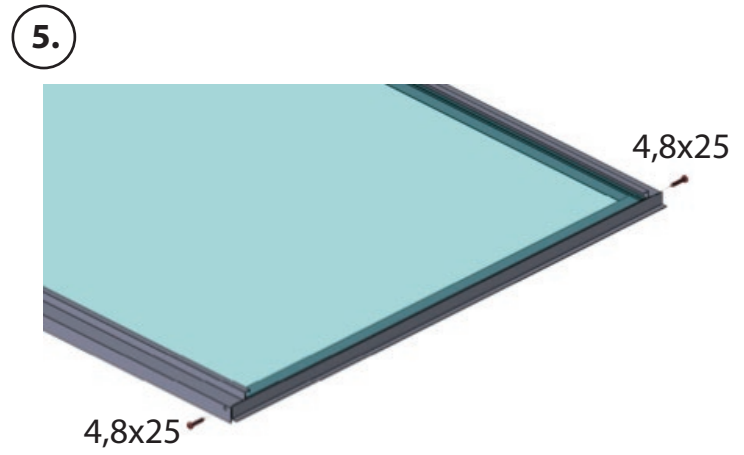
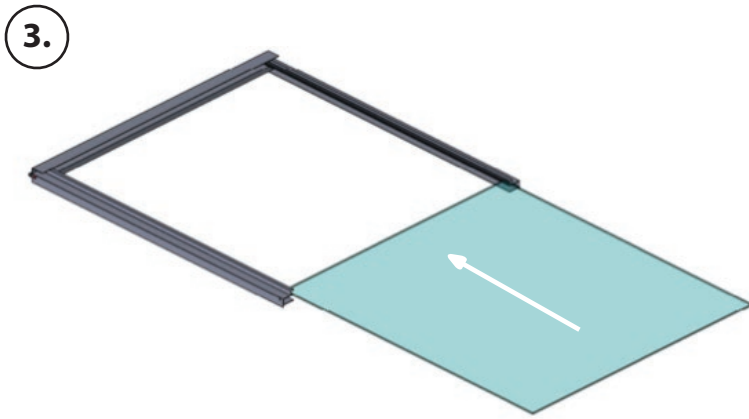
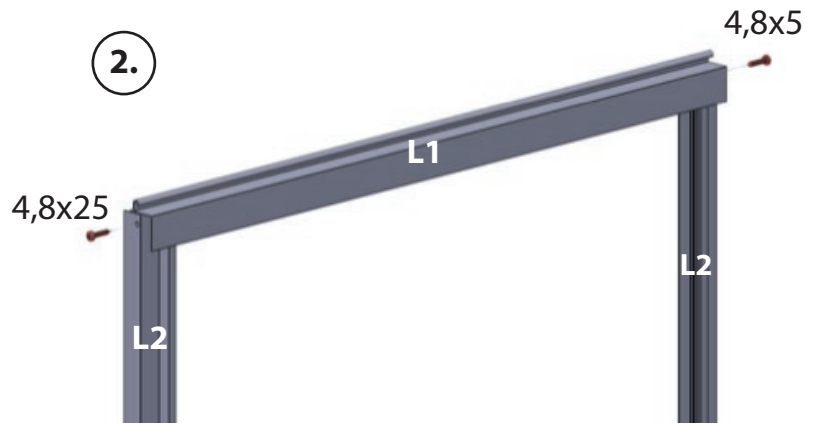
10.



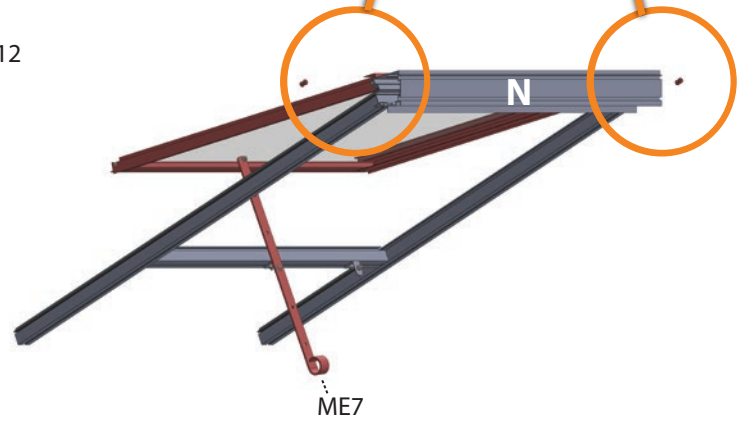
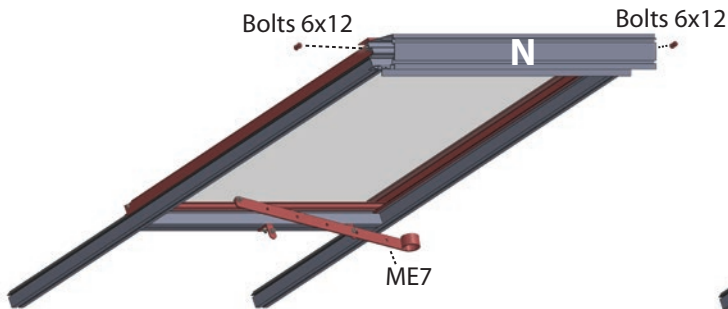
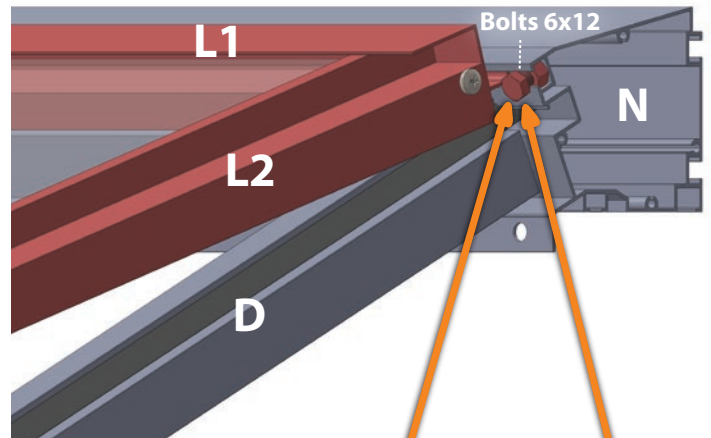
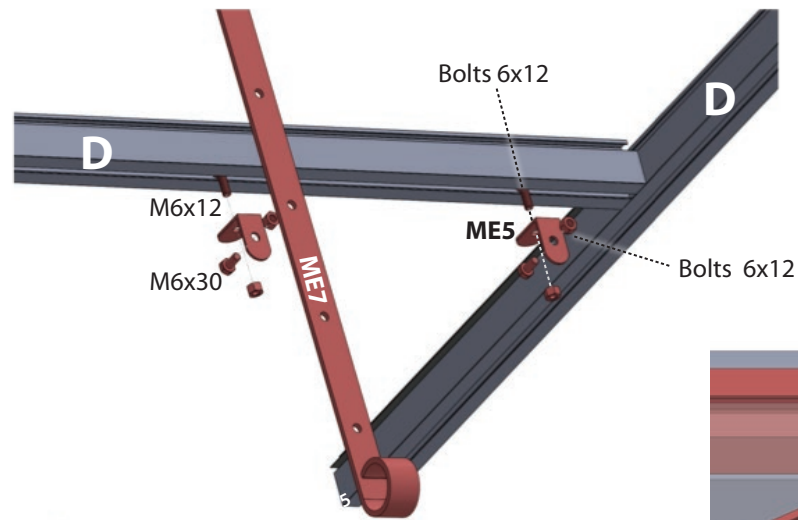
For doors larger than 30 11/16" x 71 5/8"

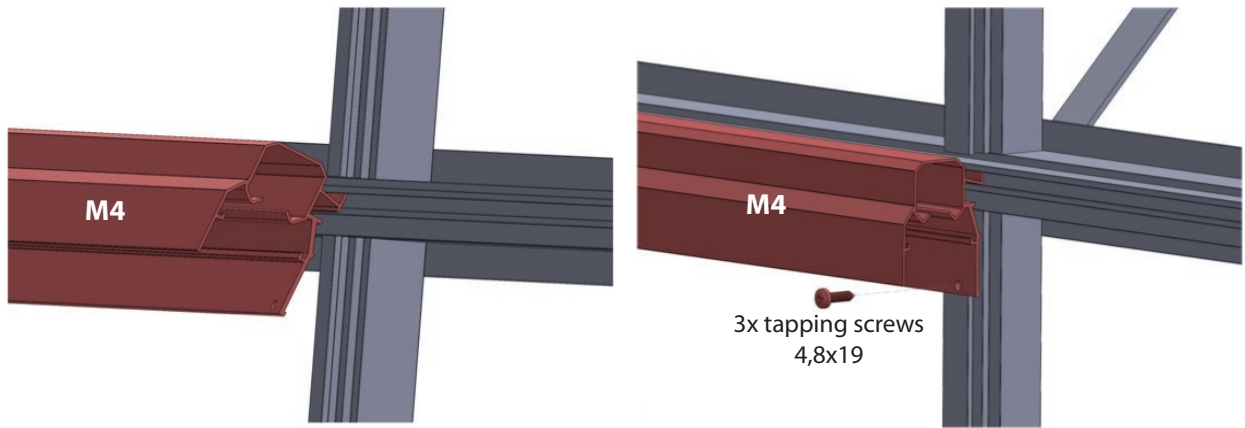


Roof window

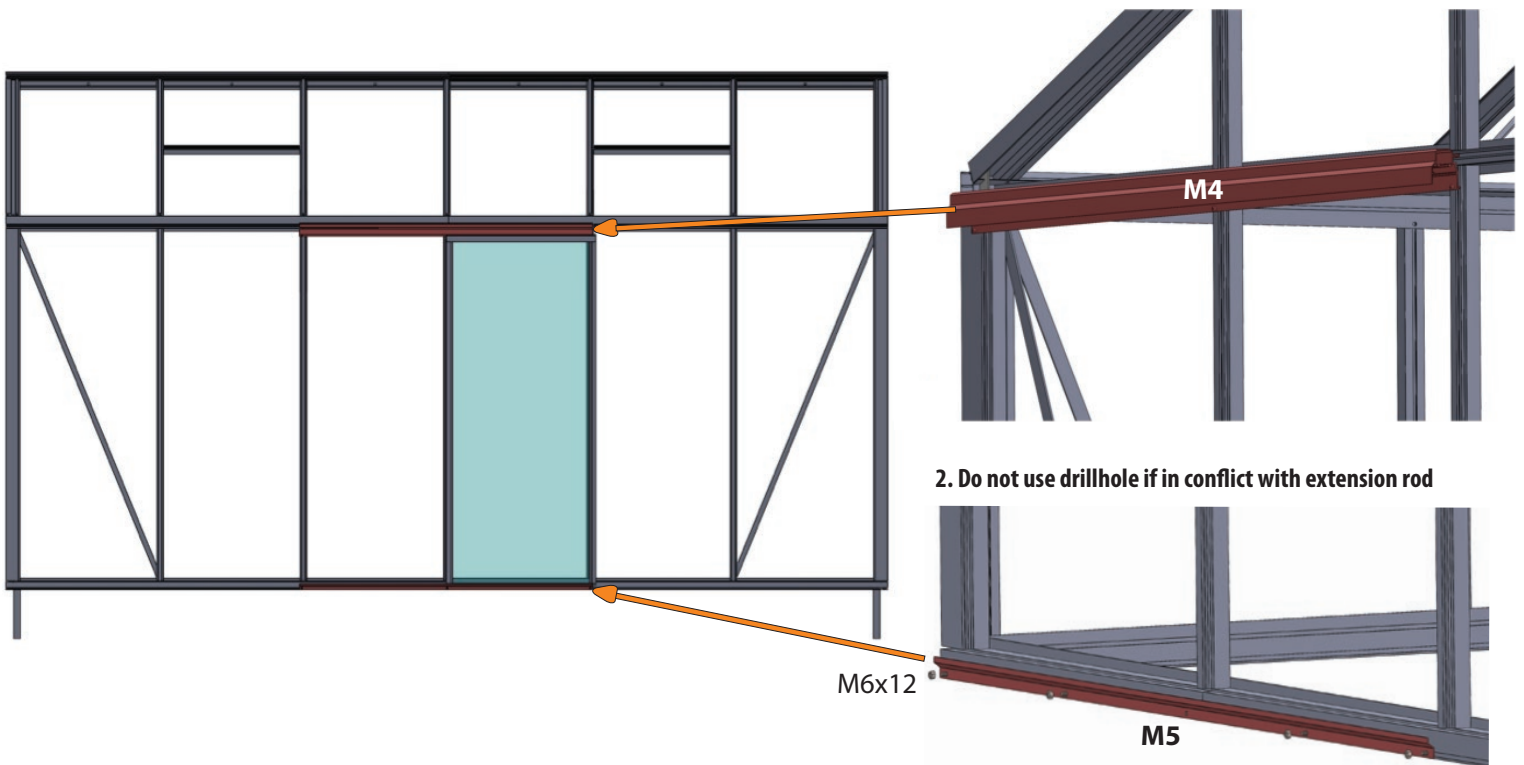
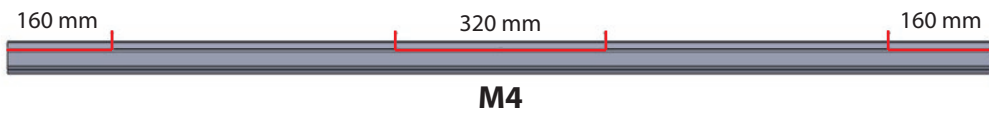


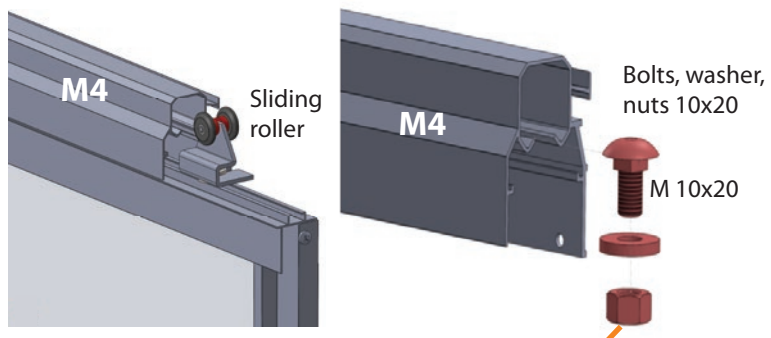
Screw for manual window opener



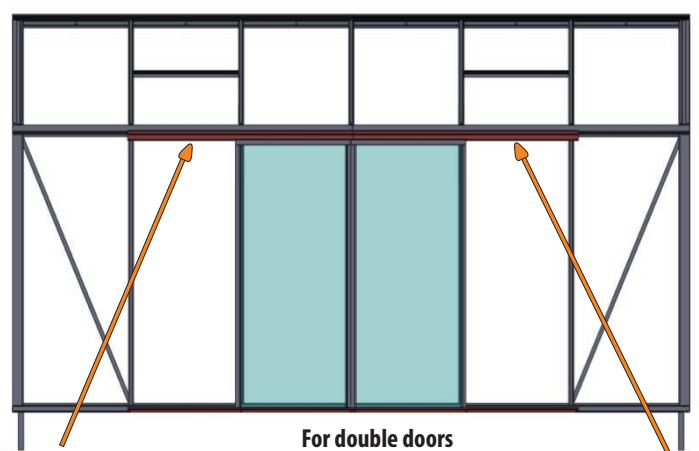
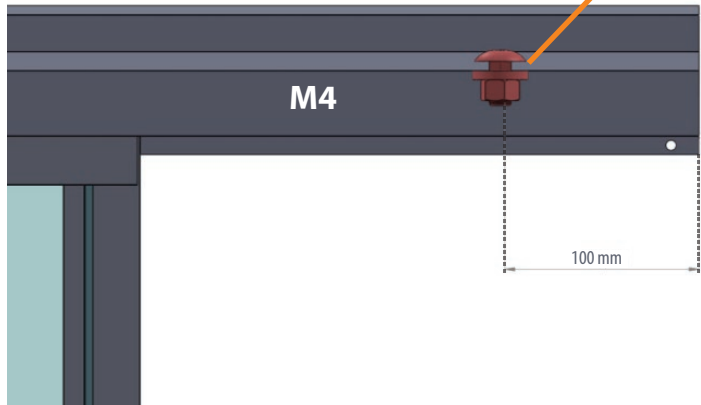


1. If in conflict with extension rod, cut out part here

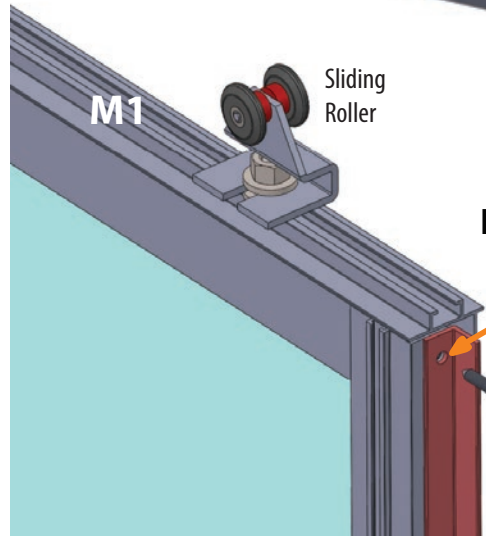
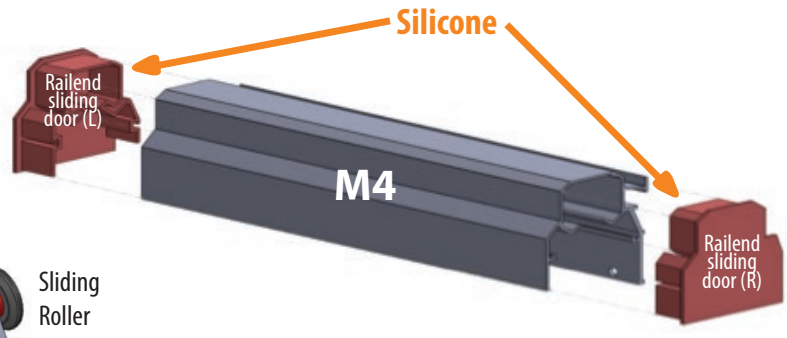
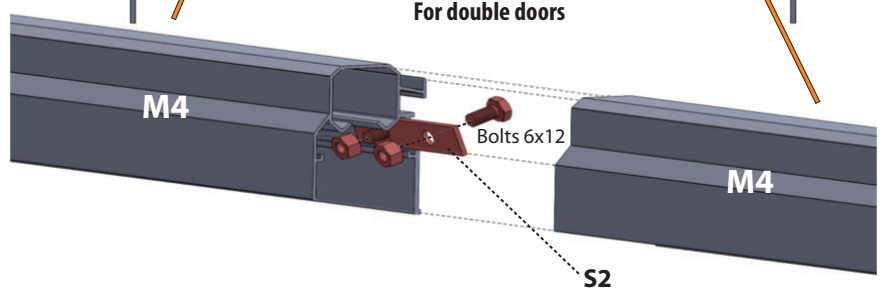




Insert doors into door profile and add stoppers



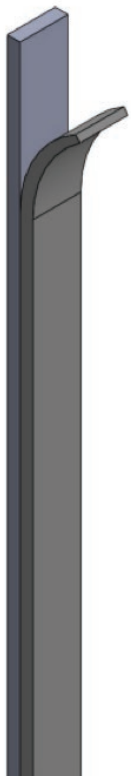
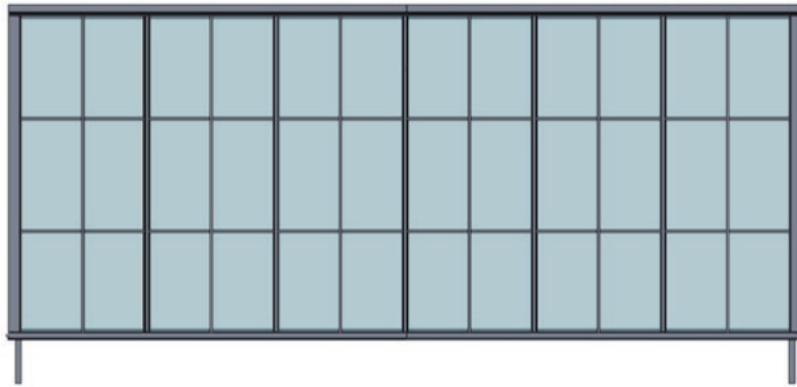
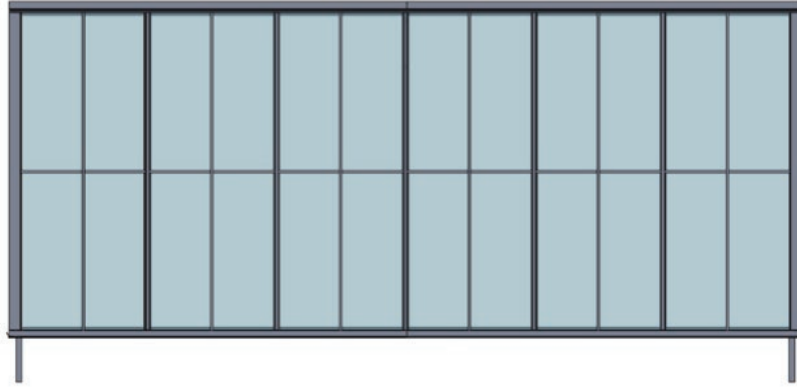
For double doors



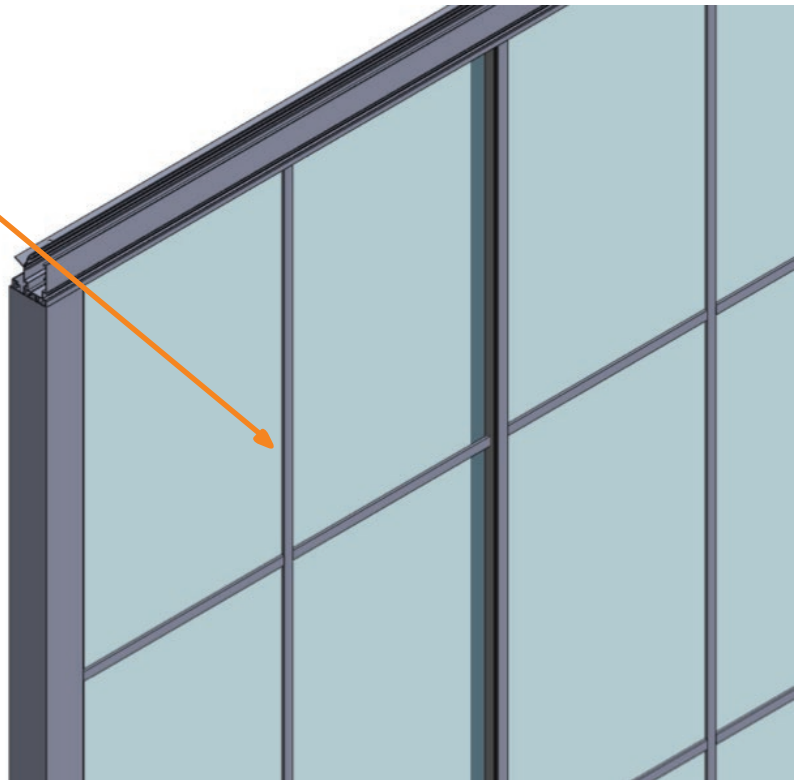
For double doors install 1 extra L profile

4 x Tapping screws 4,8x25

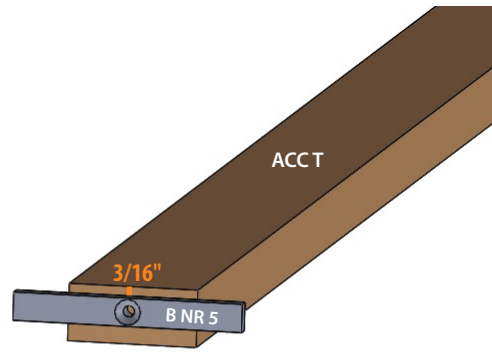
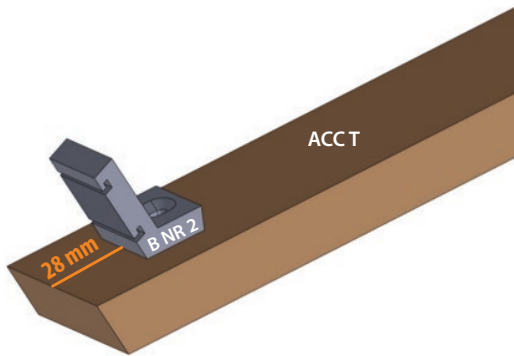
## Window Crossbars (Optional)



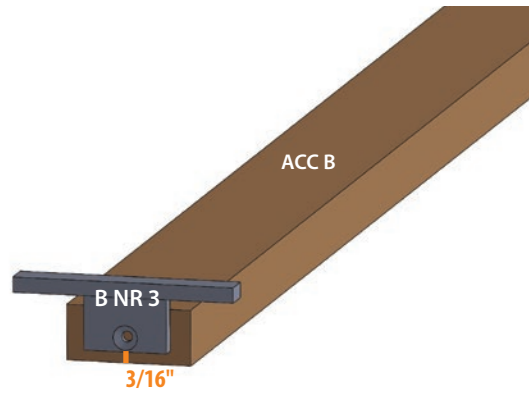
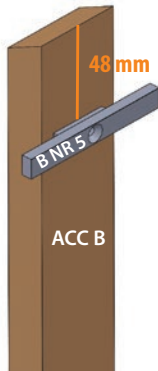
Glue to the window



1. Roof board ACCT

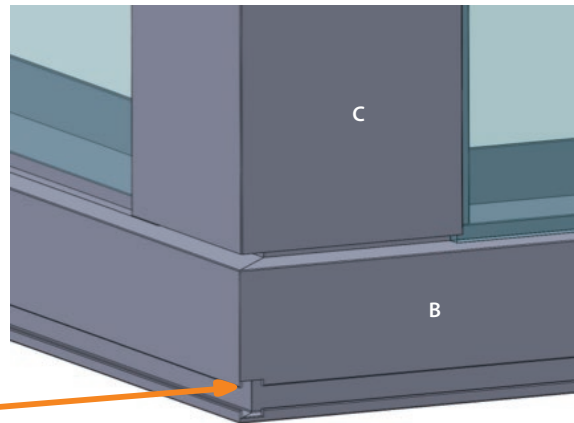
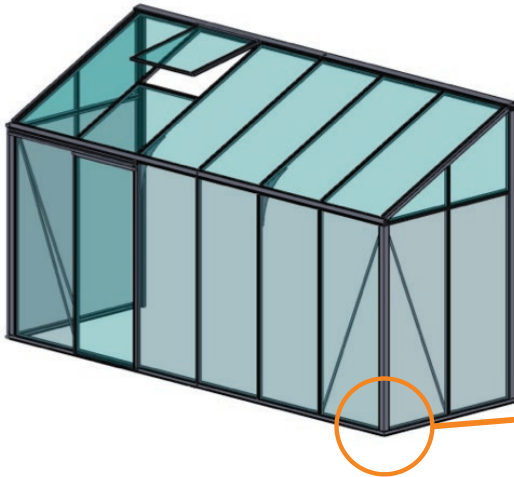


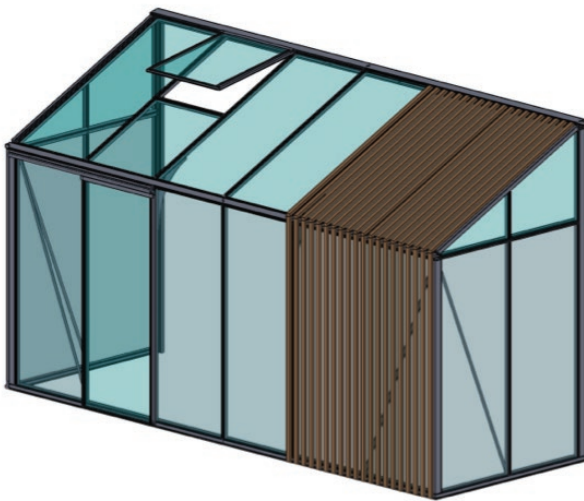
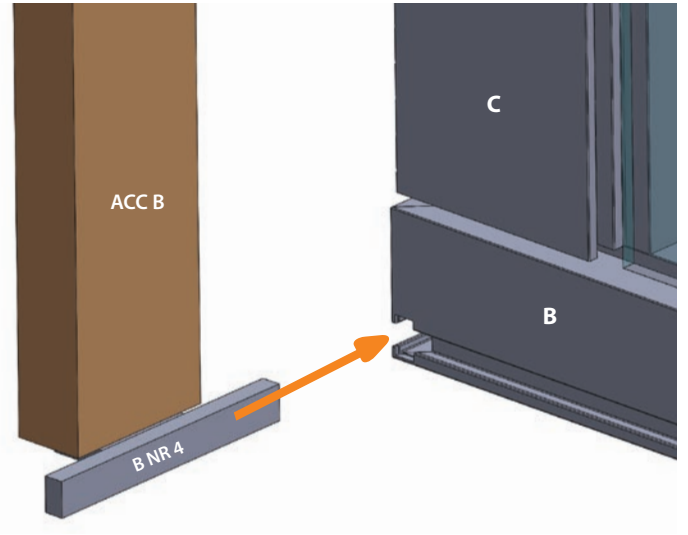
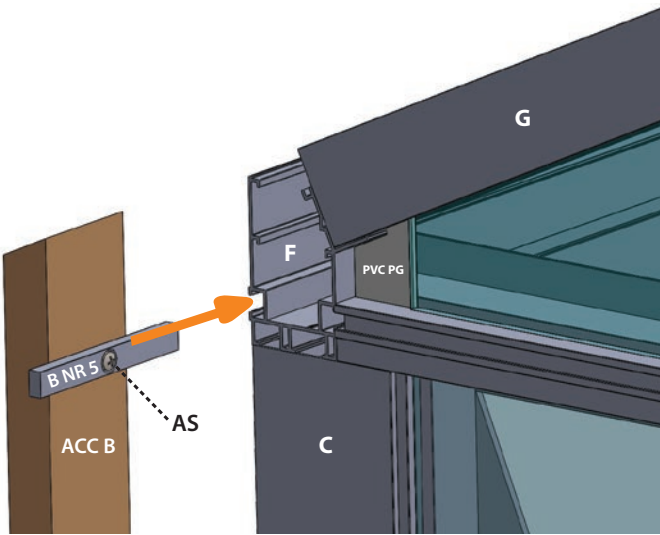
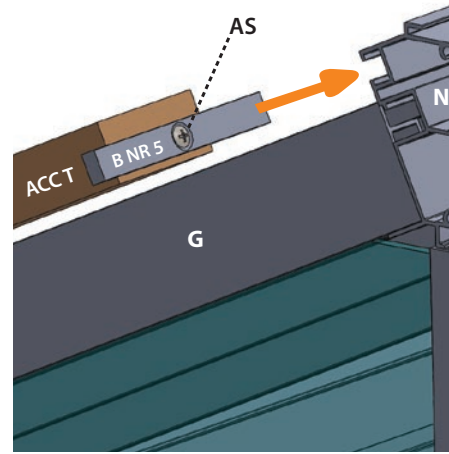
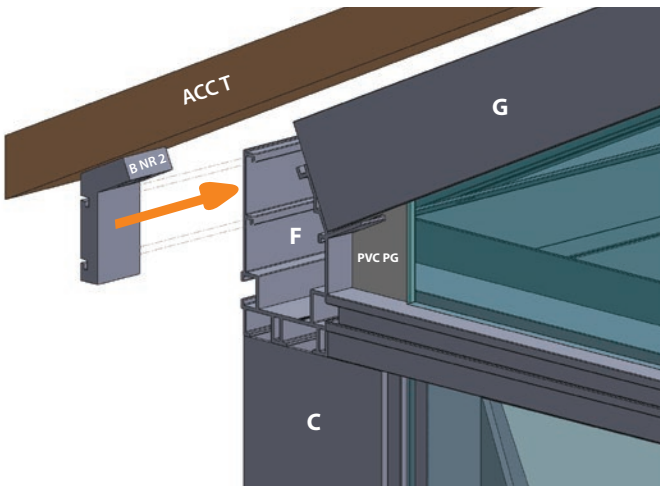
2. Wall board ACC B



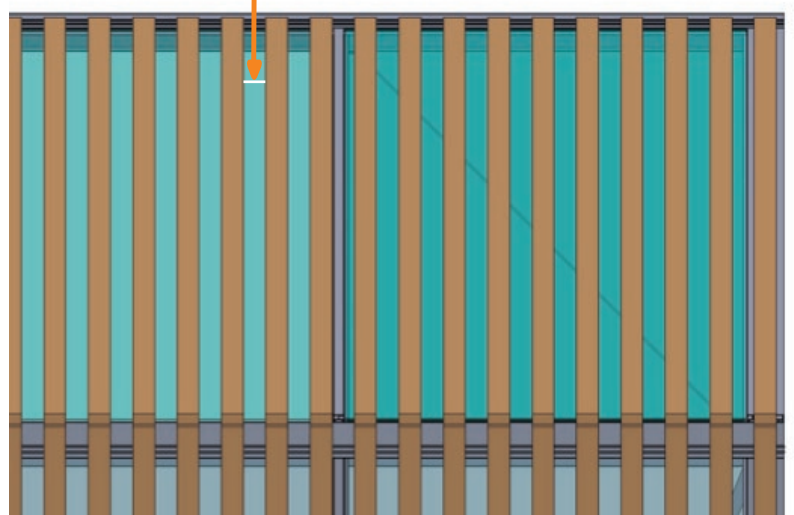
3. Use "AS" screw for installation

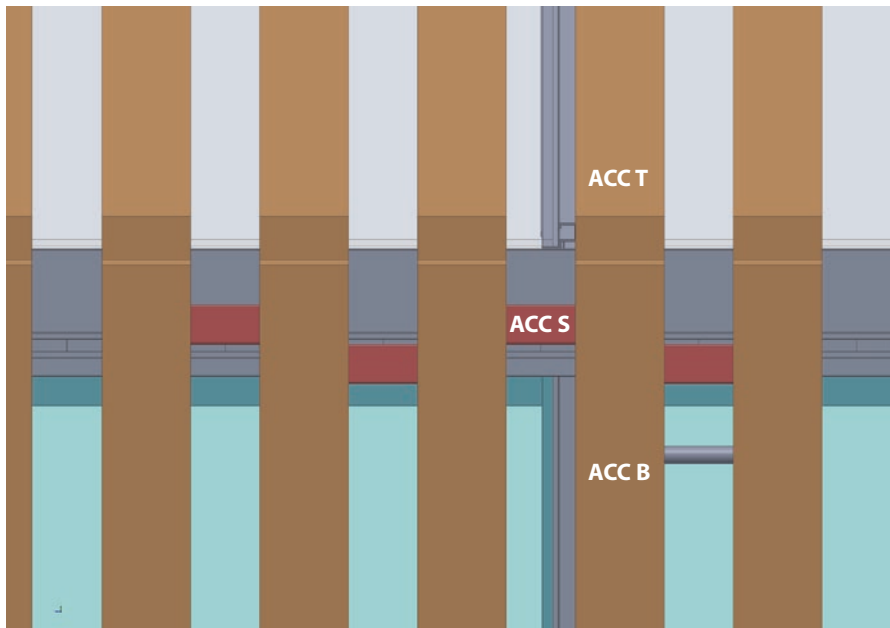
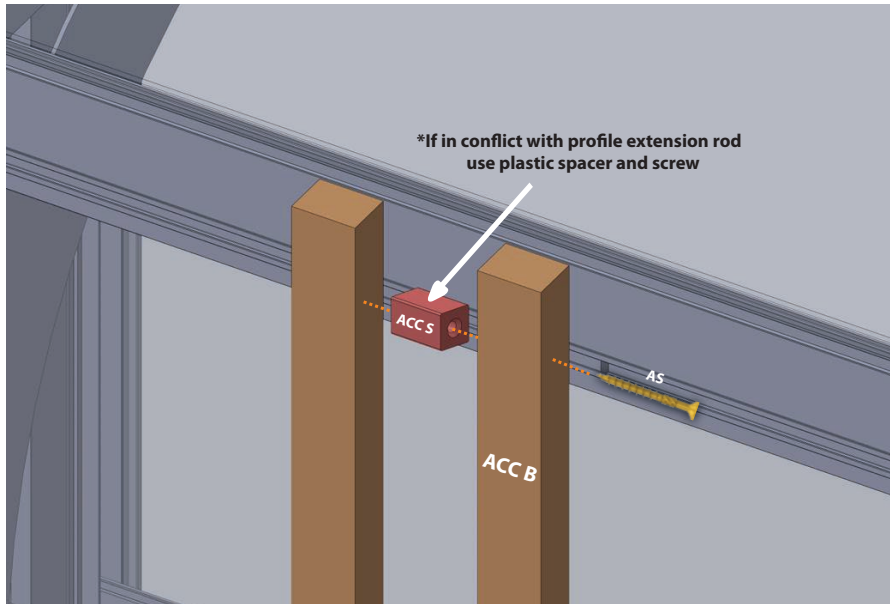
4. Cut out 1/4" x 3/8" rectangle





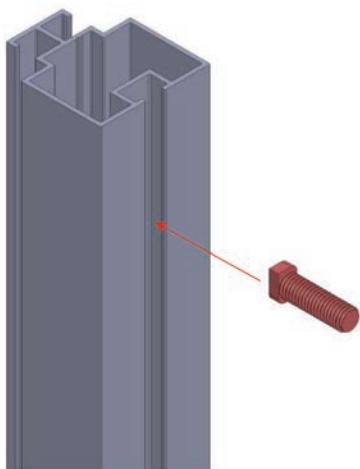
19/16" between boards



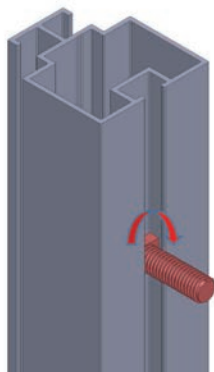


## ACCESSORY MOUNTS

**1. Insert the special screw into the profile**



**2. Turn it 90°**



**3. Attach the accessory and secure it with a nut**

