



MINI +ACCOYA

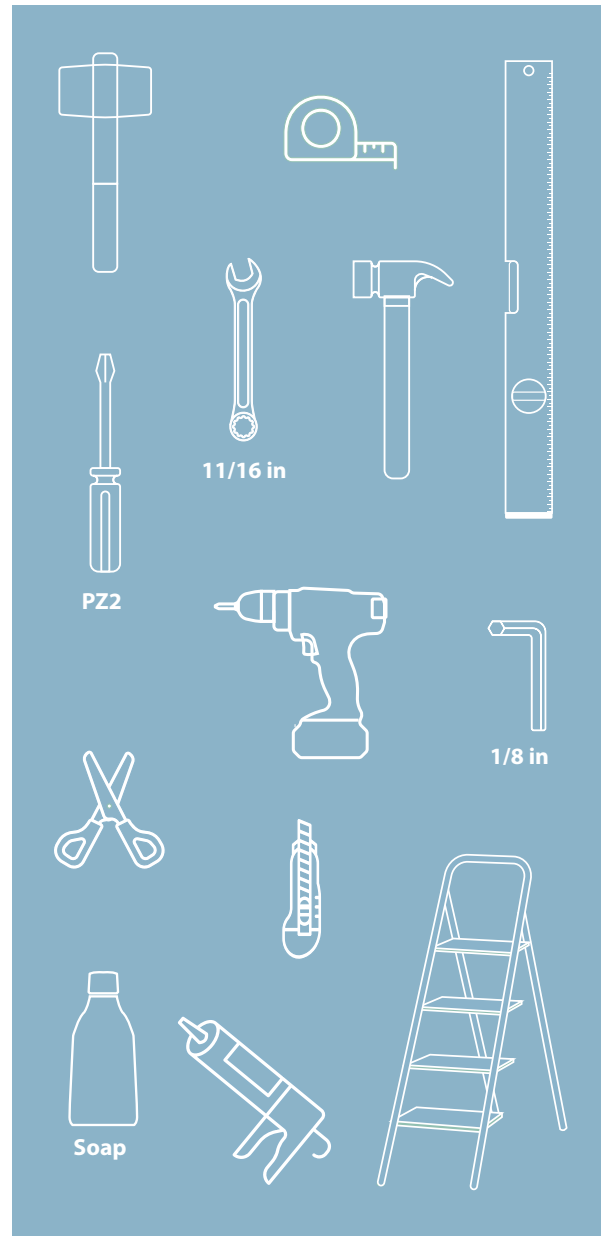
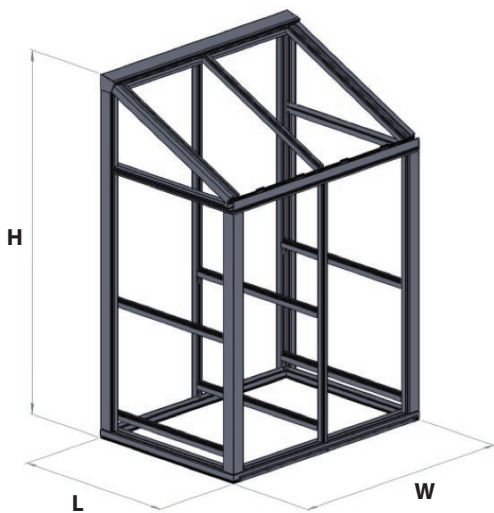


ASSEMBLY INSTRUCTIONS

Important: Read the entire instruction before starting the assembly. Strictly follow all the instructions provided in this manual and carry out all of the stages of the installation process in the specified order. Failure to comply with these rules may lead to incorrect fitting of the decorative laths and the occurrence of visual defects. The warranty certificate is void if it is found that damage has been caused by incorrect installation. The base on which the product is to be installed must be flat and without significant differences in level. The product must be attached to the base. Note: Use lube for all screws to prevent them from breaking. Make sure that the greenhouse pallet cannot tip over and cause accidents. Make sure that the ground where you put the pallet is in level. Installing two ground spikes to the pallet will prevent it from tipping. Do not remove all the wooden rules inside the pallet. Only remove the ones that are necessary to access the part you need.

Installation requires at least 2 people.

NECESSARY TOOLS – rubber mallet, measuring tape, spirit level, PZ2 screwdriver, wrenches 3/8 in, 1/2 in, and 11/16 in, cordless drill, 1/8 in hex key, utility knife, soap for rubber when oil is not enough, silicone gun and silicone, ladder.



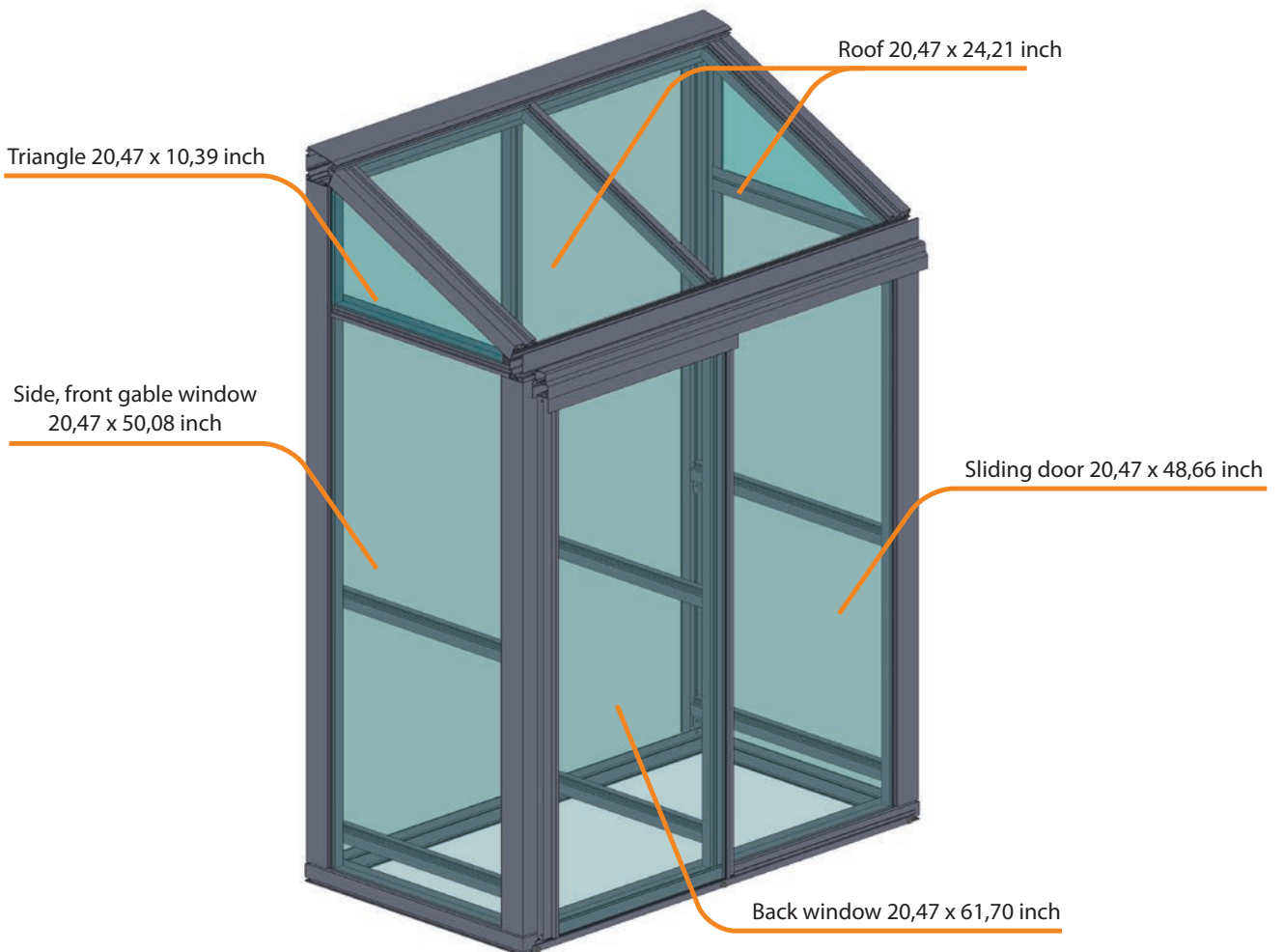
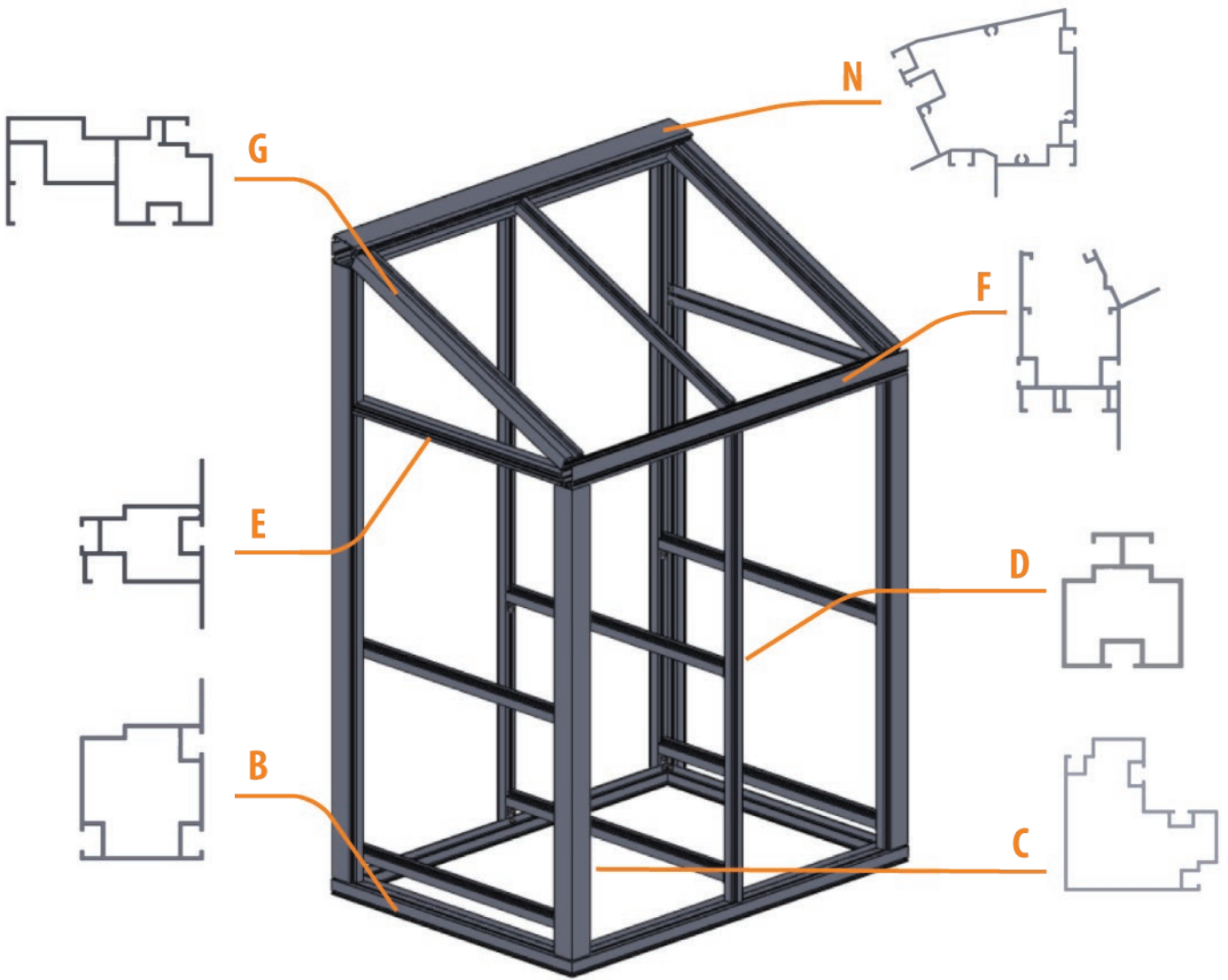
L (in)	W (in)	H (in)	Door / Side height (in)	Area (ft ²)
25.91"	47.24"	66.02"	66.02"	7.97 ft ²
	68.62"	66.02"	66.02"	11.52 ft ²
	90.00"	66.02"	66.02"	15.07 ft ²

WIND WARNING






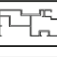



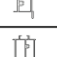


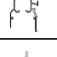
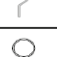
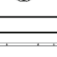





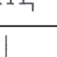
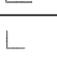

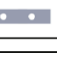



The manufacturer assumes no responsibility for damage caused by strong winds or storms. The structure must be secured according to the fastening options specified in the assembly instructions. During storms, all doors and windows must be closed.


















SNOW WARNING

Snow must be removed regularly from the roof. Excess snow load may cause structural failure. Damage caused by snow overload is not covered by warranty.



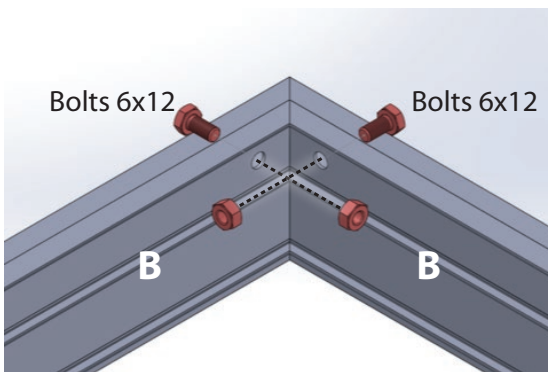
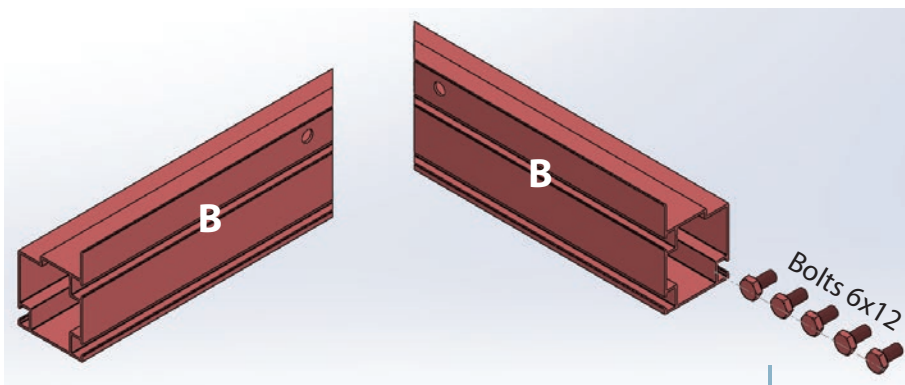
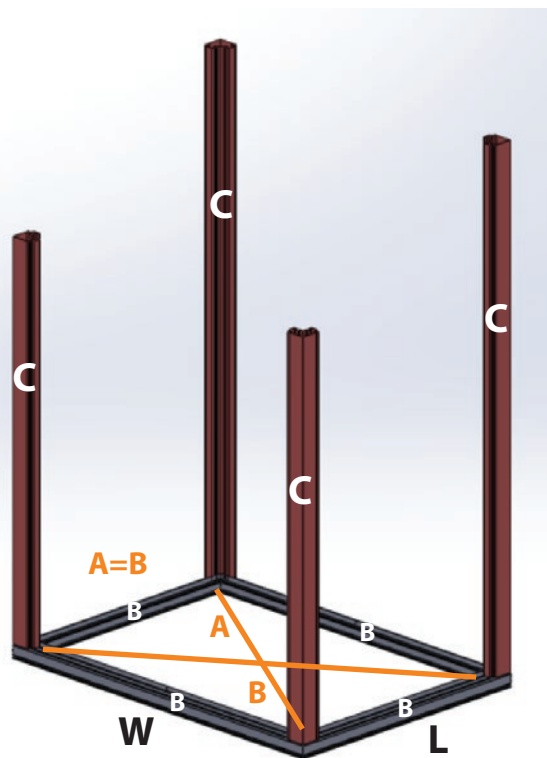
CLASSIFICATION OF PARTS

Part description, code and size			92,60x63,23	92,60x92,60	92,60x121,97	92,60x151,34	92,60x180,71	92,60x210,08	92,60x239,45		
		Size (inch)									
		B1	63,23	2							
		B2	90		2	2	2	2	2		
		B3	32		2			2			
		B5	92,6	2	4	2	2	2	2		
		B6	61,34			2			2		
		B7	90,71				2				
	B8	88,11					2	2			
	C2	65,35	4	4	4	4	4	4	4		
	D2	65,35	6	8	10	12	14	16	18		
	I6	48,78	2	4	6	8	10	12	14		
	I2	15	2	2	2	2	2	2	2		
	I5	21	2	2	2	2	2	2	2		
	I4	15	2	2	2	2	2	2	2		
	I7	28	1	1	1	2	3	4	4		
	E4	89,37	2	2	2	2	2	2	2		
	F1	63,15	2								
	F2	92,52		2							
	F3	90			2	2	2	2	2		
	F4	31,93			2			2			
	F6	61,3				2			2		
	F7	90,67					2				
	F8	88,11						2	2		
	G2	48,78	4	4	4	4	4	4	4		
	K1	63,15	1								
	K2	92,52		2							
	K3	90			1	1	1	1	1		
	K4	31,93			1			1			
	K6	61,3				1			1		
	K7	90,67					1				
	K8	88,11						1	1		
	L1	30,63	1	1	1	2	3	4	4		
	L2	32,52	2	2	2	4	6	8	8		
	L3	30,63	1	1	1	2	3	4	4		
	M1	30,63	1	1	1	1	1	1	1		
	M6	64,41	2	2	2	2	2	2	2		
	M3	30,63	1	1	1	1	1	1	1		
	M4	60,24	1	1	1	1	1	1	1		
	M5	60,24	1	1	1	1	1	1	1		
	M7	65	2	2	2	2	2	2	2		
	S1	11,81	0	0	11	11	11	22	22		
	ME11	37,6	2	2	2	2	2	2	2		
	ME10	71,85	8	8	8	8	8	8	8		
	ME4	58,07	0	0	1	2	0	0	0		
	ME9	11.81 x 11.81	0	0	0	0	2 sets	2 sets	3 sets		
	ME5	1.38 x 1.38	8	8	8	10	12	14	14		
	ME6	2.36 x 2.36	2	2	2	4	6	8	8		
	ME7	23,5	1	1	1	2	3	4	4		
	ME8	2	8	12	16	20	24	28	32		
	A1	1.38 x 1.38 x 11.81	4	4	4	4	4	4	4		
	A3	0,6x0,6x28	1	1	1	1	1	1	1		
	A2	0.59 x 0.59 x 64.41	1 if double doors								
	S2	2.76 x 0.55 x 0.08	1 if double doors								
	Glazing rubber (ft)		230	279	328	377	427	475	525		
	Brush strip (in)		130	130	130	130	130	130	130		

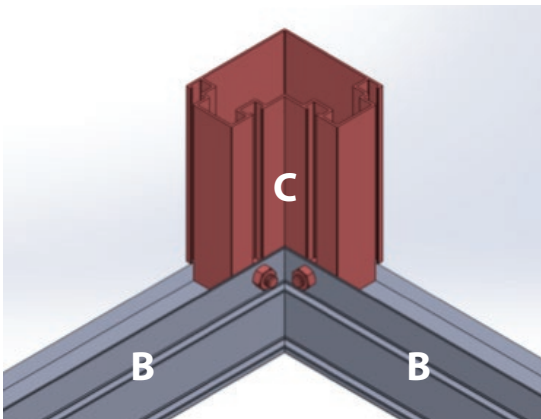
	Down pipe bend 90° - Ø1,38 inch	2	2	2	2	2	2	2
	Sliding roller	2	2	2	2	2	2	2
	Bolts 6x12	100	110	120	140	170	180	190
	Bolts 6x30	2	2	2	4	6	8	8
	Nuts 6x1	105	115	125	145	180	190	200
	Bolts, washer, 2 nuts 7x20	1	1	1	2	3	4	4
	Bolts, washer, nuts 10x20	2	2	2	2	2	2	2
	Tapping screws 4,8x25	8	8	8	12	16	20	20
	Tapping screws 4,8x19	5	5	5	5	5	5	5
	Hexagon socket screws	0	0	44	44	68	88	88
	Nut caps	105	115	125	145	180	190	200
	Gutter end incl. downpipe	2	2	2	2	2	2	2
	Gutter end	2	2	2	2	2	2	2
	Ridge end	2	2	2	2	2	2	2
	Railends (L) sliding door	1	1	1	1	1	1	1
	Railends (R) sliding door	1	1	1	1	1	1	1
	PVC piece gable	4	4	4	4	4	4	4

Glass								
	Gable 28,54 x 65,67 inches	9	11	13	15	17	19	21
	Sliding door 28,54 x 64,06 inches	1	1	1	1	1	1	1
	Roof 28,54 x 65,55 inches	3	5	7	8	9	10	12
	Roof window 28,54 x 32,20 inches	1	1	1	2	3	4	4
	Underneath roof window 28,54 x 16,02 inches	1	1	1	2	3	4	4
	Triangle 28,54 x 15,63 inches	4	4	4	4	4	4	4
	Triangle 13,86 x 20,95 inches	4	4	4	4	4	4	4

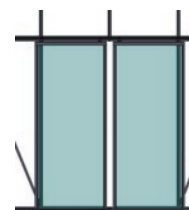
Accoya decors								
	BNR2	1,8x0,8x0,9	19	19	38	38	38	38
	BNR4	3,15x1x0,4	19	19	38	38	38	38
	BNR5	3,15x0,4x0,4	38	38	76	76	76	76
	ACCS	1,38x0,7x0,7	0	0	8	8	8	8
	ACCT	50,7x1,77x0,79	19	19	38	38	38	38
	ACCB	69,4x1,77x0,79	19	19	38	38	38	38
	AS	4x20	76	76	152	152	152	152
	ASS	5x100	0	0	8	8	8	8

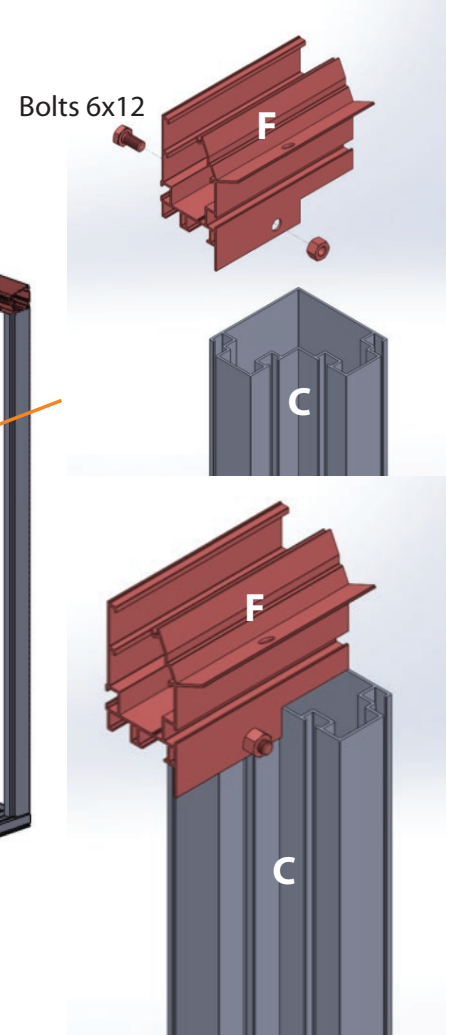
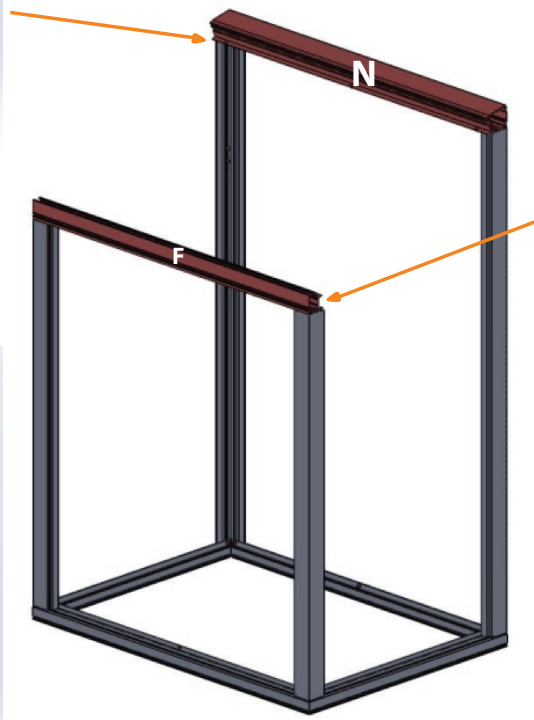
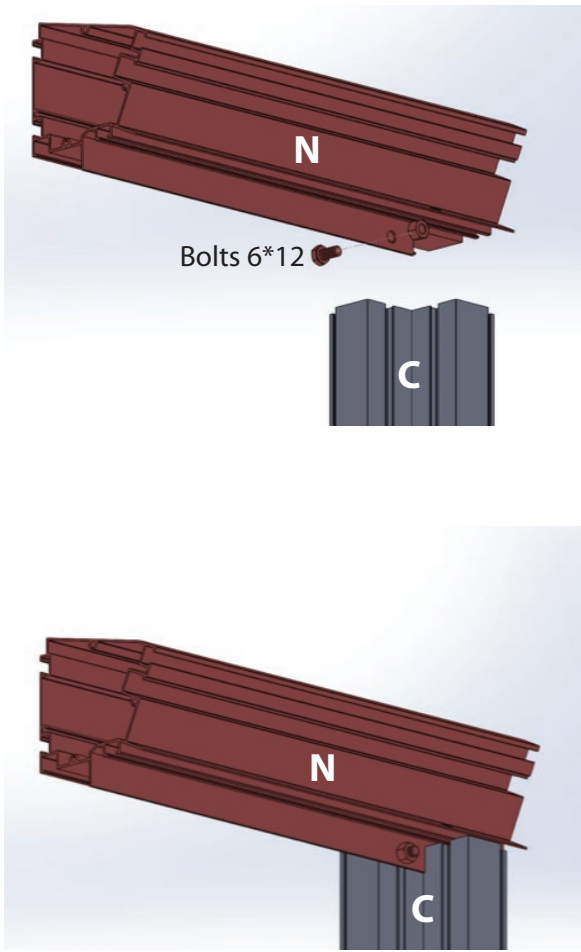


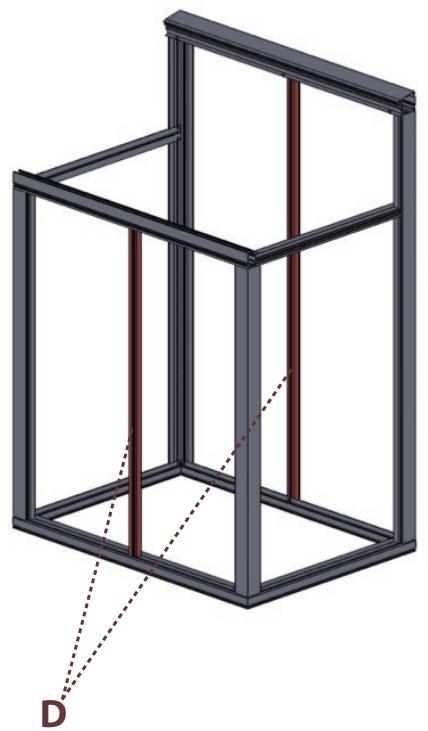
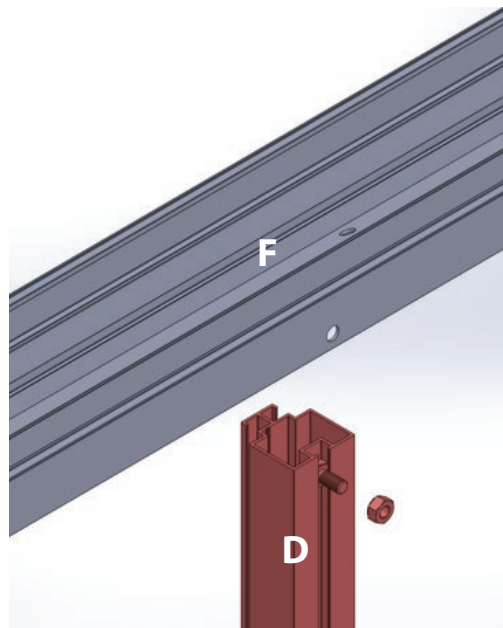
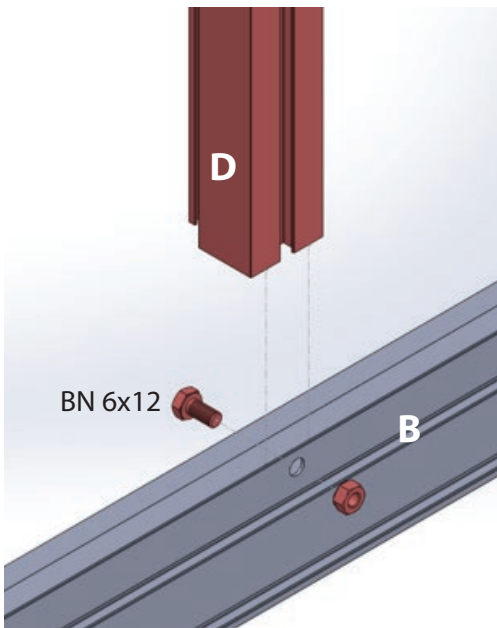
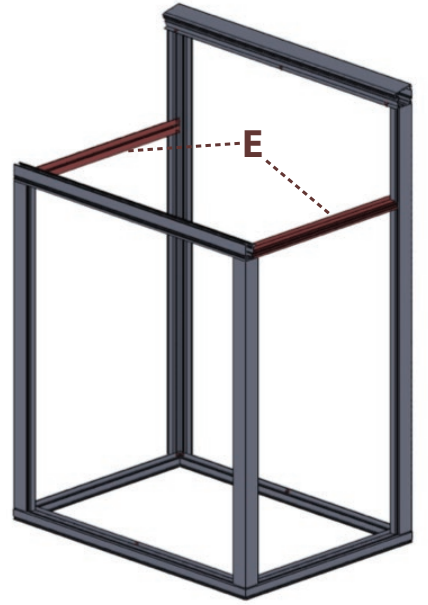
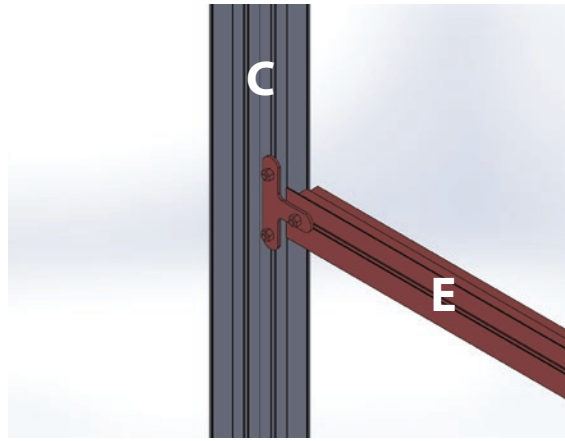
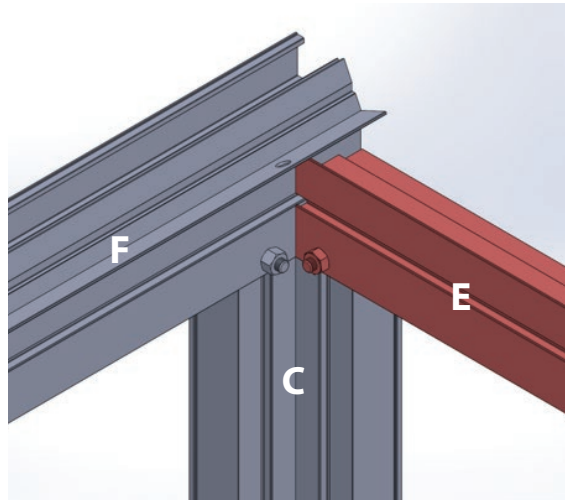
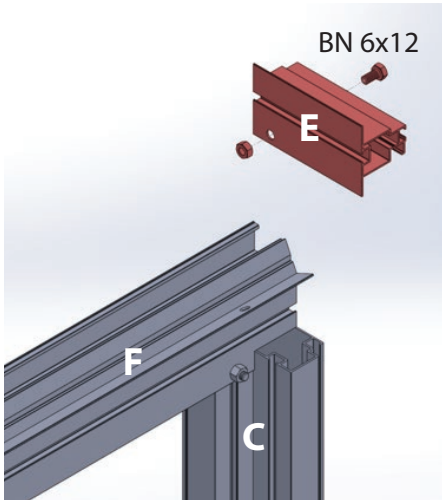
1 door = 5 x Bolts 6x12

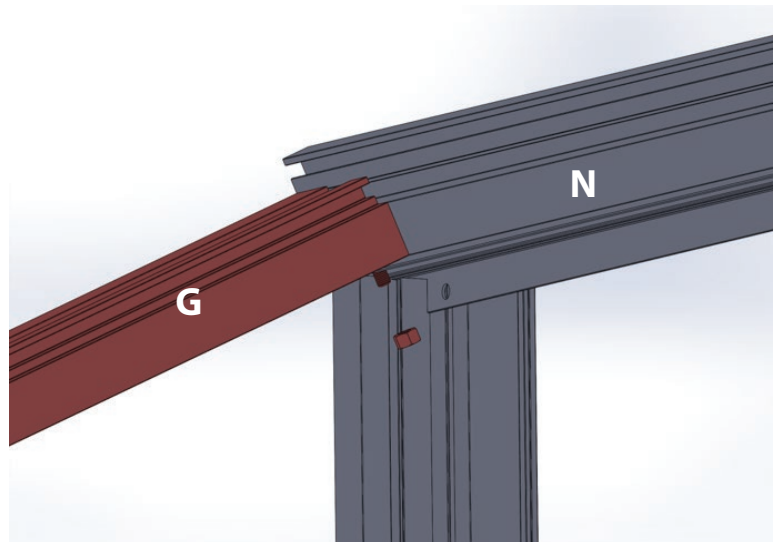
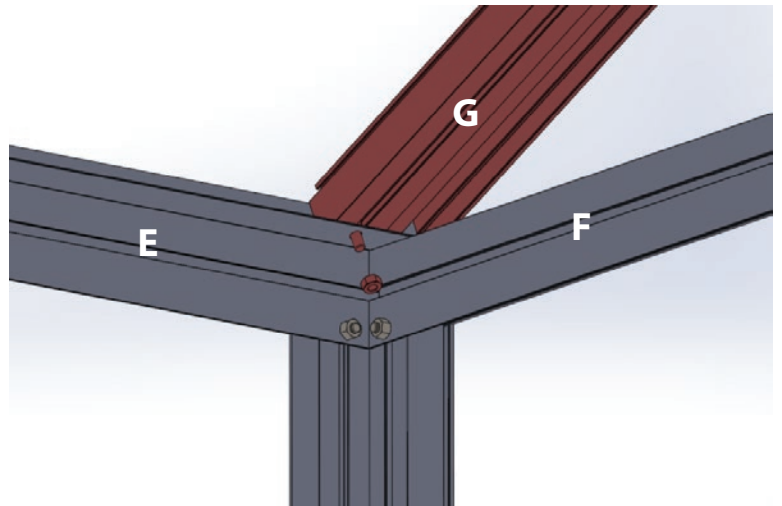
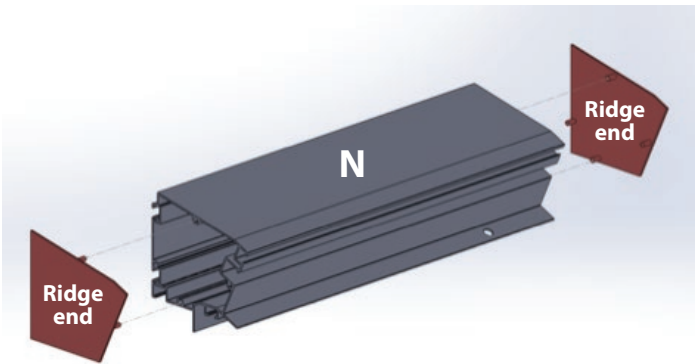
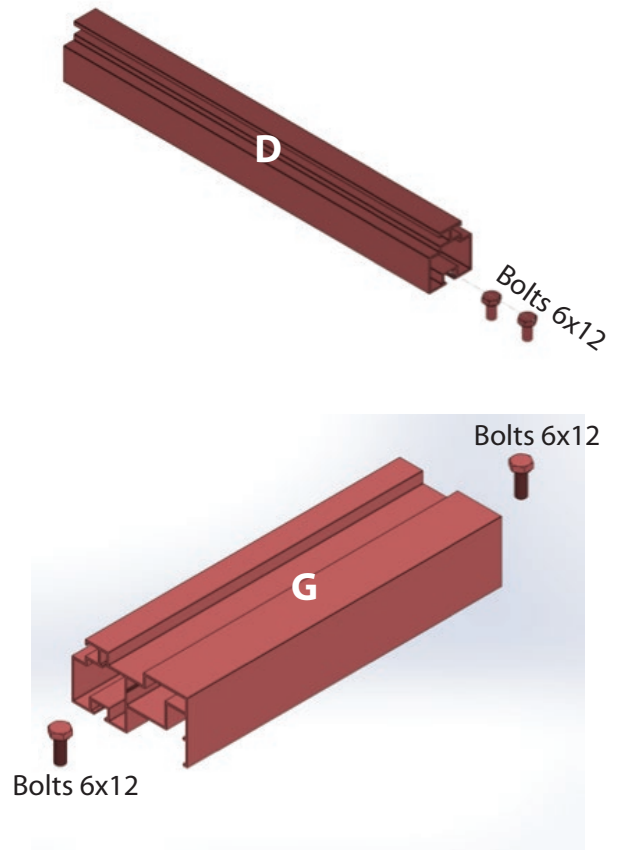
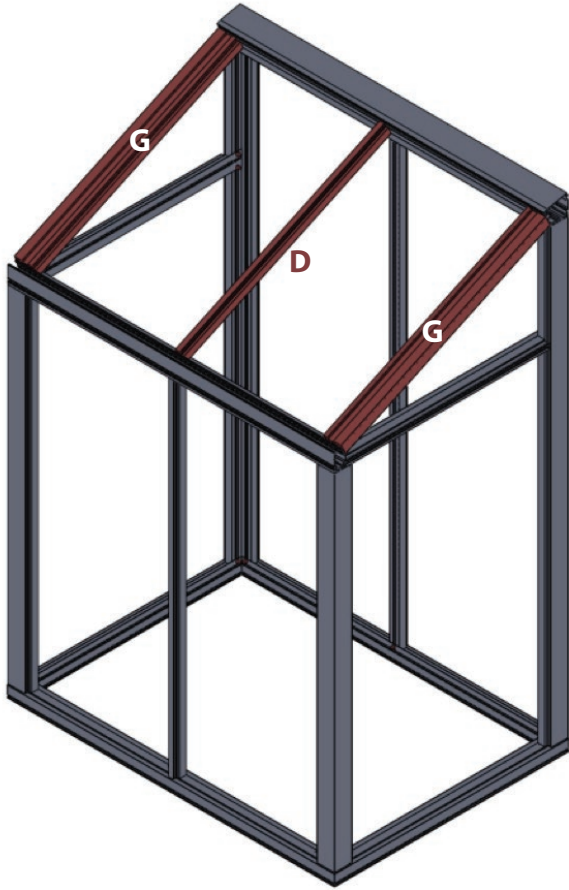


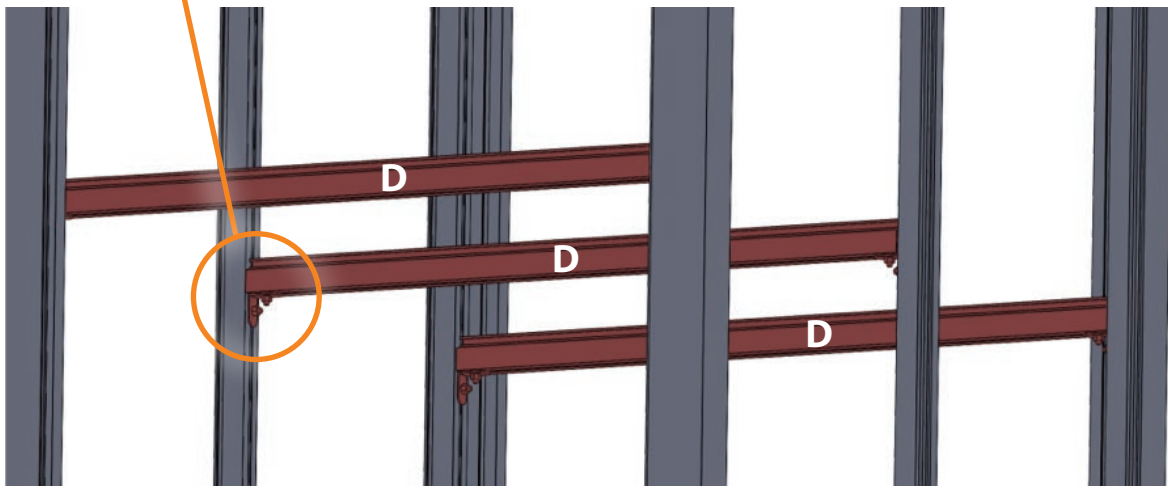
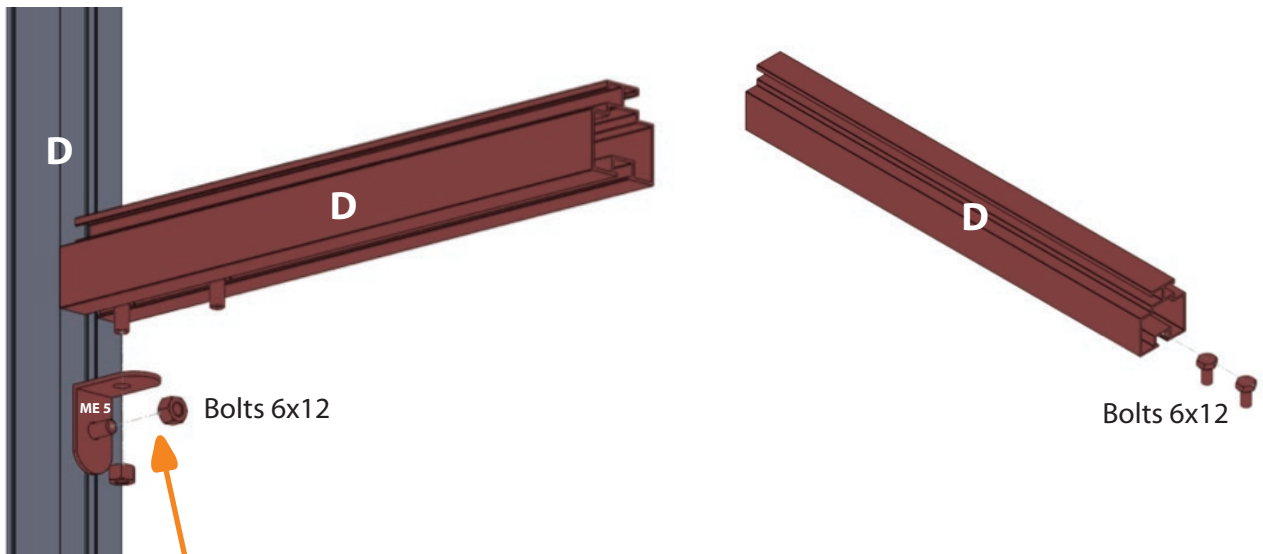
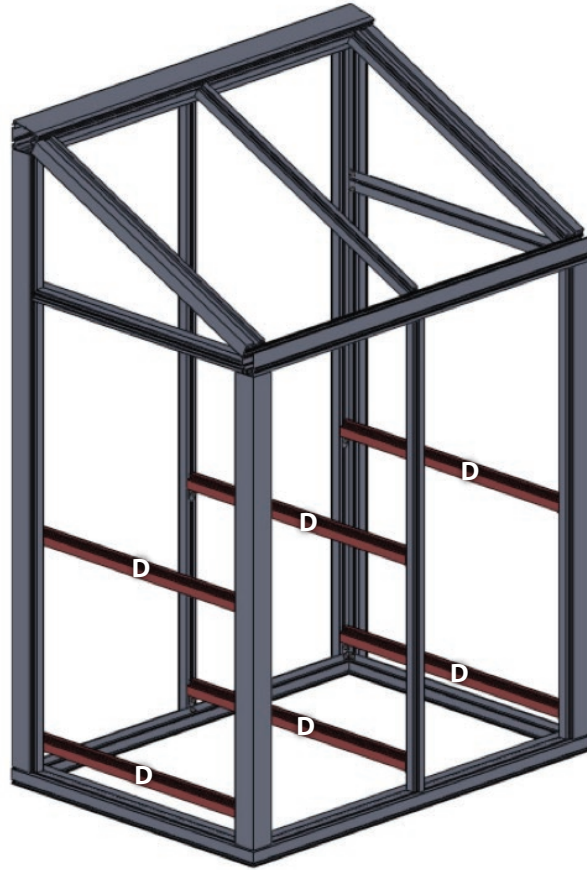
2 doors = 6 x Bolts 6x12

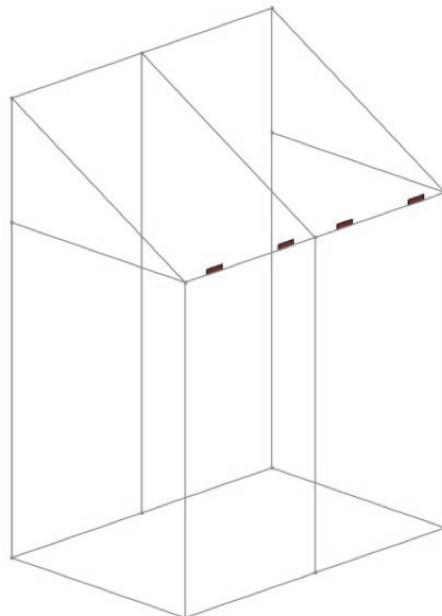
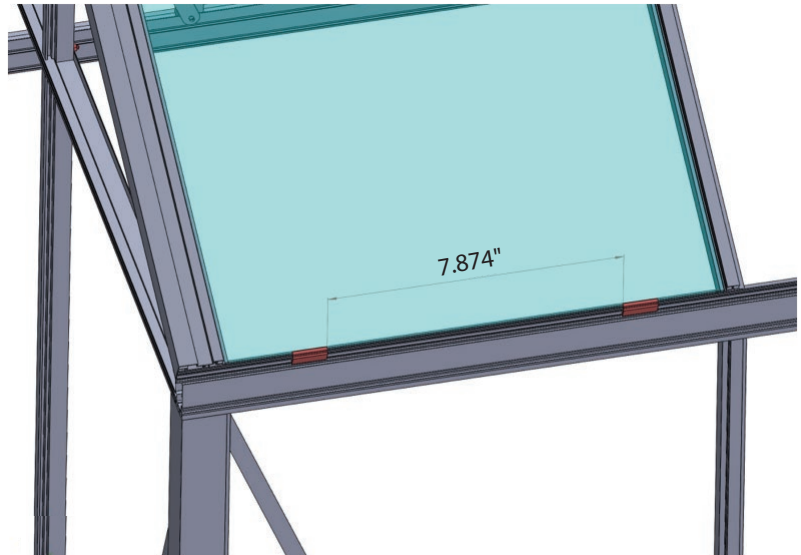
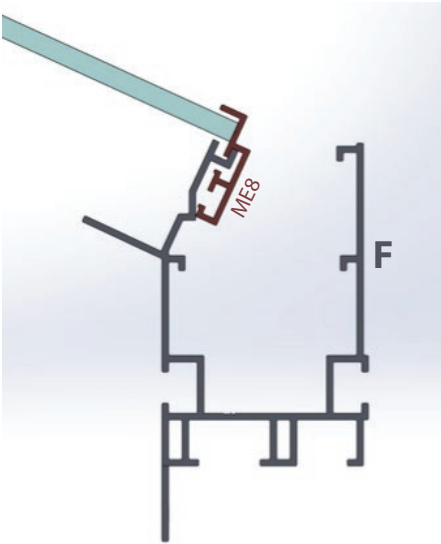
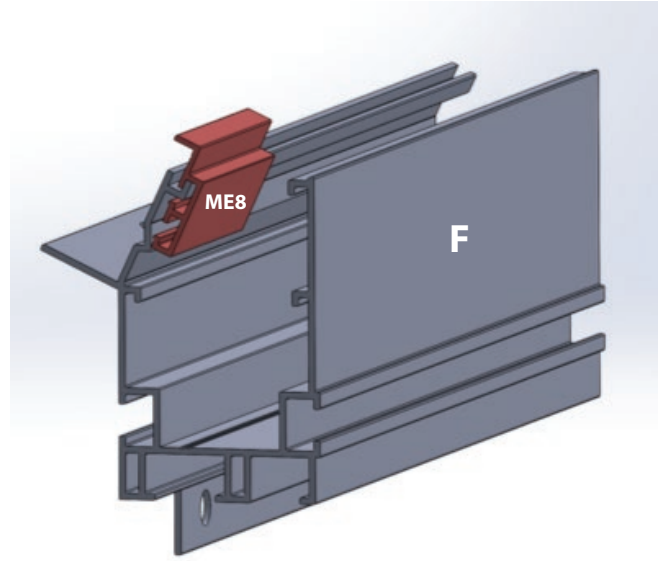
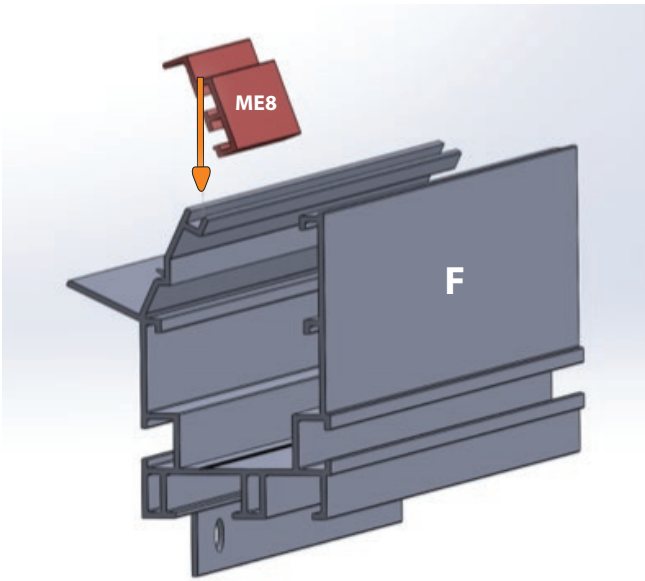


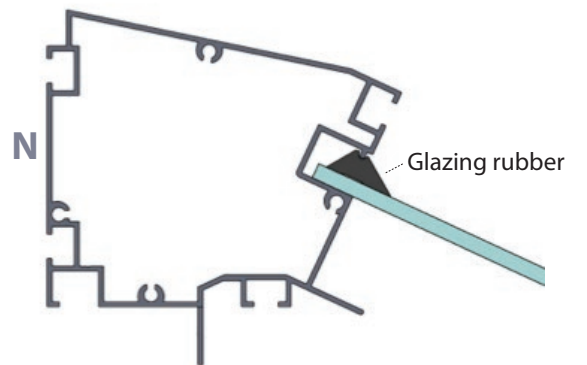
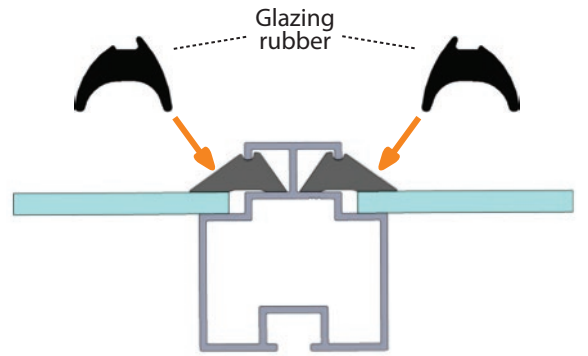
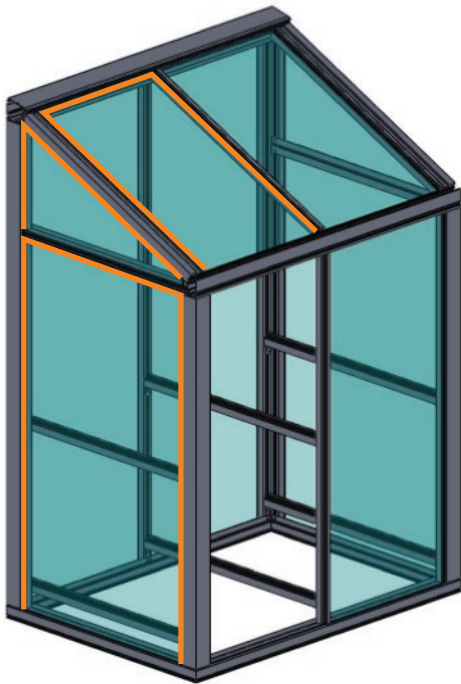
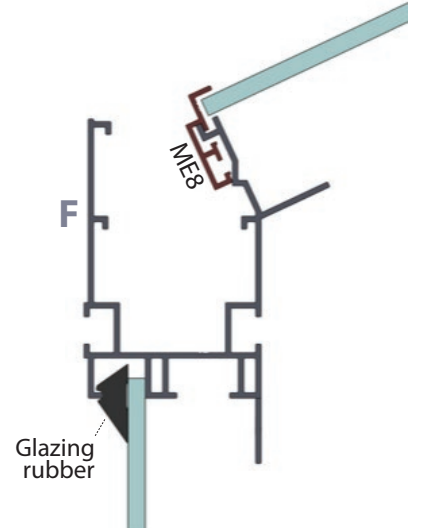
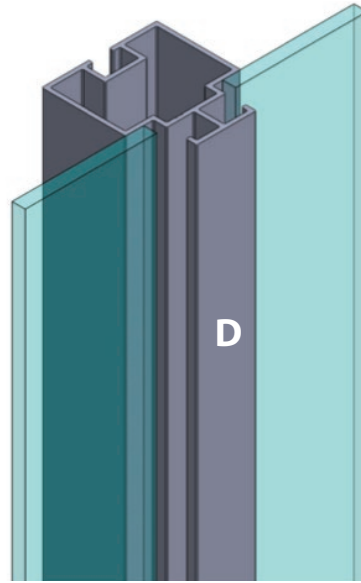


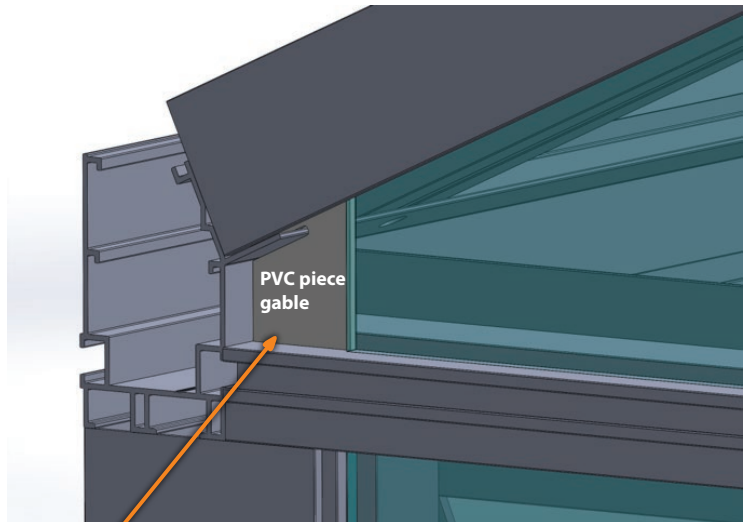
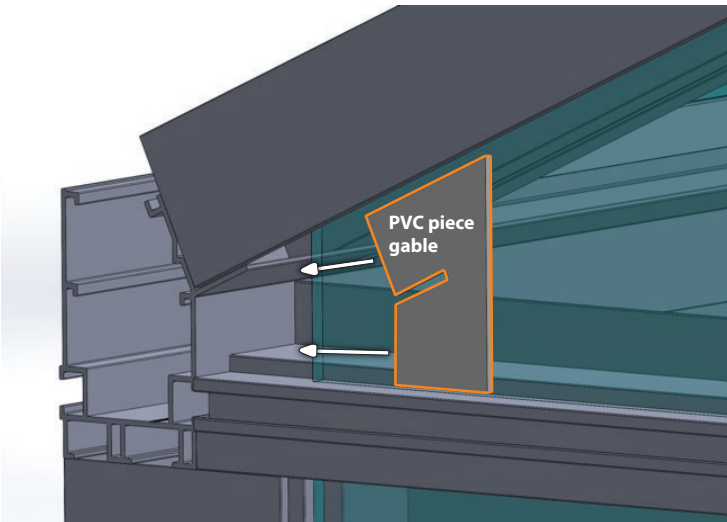
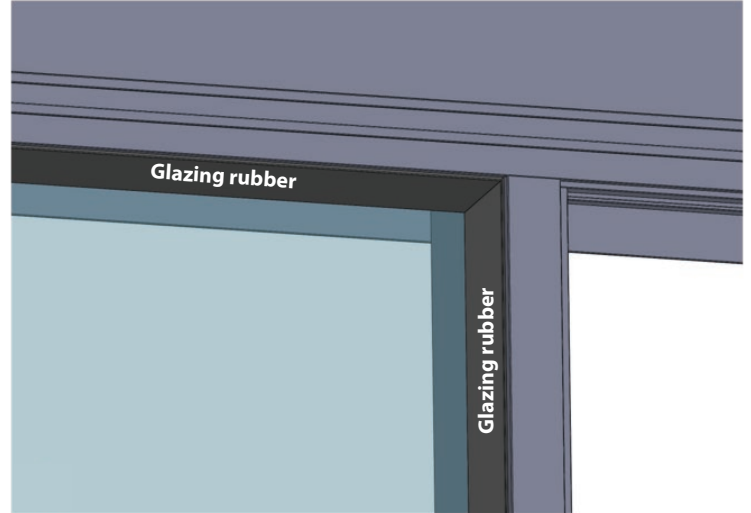
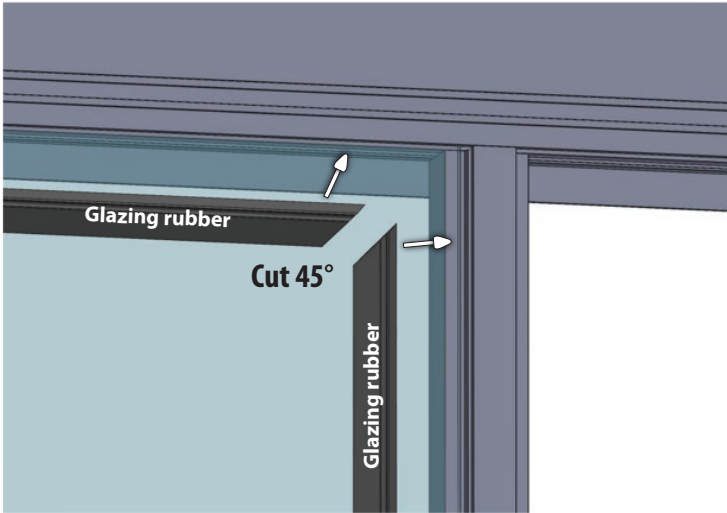








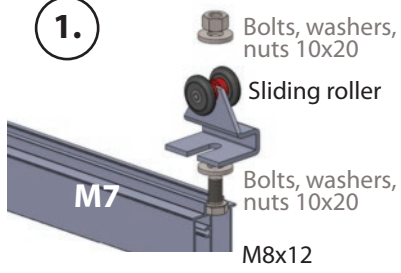




Silicone

Sliding doors

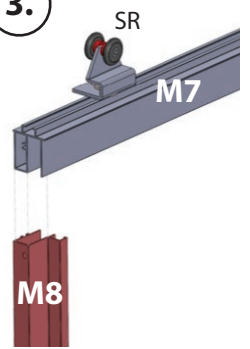
1.



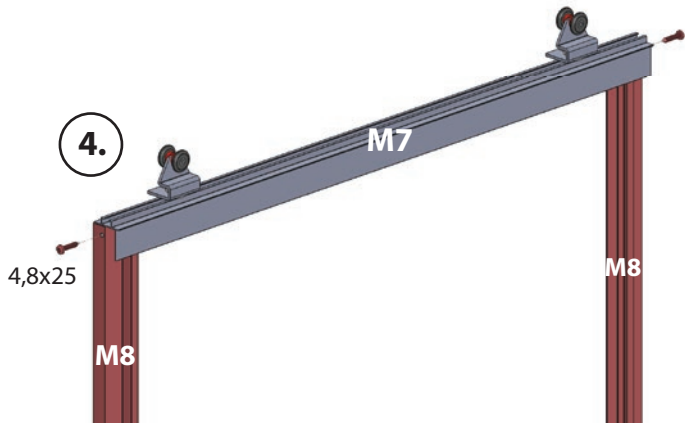
2.



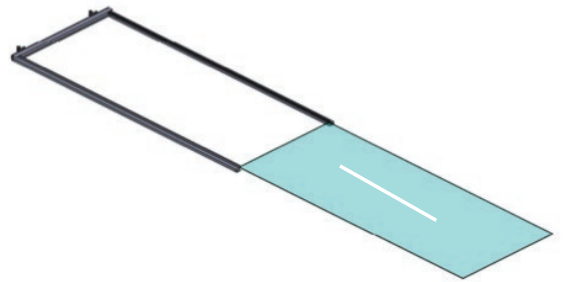
3.



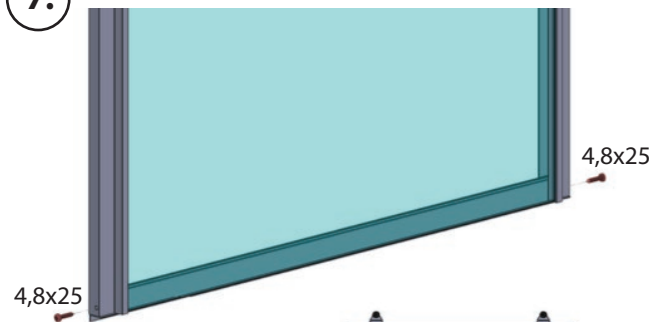
4.



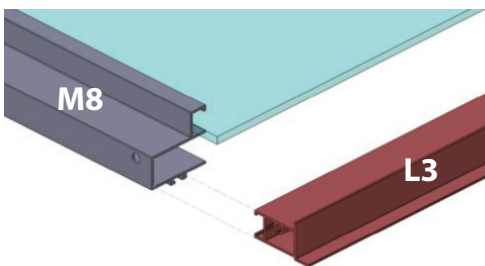
5.



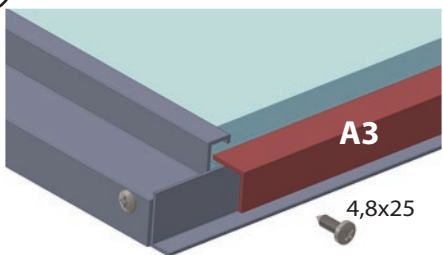
7.



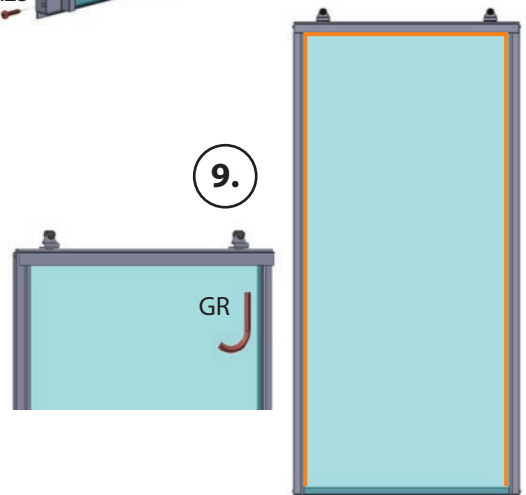
6.



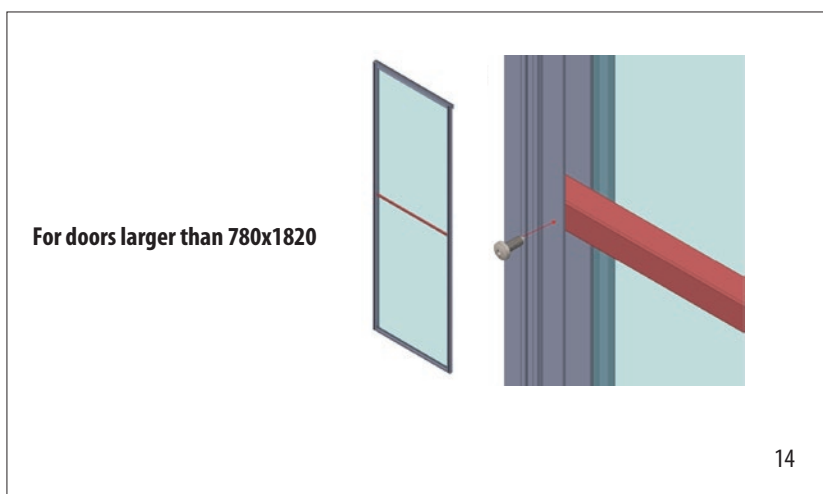
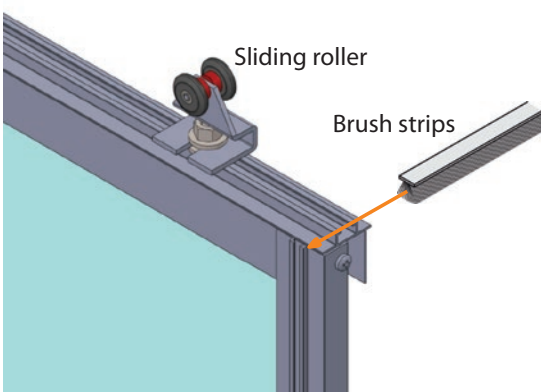
8.

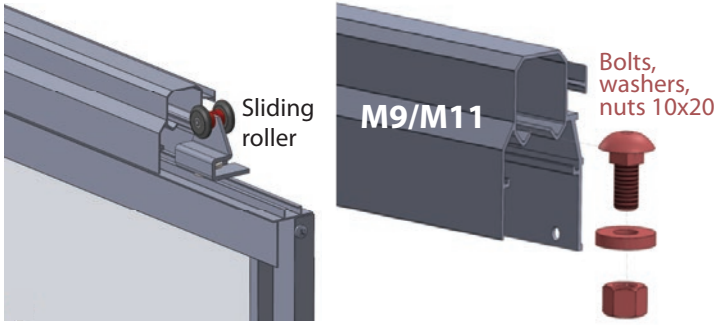


9.

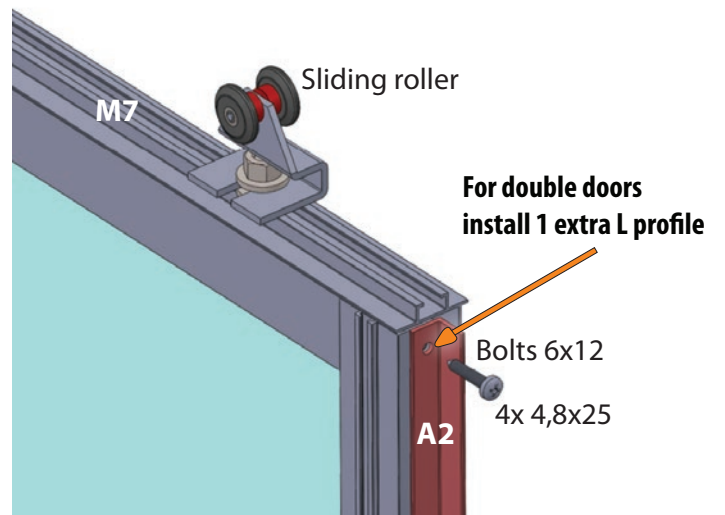
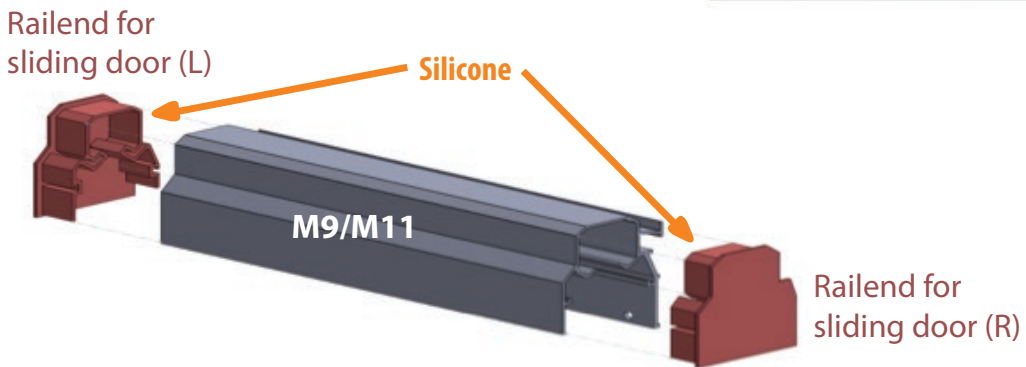
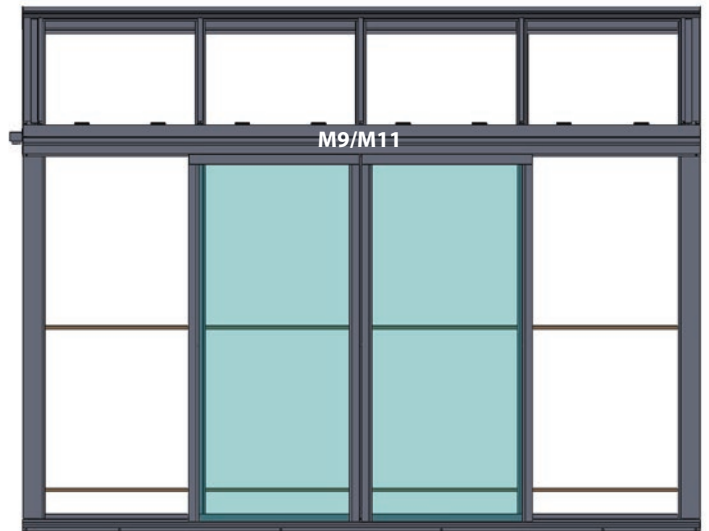
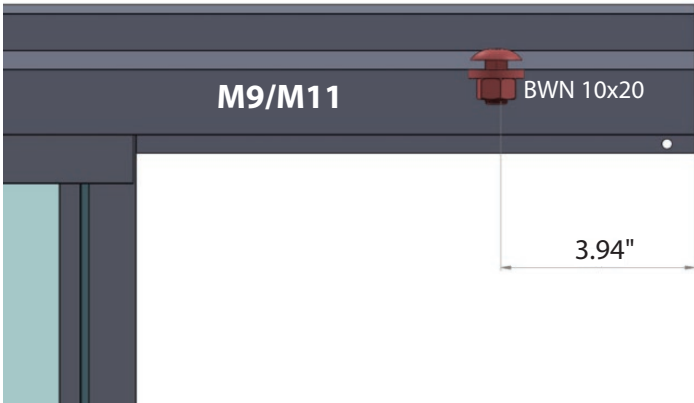


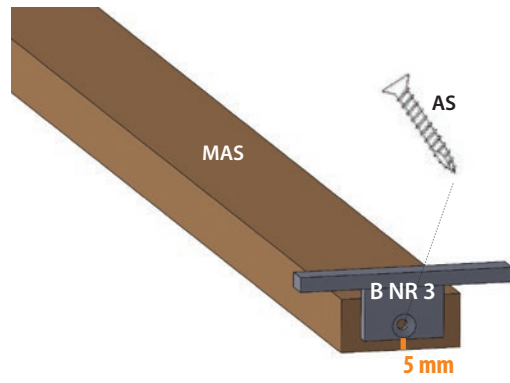
10.



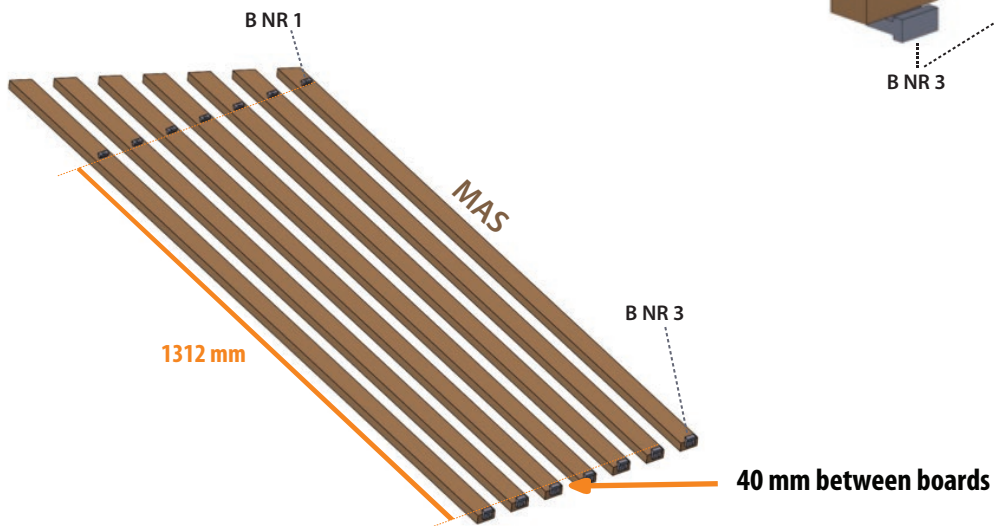
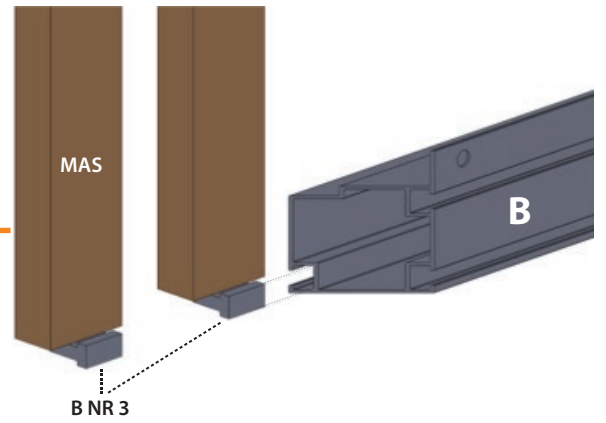
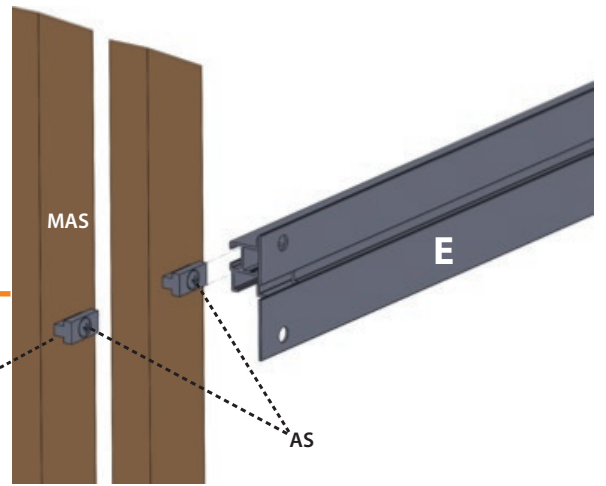
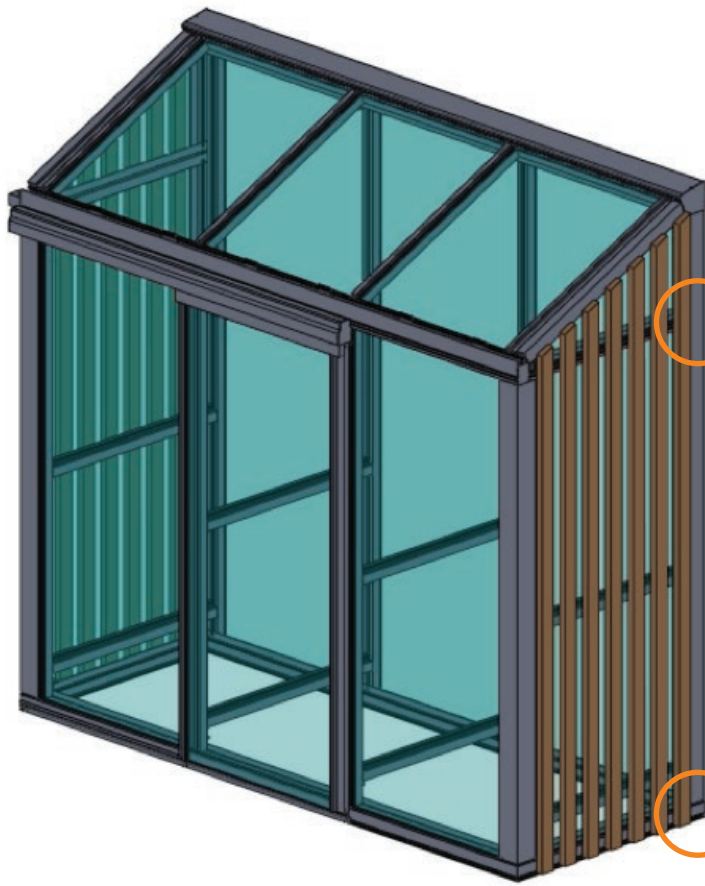


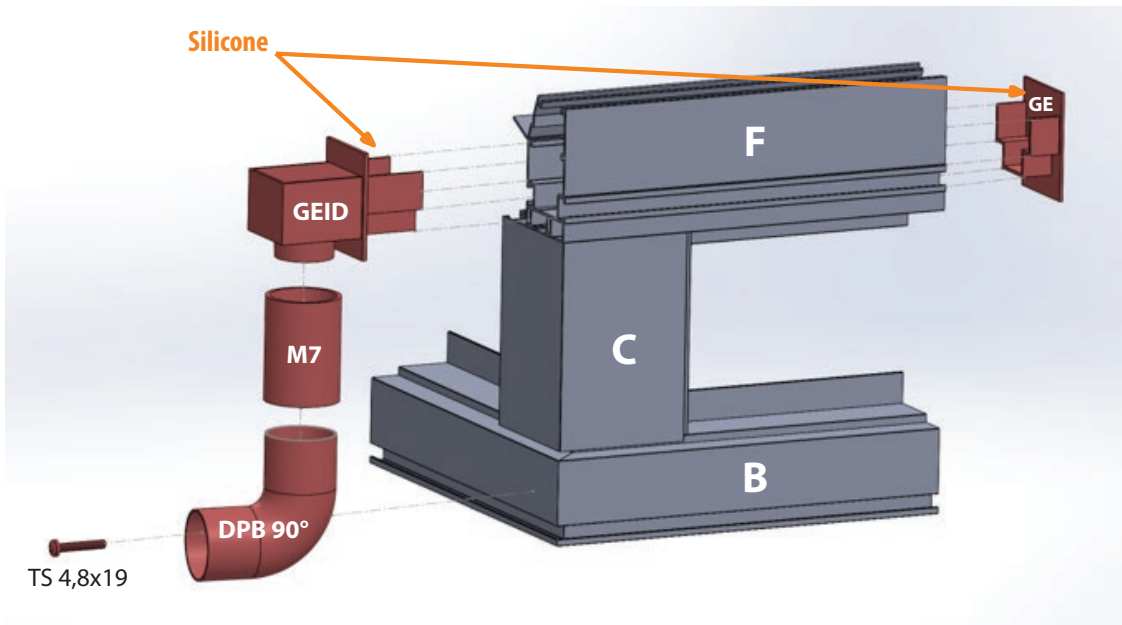
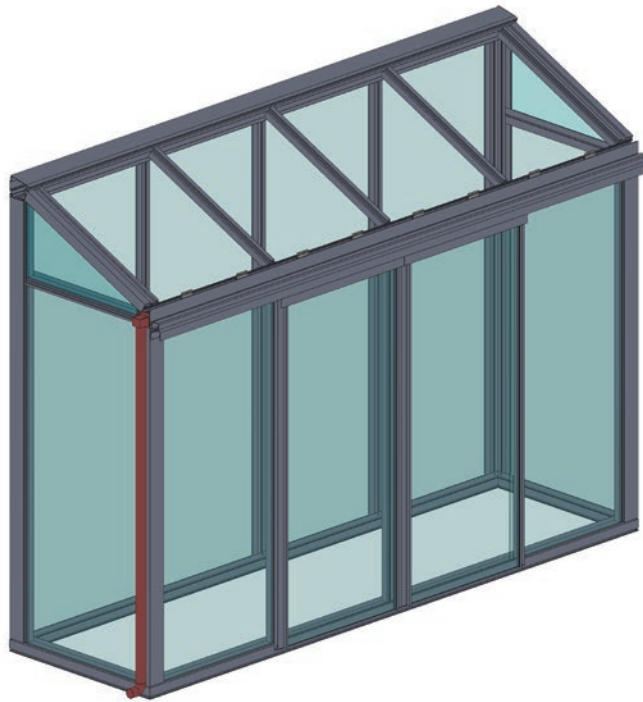
Insert doors into door profile and add stoppers





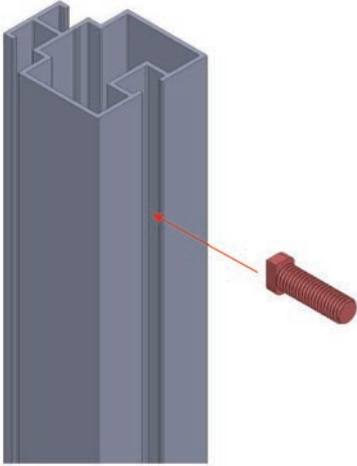
Use the screw for installation



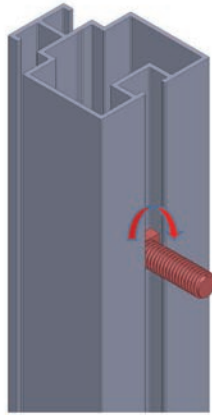


ACCESSORY MOUNTS

1. Insert the special screw into the profile



2. Turn it 90°



3. Attach the accessory and secure it with a nut

