



**MINI**

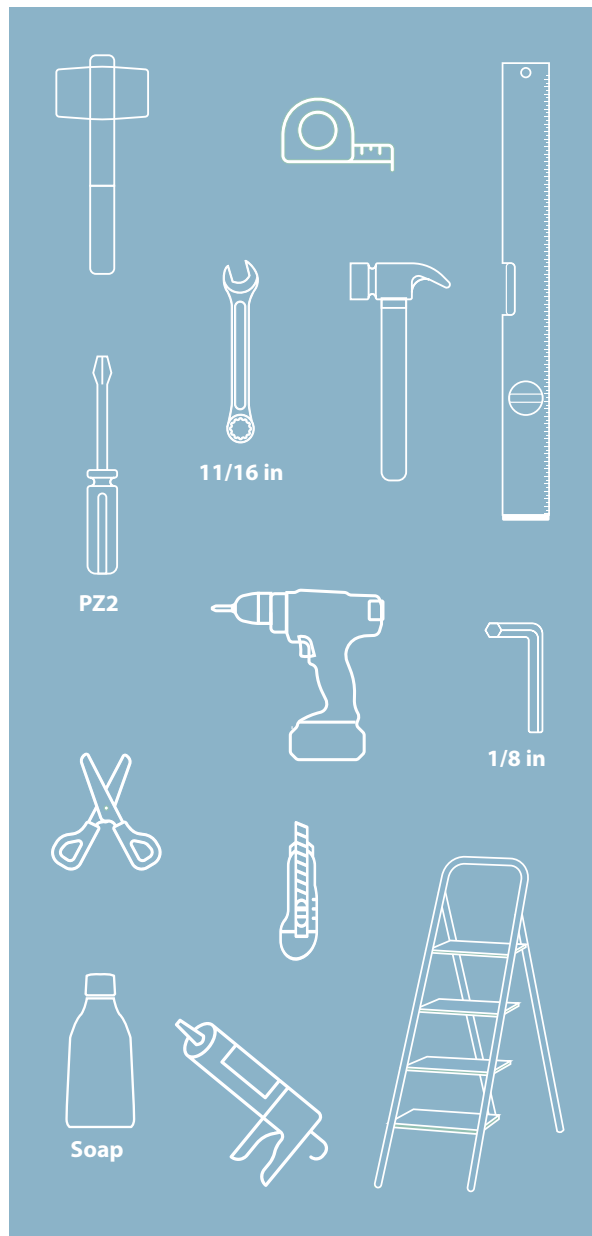
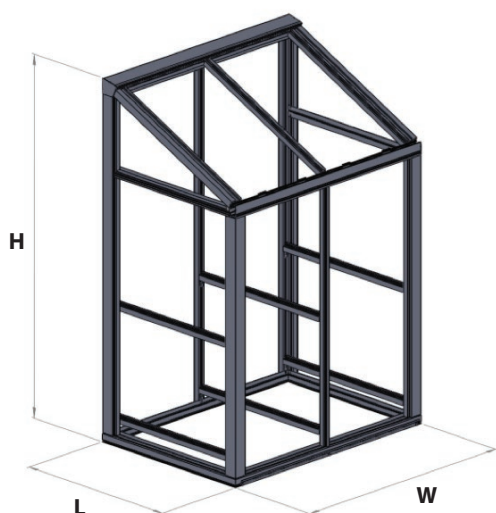


# ASSEMBLY INSTRUCTIONS

**Important:** Read the entire instruction before starting the assembly. Strictly follow all the instructions provided in this manual and carry out all of the stages of the installation process in the specified order. Failure to comply with these rules may lead to incorrect fitting of the decorative laths and the occurrence of visual defects. The warranty certificate is void if it is found that damage has been caused by incorrect installation. The base on which the product is to be installed must be flat and without significant differences in level. The product must be attached to the base. Note: Use lube for all screws to prevent them from breaking. Make sure that the greenhouse pallet cannot tip over and cause accidents. Make sure that the ground where you put the pallet is in level. Installing two ground spikes to the pallet will prevent it from tipping. Do not remove all the wooden rules inside the pallet. Only remove the ones that are necessary to access the part you need.

Installation requires at least 2 people.

**NECESSARY TOOLS** – rubber mallet, measuring tape, spirit level, PZ2 screwdriver, wrenches 3/8 in, 1/2 in, and 11/16 in, cordless drill, 1/8 in hex key, utility knife, soap for rubber when oil is not enough, silicone gun and silicone, ladder.



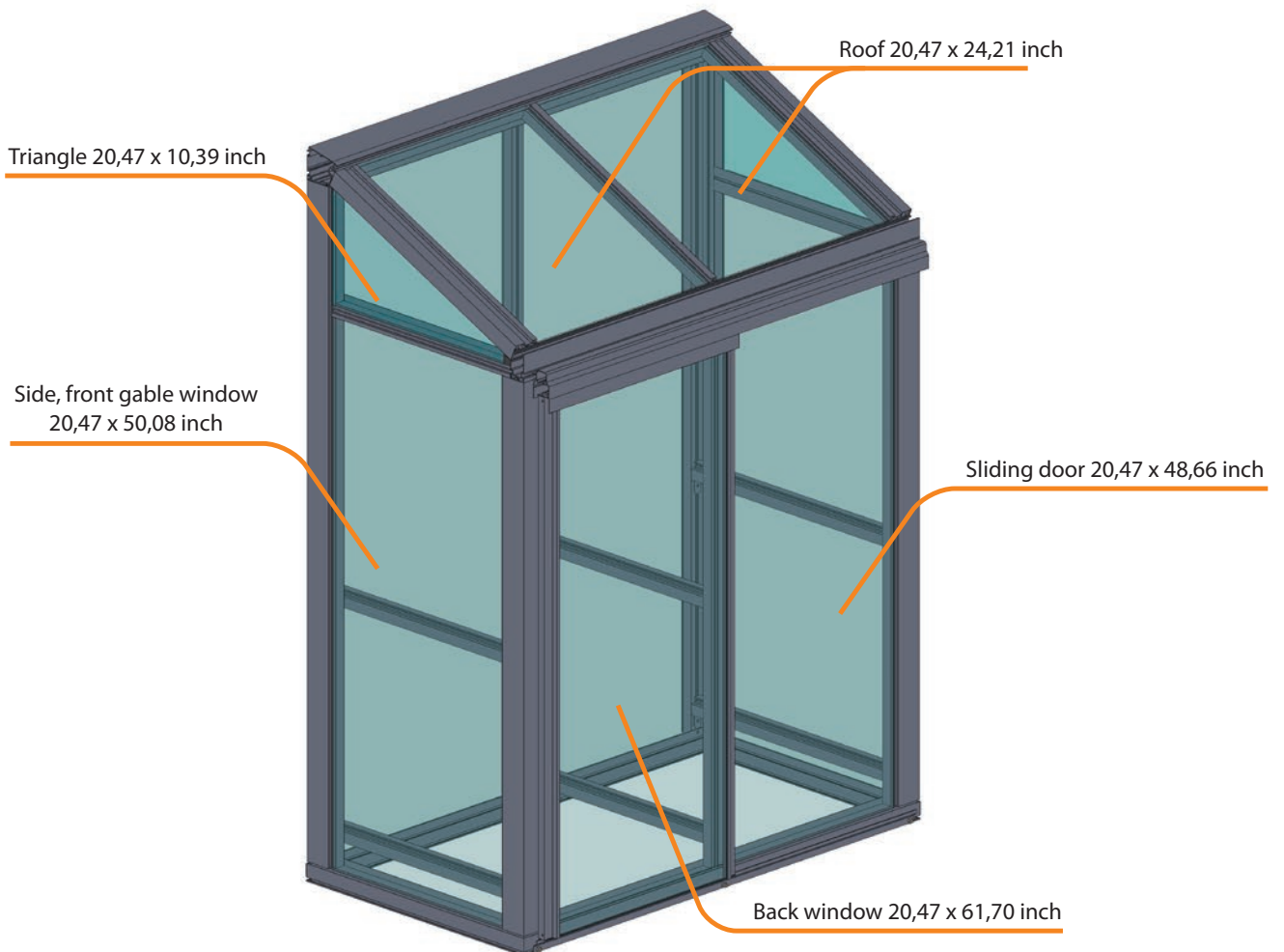
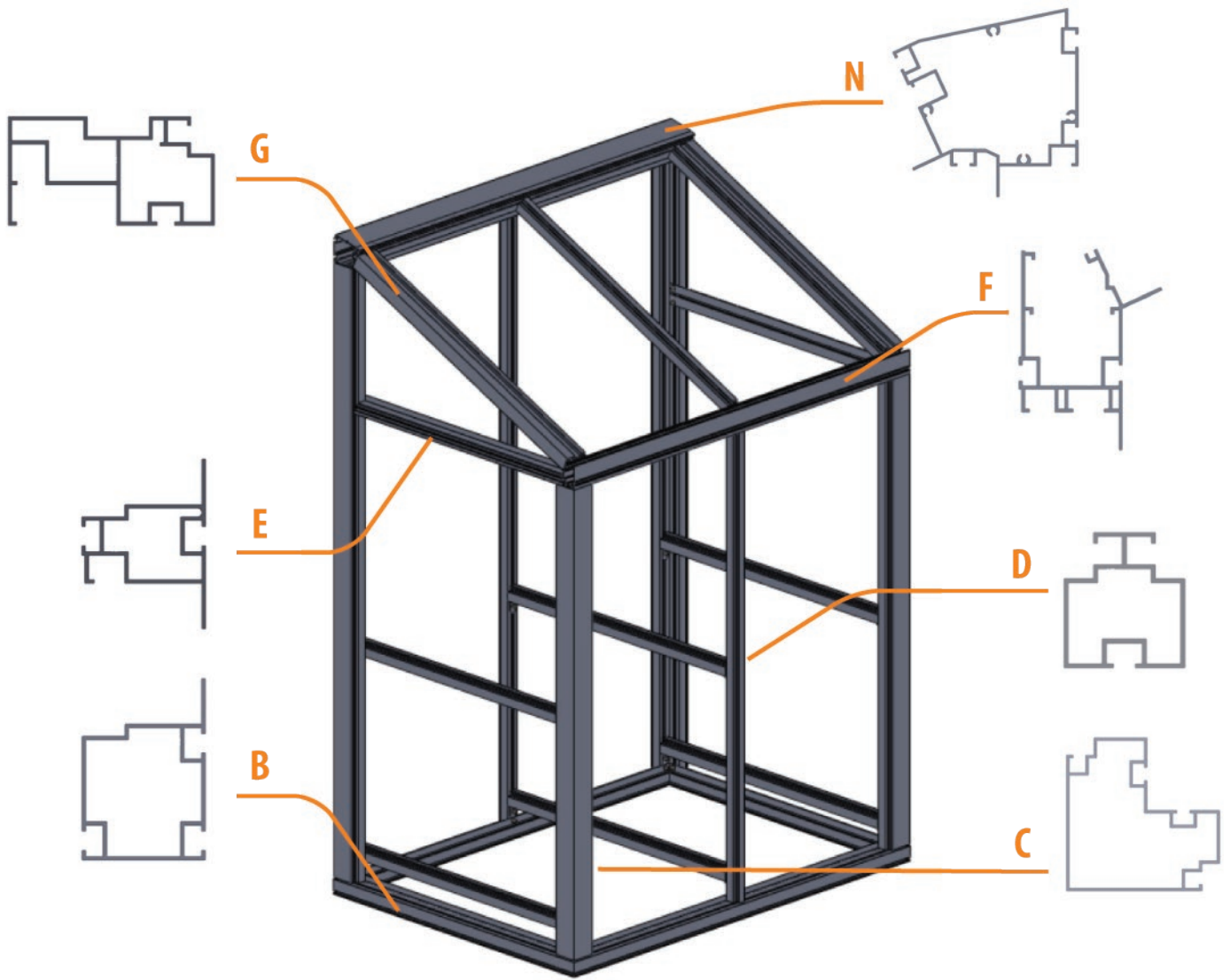
L (in)	W (in)	H (in)	Door / Side height (in)	Area (ft <sup>2</sup> )
25.91"	47.24"	66.02"	66.02"	7.97 ft <sup>2</sup>
	68.62"	66.02"	66.02"	11.52 ft <sup>2</sup>
	90.00"	66.02"	66.02"	15.07 ft <sup>2</sup>

## WIND WARNING

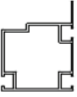


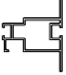
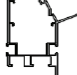





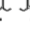







The manufacturer assumes no responsibility for damage caused by strong winds or storms. The structure must be secured according to the fastening options specified in the assembly instructions. During storms, all doors and windows must be closed.








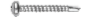








## SNOW WARNING

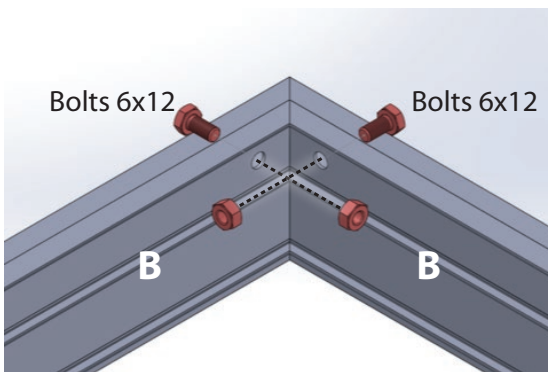
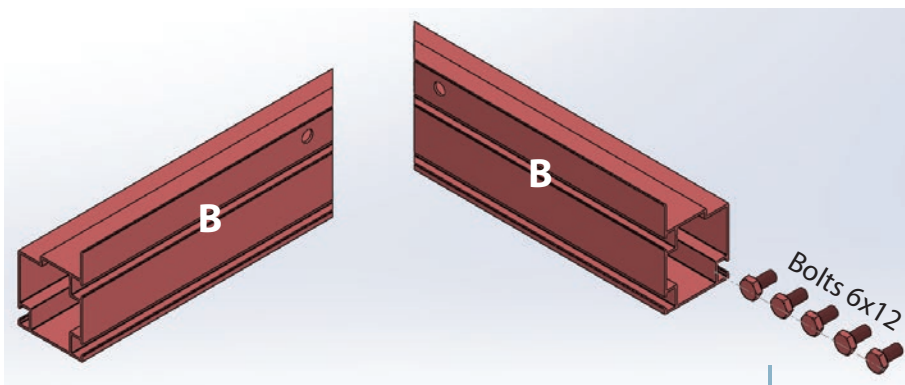
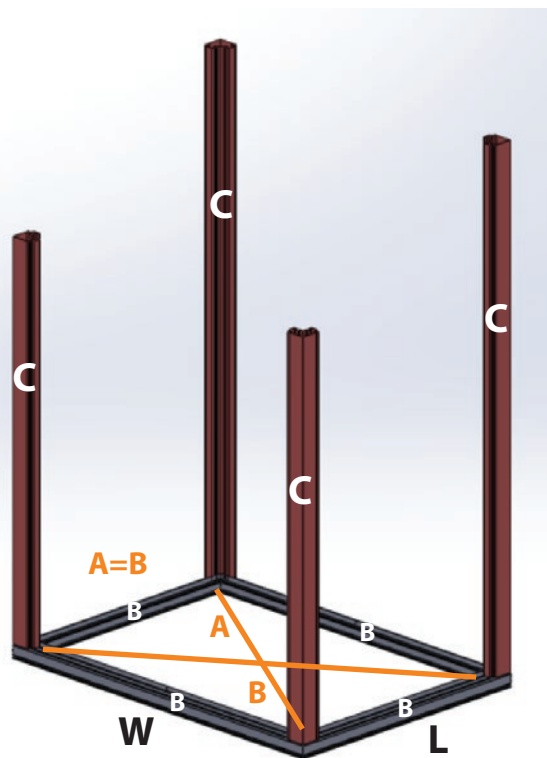
Snow must be removed regularly from the roof. Excess snow load may cause structural failure. Damage caused by snow overload is not covered by warranty.



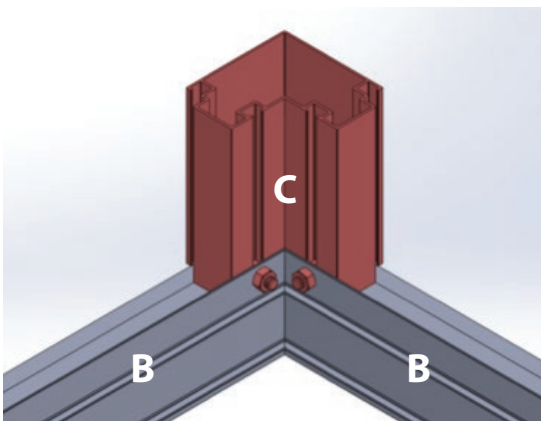
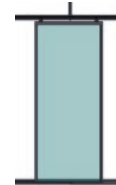
# CLASSIFICATION OF PARTS

Part description, code and size		47,24x25,90	68,62x25,90	90x25,90
		Size (inch)		
	B14	47,24	2	
	B19	25,91	2	2
	B16	68,62		2
	B17	90		2
	C19	49,72	2	2
	C21	61,26	2	2
	D19	22,76	6	8
	D17	23,78	1	2
	D15	49,72	1	2
	D18	61,26	1	2
	E9	21,34	1	1
	E10	21,34	1	1
	F9	47,17	1	
	F10	68,54		1
	F11	89,92		1
	G4	23,78	2	2
	N8	47,17	1	
	N9	68,54		1
	N10	89,92		1
	L4	22,64	1	1
	M7	22,64	1	1
	M8	48,78	2	2
	M9	45,28	1	1
	M10	45,28	1	1
	M11	89,92	0	0
	M12	89,92	0	0
	M13	49,41	1	1
	ME5	1.38 x 1.38	12	16
	ME8	2	4	6
	A2	0.59 x 0.59 x 48.78	0	0

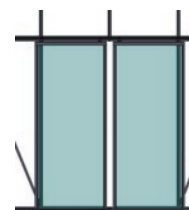
	Glazing rubber (ft)	98	131	164
	Brush strip (inch)	100	100	200
	Down pipe bend 90° - Ø1,37 inch	1	1	1
	Sliding roller	2	2	4
	Bolts 6x12	50	60	70
	Nuts 6x1	50	60	70
	Bolts, washer, nuts 10x20	2	2	2
	Tapping screws 4,8x25	4	4	8
	Tapping screws 4,8x19	5	5	5
	Nut caps	50	60	70
	Gutter end incl. downpipe	1	1	1
	Gutter end	1	1	1
	Ridge end 1	1	1	1
	Ridge end 1	1	1	1
	Railends (L) sliding door	1	1	1
	Railends (R) sliding door	1	1	1
	PVC piece gable	2	2	2
Glass				
Side, front gable window 20,47 x 50,08 inch		2	2	2
Back window 20,47 x 61,70 inch		2	3	4
Sliding door 20,47 x 48,66 inch		1	1	2
Roof 20,47 x 24,21 inch		2	3	4
Triangle 20,47 x 10,39 inch		2	2	2

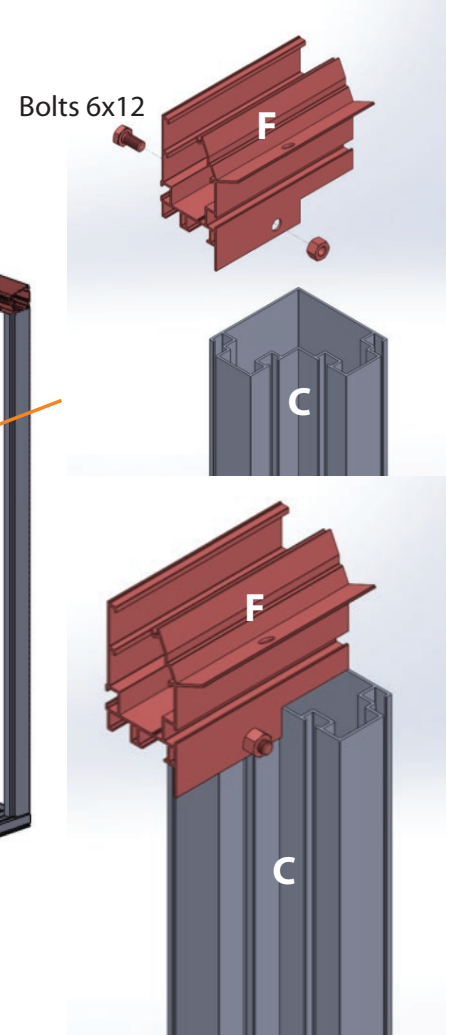
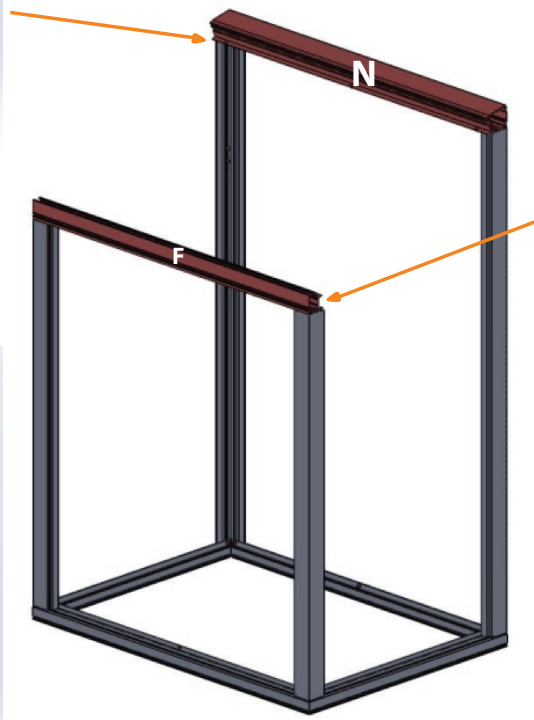
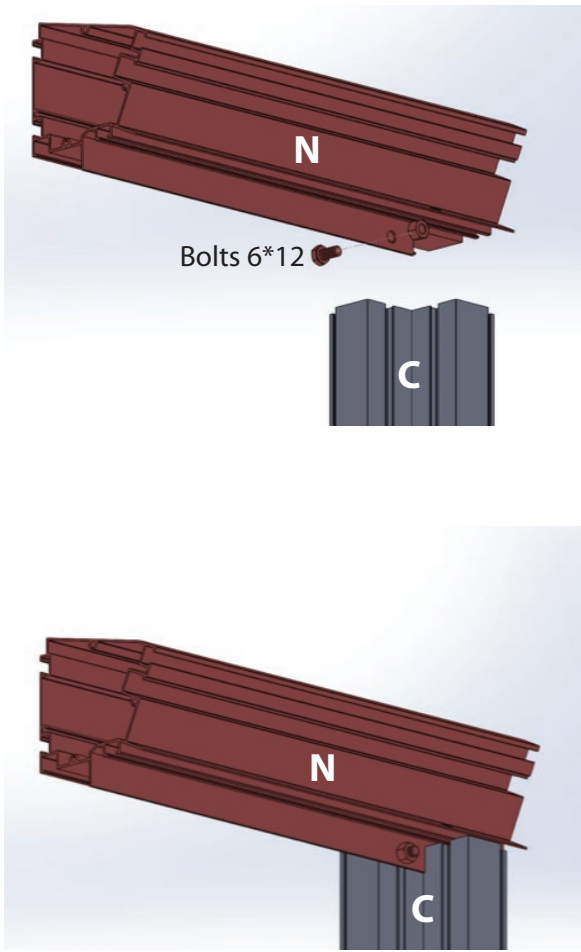


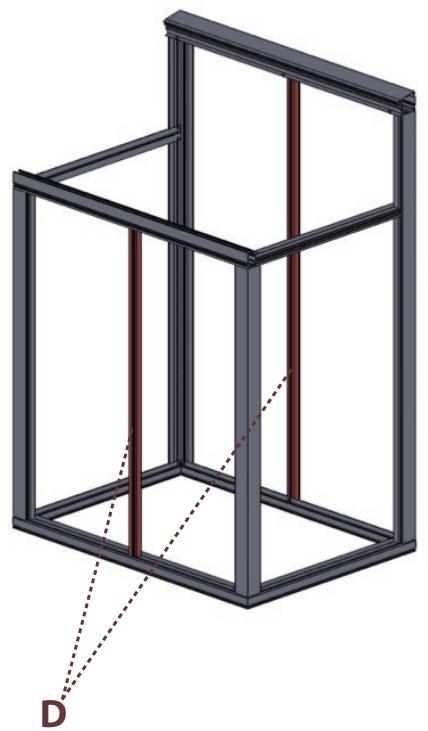
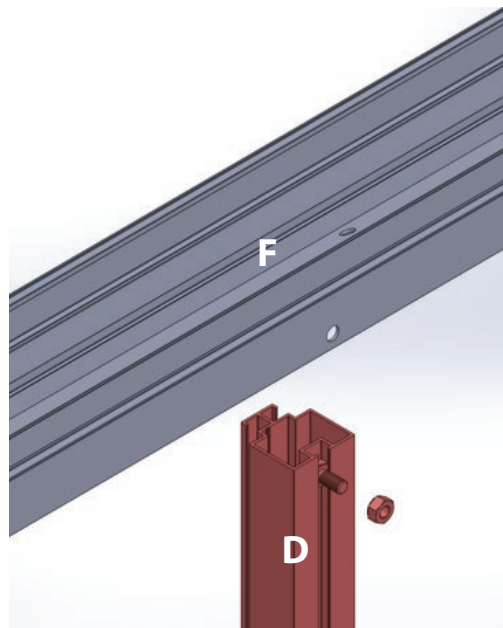
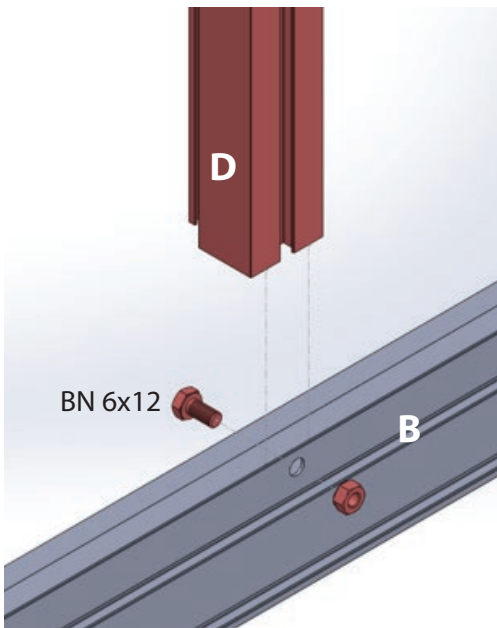
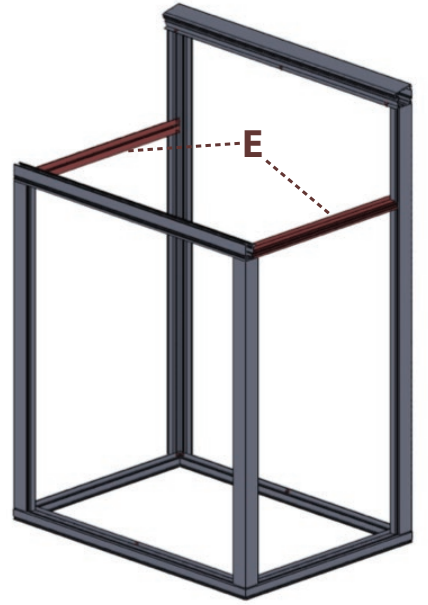
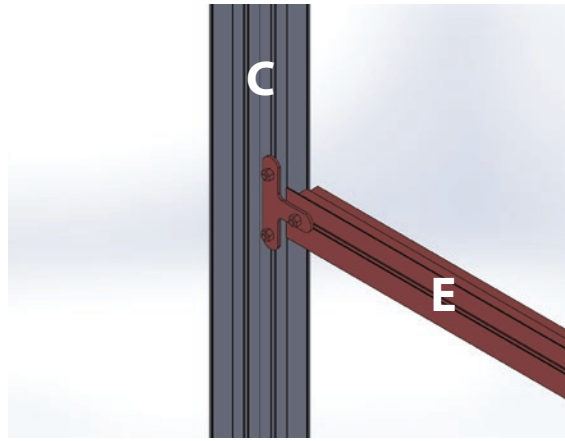
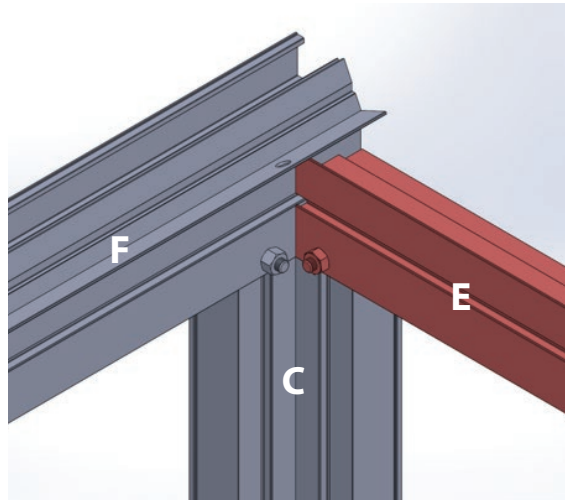
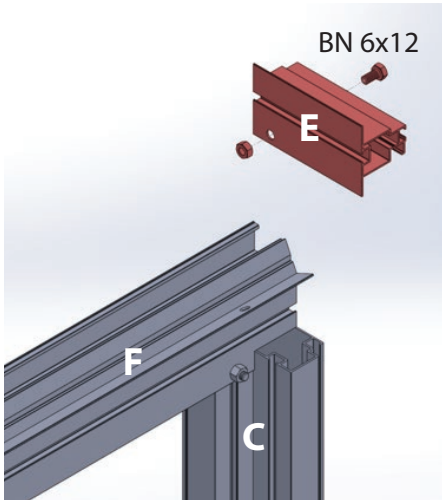
1 door = 5 x Bolts 6x12

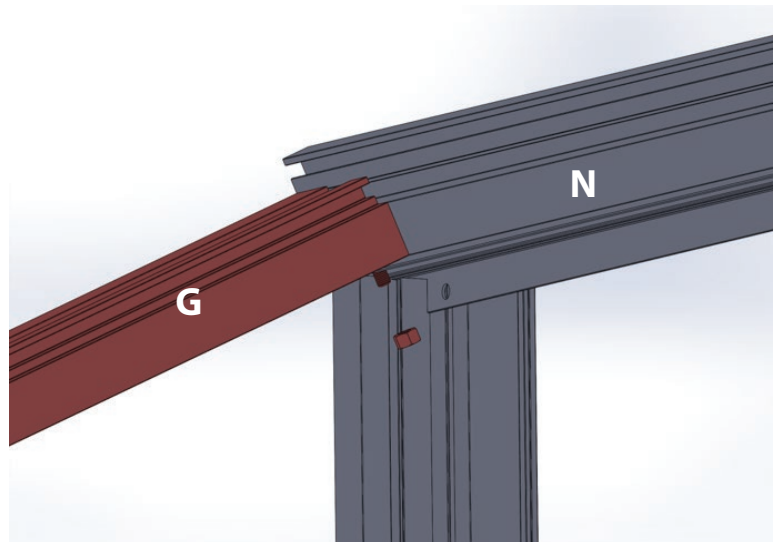
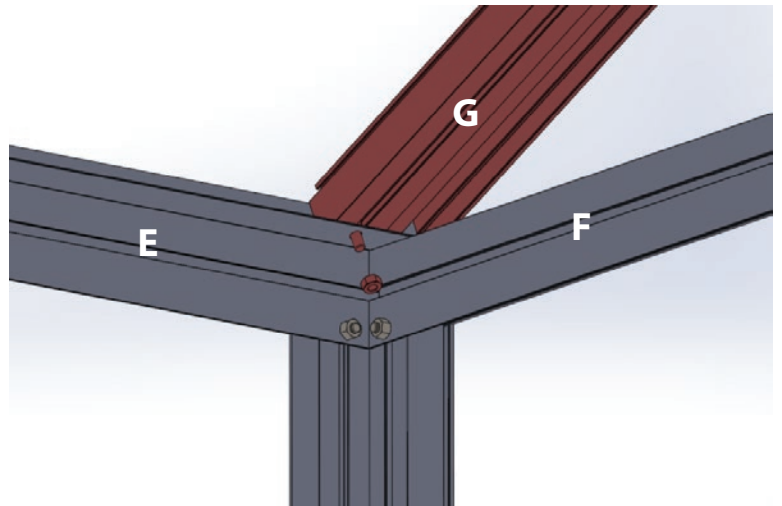
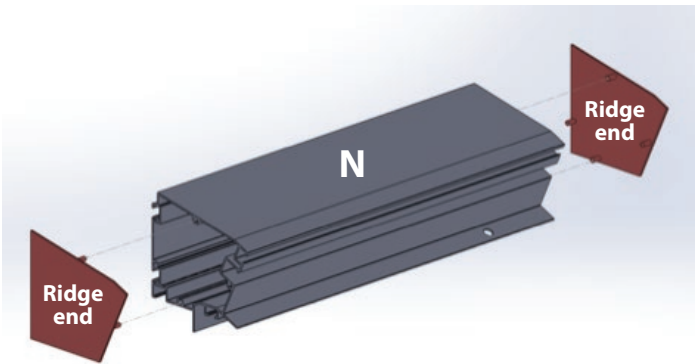
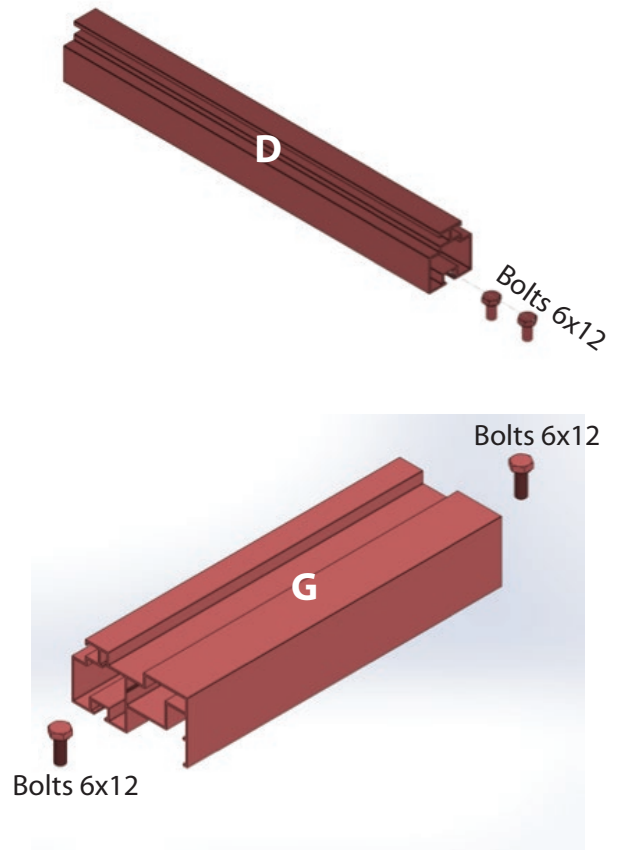
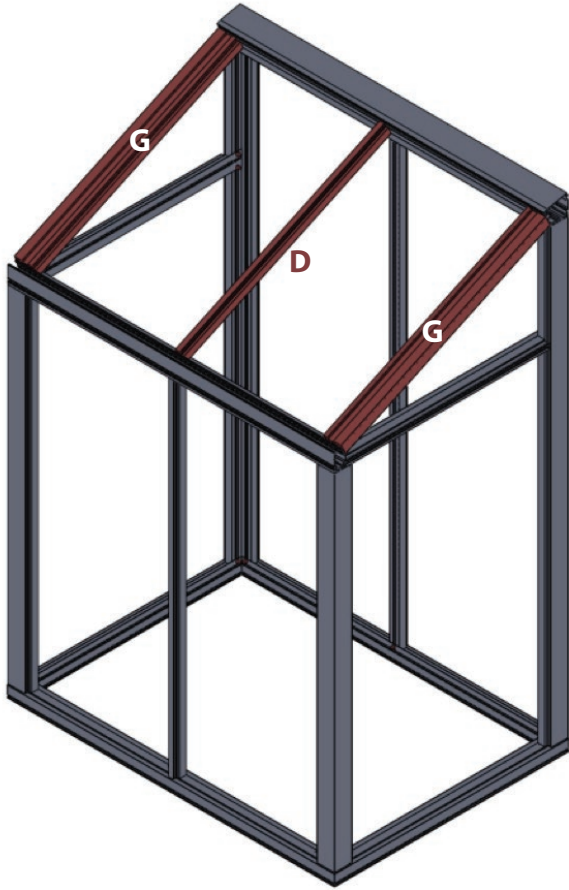


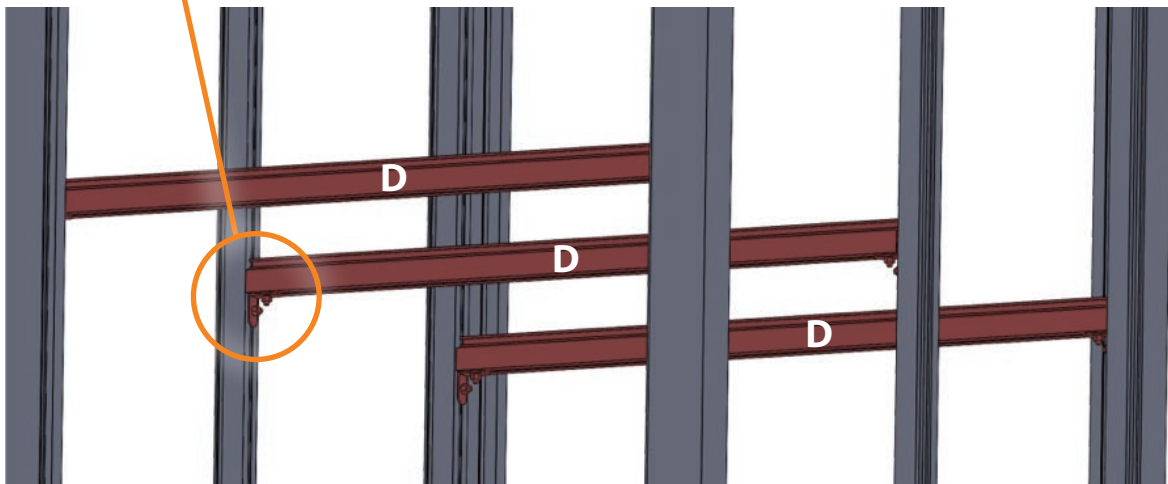
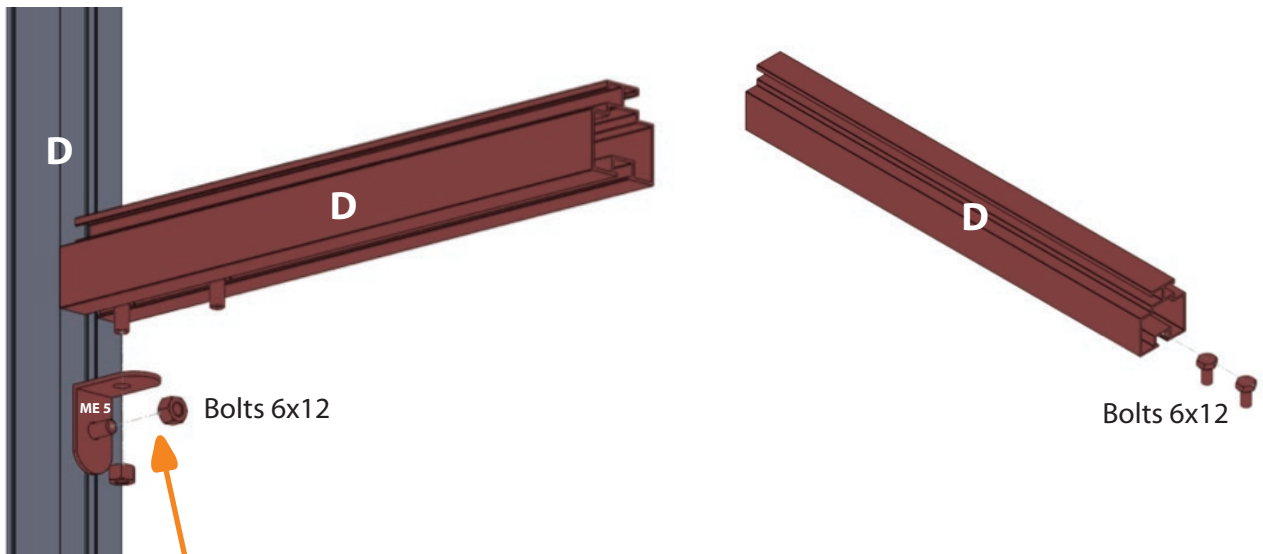
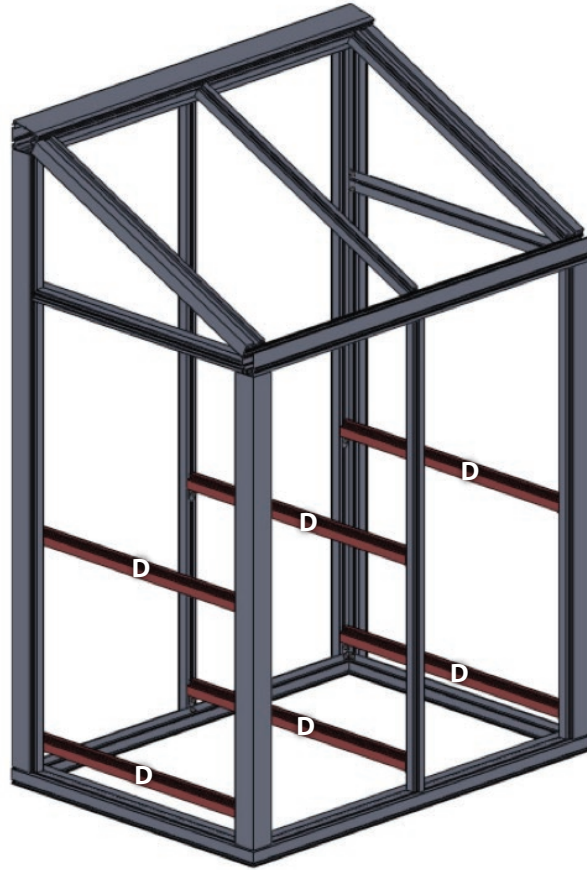
2 doors = 6 x Bolts 6x12

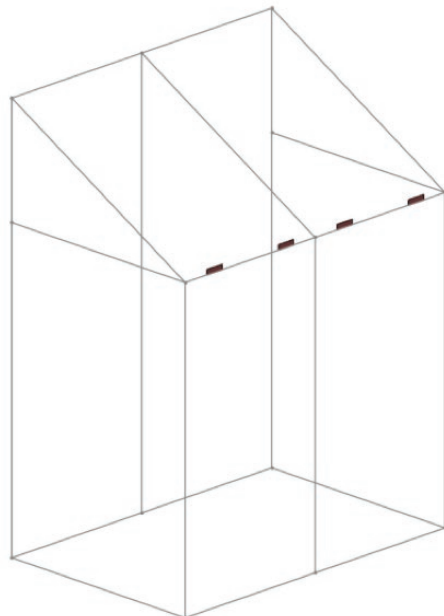
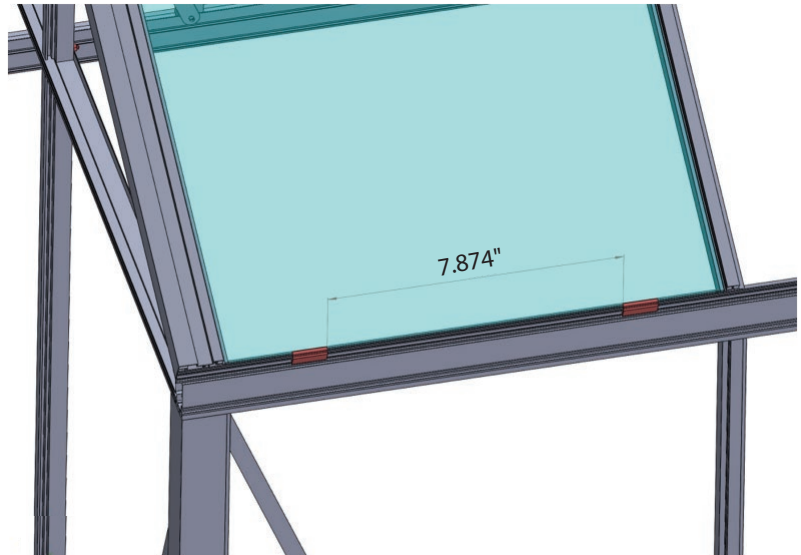
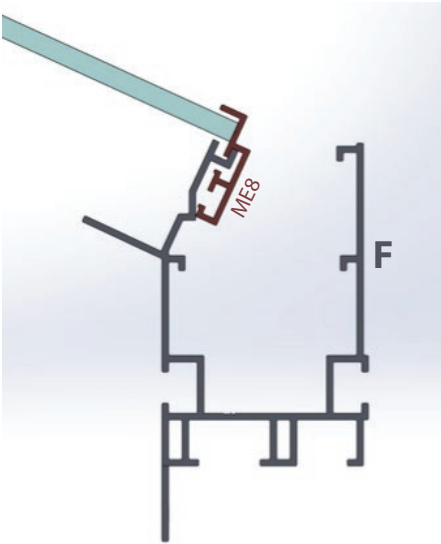
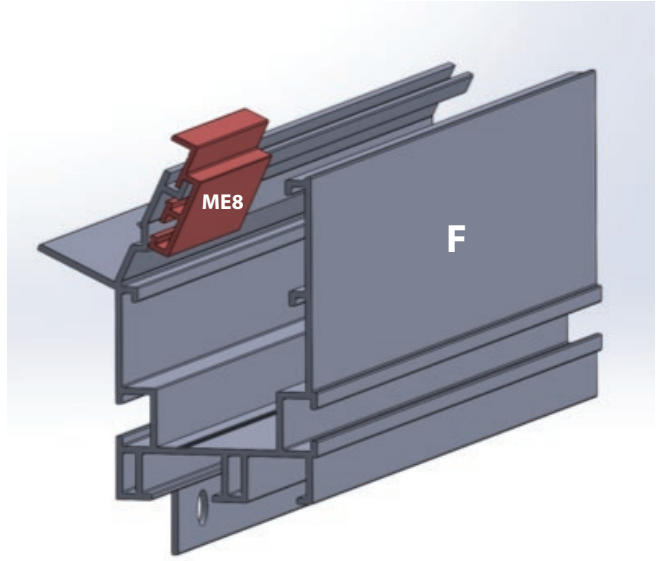
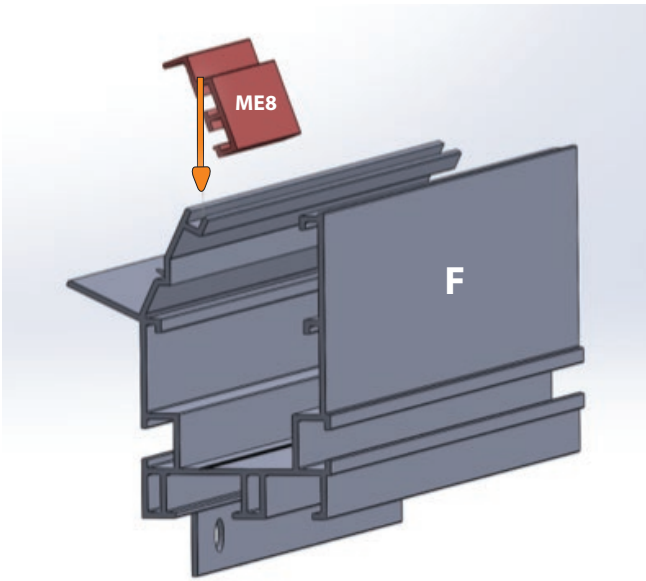


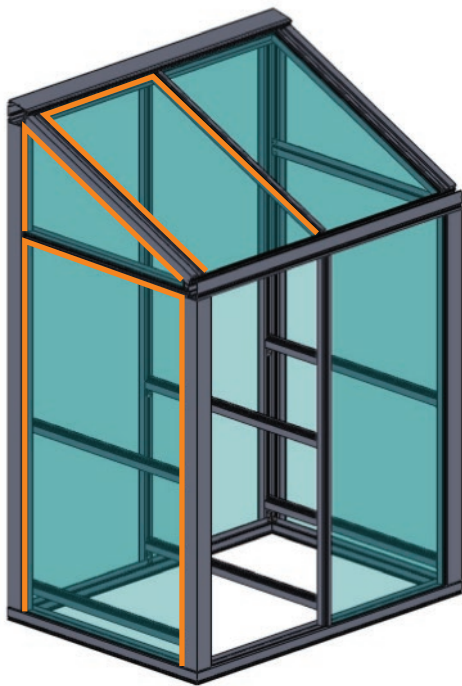
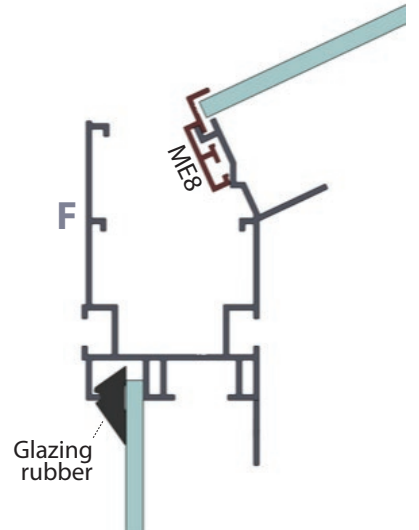
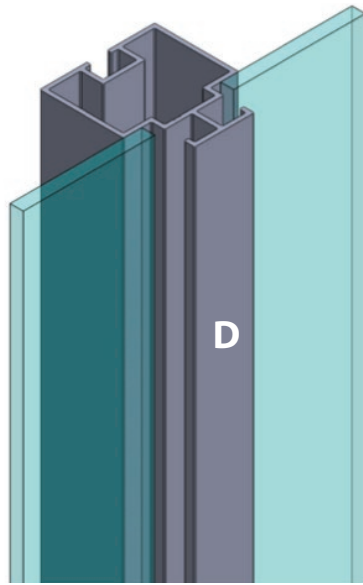




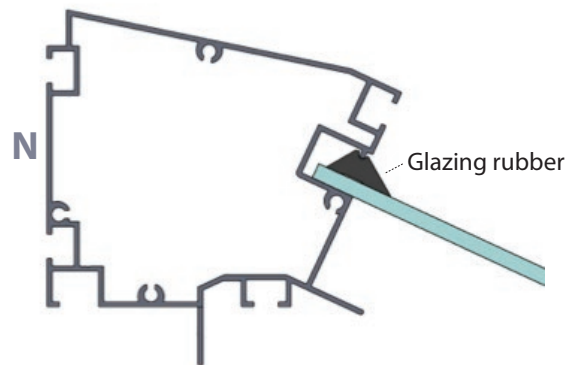
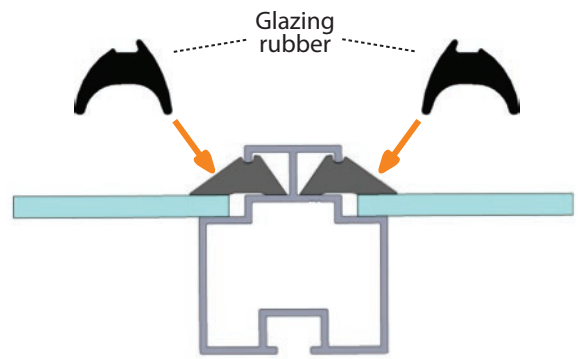


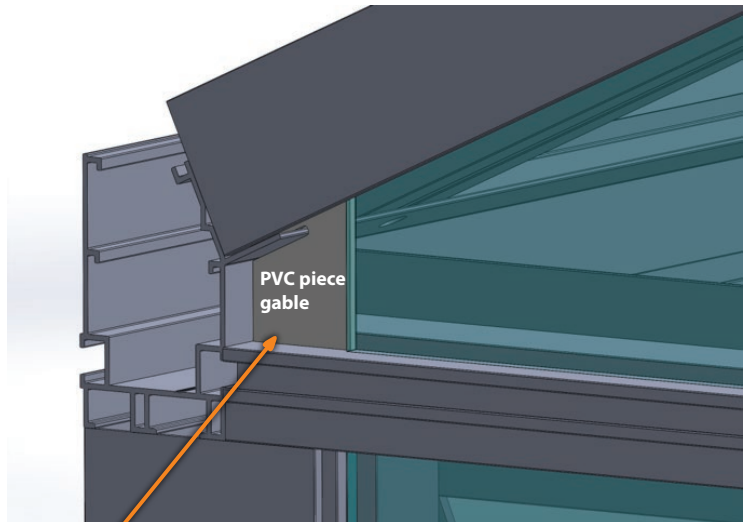
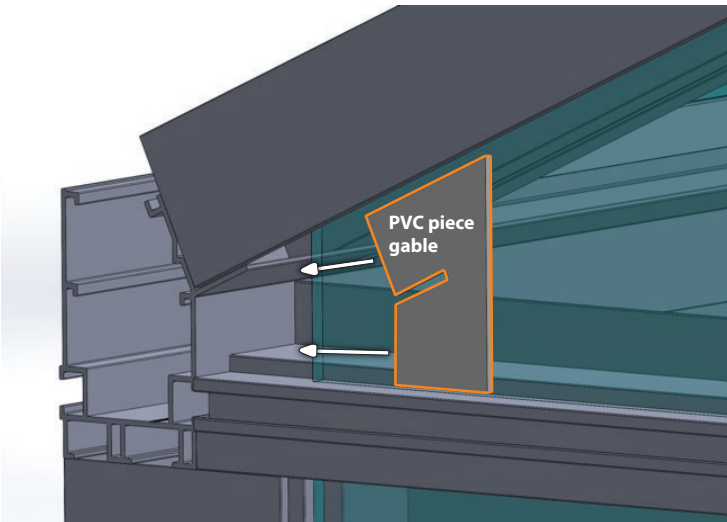
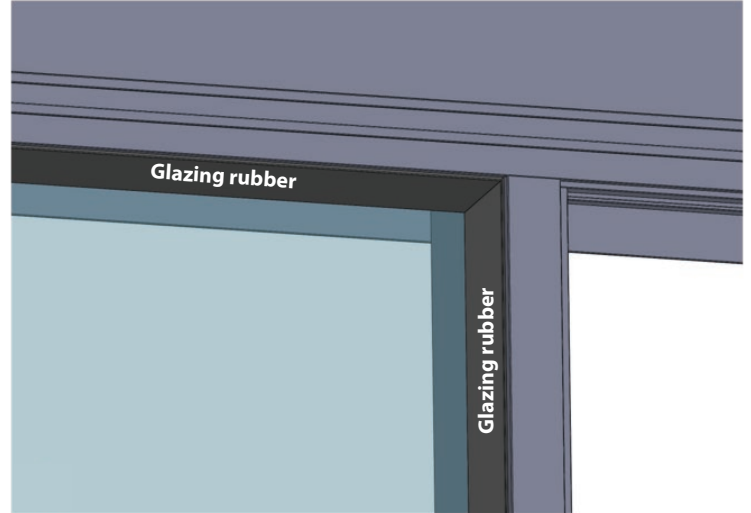
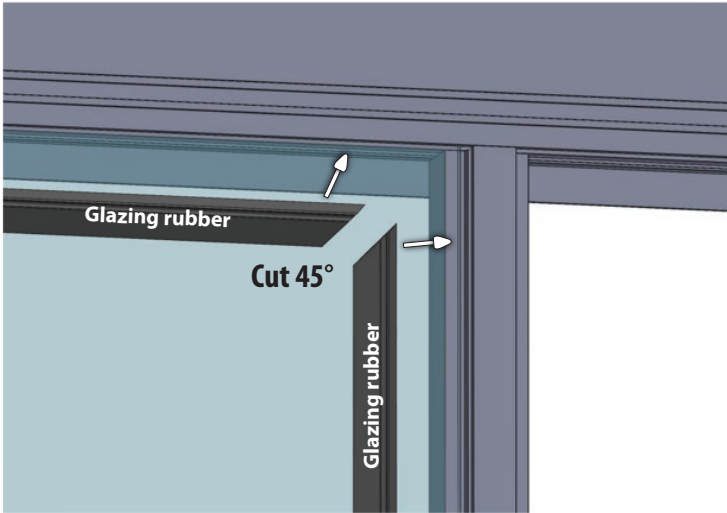






Rubber placement

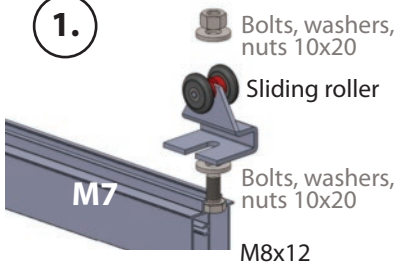




Silicone

# Sliding doors

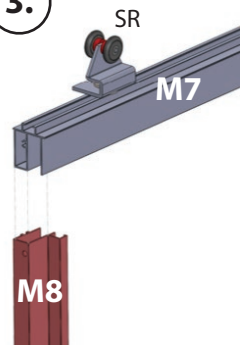
1.



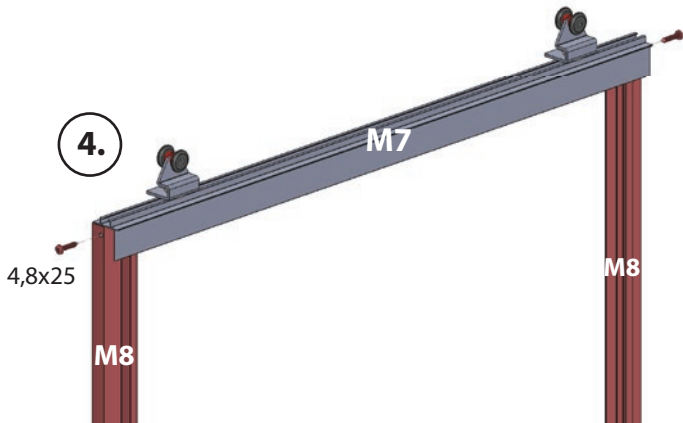
2.



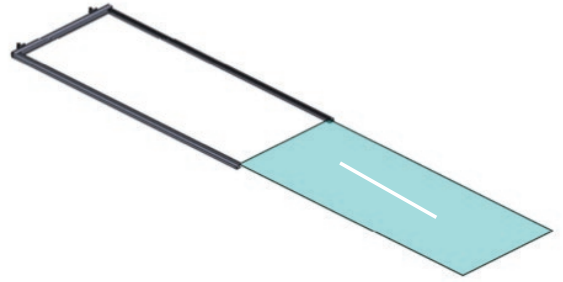
3.



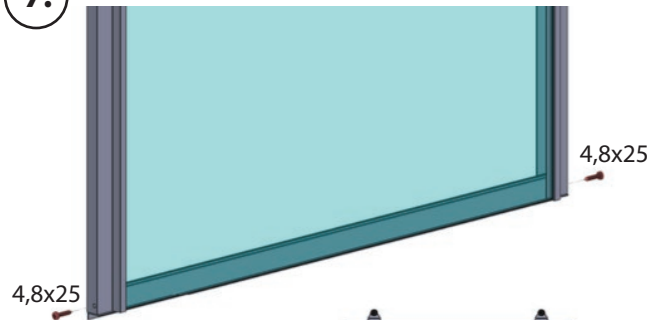
4.



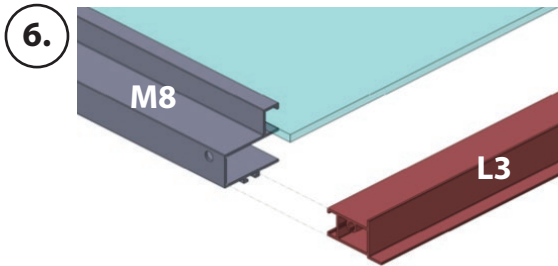
5.



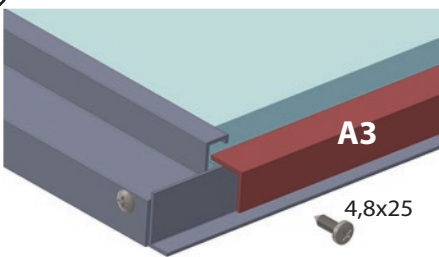
7.



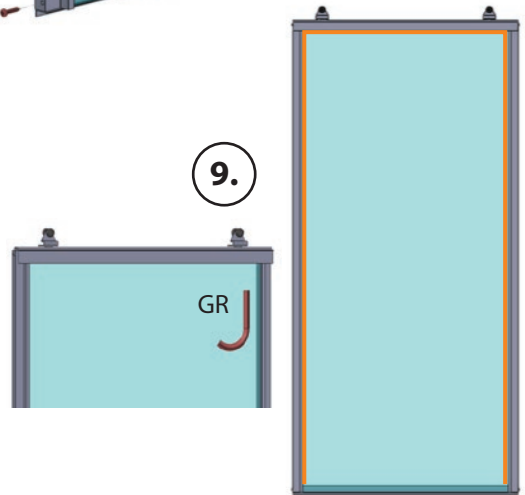
6.



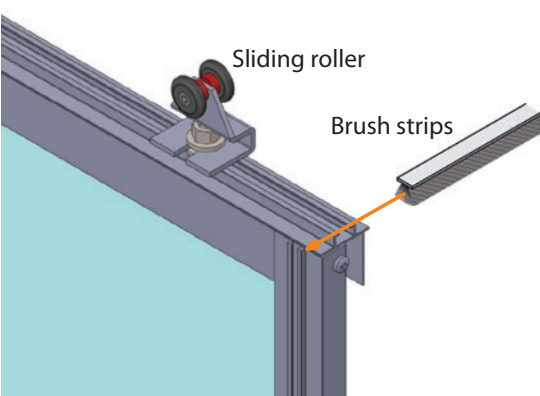
8.



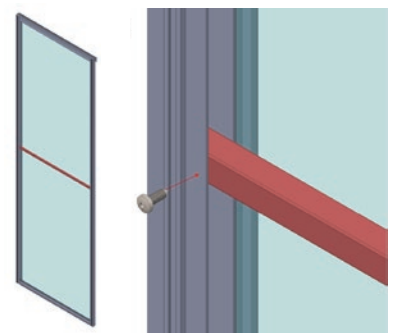
9.

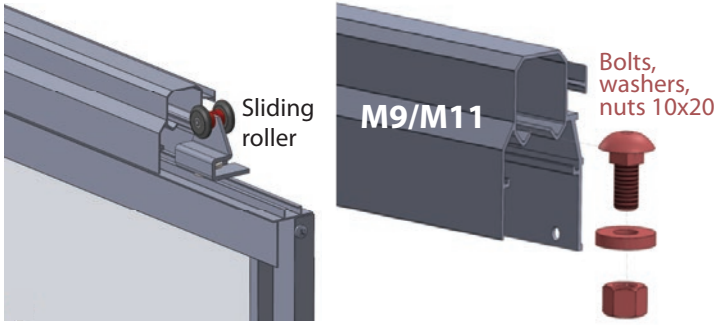


10.

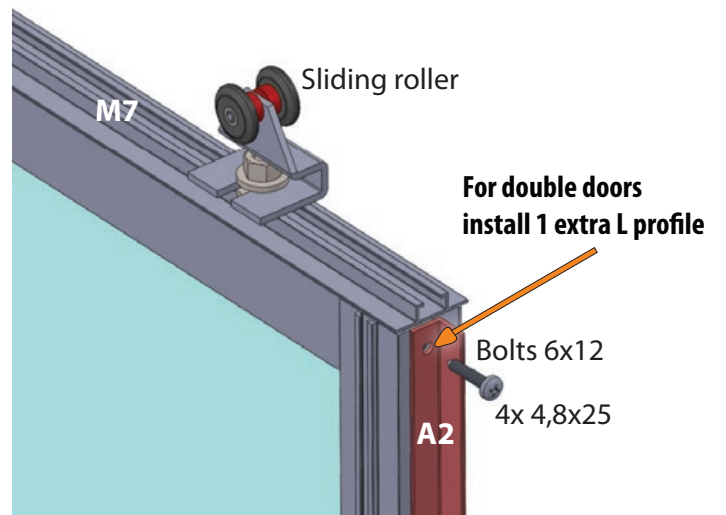
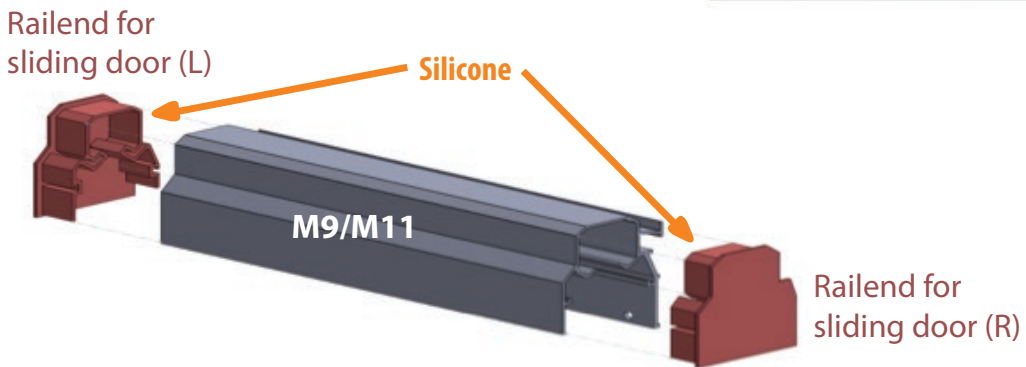
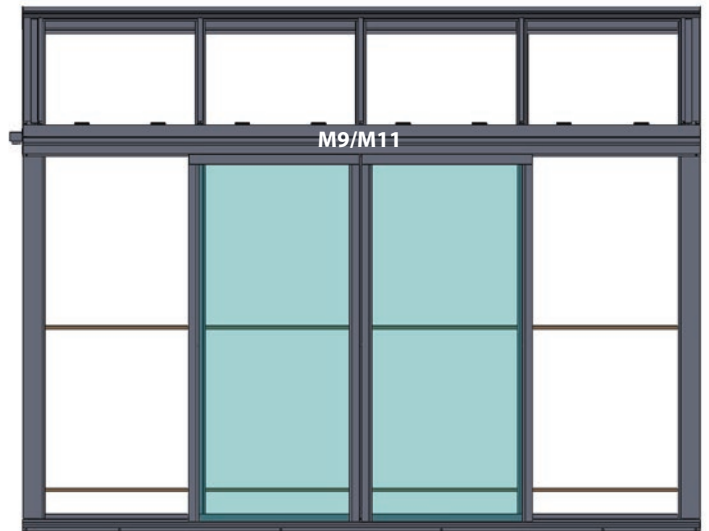
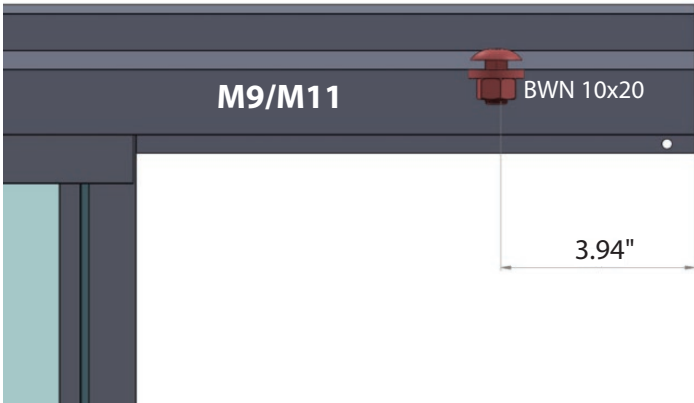


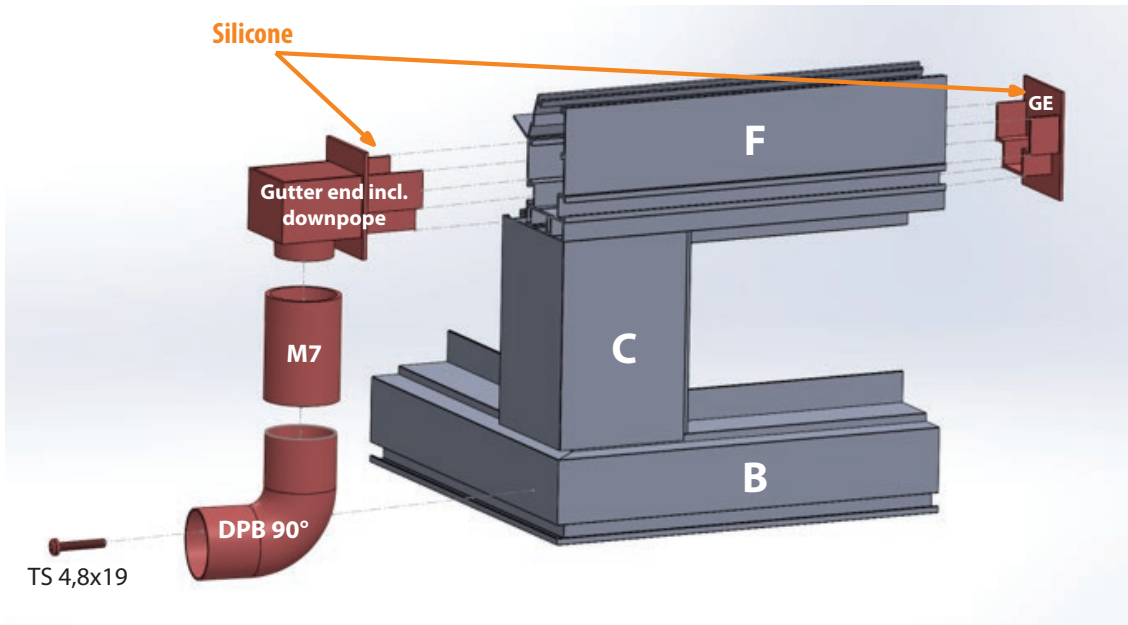
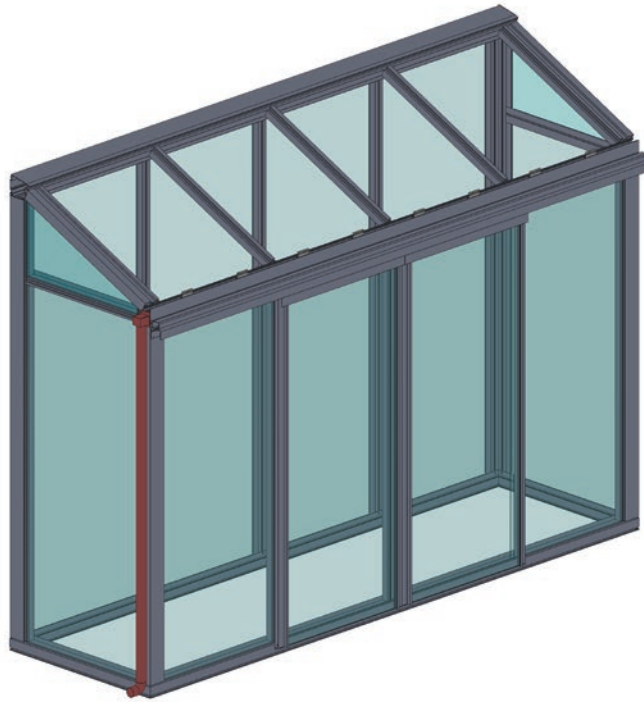
For doors larger than 780x1820





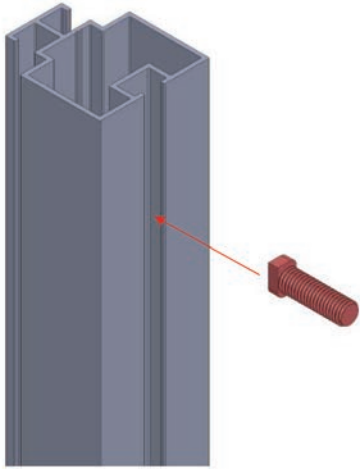
### Insert doors into door profile and add stoppers



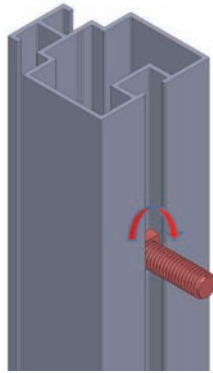


## ACCESSORY MOUNTS

**1. Insert the special screw into the profile**



**2. Turn it 90°**



**3. Attach the accessory and secure it with a nut**

