



PYRAMID

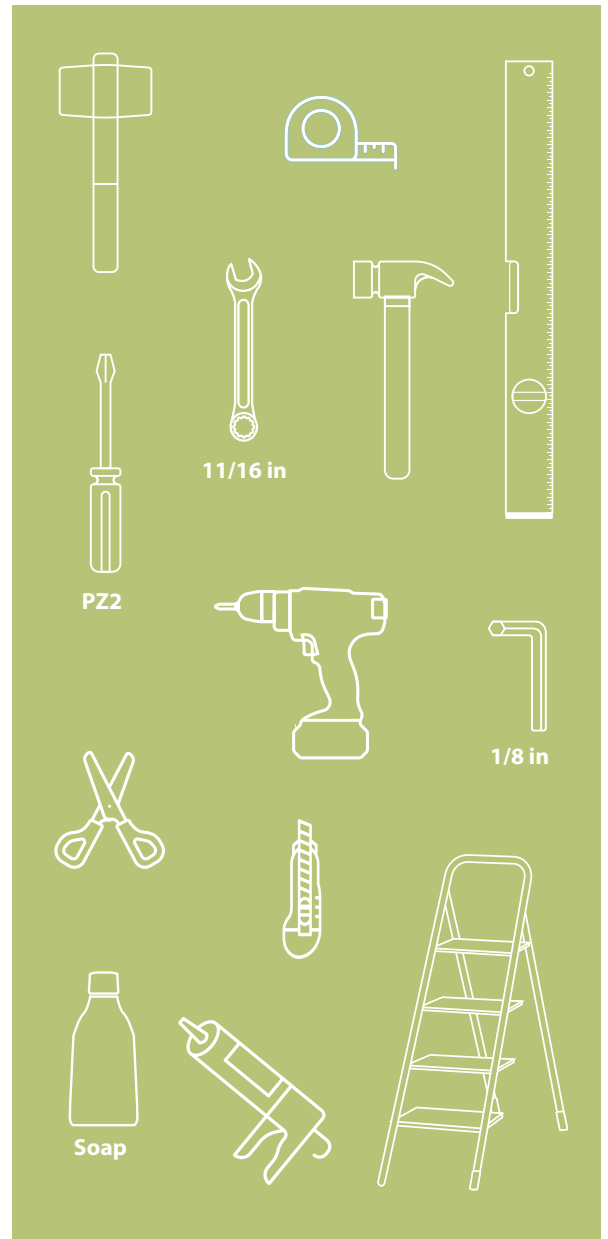
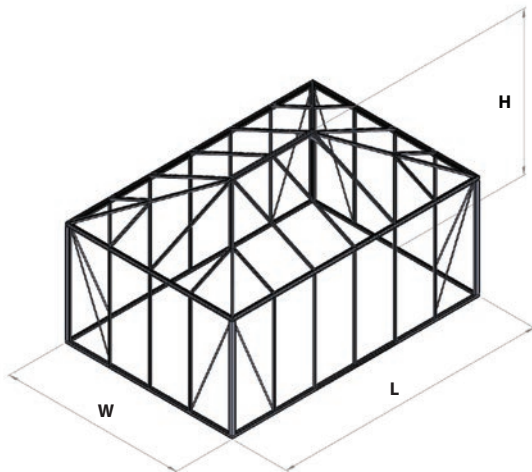


ASSEMBLY INSTRUCTIONS

Important: Read the entire instruction before starting the assembly. Strictly follow all the instructions provided in this manual and carry out all of the stages of the installation process in the specified order. Failure to comply with these rules may lead to incorrect fitting of the decorative laths and the occurrence of visual defects. The warranty certificate is void if it is found that damage has been caused by incorrect installation. The base on which the product is to be installed must be flat and without significant differences in level. The product must be attached to the base. Note: Use lube for all screws to prevent them from breaking. Make sure that the greenhouse pallet cannot tip over and cause accidents. Make sure that the ground where you put the pallet is in level. Installing two ground spikes to the pallet will prevent it from tipping. Do not remove all the wooden rules inside the pallet. Only remove the ones that are necessary to access the part you need.

Installation requires at least 2 people.

NECESSARY TOOLS – rubber mallet, measuring tape, spirit level, PZ2 screwdriver, wrenches 3/8 in, 1/2 in, and 11/16 in, cordless drill, 1/8 in hex key, utility knife, soap for rubber when oil is not enough, silicone gun and silicone, ladder.



W (in)	L (in)	H (in)	Side height (in)	Door / Side height (in)	Area (ft ²)
92.60"	92.60"	98.19"	76.38"	72.83"	59.52 ft ²
121.97"	121.97"	104.17"	76.38"	72.83"	103.33 ft ²
	151.34"	105.79"	76.38"	72.83"	128.20 ft ²
	180.71"	106.30"	76.38"	72.83"	153.06 ft ²
	212.60"	106.30"	76.38"	72.83"	180.19 ft ²
	240.16"	106.30"	76.38"	72.83"	203.44 ft ²

WIND WARNING

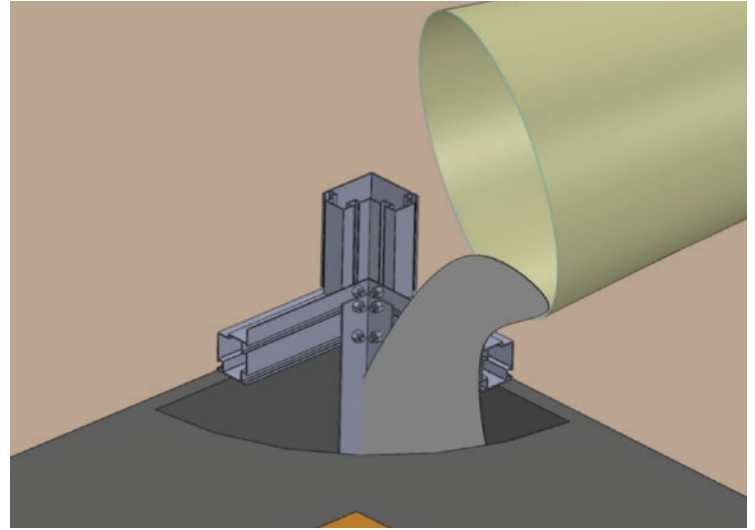
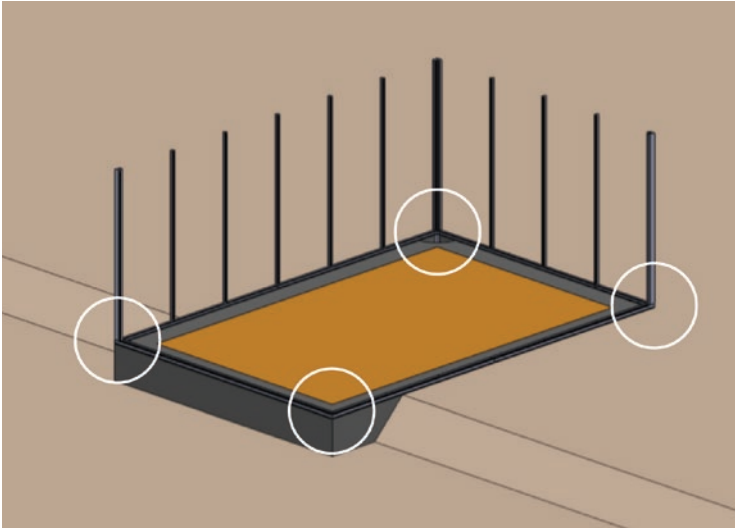
The manufacturer assumes no responsibility for damage caused by strong winds or storms. The structure must be secured according to the fastening options specified in the assembly instructions. During storms, all doors and windows must be closed.

SNOW WARNING

Snow must be removed regularly from the roof. Excess snow load may cause structural failure. Damage caused by snow overload is not covered by warranty.

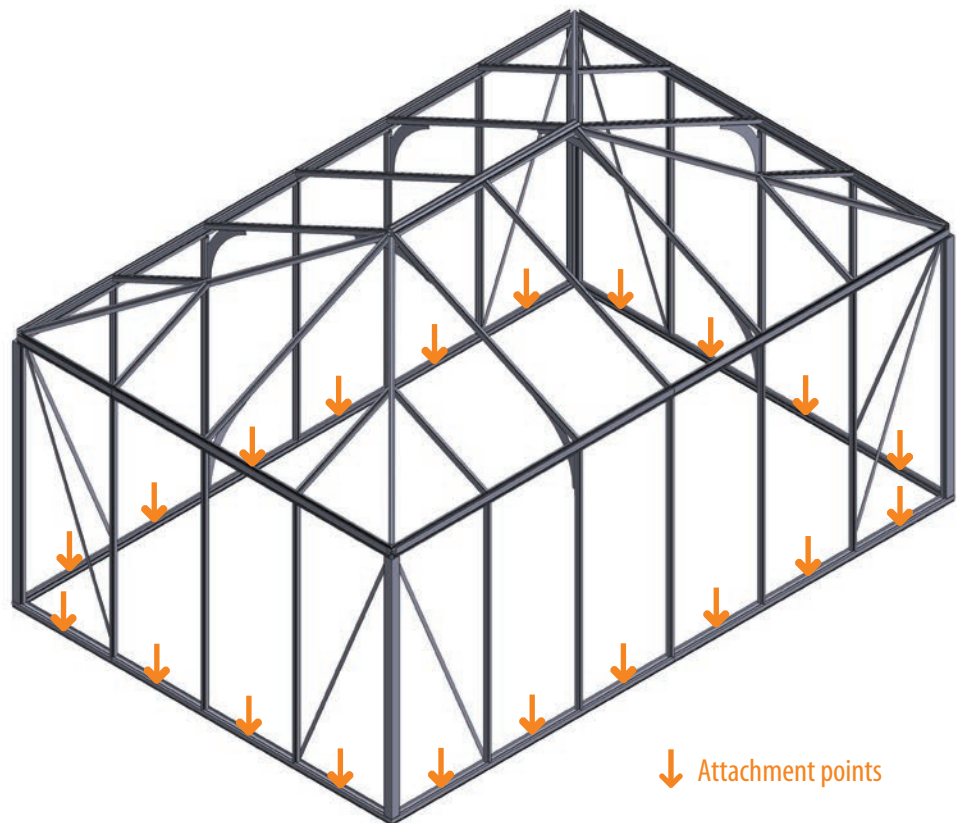
FOUNDATION PLAN

4 corners are concreted, the base profile placed on a solid foundation



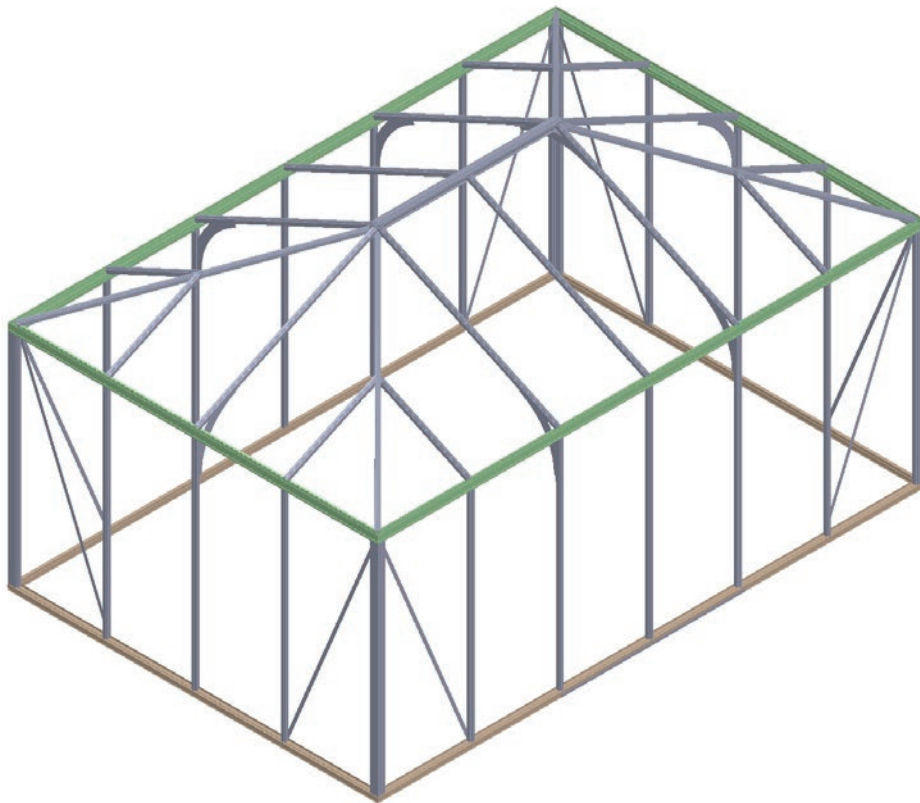
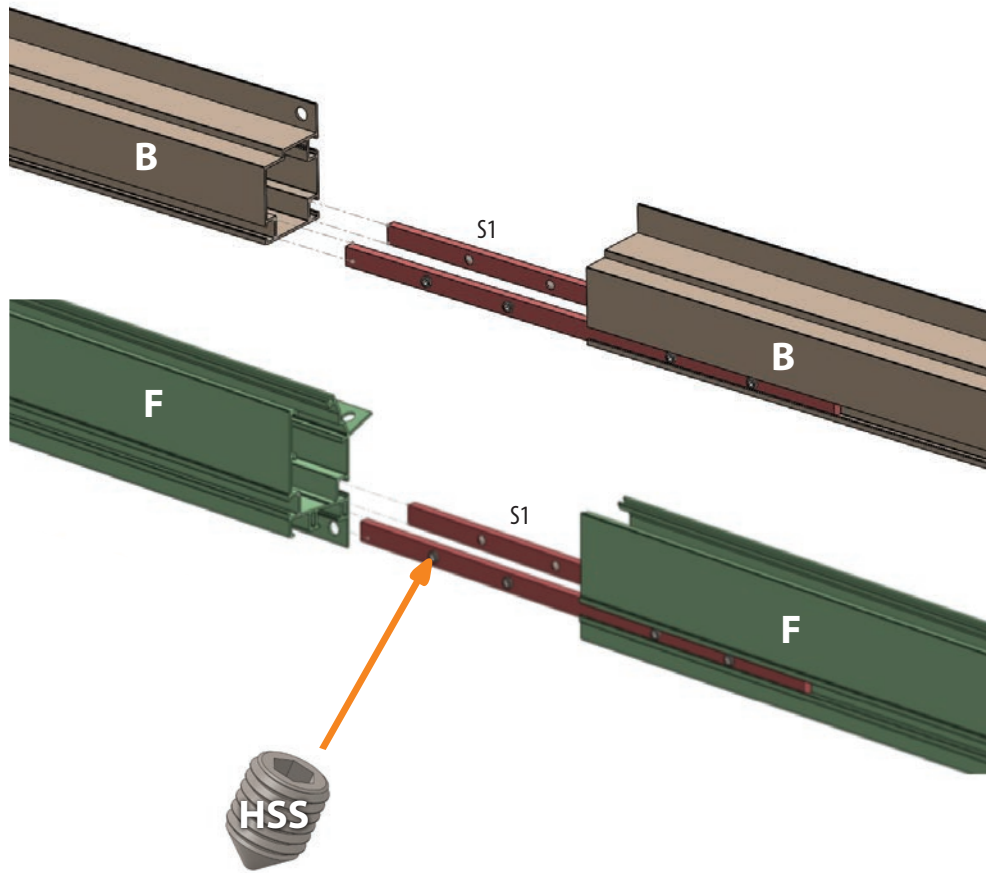
IF CORNER REINFORCEMENTS ARE NOT USED

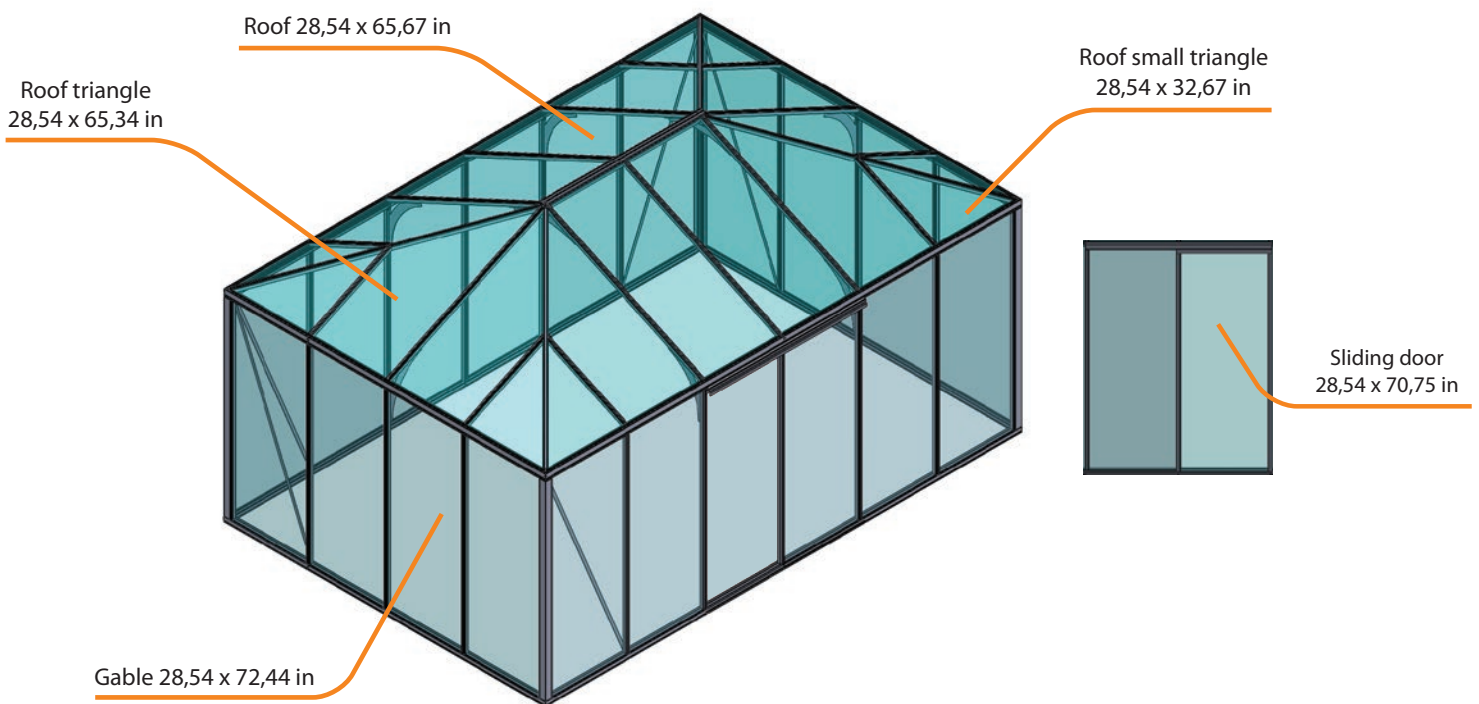
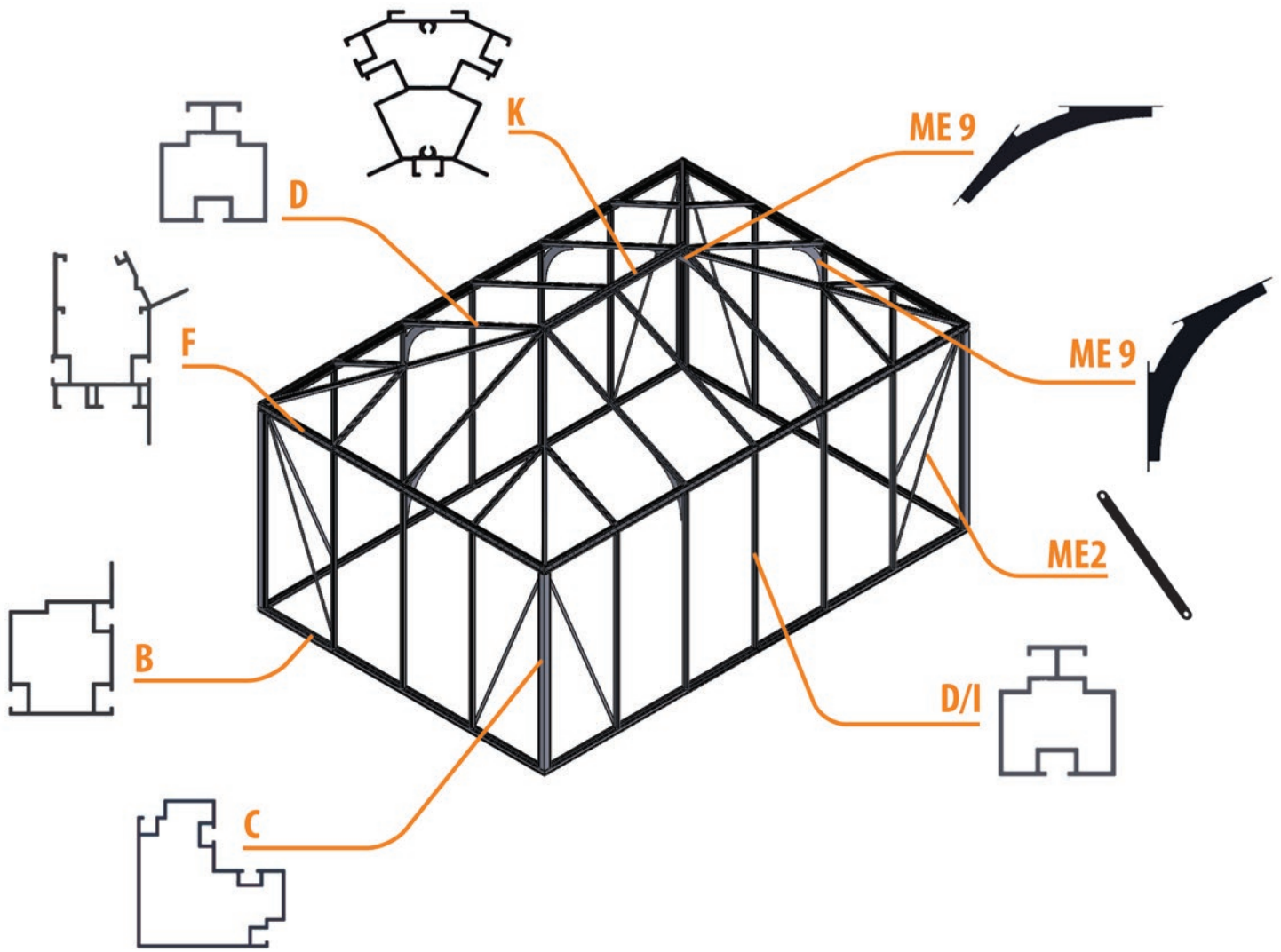
1. Drill holes in profile
2. Secure base with dowel and screw
3. Use plastic covers for holes



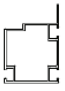

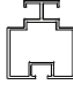






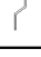



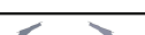




EXTENSIONS





Fix extension rod in place with screw
























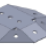






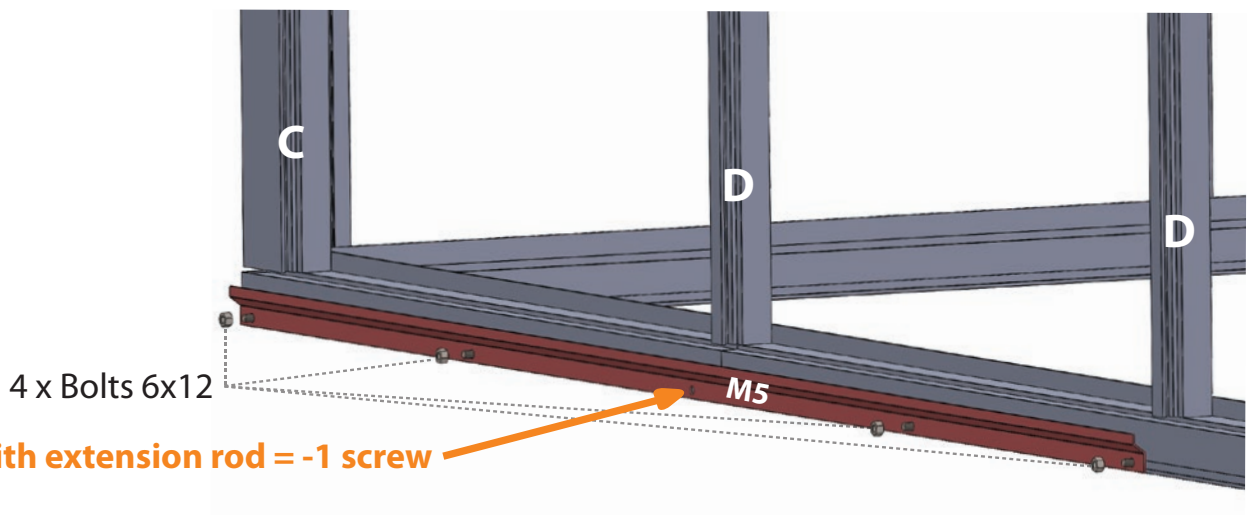
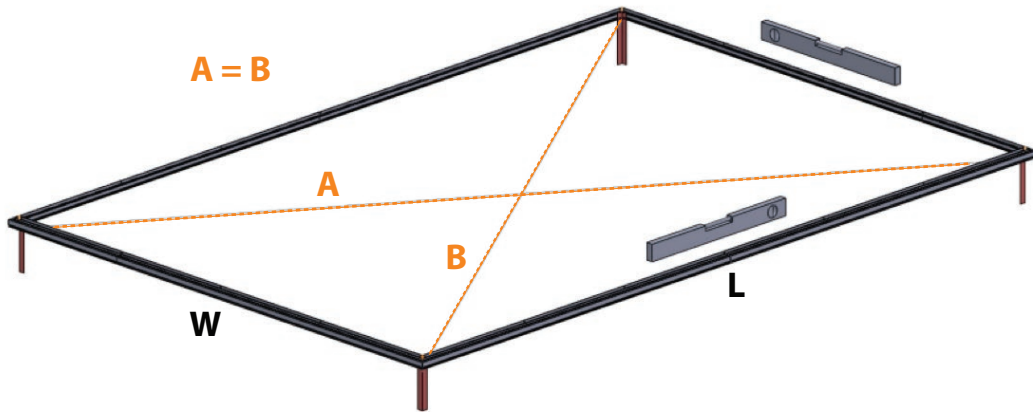
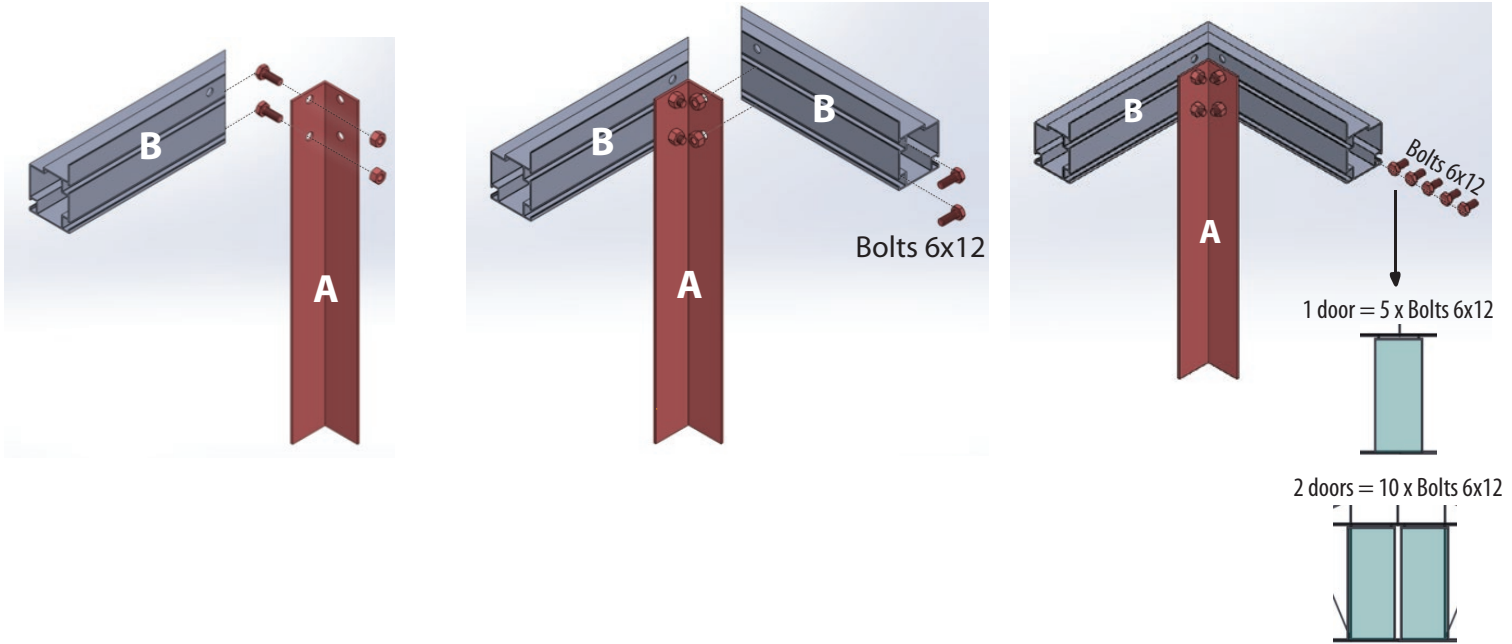
CLASSIFICATION OF PARTS

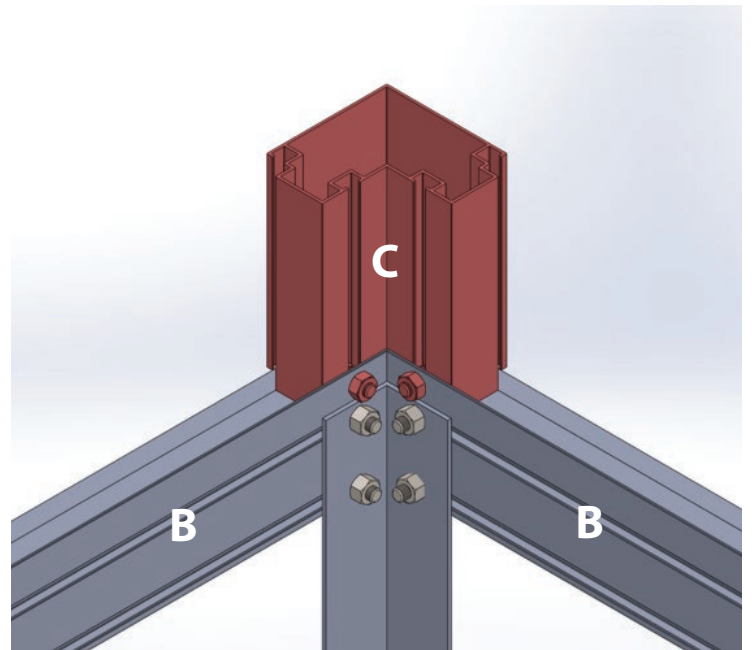
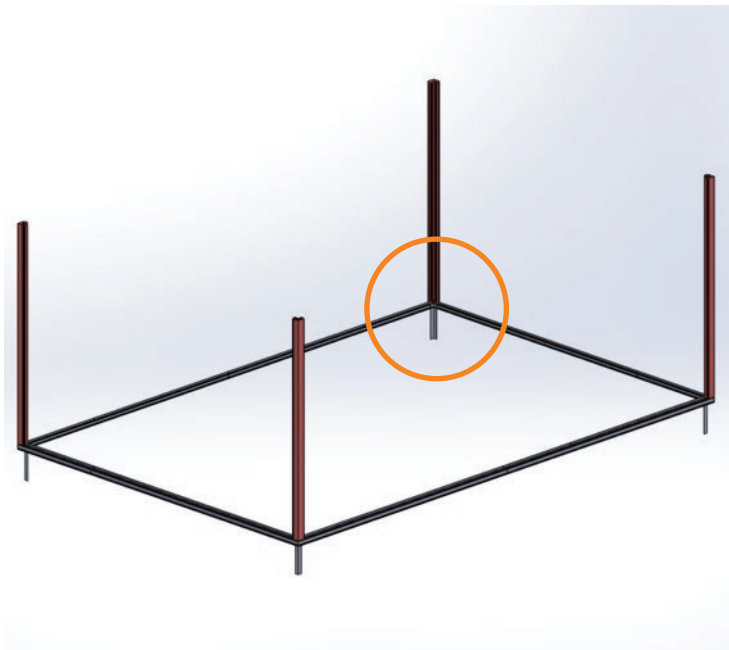
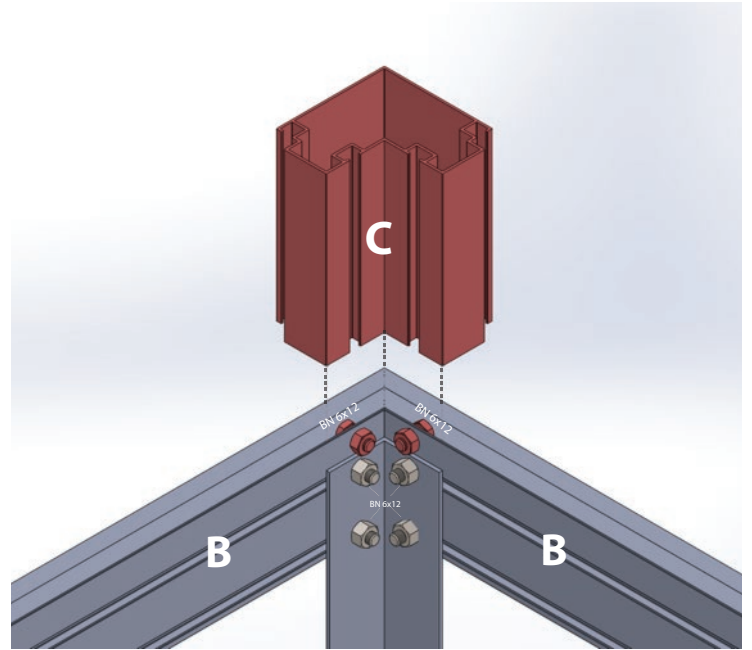
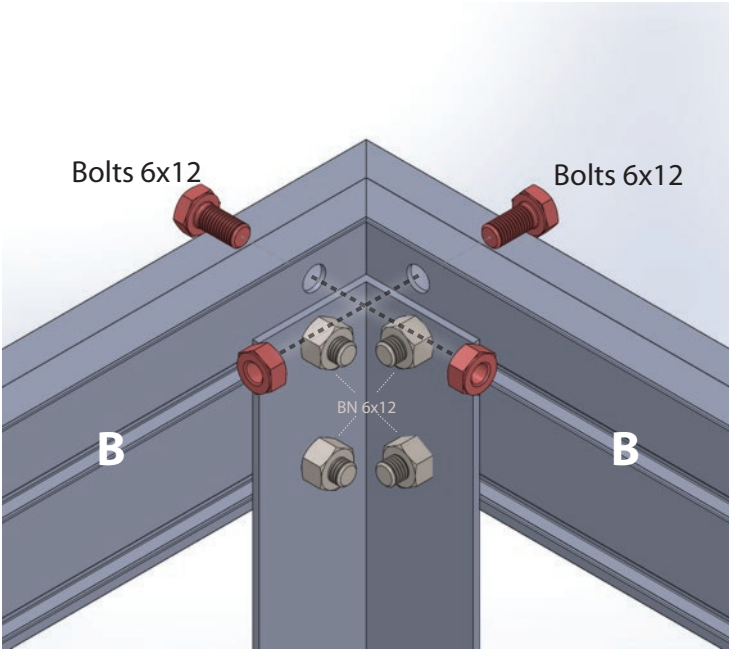
Part description, code and size			92,6x92,6	122x122	122x151,34	122x180,71	122x210	122x239,45
		Size (in)						
	B2	90		4	4	4	4	4
	B3	32		4	2	2	4	2
	B5	92,6	4					
	B6	61,34			2			2
	B7	90,71				2		
	B8	88,11					2	2
	C1	72	4	4	4	4	4	4
	D1	72	8	12	14	16	18	20
	I1	65			4	6	8	10
	I10	48,39	4					
	I11	65,35	4					
	I12	33,23	4	4	4	4	4	4
	I13	33,23	4	4	4	4	4	4
	I14	64,61		4	2	2	2	2
	I15	87,17		4	4	4	4	4
	F12	89,37	4					
	F13	30,31		4	2	2	4	2
	F14	88,39		4				
	F15	89,06				2		
	F16	88,39			4	4	4	4
	F17	59,69			2			
	F8	88,11					2	2
	F18	59,72						2
	K18	59,72				1		
	K19	30,75			1			
	K32	89,5					1	
	K33	57,6						1
	K34	61,3						1
	M1	30,63	1	1	1	1	1	1
	M2	71,1	2	2	2	2	2	2
	M3	30,63	1	1	1	1	1	1
	M4	60,24	1	1	1	1	1	1
	M5	60,24	1	1	1	1	1	1
	M7	71,65	2	2	2	2	2	2
	S1	11,81	0	6	17	21	25	25
	ME2	78	8	8	8	8	8	8
	ME4	58,07	2	2	2	2	2	2
	ME9 side part	11.81 x 11.81	4	4	6	6	6	8
	ME9 top part	11.81 x 11.81	1	1	2	2	2	3
	ME8	2	32	12	16	40	44	48
	A1	1.38 x 1.38 x 11.81	4	4	4	4	4	4

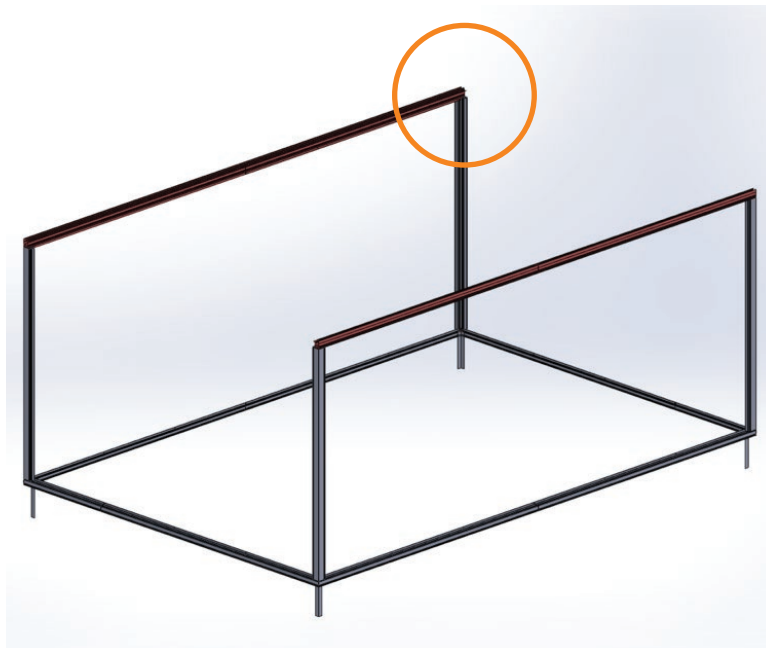
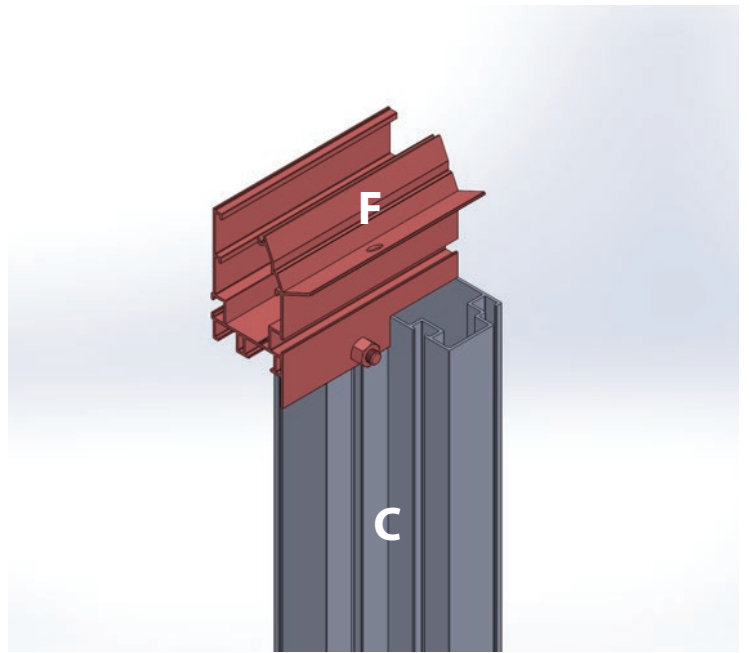
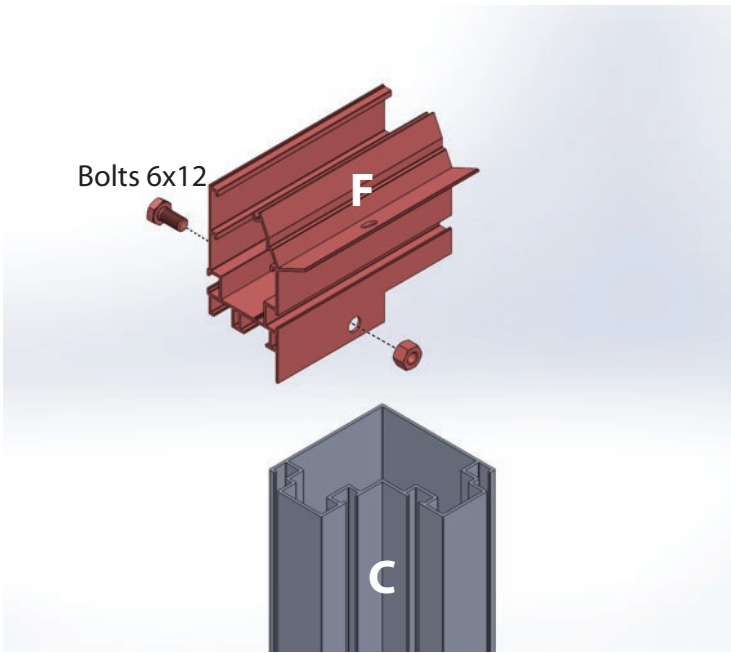
	A1	1.38 x 1.38 x 11.81	4	4	4	4	4	4
	A3	0,6x0,6x28	1	1	1	1	1	1
	A2	0.59 x 0.59 x 71.1	1 if double doors					
	S2	2.76 x 0.55 x 0.08	1 if double doors					

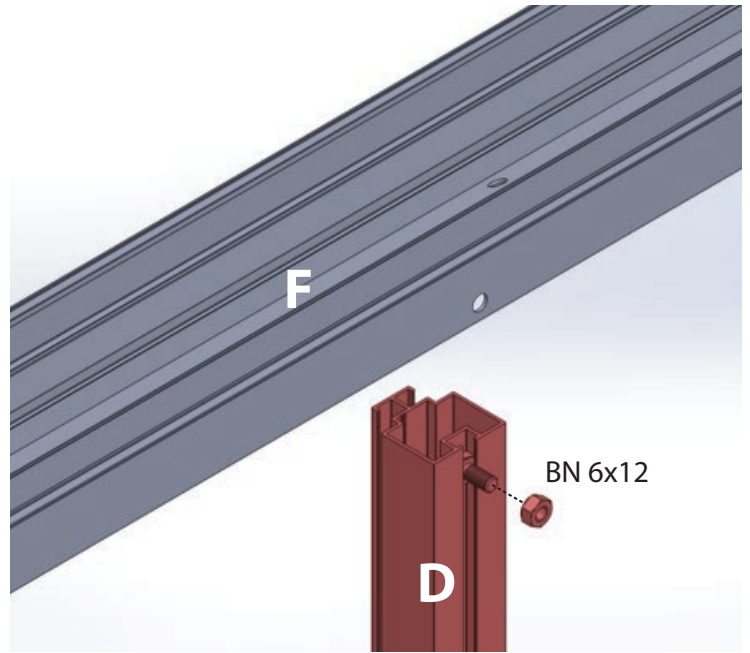
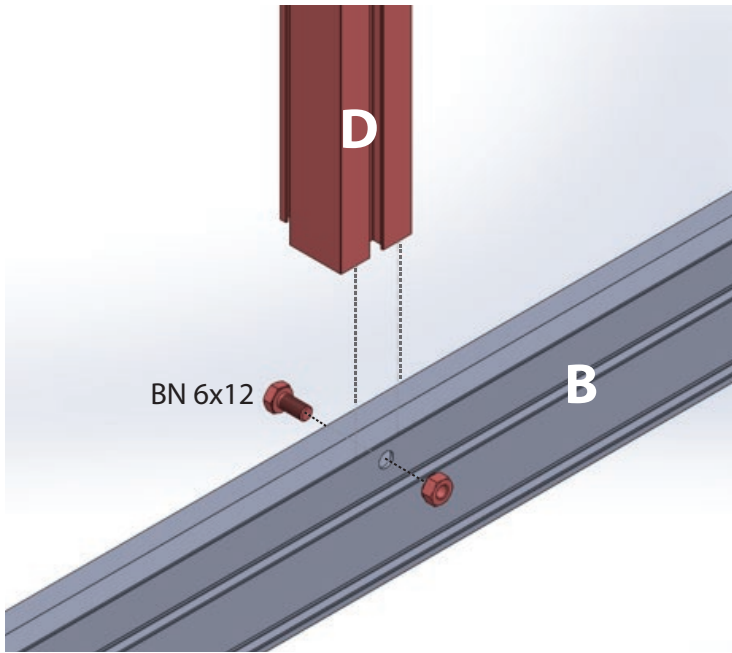
	Glazing rubber (ft)	230	360	426	476	542	590
	Brush strip (in)	142	142	142	142	142	142
	Down pipe bend 90° - Ø1,38 in	2	2	2	2	2	2
	Sliding roller	2	2	2	2	2	2
	Bolts 6x12	80	90	120	140	170	180
	Bolts 6x30	2	2	2	4	4	4
	Nuts 6x1	85	95	125	145	180	190
	Bolts, washer, 2 nuts 7x20	1	1	1	2	2	2
	Bolts, washer, nuts 10x20	2	2	2	2	2	2
	Tapping screws 4,8x25	8	8	12	16	16	16
	Tapping screws 4,8x19	8	8	8	8	8	8
	Hexagon socket screws	24	24	68	68	112	112
	Nut caps	85	95	125	145	180	190
	Gutter end incl. downpipe (L)	1	1	1	1	1	1
	Gutter end incl. downpipe (R)	1	1	1	1	1	1
	Gutter end w/o downpipe	2	2	2	2	2	2
	Railends (L) sliding door	1	1	1	1	1	1
	Railends (R) sliding door	1	1	1	1	1	1
	Corner bracket	4	4	4	4	4	4
	Roof profiles connect	4	4	4	4	4	4
	Small pyramid cap	1	1	0	0	0	0
	Pyramid cap L=43 in	0	0	1	0	0	0
	Pyramid cap L=74 in	0	0	0	1	0	0
	Roof profile connector	0	0	2	2	2	2
	Plastic spacer for cap	0	0	2	2	2	2
	Screw 4,8x45	0	0	2	2	2	2

Glass							
Gable 28,54 x 72,44 in	11	15	17	19	21	23	
Sliding door 28,54 x 70,75 in	1	1	1	1	1	1	
Roof 28,54 x 65,67 in			2	4	6	8	
Roof small triangle 28,54 x 32,67 in	8	8	8	8	8	8	
Roof narrow triangle 13,86 x 48,94 in	8						
Roof triangle 28,54 x 65,34 in		8	8	8	8	8	

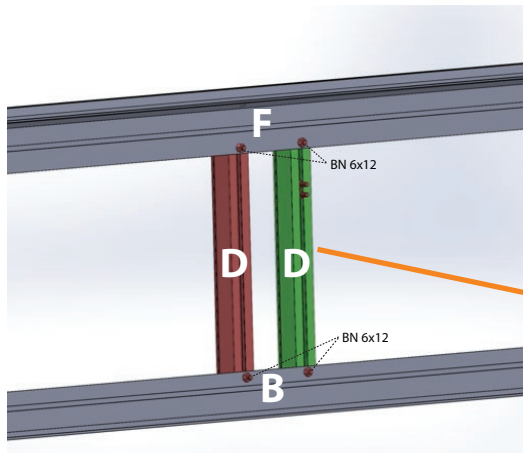
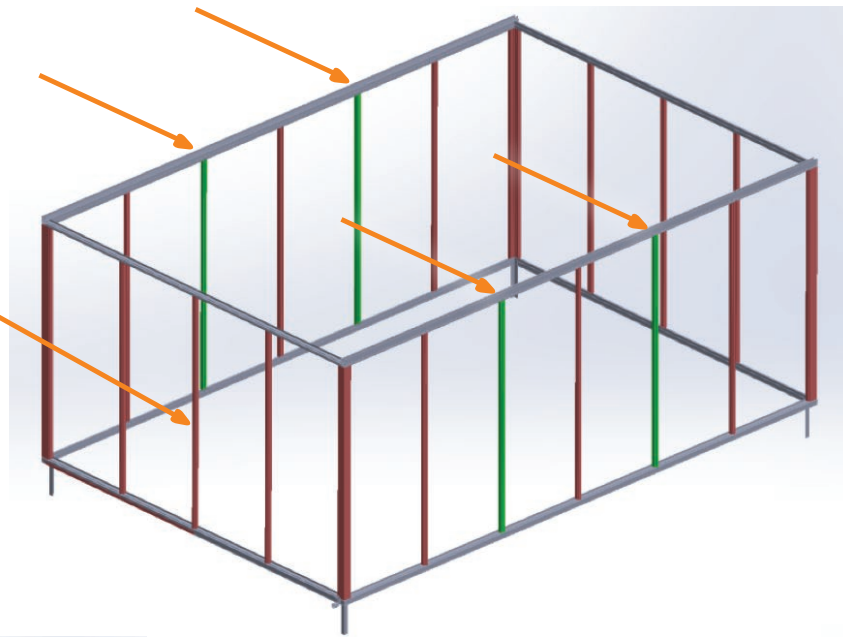




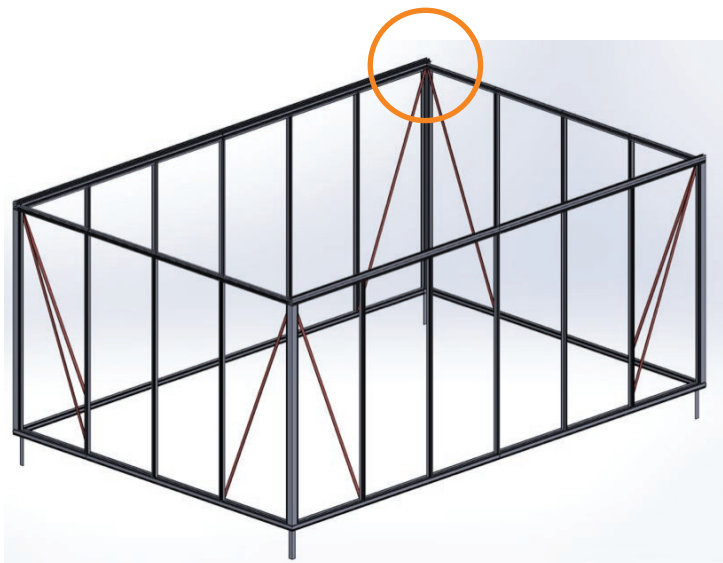
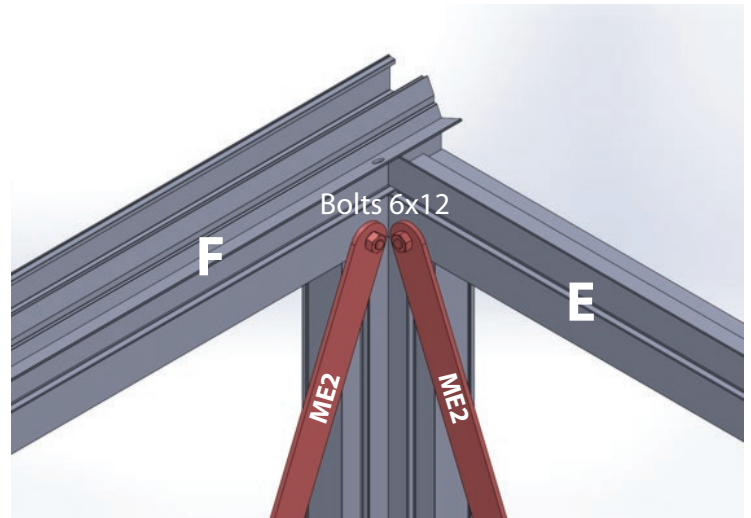
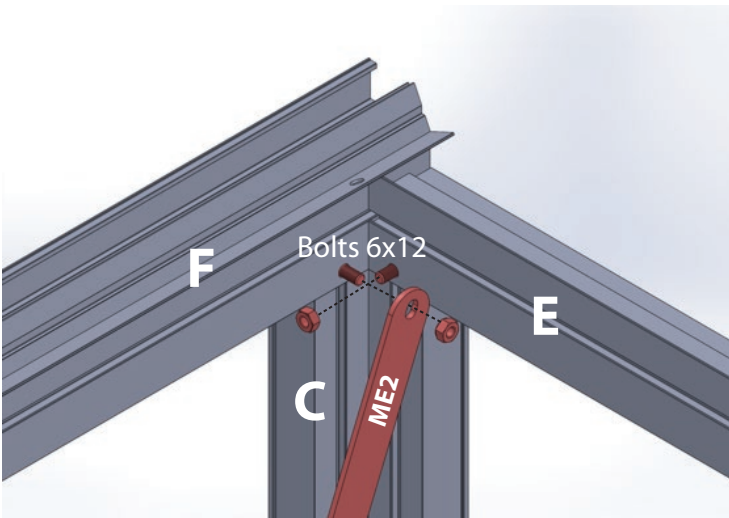
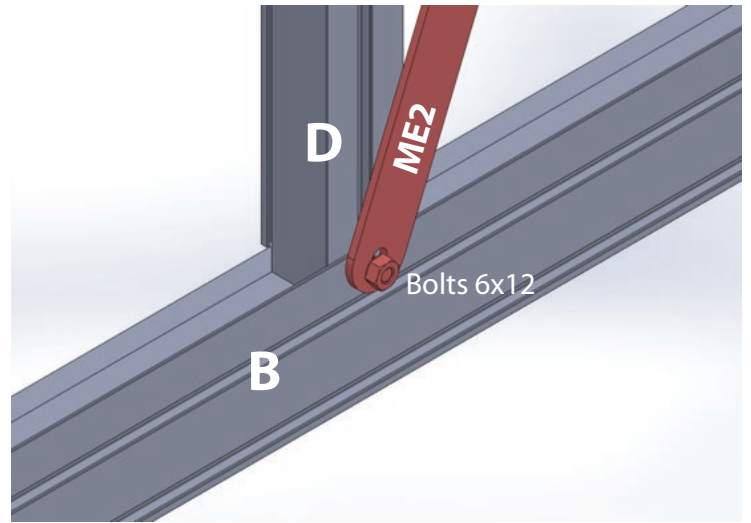
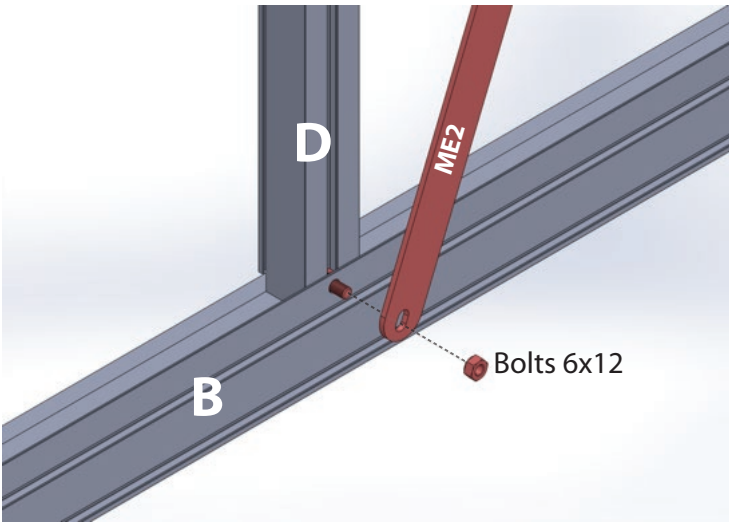




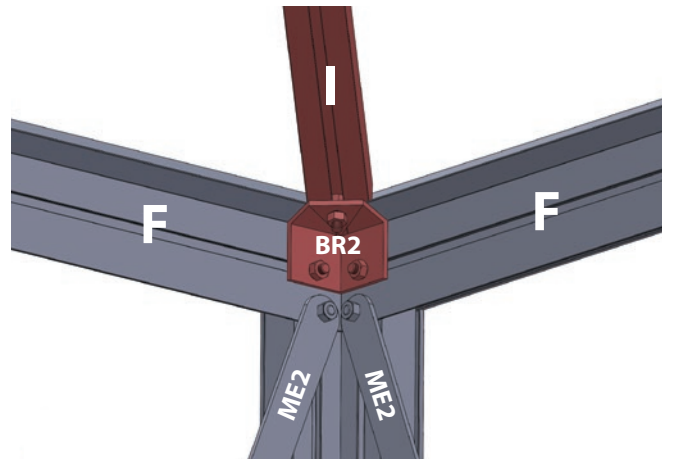
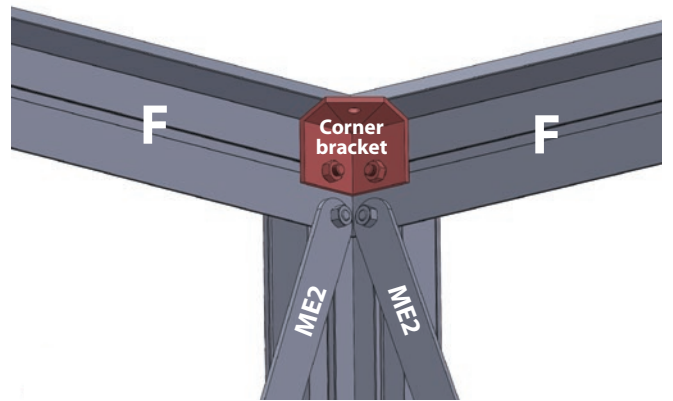
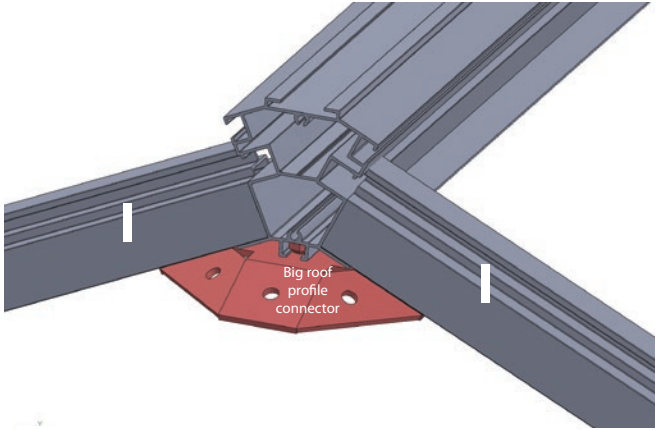
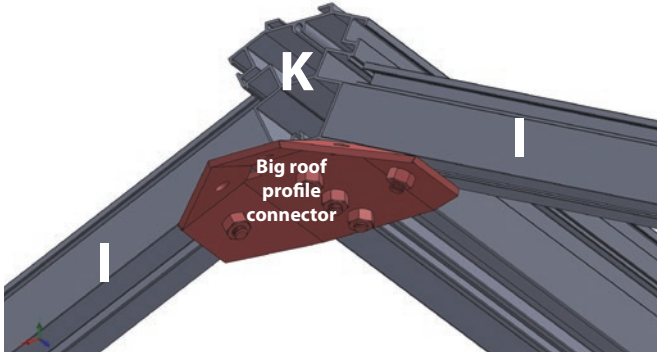
Middle profile NOT installed if double doors.
Doors can be installed on short and long side.

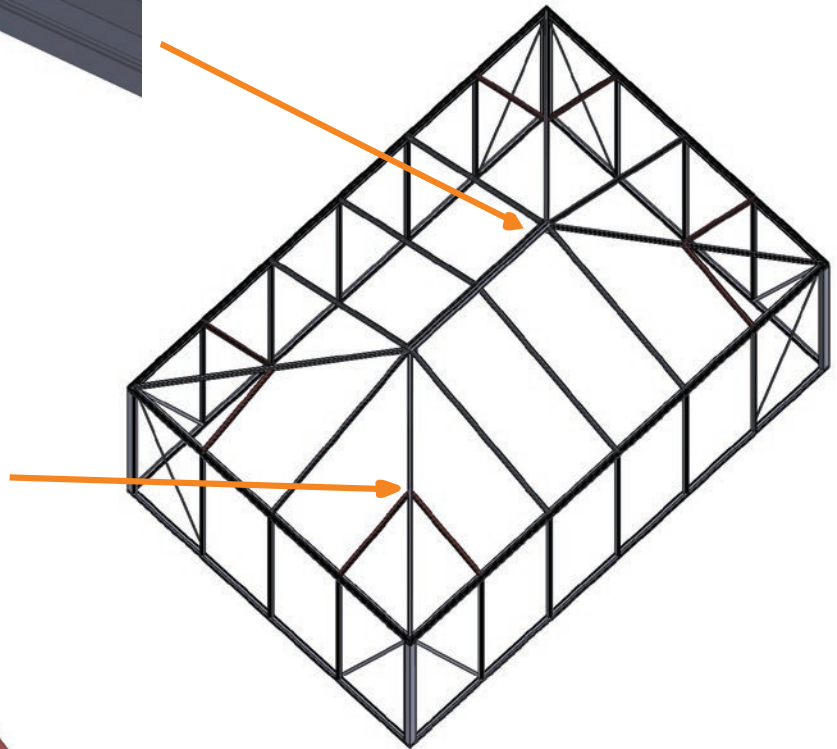
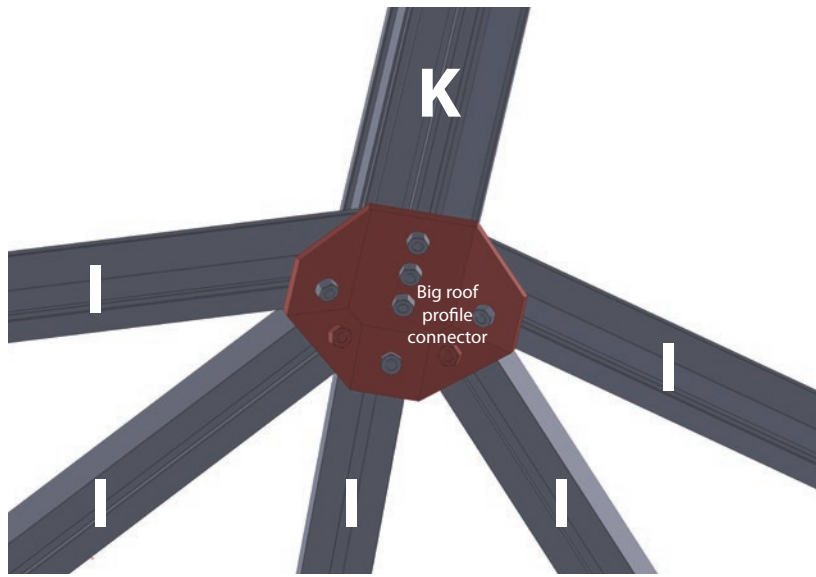


Step 15



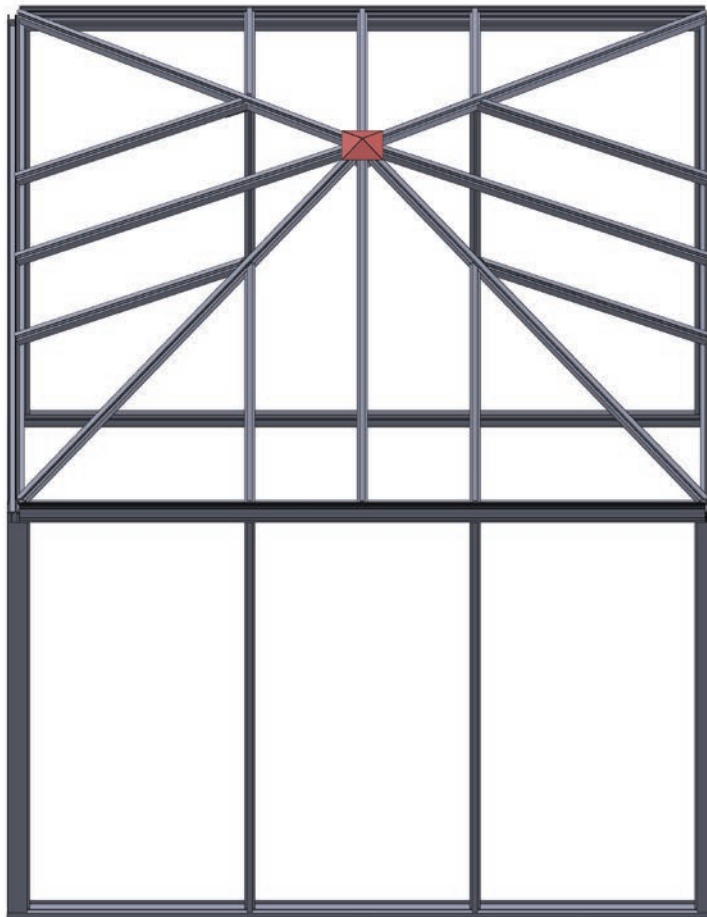
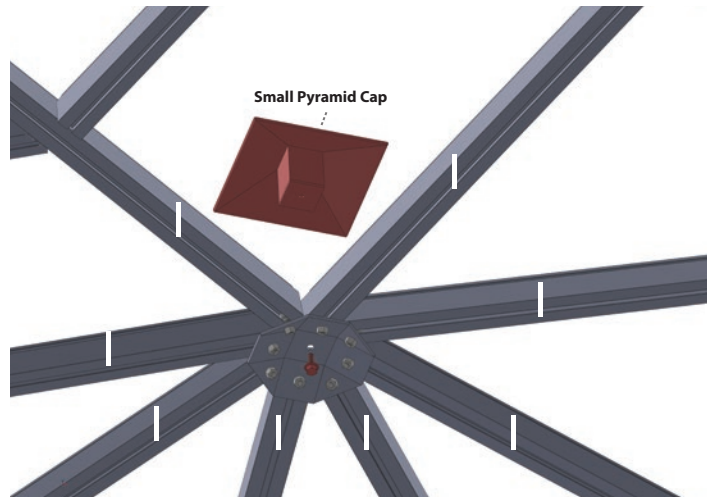
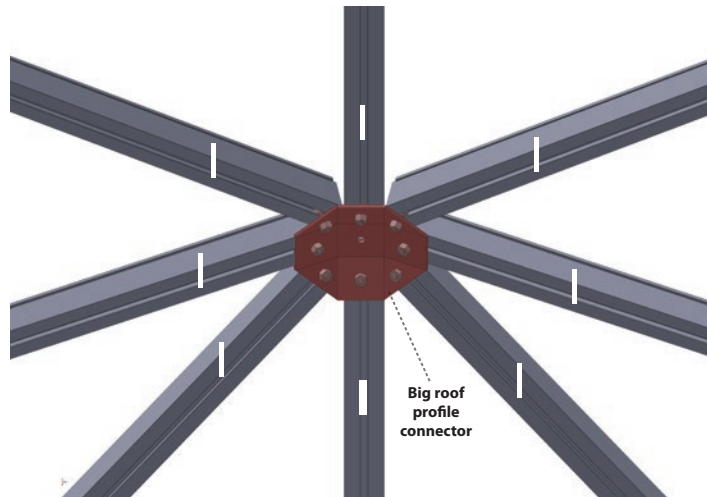
ME10 ← W=92.56"
 ME2 ← W=122.01"

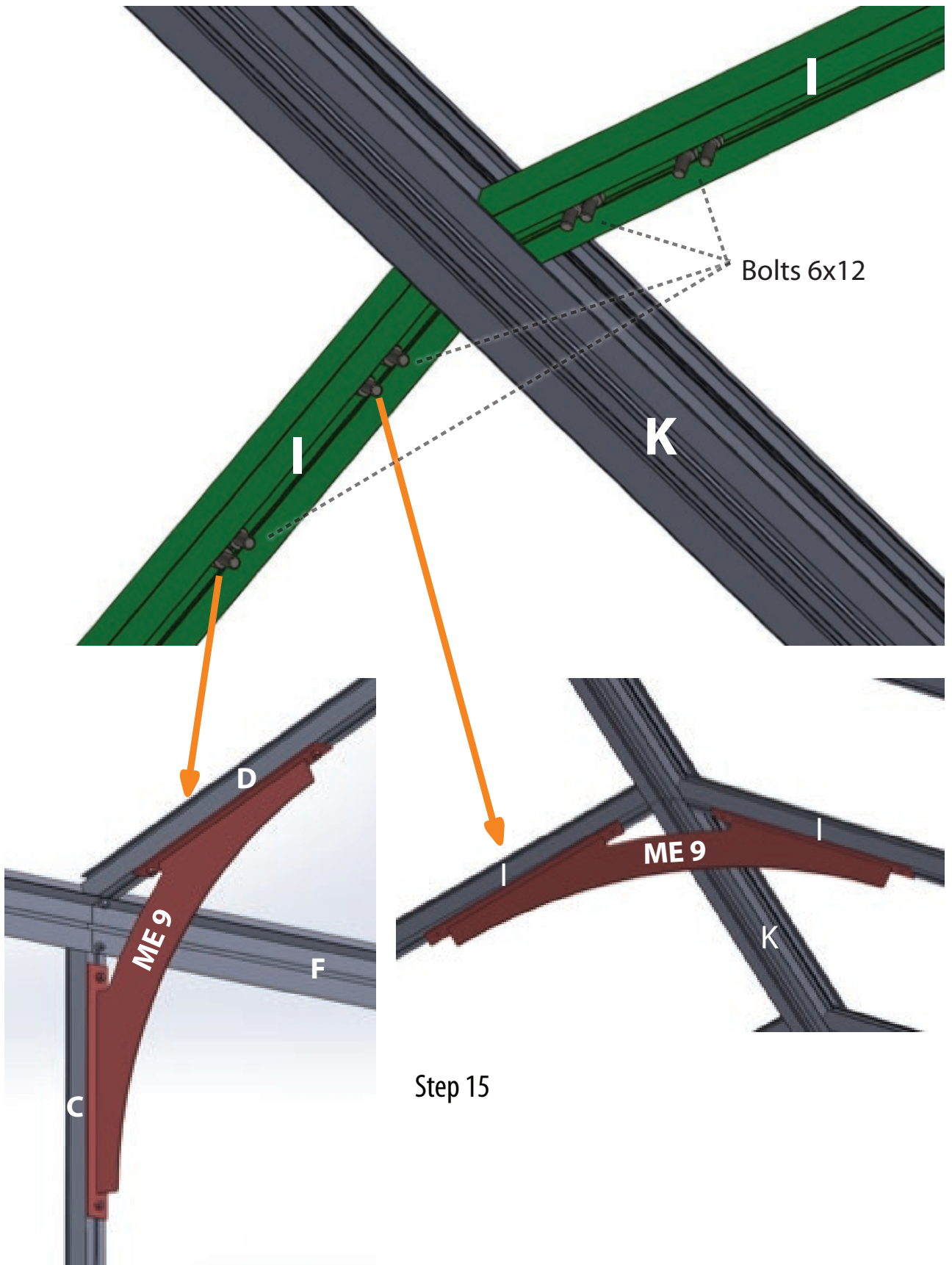


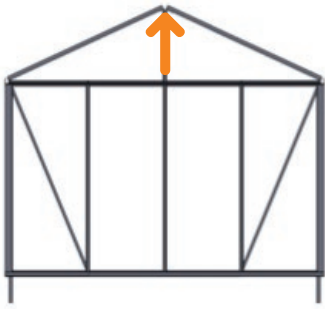


ROOF CAP

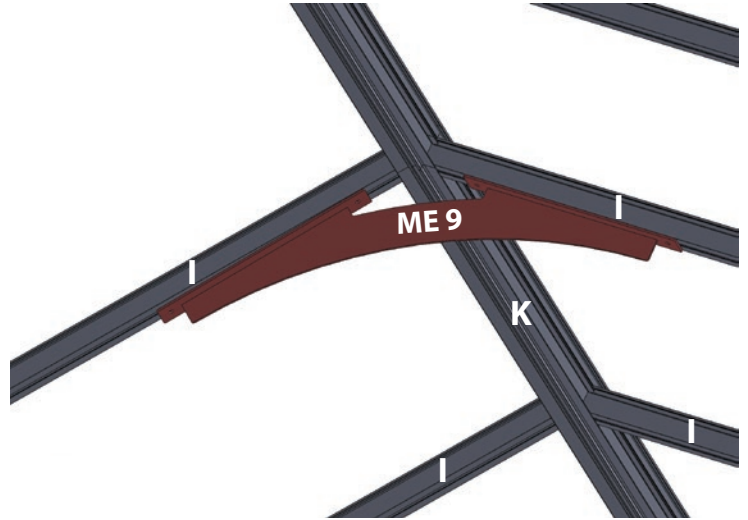
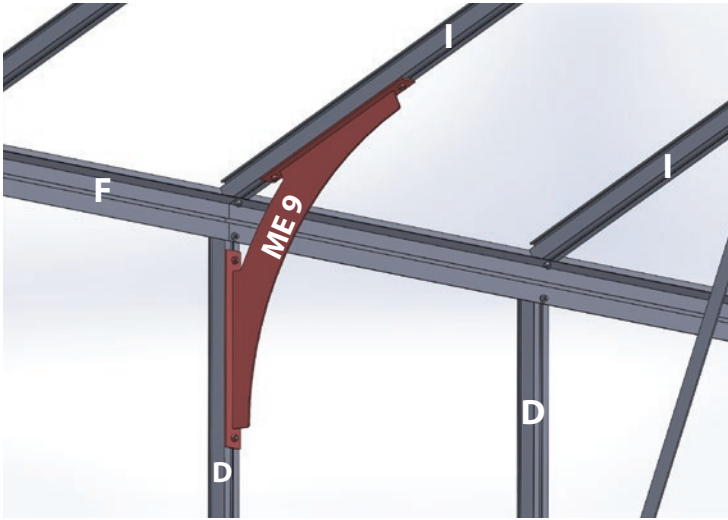
For sizes 92 5/8" x 92 5/8" and 122" x 122"



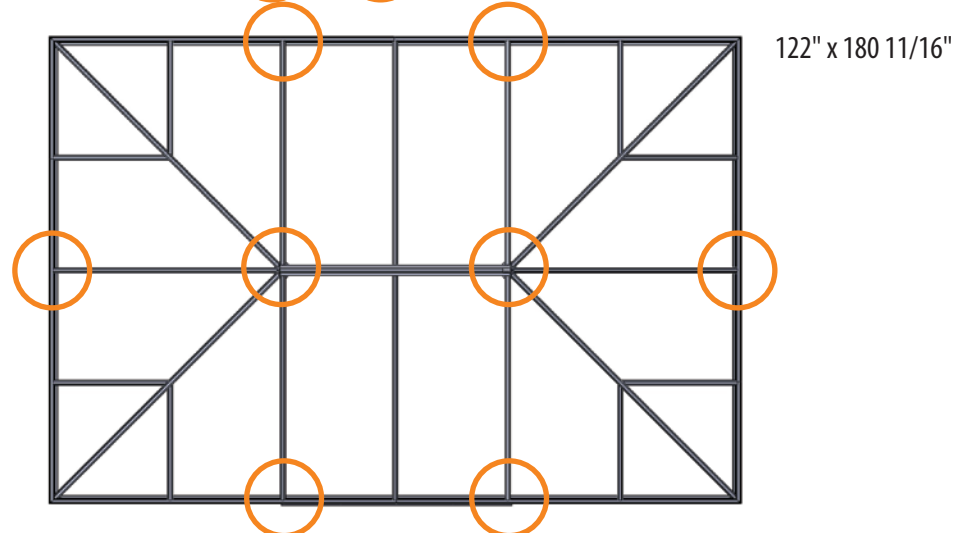
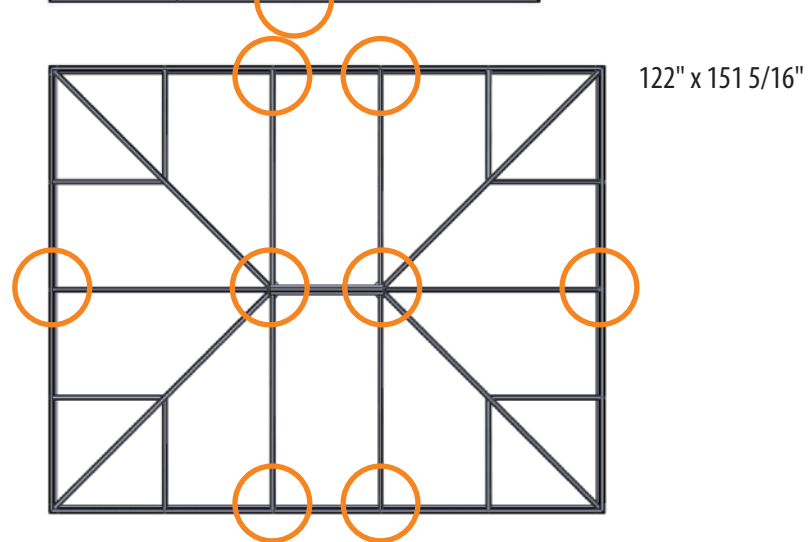
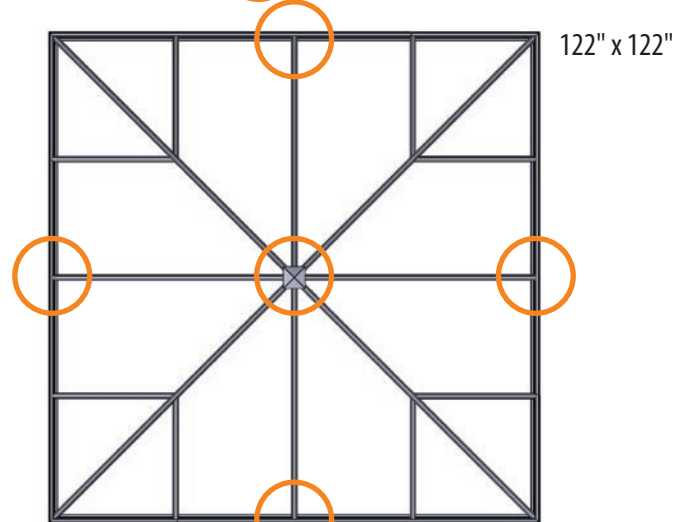
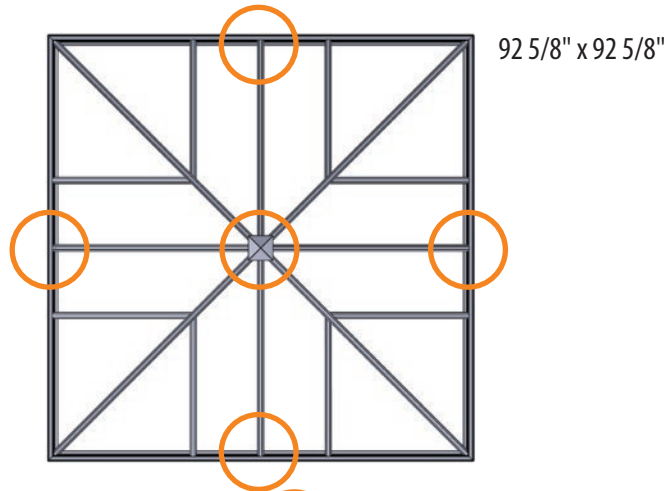


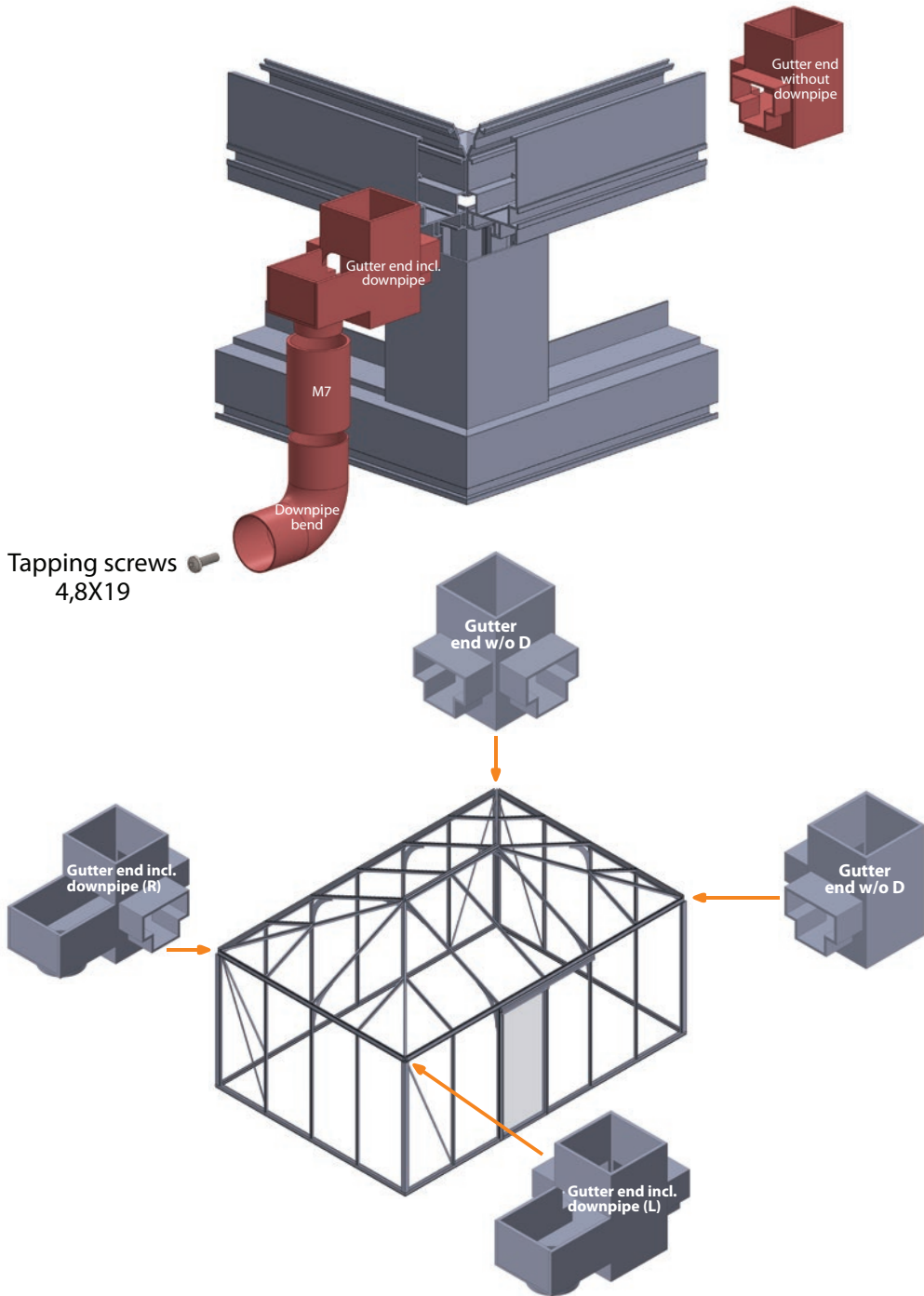
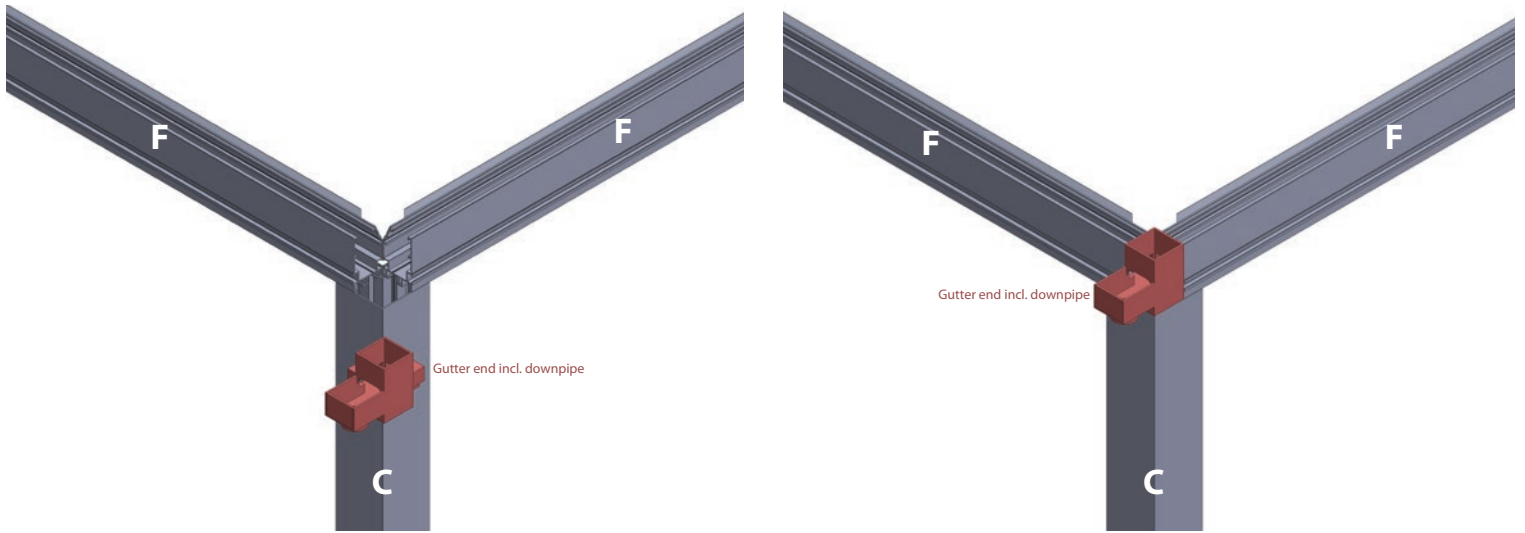


1. Push ridge from inside up by 5/8"
2. Fix the screws



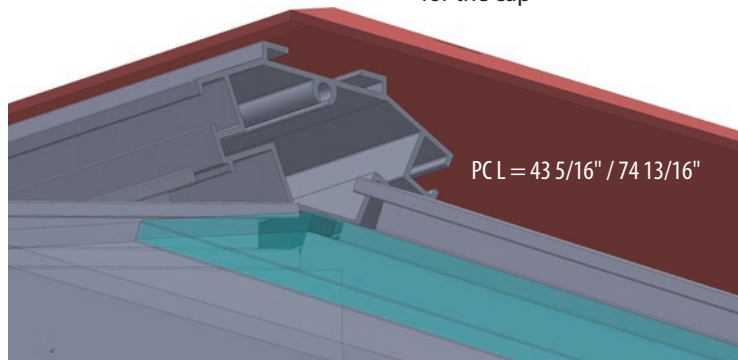
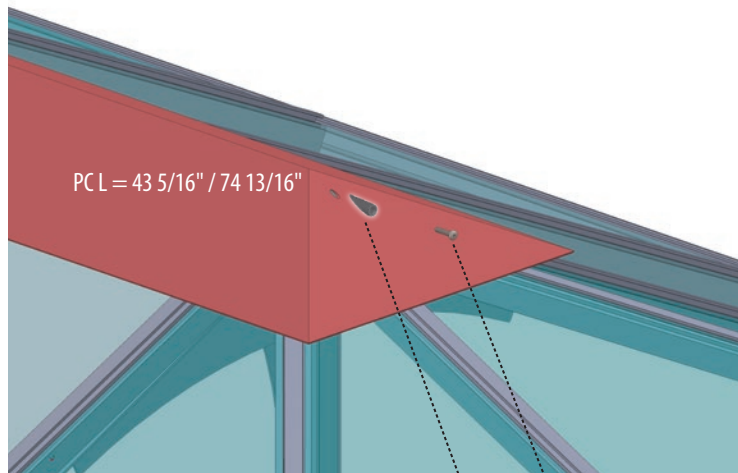
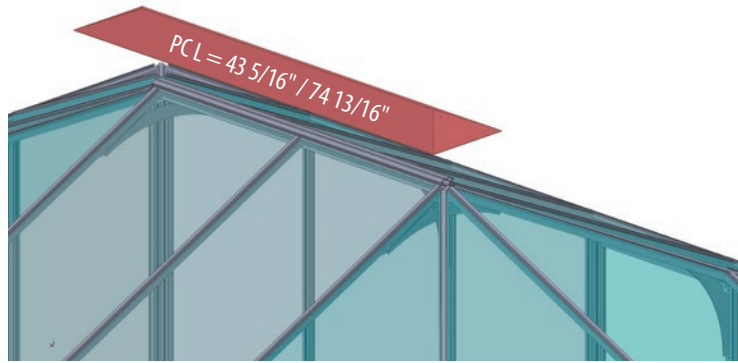
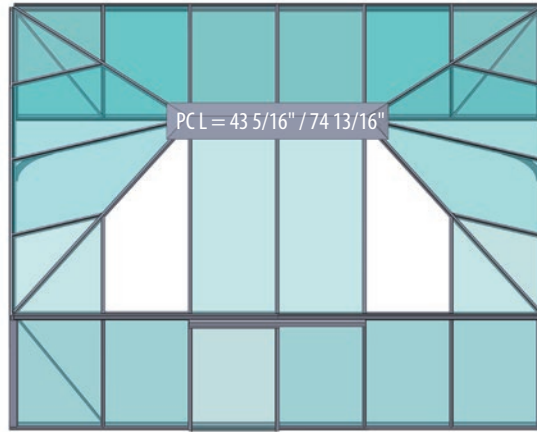
POSITION OF THE ROOF TIES

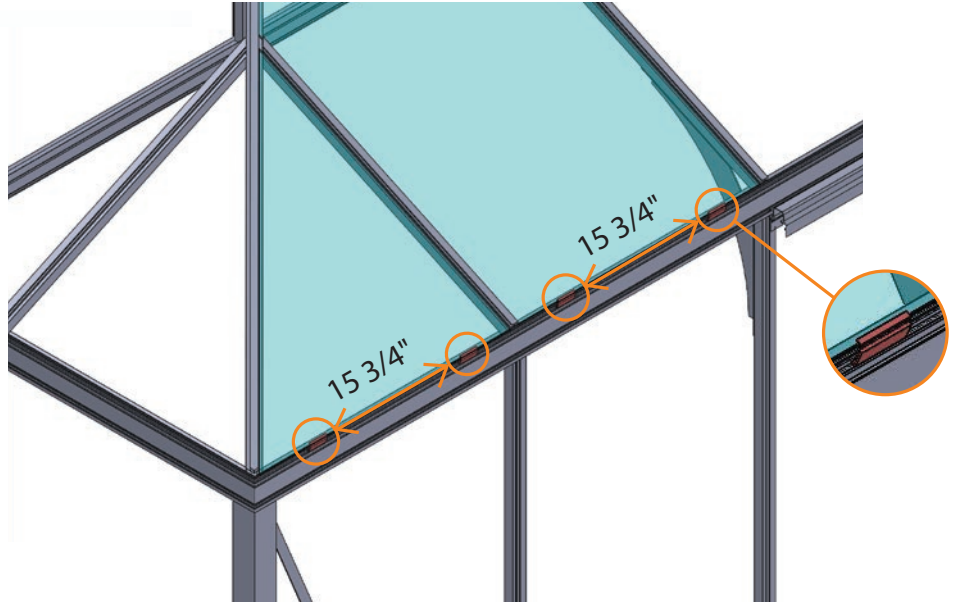
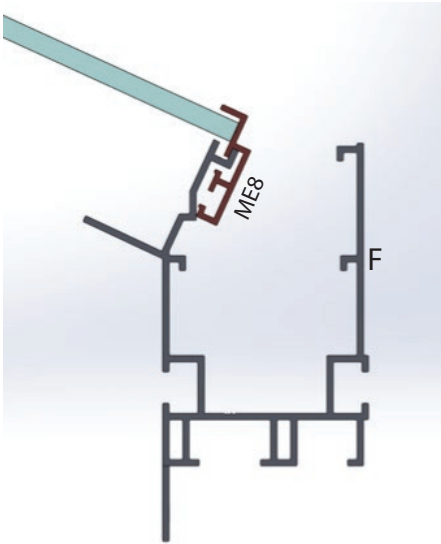
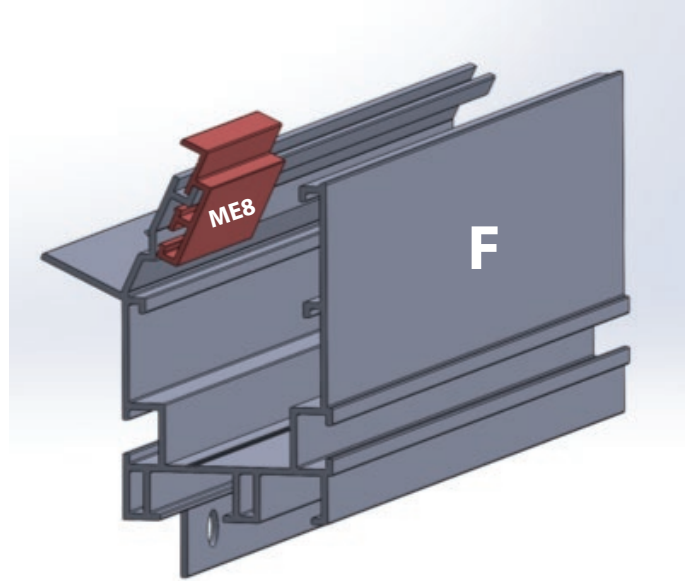
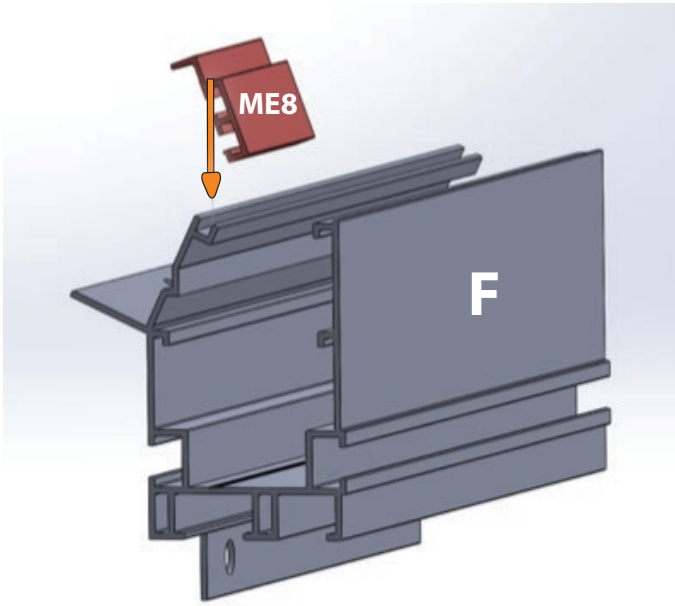


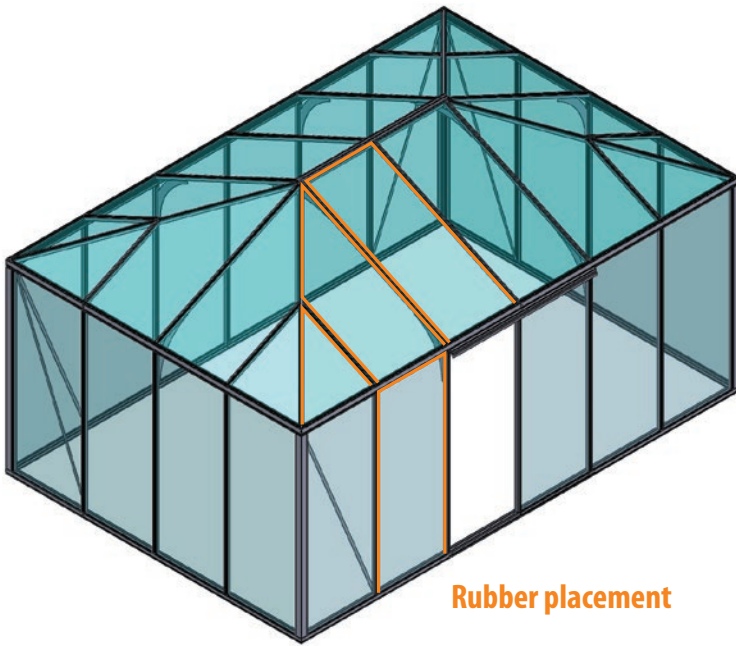
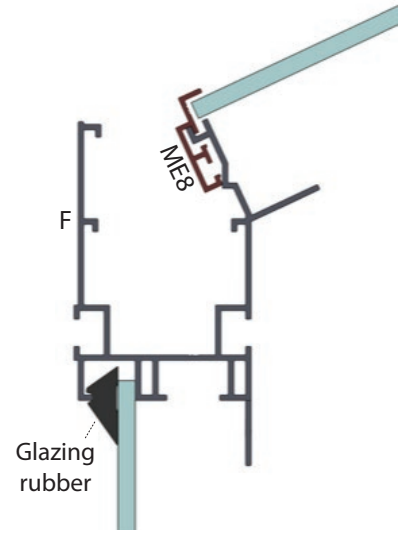
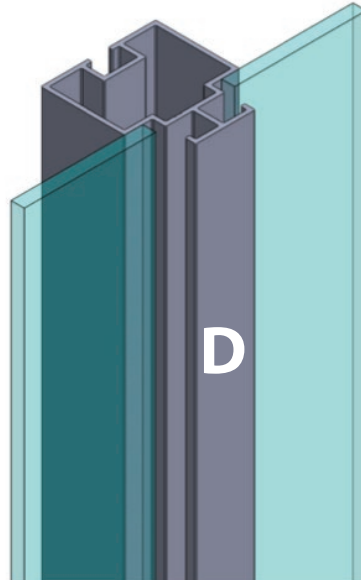


ROOF COVER

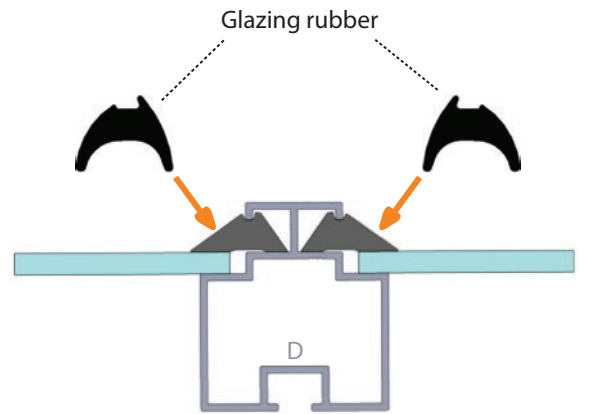
For sizes 82 5/8" x 112" and 82 5/8" x 180 11/16"

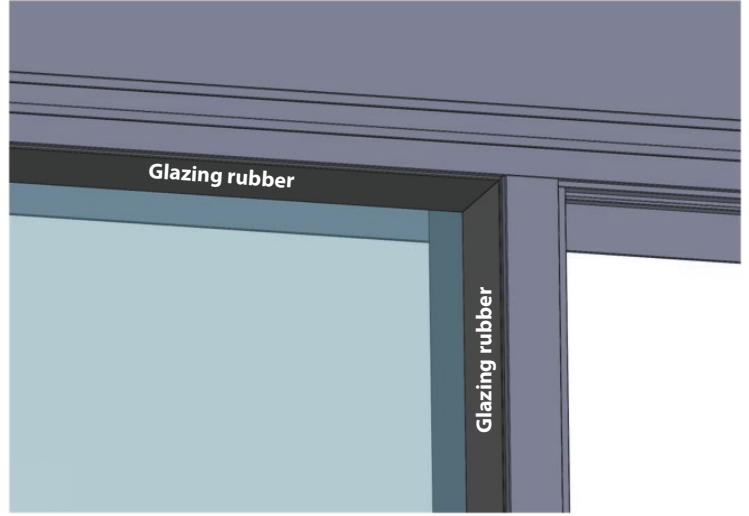
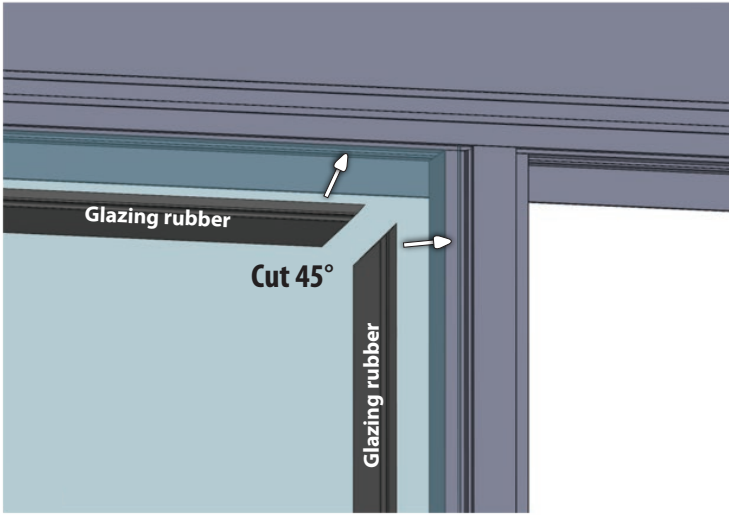






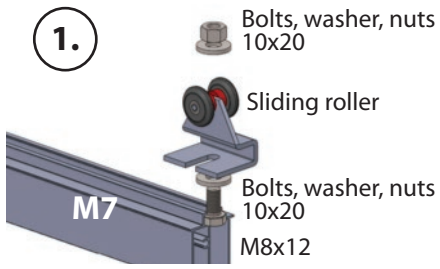
Rubber placement





Sliding doors

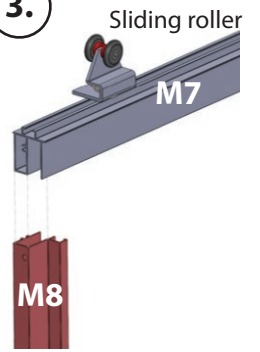
1.



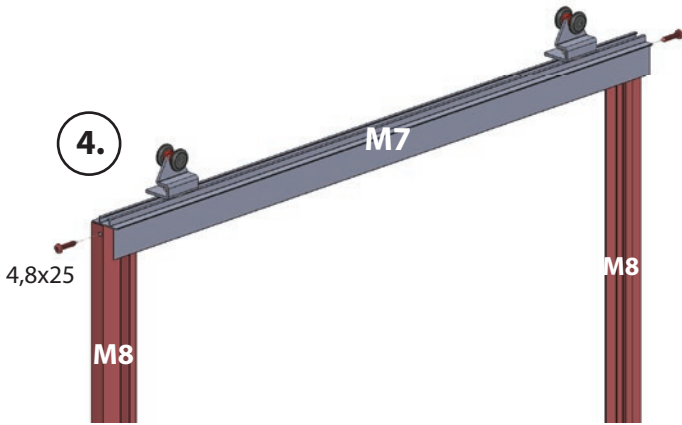
2.



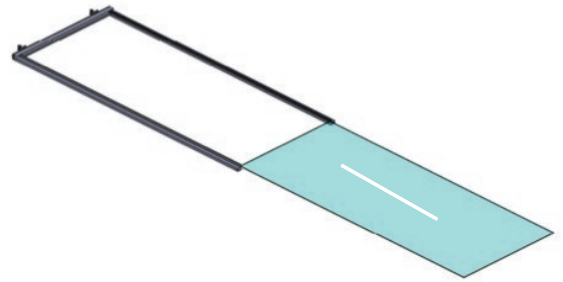
3.



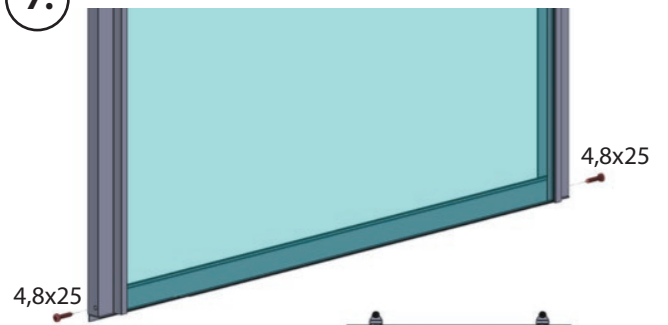
4.



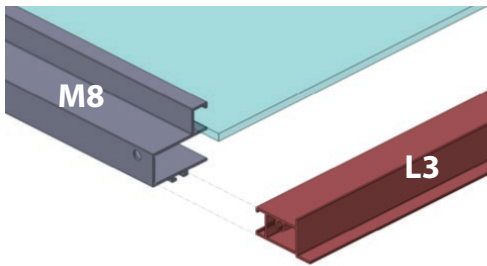
5.



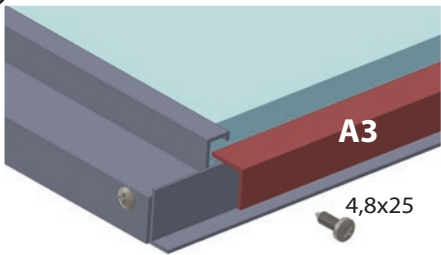
7.



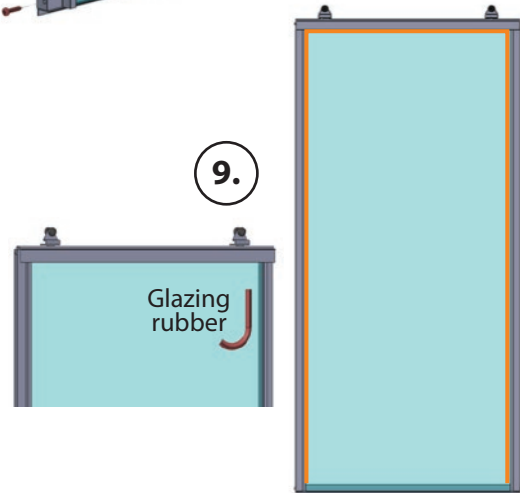
6.



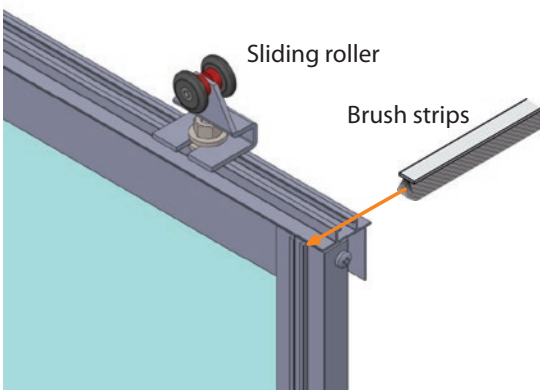
8.



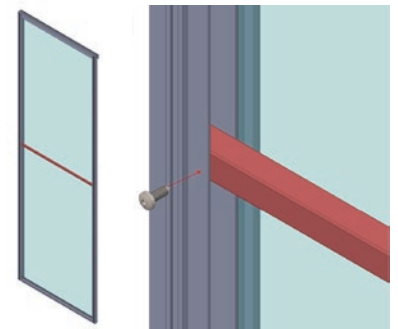
9.

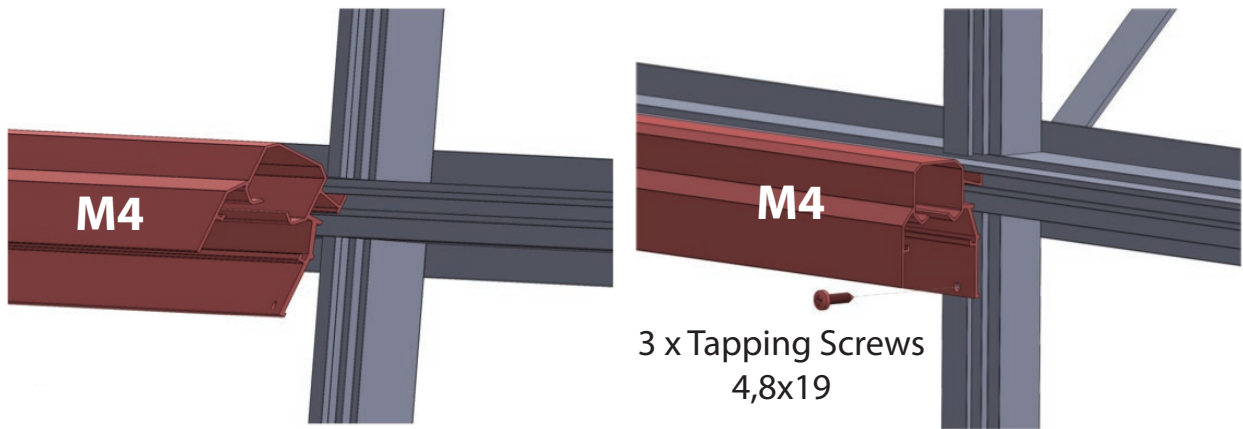


10.

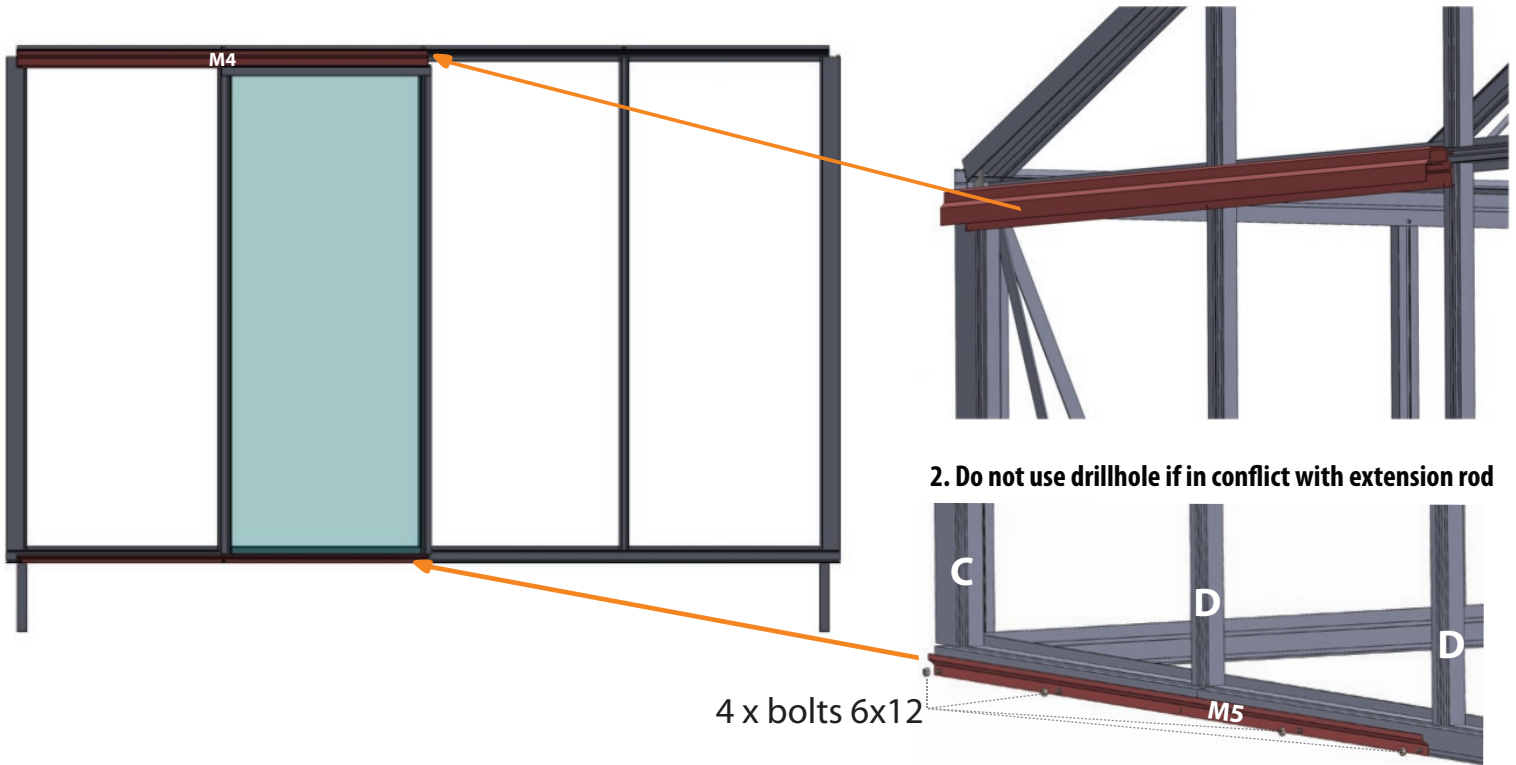
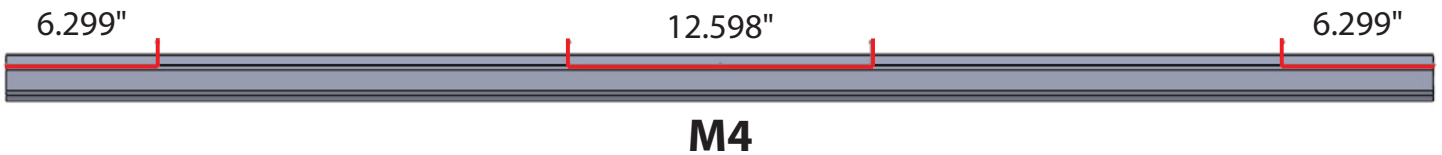


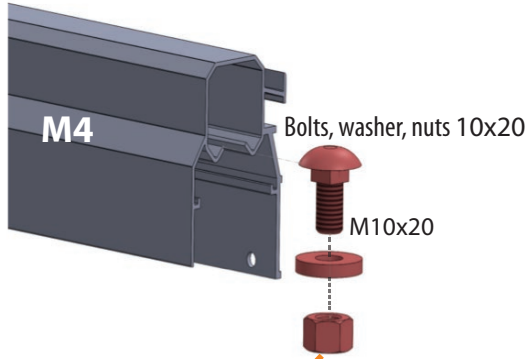
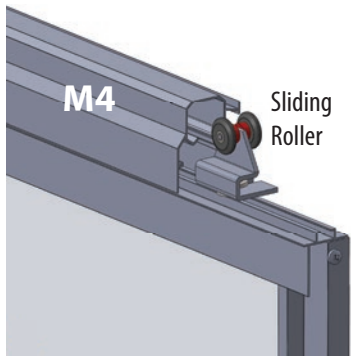
For doors larger than 30 11/16" x 71 5/8"



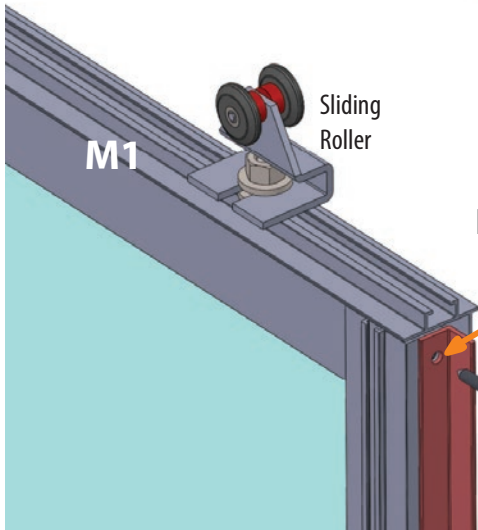
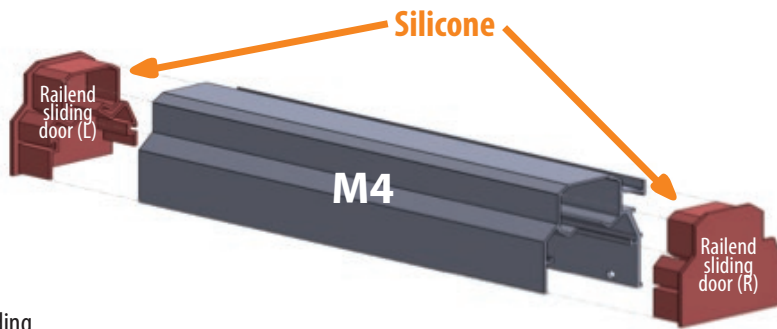
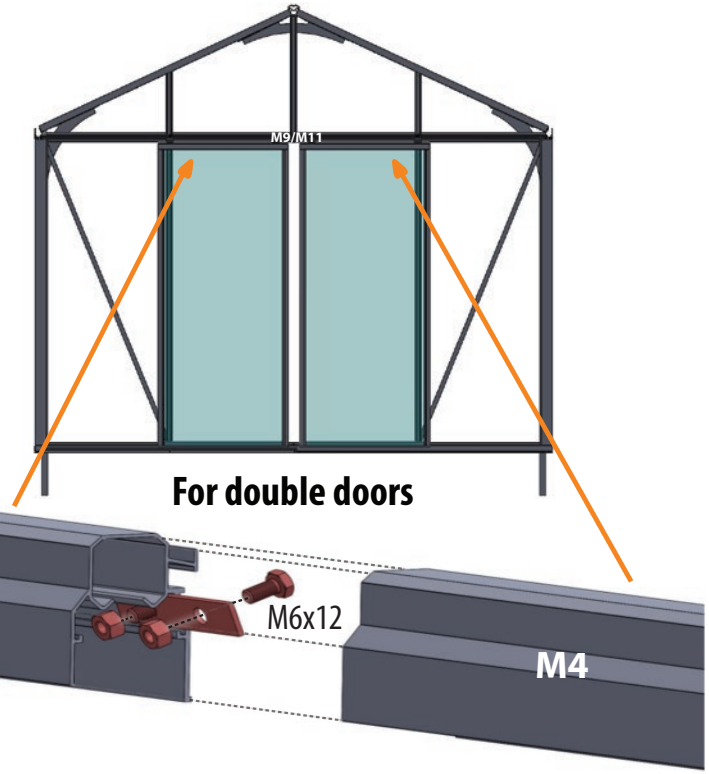
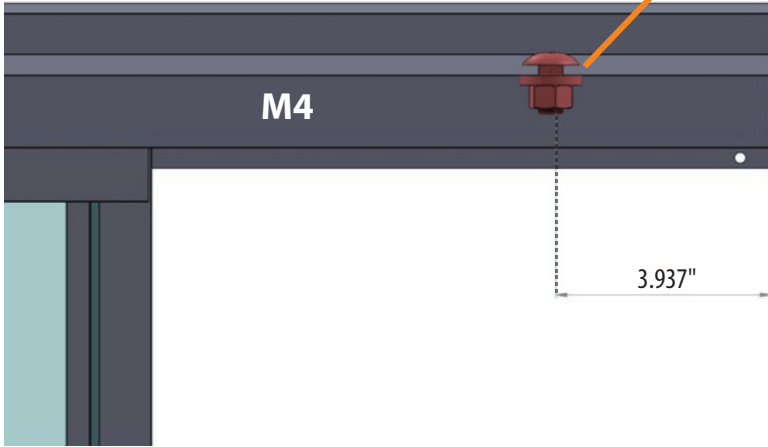


If in conflict with extension rod, cut out part here





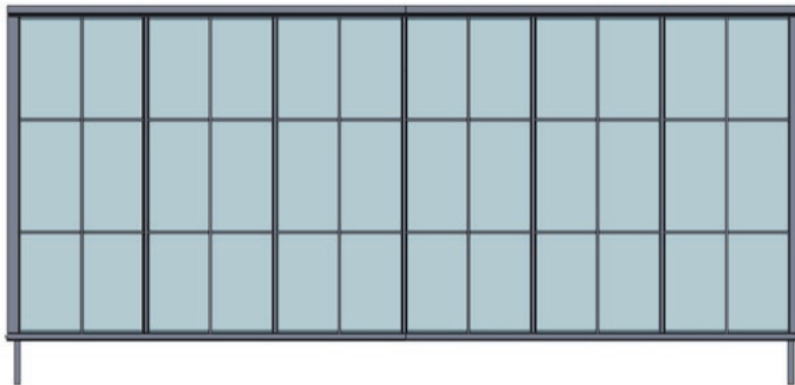
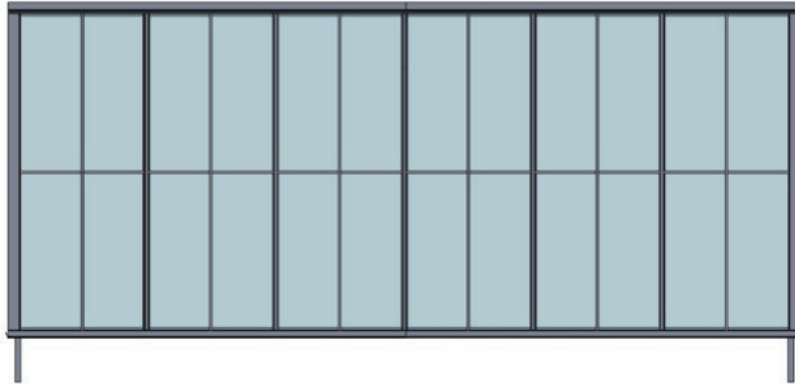
Insert doors into door profile and add stoppers



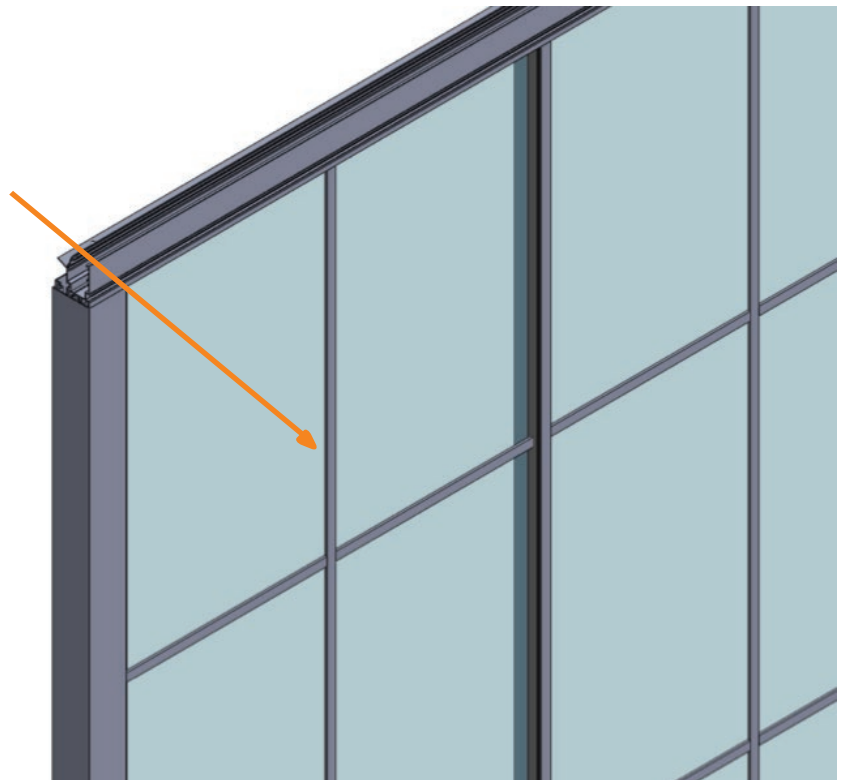
For double doors install 1 extra L profile

4 x Tapping screws 4,8x25

Window Crossbars (Optional)

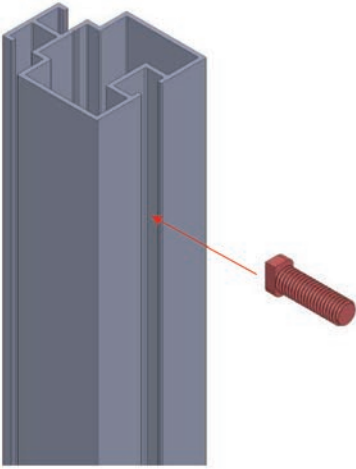


Glue to the window

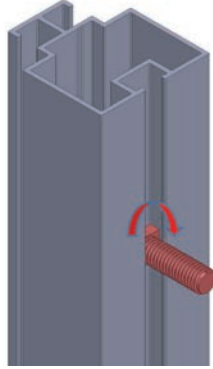


ACCESSORY MOUNTS

1. Insert the special screw into the profile



2. Turn it 90°



3. Attach the accessory and secure it with a nut

