



T-MODEL ORANGERY

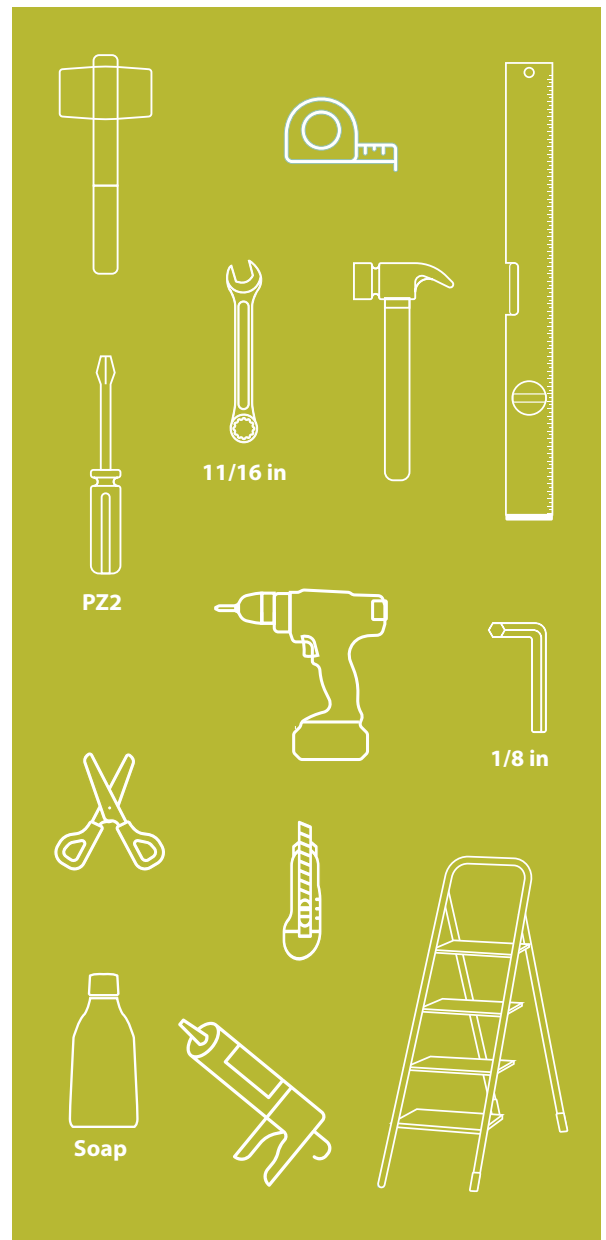
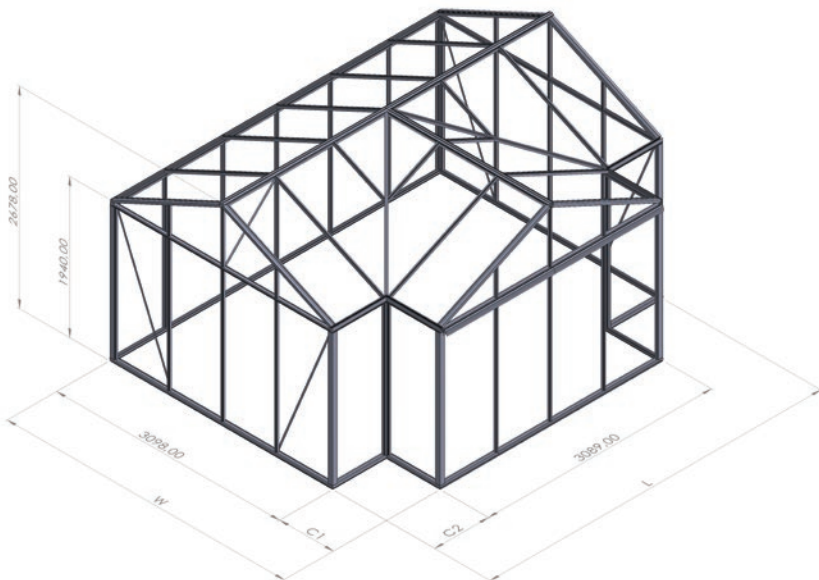


ASSEMBLY INSTRUCTIONS

Important: Read the entire instruction before starting the assembly. Strictly follow all the instructions provided in this manual and carry out all of the stages of the installation process in the specified order. Failure to comply with these rules may lead to incorrect fitting of the decorative laths and the occurrence of visual defects. The warranty certificate is void if it is found that damage has been caused by incorrect installation. The base on which the product is to be installed must be flat and without significant differences in level. The product must be attached to the base. Note: Use lube for all screws to prevent them from breaking. Make sure that the greenhouse pallet cannot tip over and cause accidents. Make sure that the ground where you put the pallet is in level. Installing two ground spikes to the pallet will prevent it from tipping. Do not remove all the wooden rules inside the pallet. Only remove the ones that are necessary to access the part you need.

Installation requires at least 2 people.

NECESSARY TOOLS – rubber mallet, measuring tape, spirit level, PZ2 screwdriver, wrenches 3/8 in, 1/2 in, and 11/16 in, cordless drill, 1/8 in hex key, utility knife, soap for rubber when oil is not enough, silicone gun and silicone, ladder.



W (in)	L (in)	H (in)	Side height (in)	Door / Side height (in)	Area (ft ²)	Roof windows
151.57"	180.71"	105.12"	72.44"	72.83"	177.82 ft ²	2
180.71"	239.37"	105.12"	72.44"	72.83"	252.41 ft ²	2
209.84"	298.03"	105.12"	72.44"	72.83"	322.92 ft ²	6

WIND WARNING

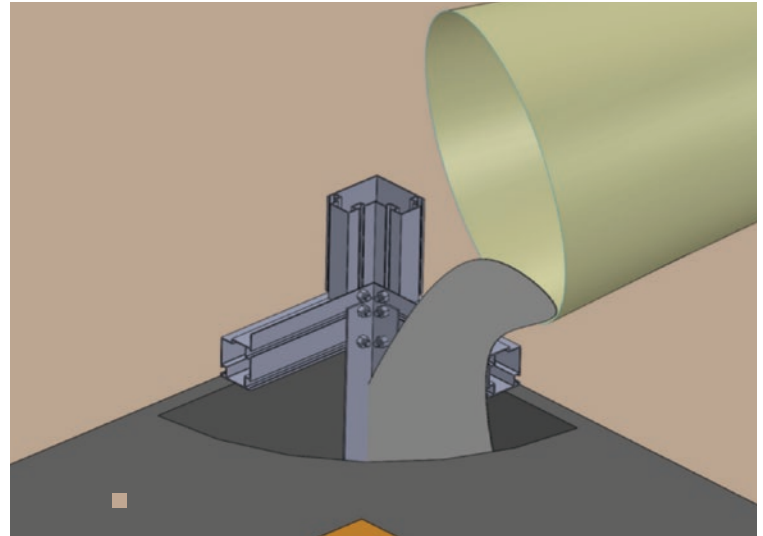
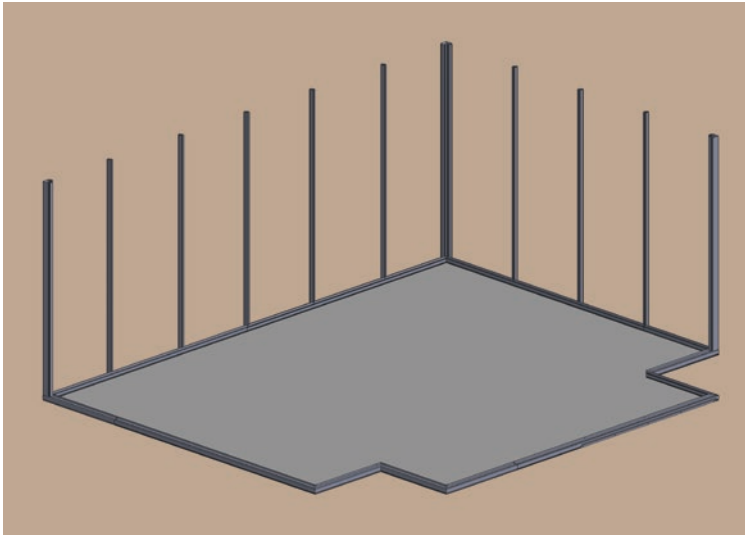
The manufacturer assumes no responsibility for damage caused by strong winds or storms. The structure must be secured according to the fastening options specified in the assembly instructions. During storms, all doors and windows must be closed.

SNOW WARNING

Snow must be removed regularly from the roof. Excess snow load may cause structural failure. Damage caused by snow overload is not covered by warranty.

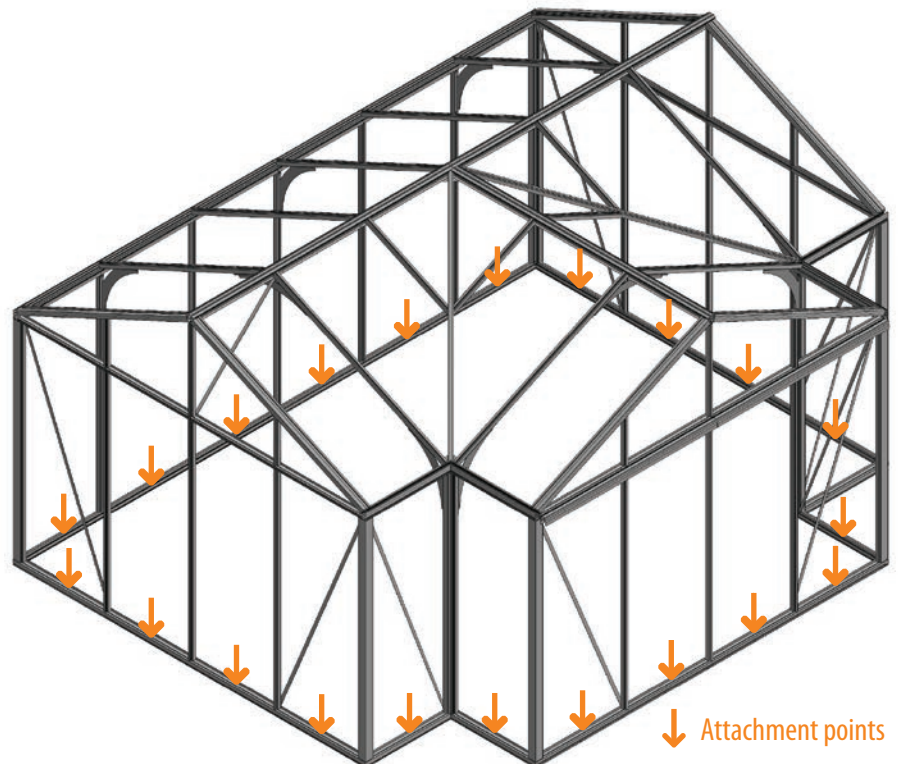
FOUNDATION PLAN

4 corners are concreted, the base profile placed on a solid foundation



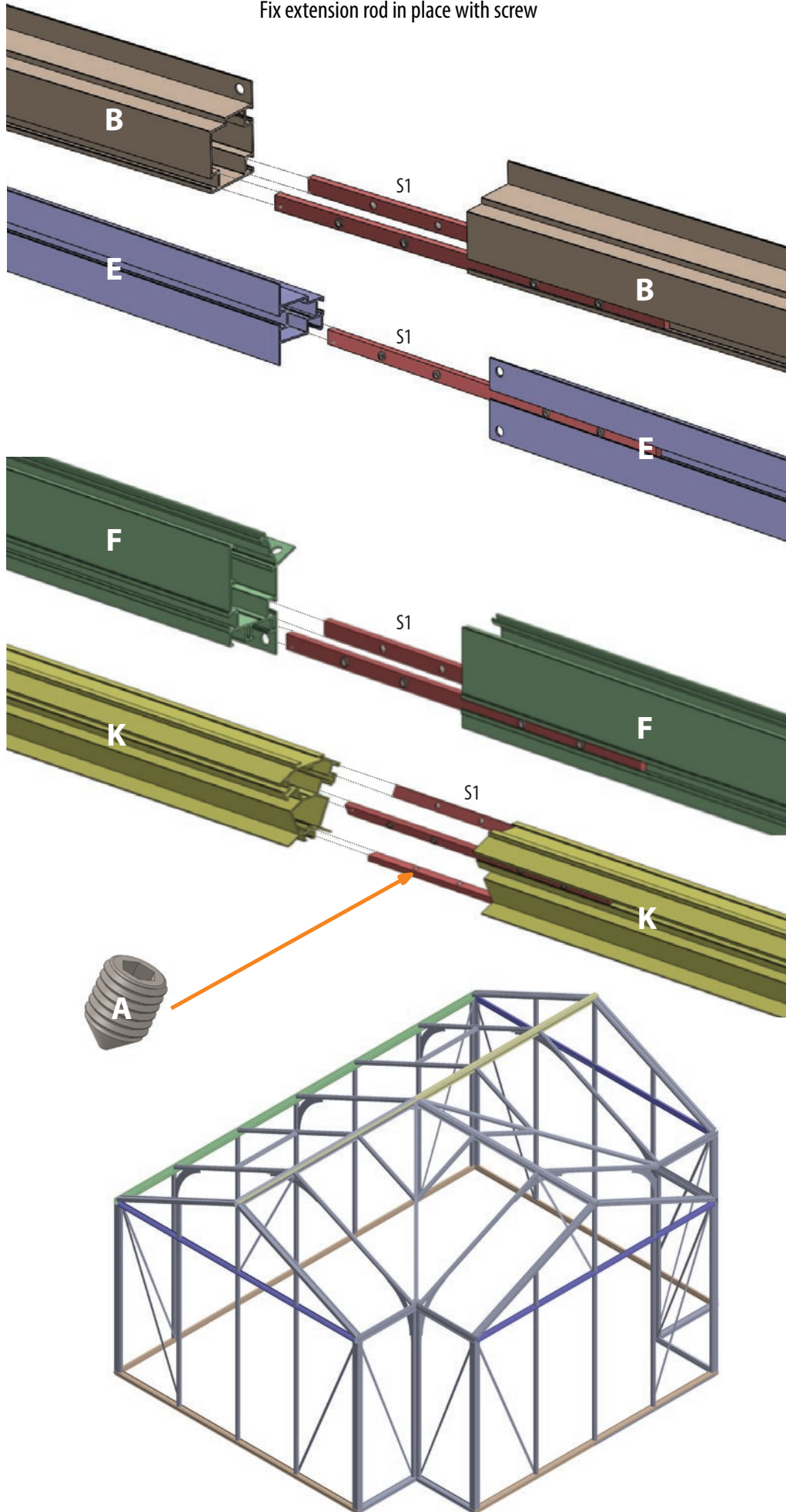
IF CORNER REINFORCEMENTS ARE NOT USED

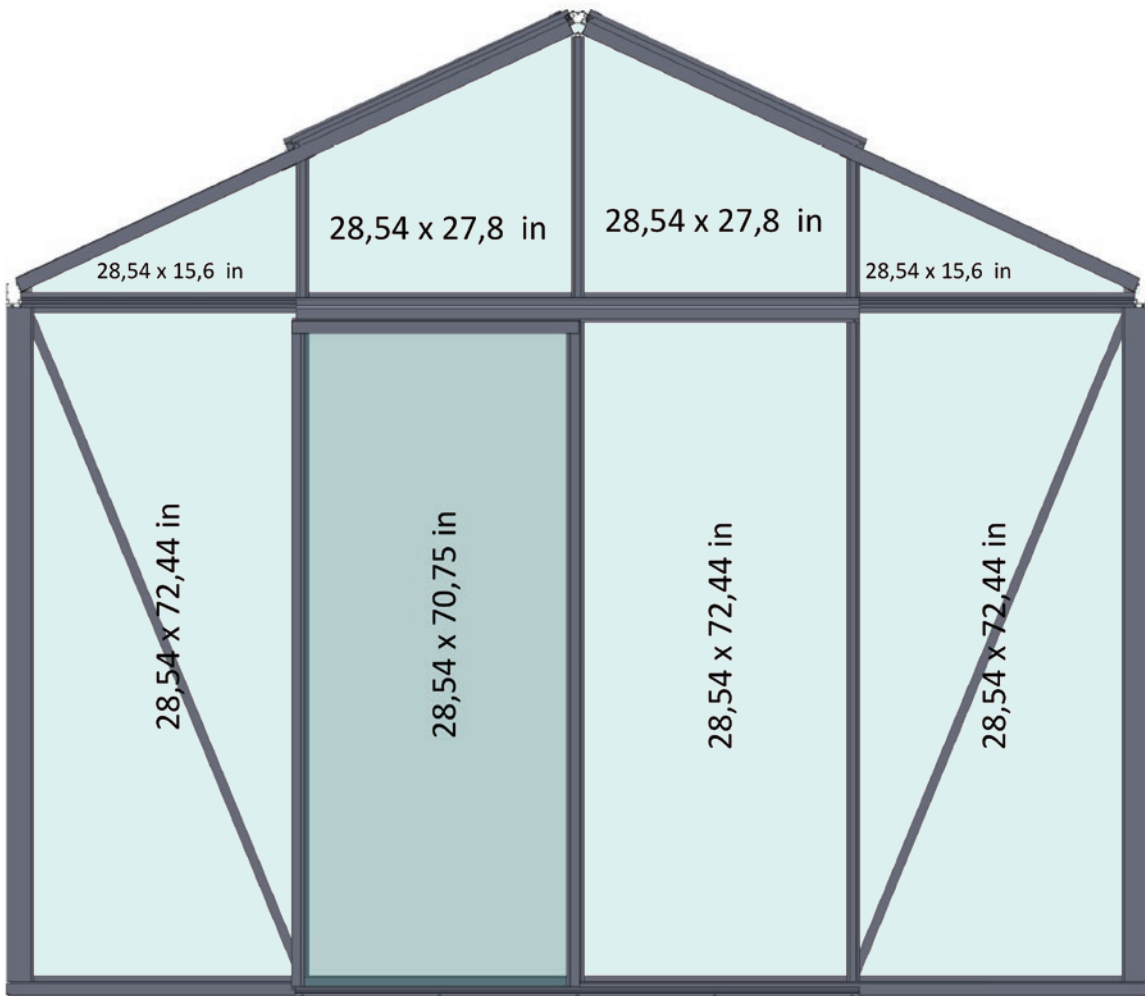
1. Drill holes in profile
2. Secure base with dowel and screw
3. Use plastic covers for holes

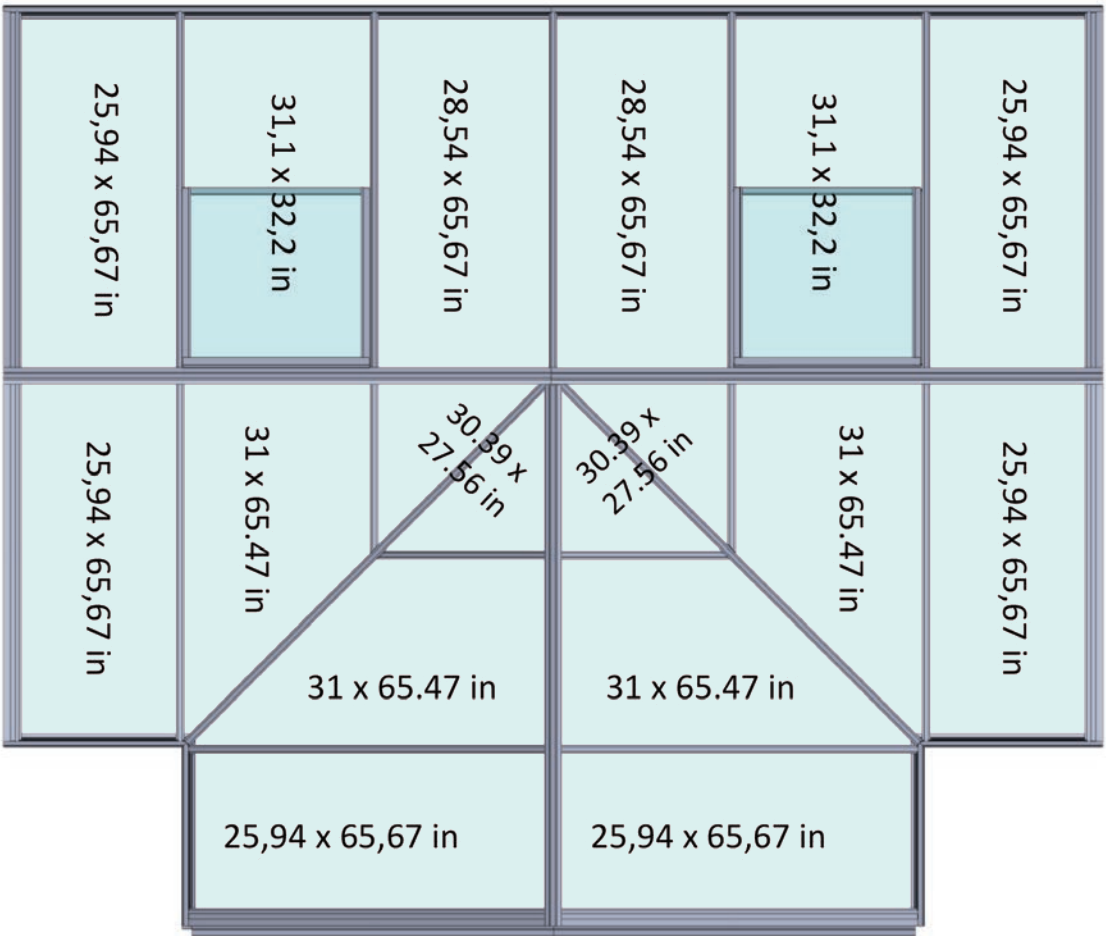
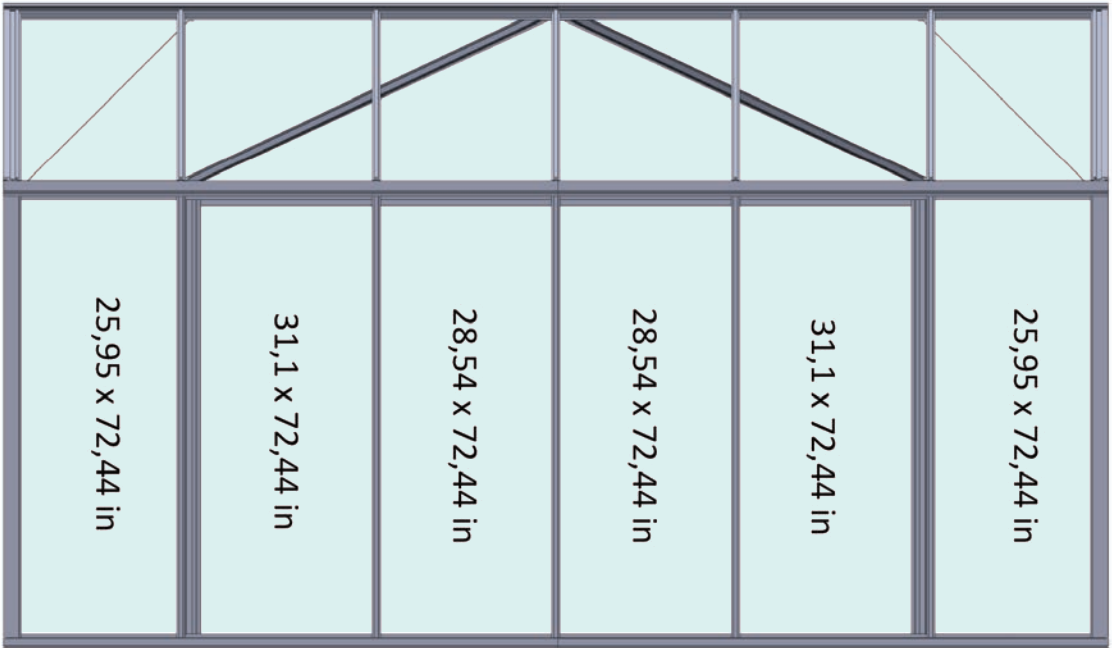


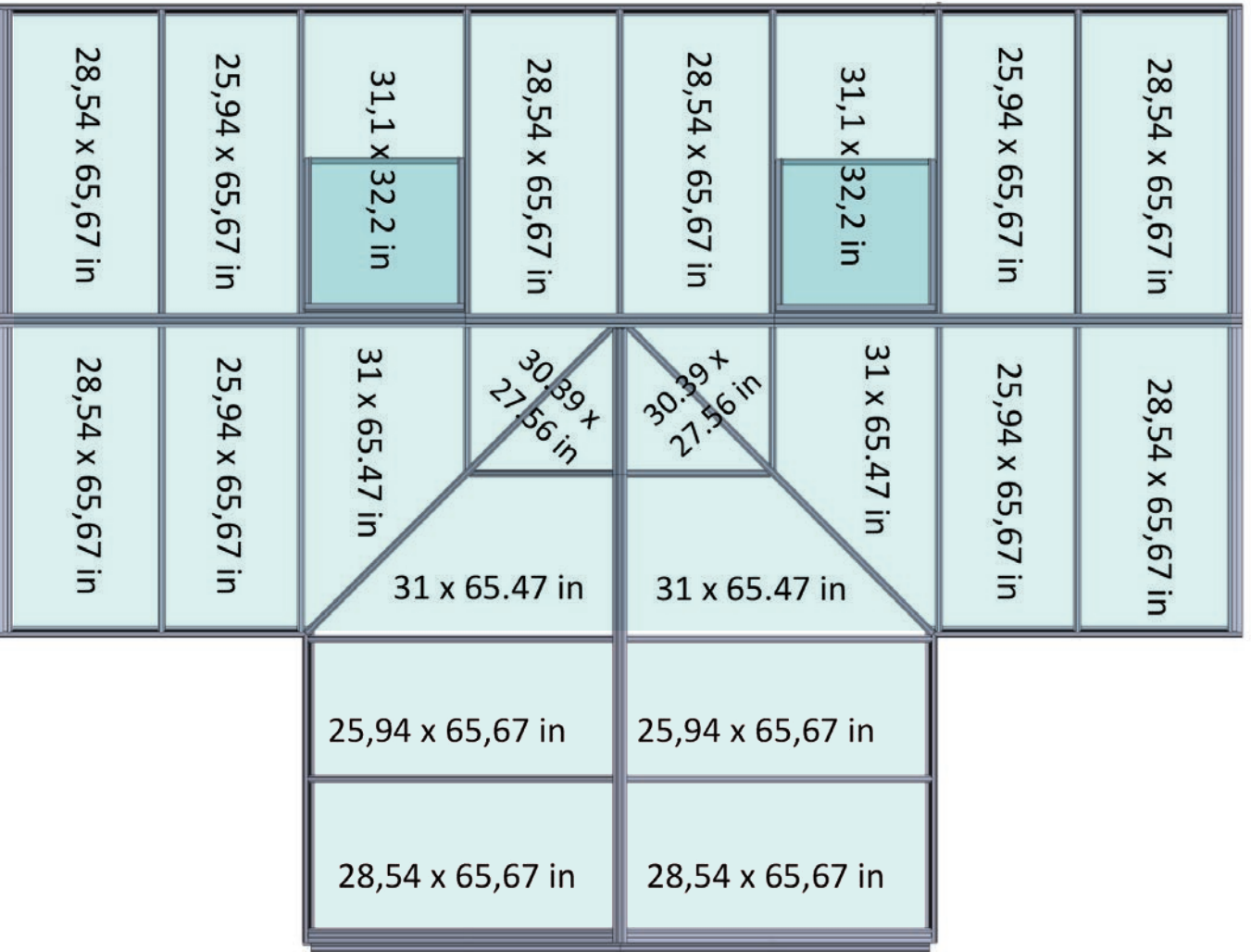
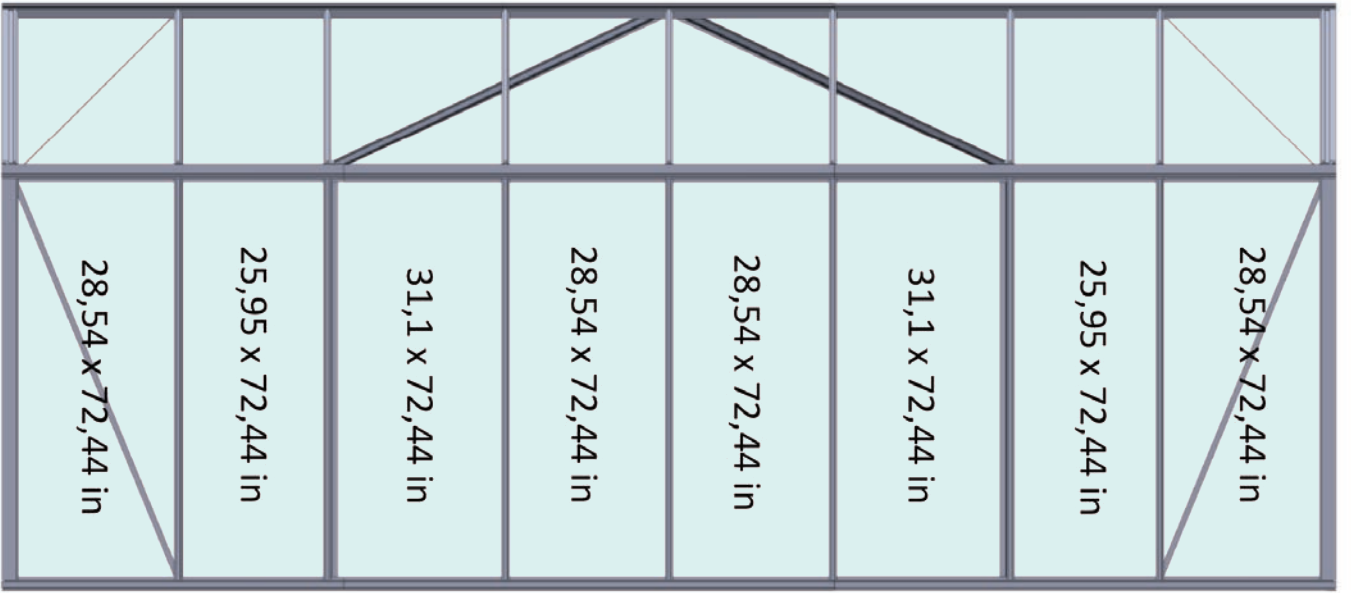
EXTENSIONS

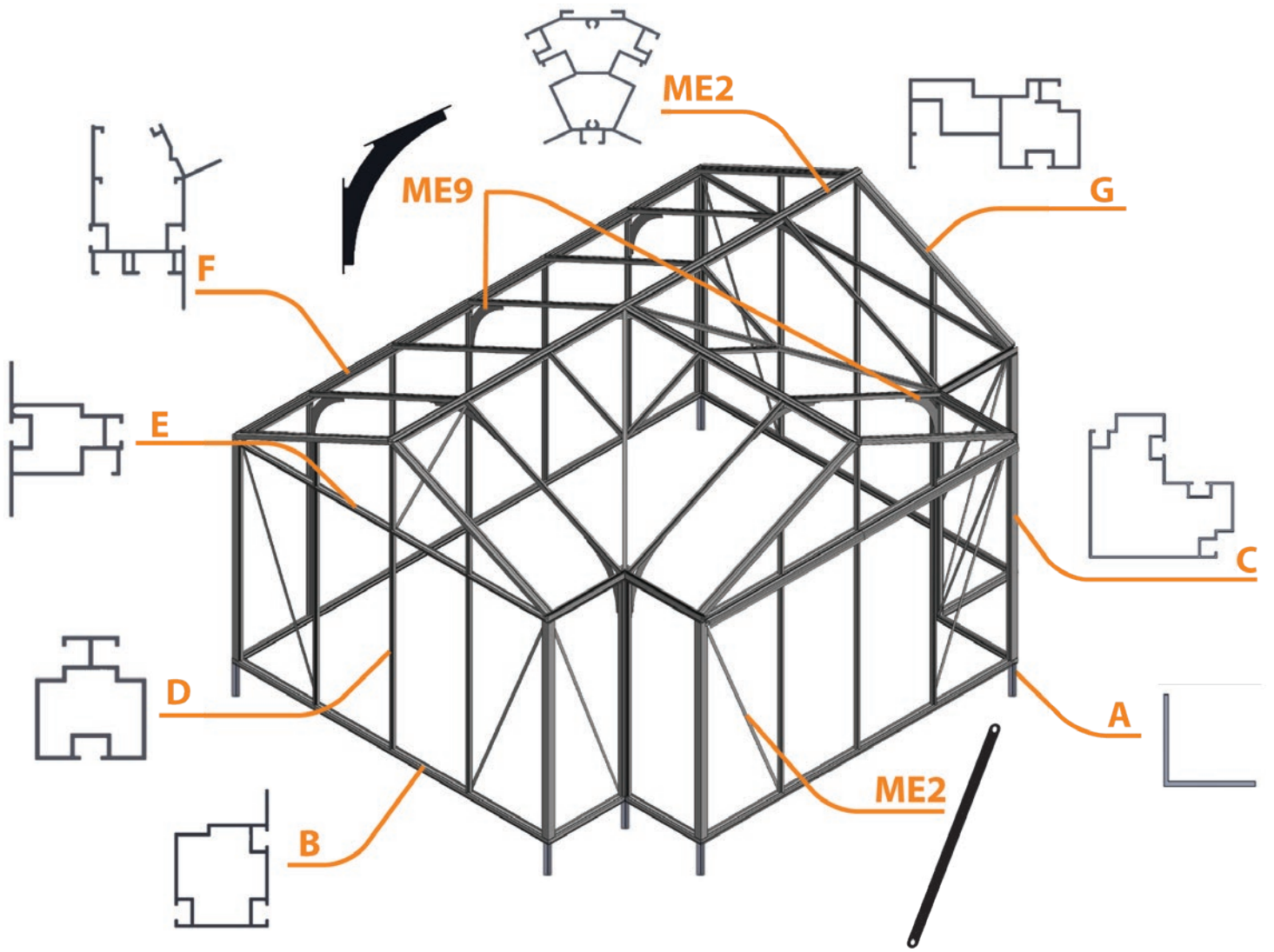
Fix extension rod in place with screw



































































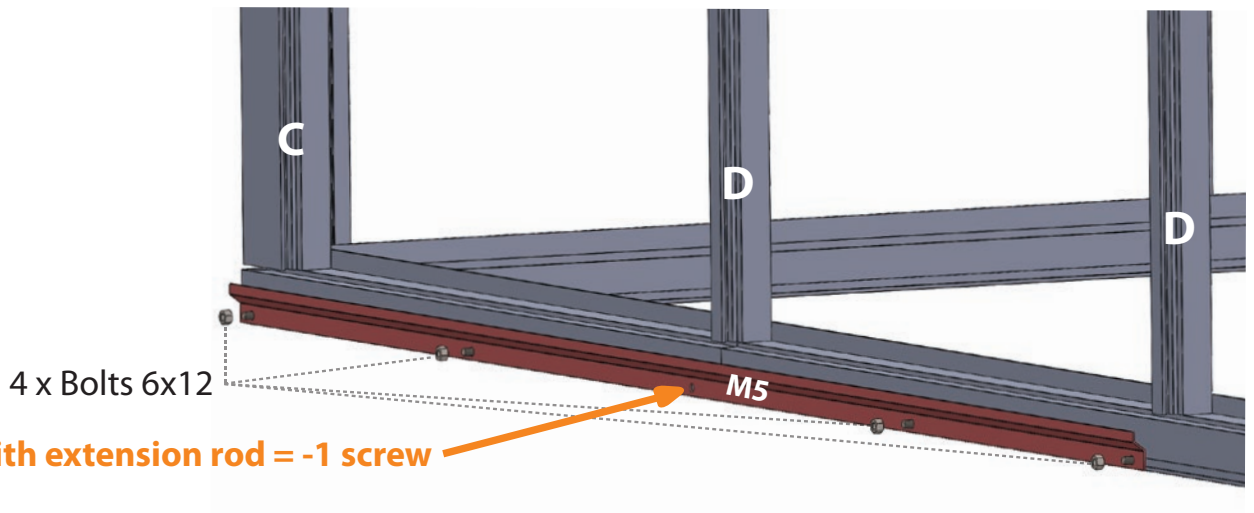
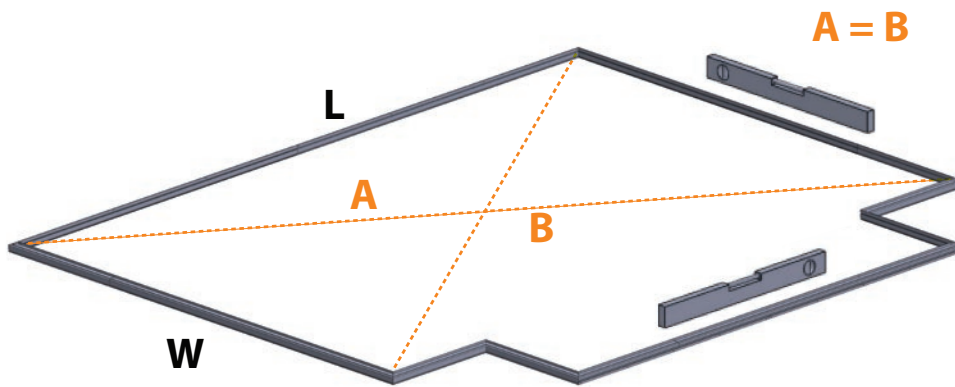
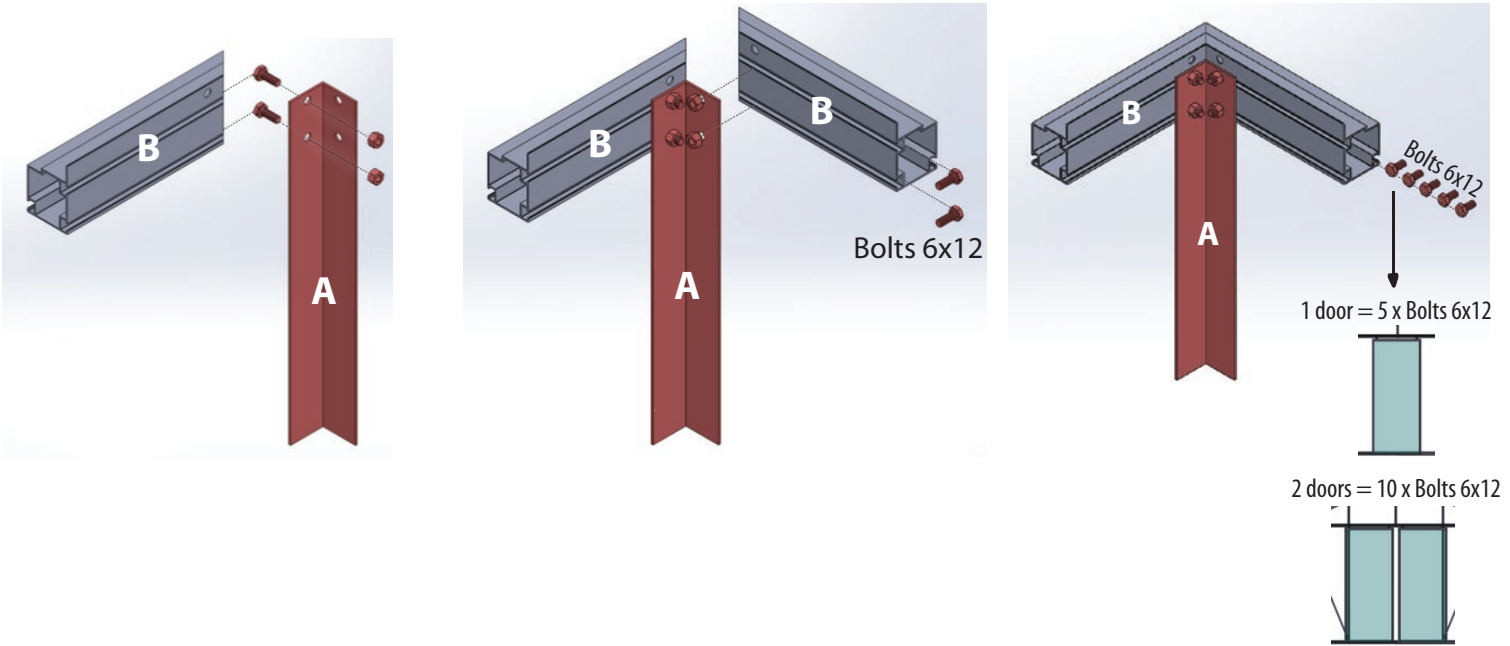
CLASSIFICATION OF PARTS

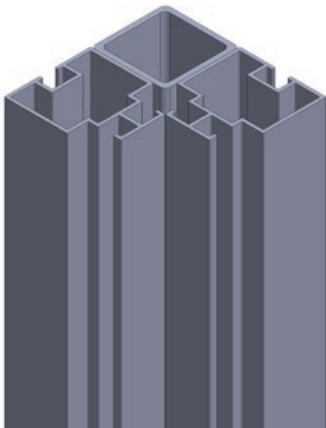
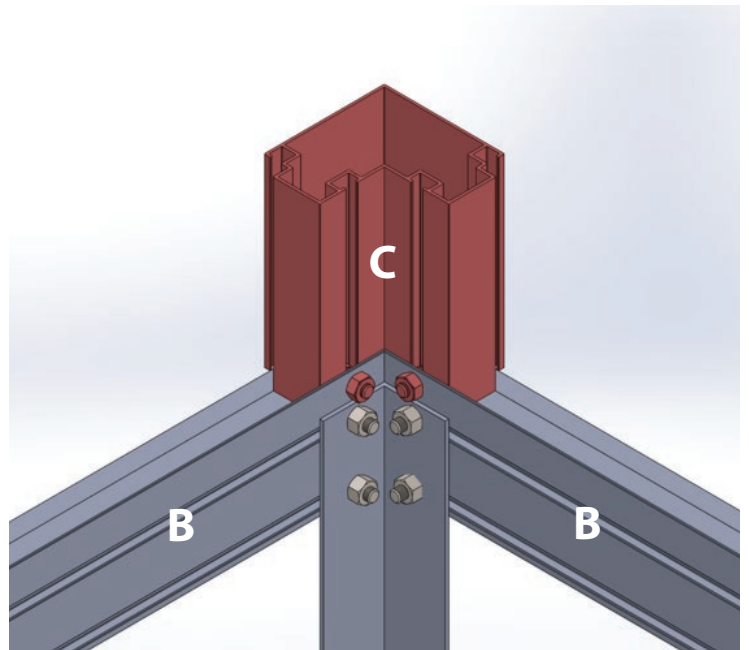
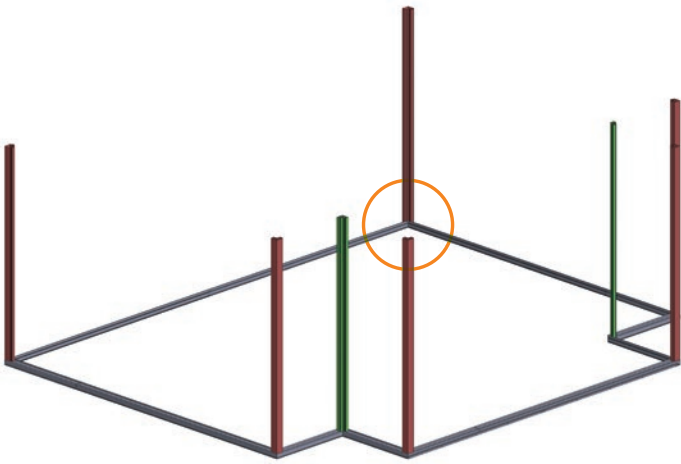
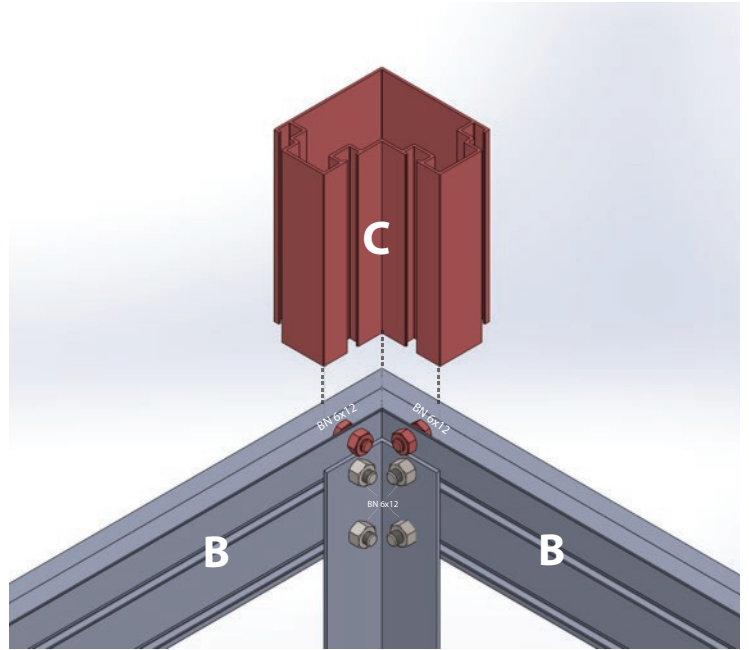
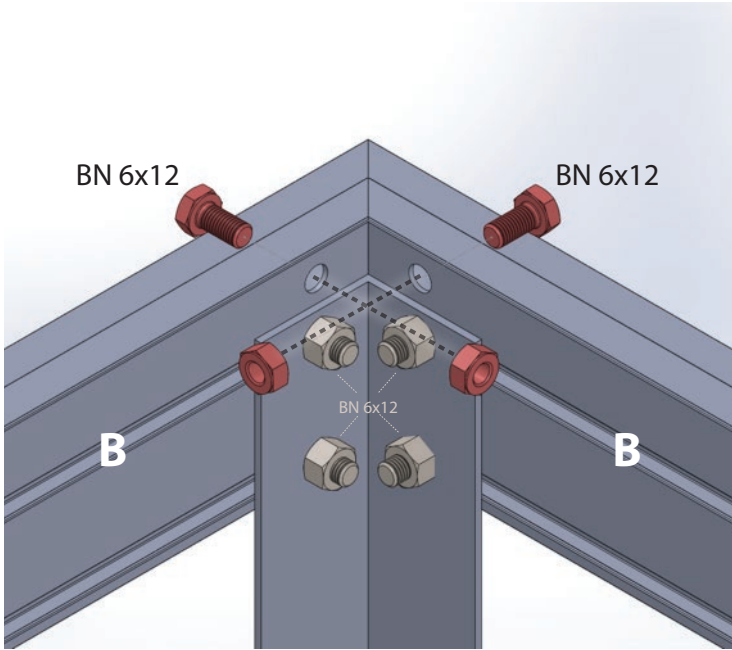
Part description, code and size		151,34x180,7	180,7x239,44	209,84x298	
	Size (inch)				
	B2	90	3	3	3
	B3	32	3	3	3
	B6	61,34			1
	B8	88,11		1	
	B20	31	2		
	B21	31	2		
	B22	60,35		2	
	B23	60,35		2	
	B24	90	1		
	B25	90,71	1		
	B26	90		1	
	B27	61,34		1	
	B28	89,72			2
	B29	89,72			2
	B30	58,74			1
B31	88,11			1	
B32	90			1	
	C1	72	6	6	6
	D1	72	18	24	30
	I1	65	9	15	21
	I2	14,92	3	3	3
	I3	27,8	3	3	3
	I4	14,92	3	3	3
	i20	88,5	2	2	2
	i21	31,57	2	2	2
	i22	31,57	2	2	2
	i23	30,51	2		
	i7	28			6
	i656	25,43		4	
	E1	88,39	3	3	3
	E2	30,35	3	3	3
	F6	61,3			1
	F8	88,11		1	
	F20	31,57	2		
	F21	31,57	2		
	F22	60,94		2	
	F23	60,94		2	
	F24	90,28			2
	F25	90,28			2
	F26	58,74			1
	F27	88,11			1
	F28	90			1
	F29	90	1		
	F30	90,67	1		
	F31	90		1	
F32	61,3		1		
	G1	65	6	6	6
	K20	89,84	1		
	K21	29,21		1	
	K22	90		3	
	K26	90	1		
	K27	90,67	1		
	K28	90			3
	K29	61,3			1
	K30	56,89			1
	K31	58,62			1
	K35	59,45		1	

	L1	30,63			6
	L3	30,63			6
	L710	28		4	
	L710.2	28		4	
	L20	33,15	2		
	L2	32,52	4	8	12
	L21	33,15	2		
	M1	30,63	1	1	1
	M2	71,1	2	2	2
	M3	30,63	1	1	1
	M4	60,24	1	1	1
	M5	60,24	1	1	1
	M7	71,65	3	3	3
	S1	11,81	19	30	48
	ME1	41,85	3	3	3
	ME2	78	6	12	12
	ME20	77,13	2	4	4
	ME9	11.81 x 11.81	3 sets + 1 side part	3 sets + 1 side part	6 sets + 1 side part
	ME5	1.38 x 1.38	11	13	15
	ME6	2.36 x 2.36	4	8	12
	ME7	23,5	2	4	6
	ME8	2	18	32	44
	A1	1.38 x 1.38 x 11.81	8	8	8
	A3	0,6x0,6x28	1	1	1
	A2	0.59 x 0.59 x 71.1	1 if double doors		
	S2	2.76 x 0.55 x 0.08	1 if double doors		
	SQT	1,2x1,2x0,12	2	2	2
	Glazing rubber (ft)		630	790	950
	Brush strip (in)		142	142	142
	Down pipe bend 90° - Ø1,38 in		3	3	3
	Sliding roller		2	2	2
	Bolts 6x12		180	210	260
	Bolts 6x30		6	8	10
	Nuts 6x1		190	220	270
	Bolts, washer, 2 nuts 7x20		3	4	6
	Bolts, washer, nuts 10x20		2	2	2
	Tapping screws 4,8x25		16	20	28
	Tapping screws 4,8x19		5	5	5
	Hexagon socket screws		80	120	192
	Nut caps		190	220	270
	Gutter end incl. downpipe		3	3	3
	Gutter end		3	3	3

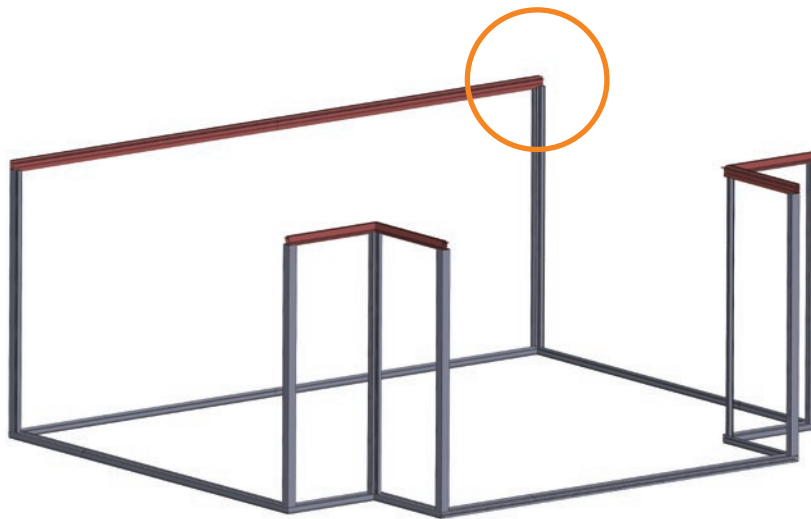
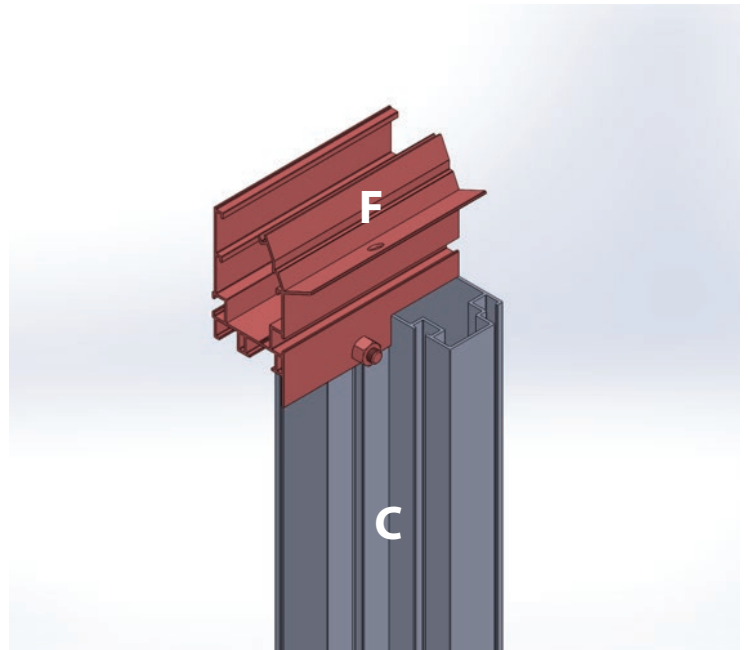
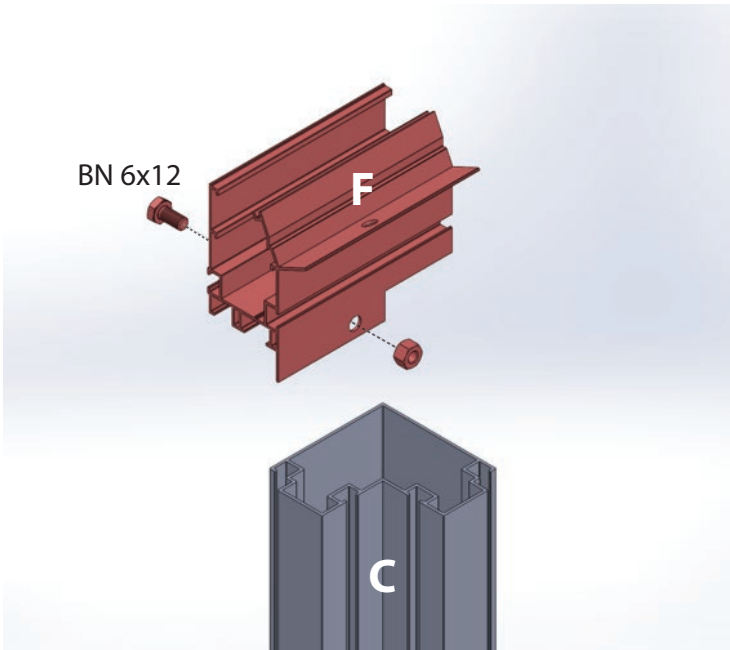
	Ridge end	3	3	3
	Railends (L) sliding door	1	1	1
	Railends (R) sliding door	1	1	1
	PVC piece gable	6	6	6
	Corner profile bracket	2	2	2
	Connection plate	1	1	1
	Connection plate 2	2	2	2
	RJC	1	1	1

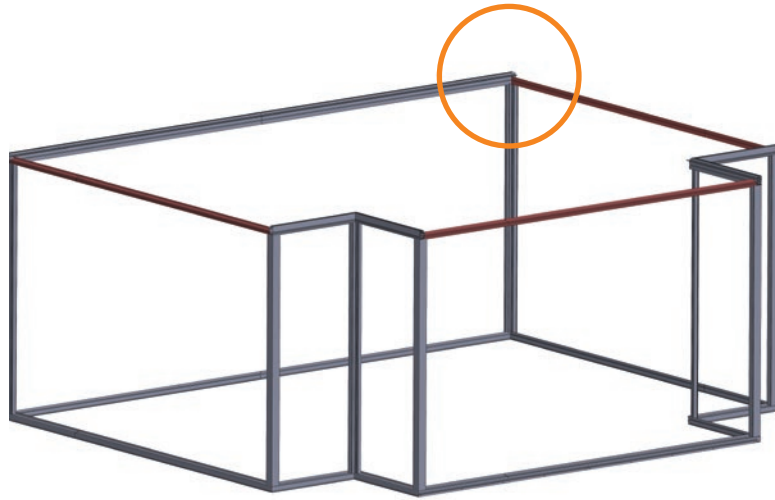
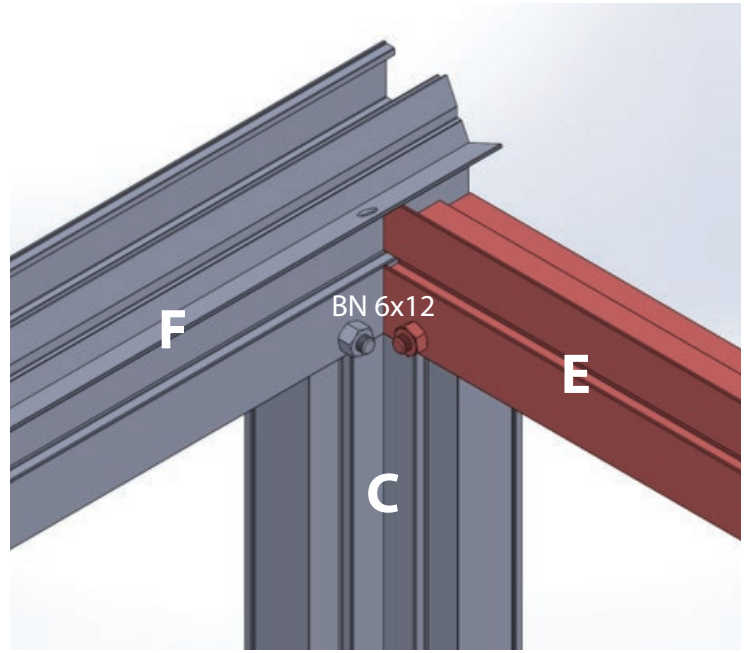
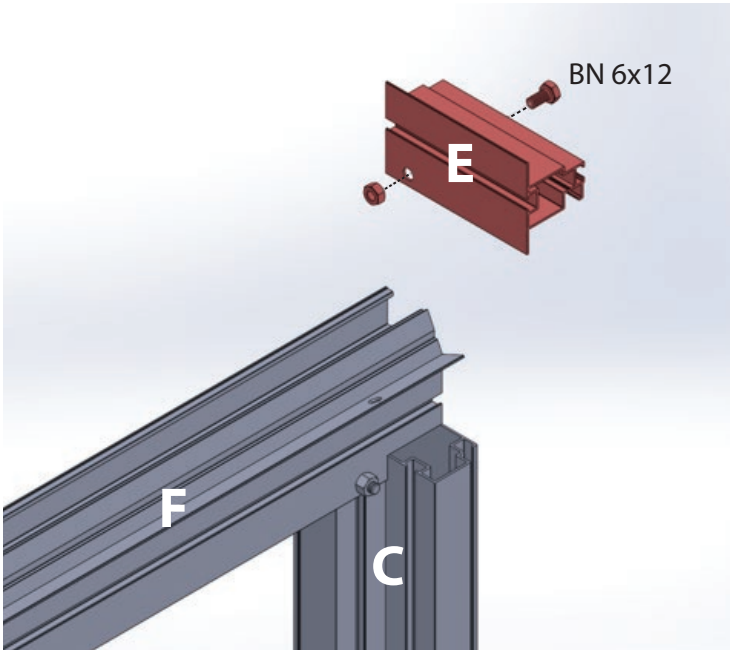
Glass				
	Gable 28,54 x 72,44 in	13	19	25
	Gable narrow 25,95 x 72,44 in	6	6	6
	Gable wide 31,1 x 72,44 in	2	2	2
	Sliding door 28,54 x 70,75 in	1	1	1
	Roof 28,54 x 65,67 in	2	8	8
	Roof narrow 25,94 x 65,67 in	6	2	6
	Roof wide 31,1 x 65,67 in		2	2
	Roof window / Underneath RW 31.1 x 32.2 in	4		
	Roof window / Underneath RW 28,54 x 32.2 in			12
	Roof window / Underneath RW 25.94 x 32.2 in		8	
	Side shape window 28,54 x 27,8 in	6	6	6
	Side triangle window 28,54 x 15,6 in	6	6	6
	Roof big shape window 31 x 65.47 in	4	4	4
	Roof small triangle 30.39 x 27.56 in	4	4	4

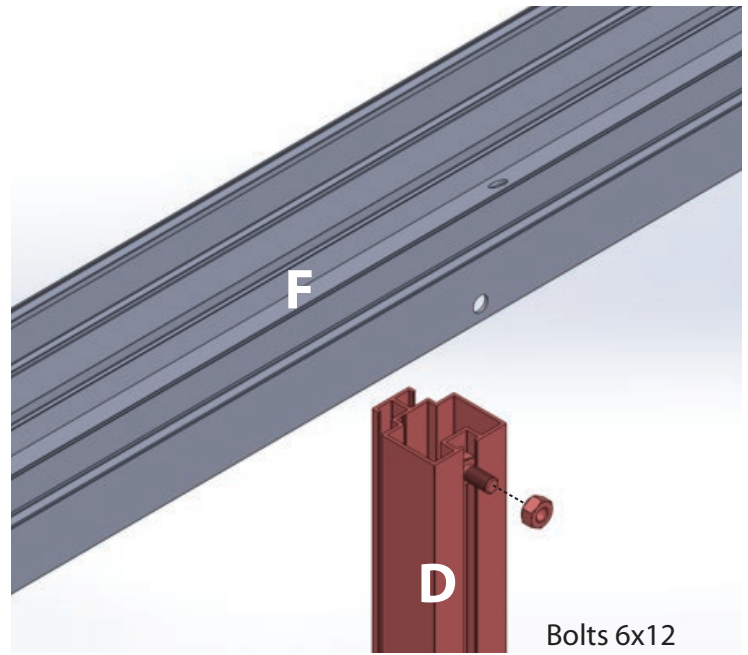
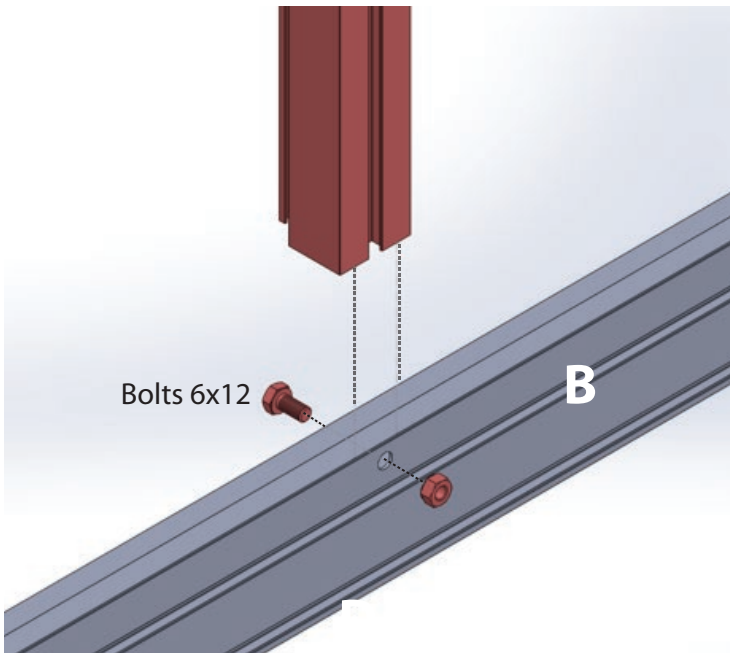




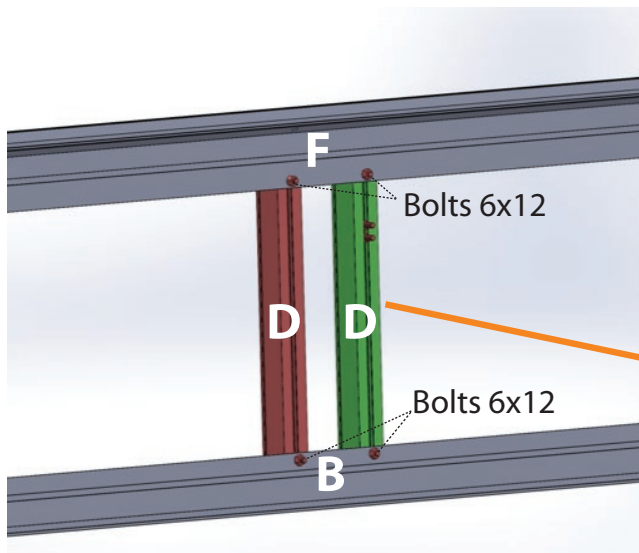
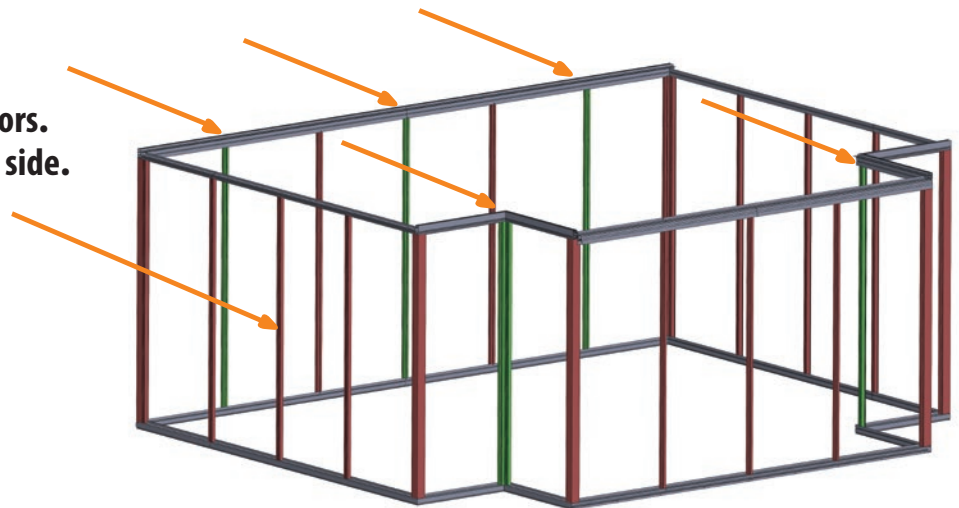
1 3/16" x 1 3/16" square tube used in inner corners



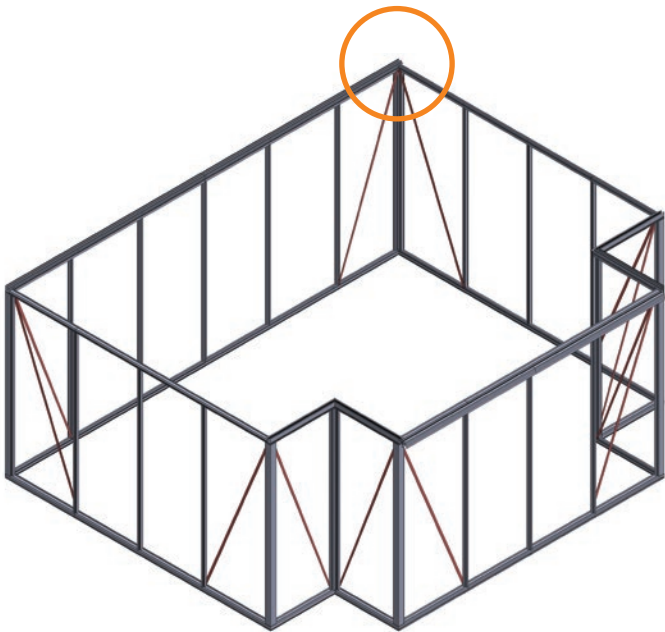
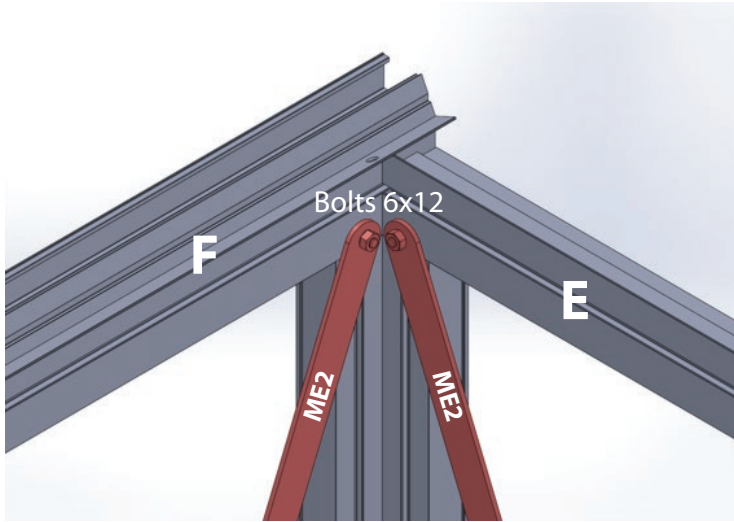
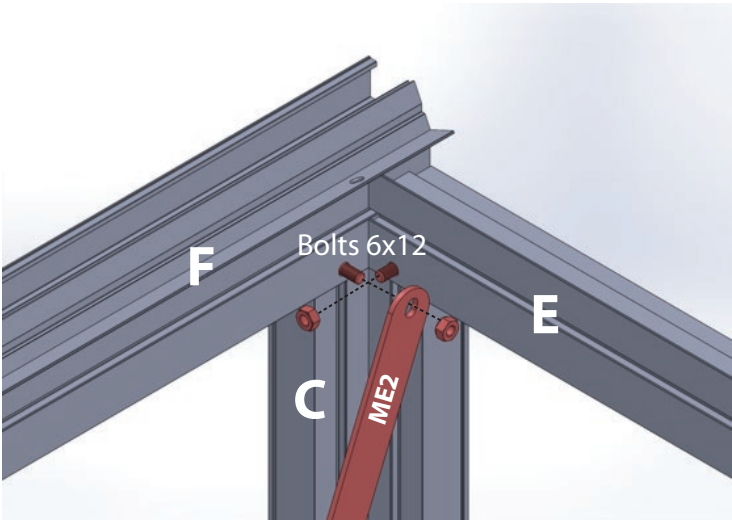
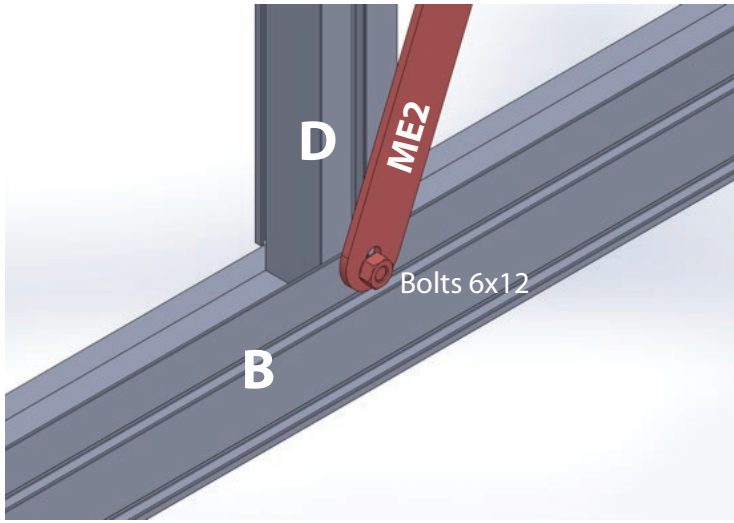
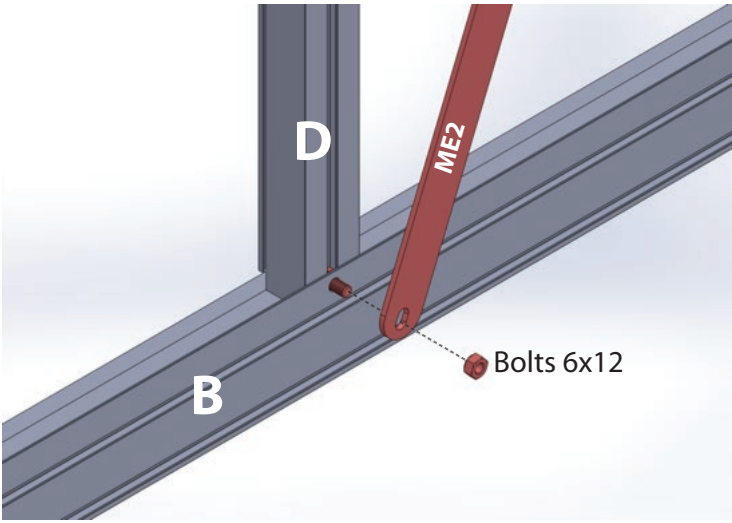




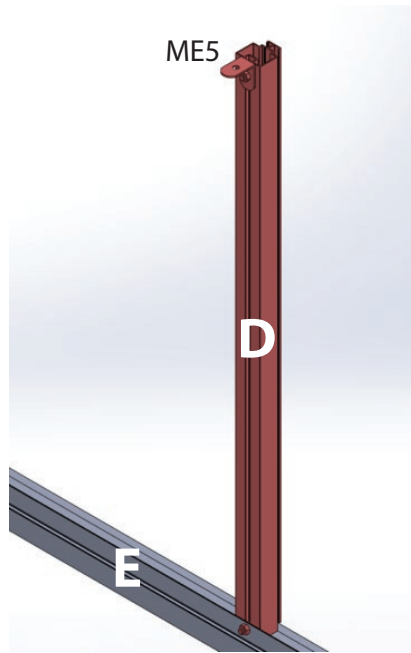
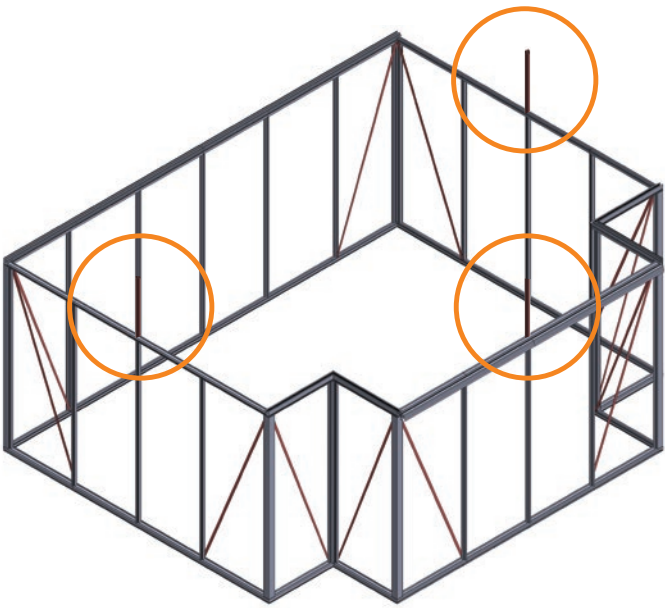
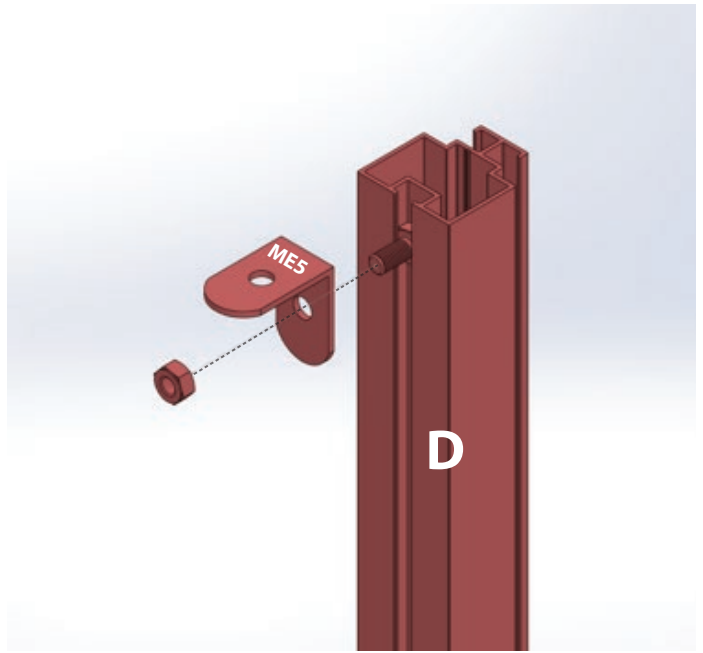
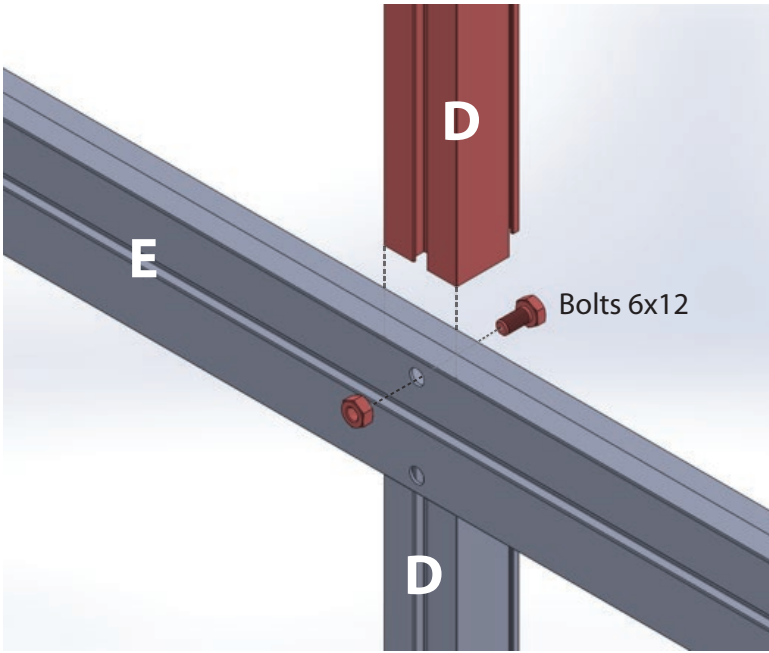
**Middle profile NOT installed if double doors.
Doors can be installed on short and long side.**

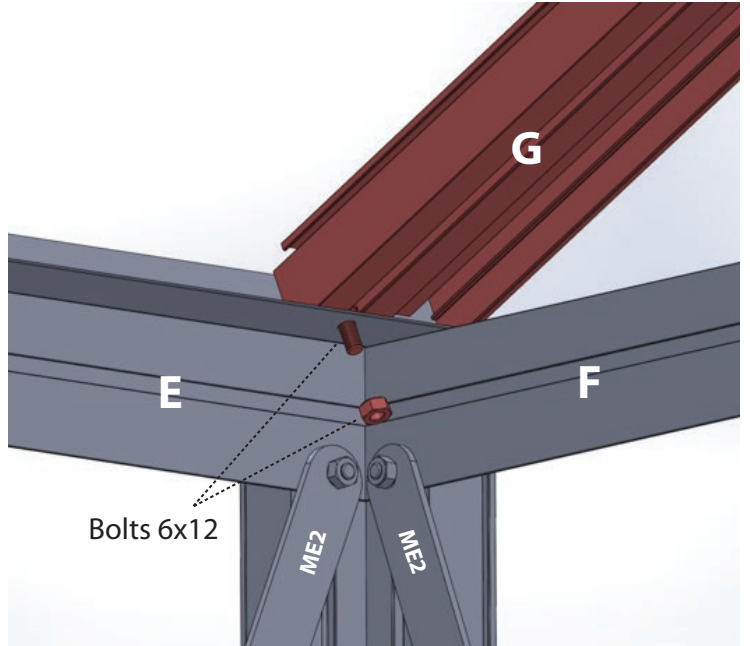
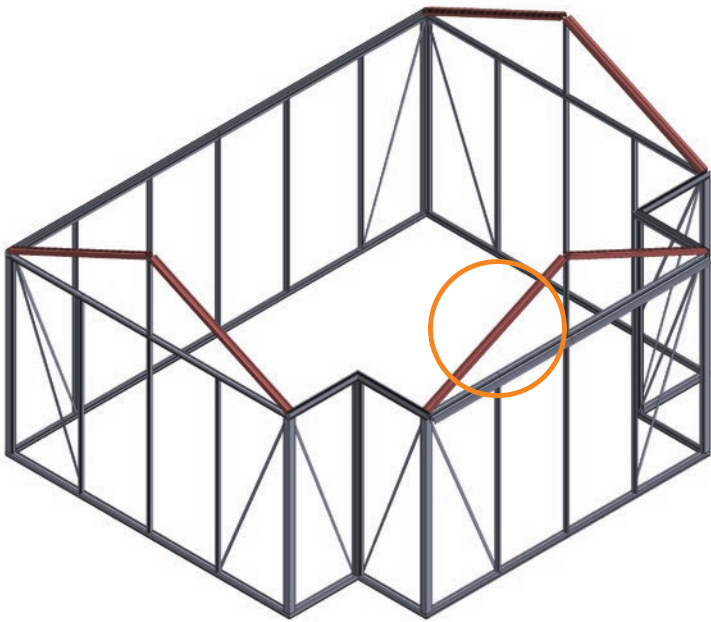
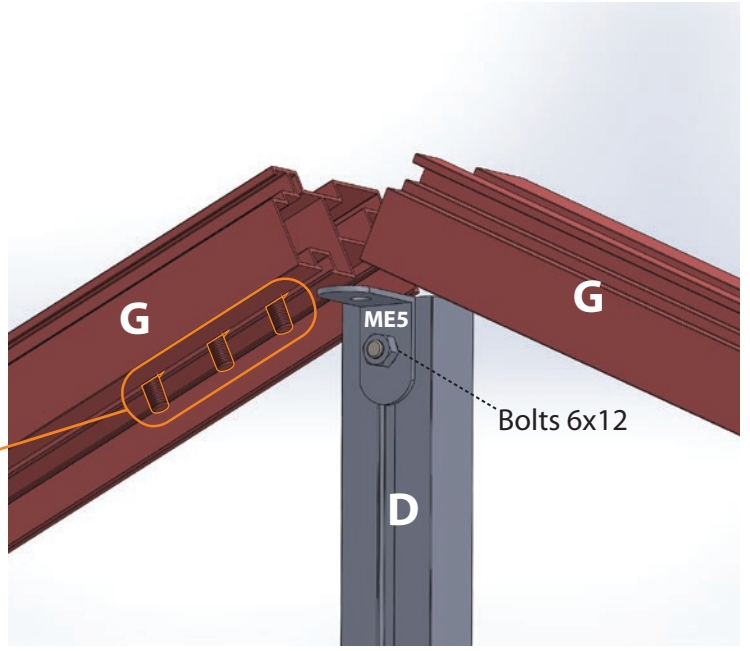
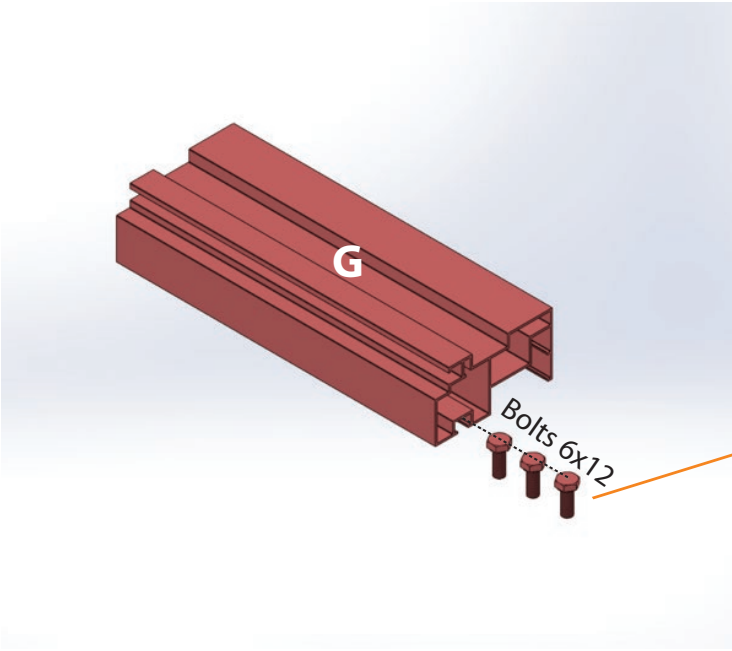


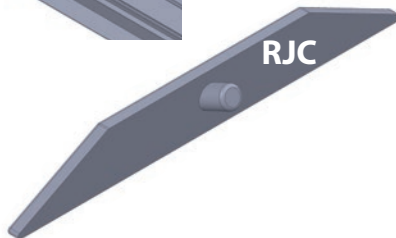
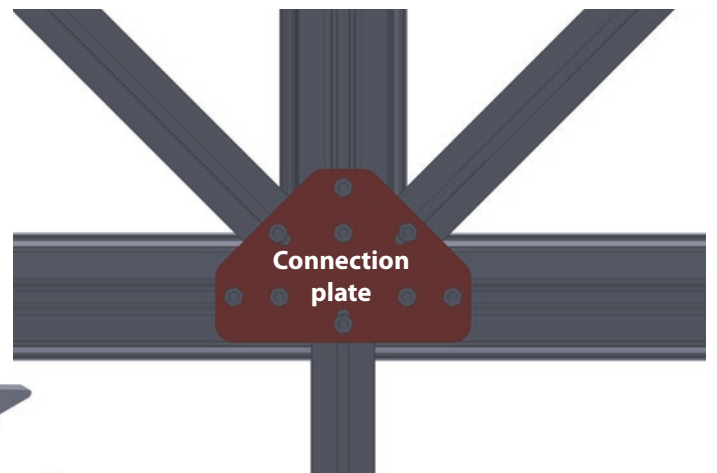
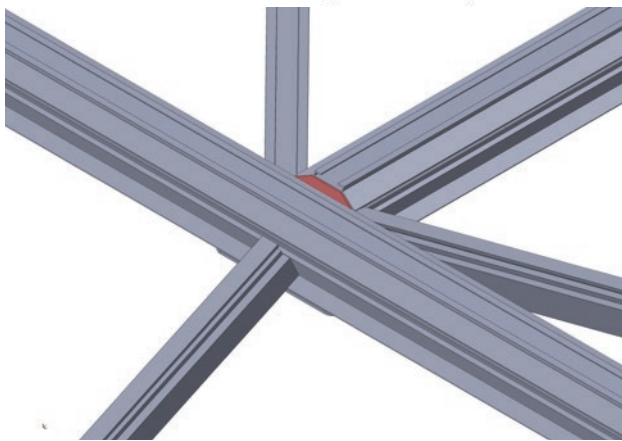
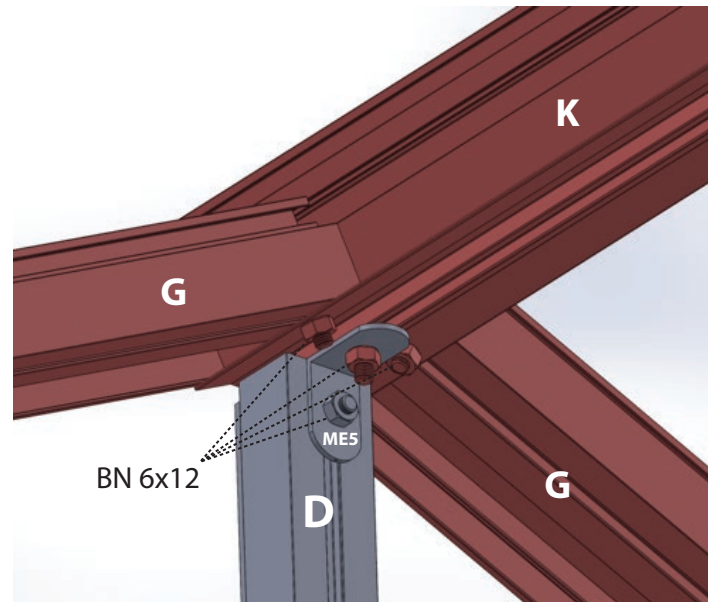
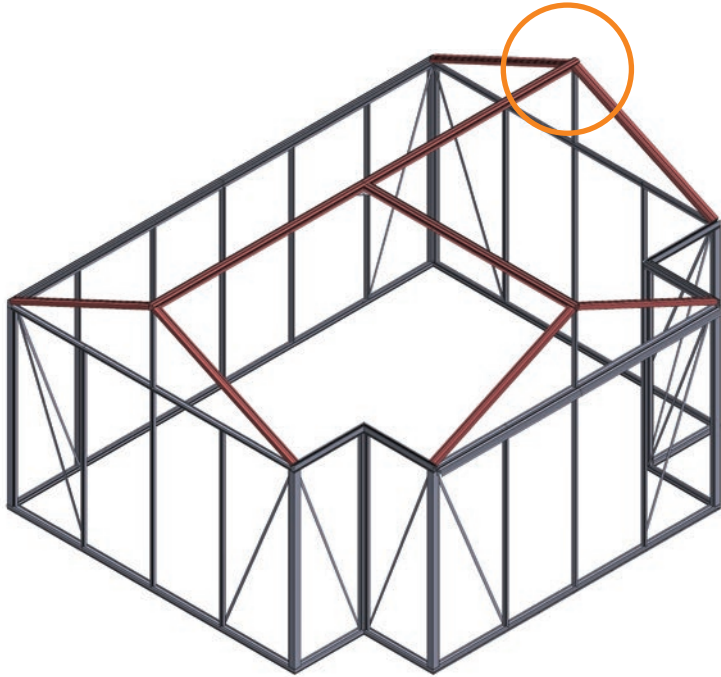
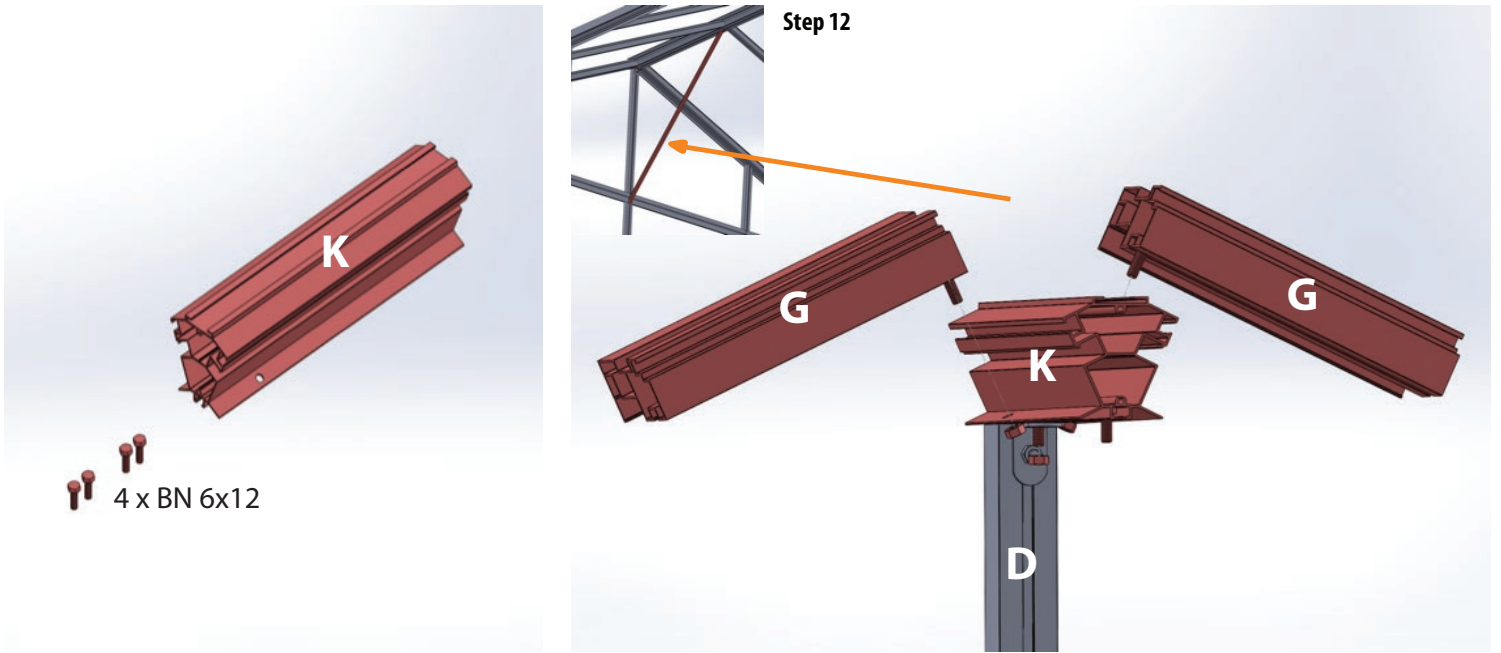
Step 15

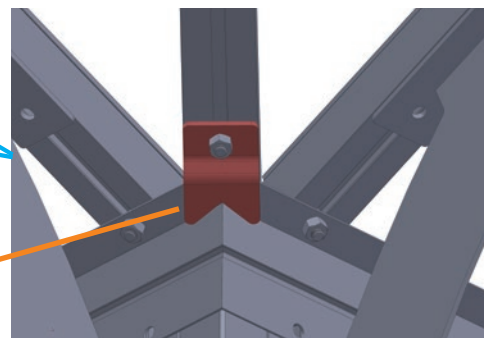
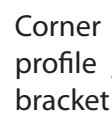
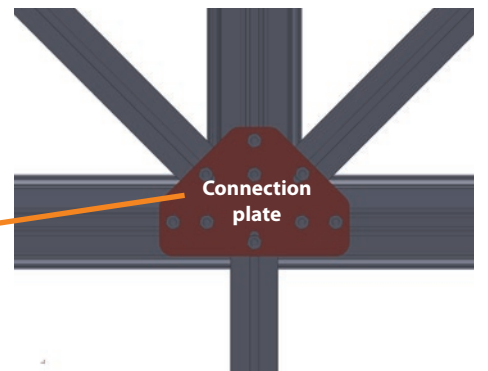
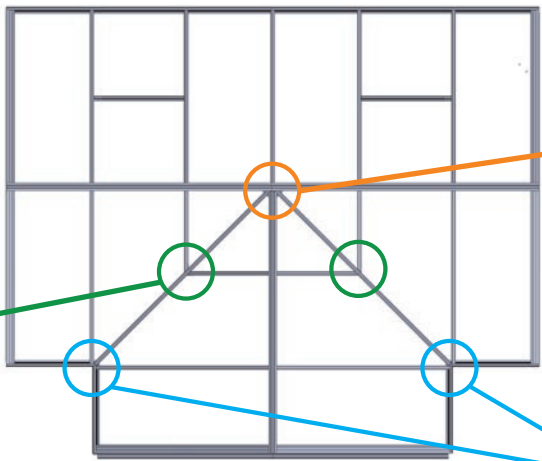
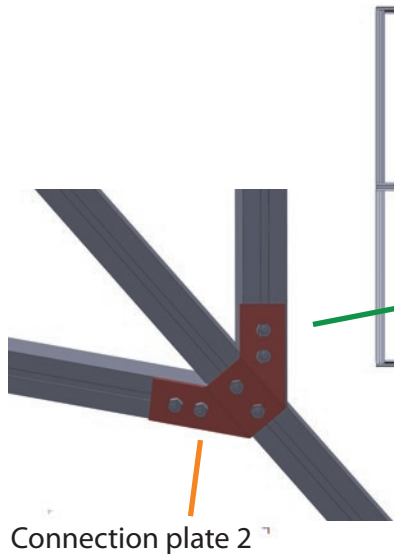
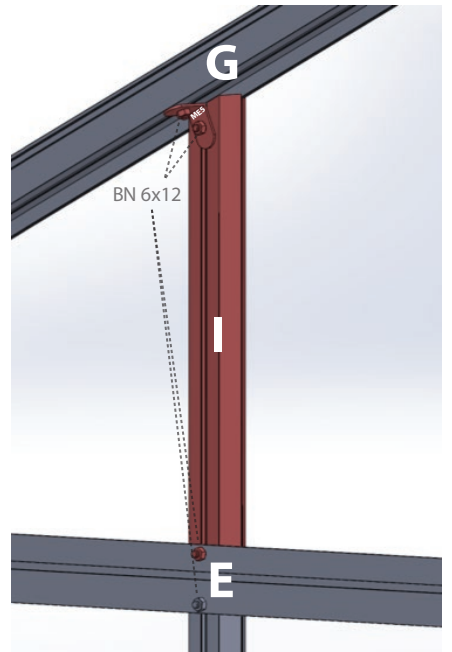
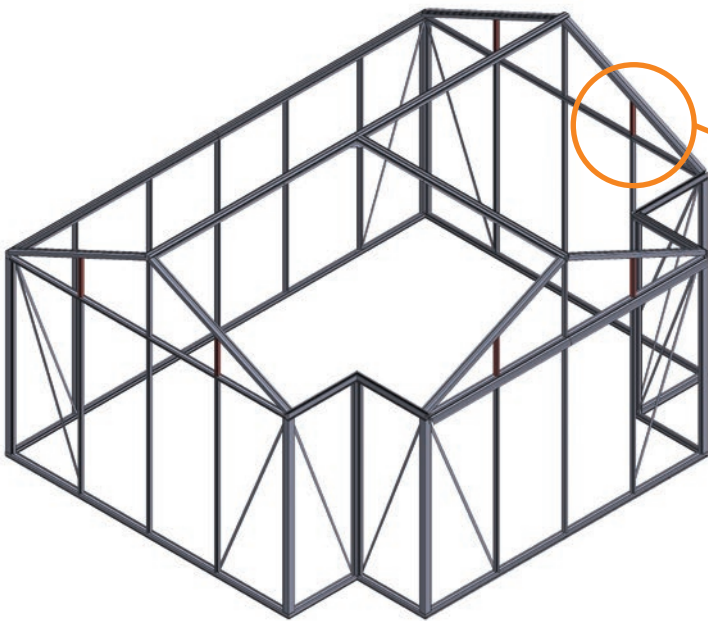
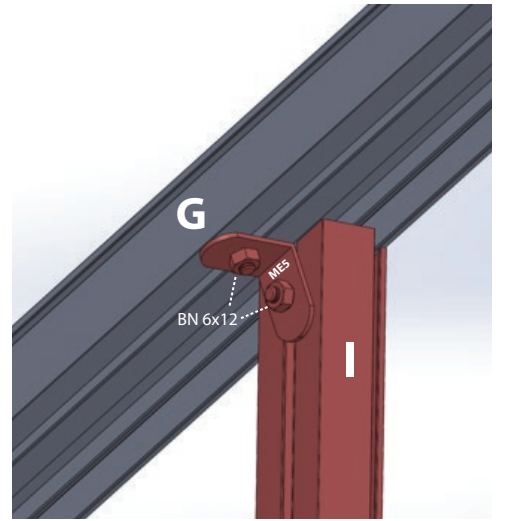
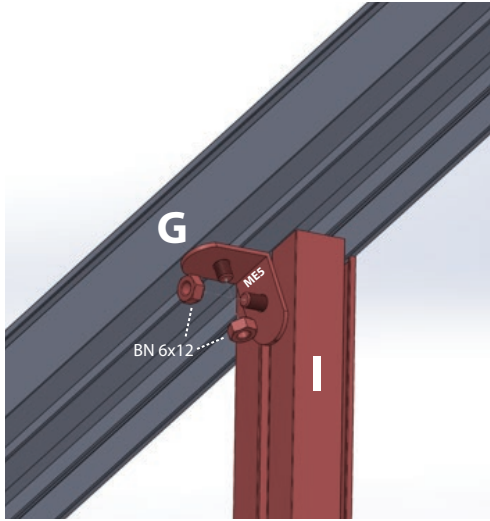
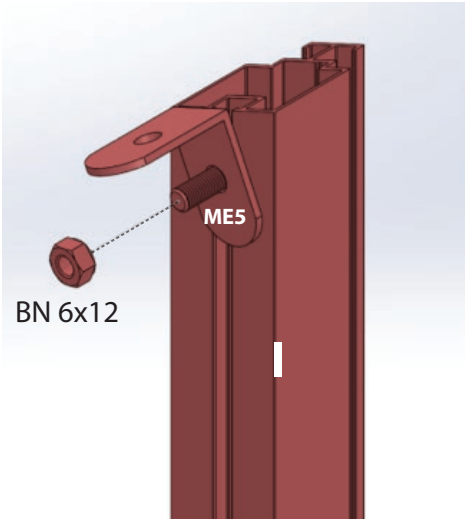


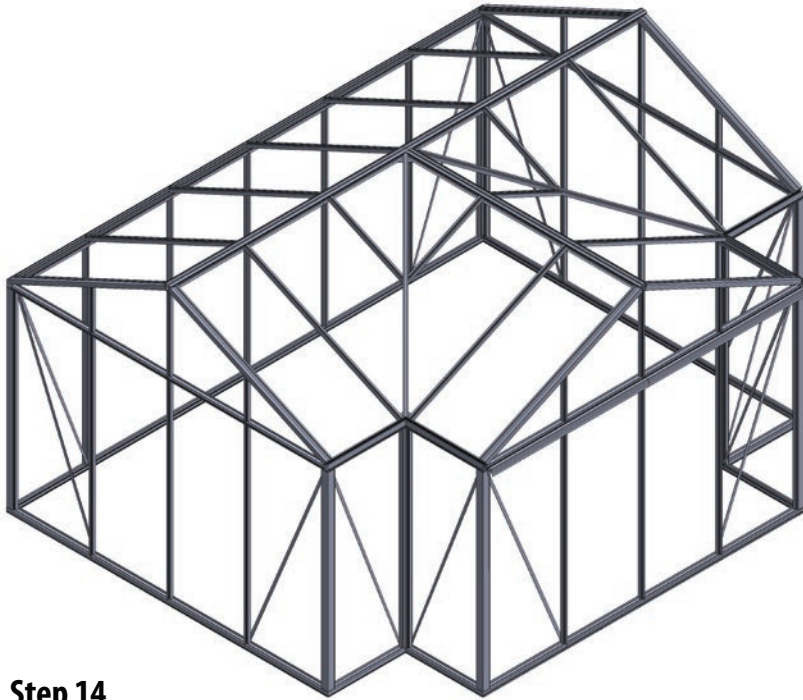
ME10 ← W=92.56"
ME2 ← W=122.01"



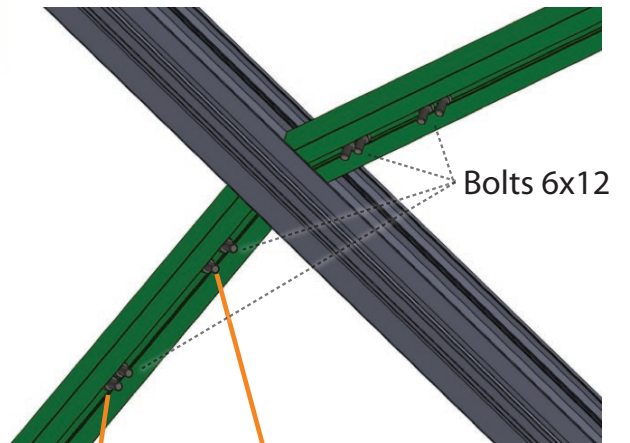




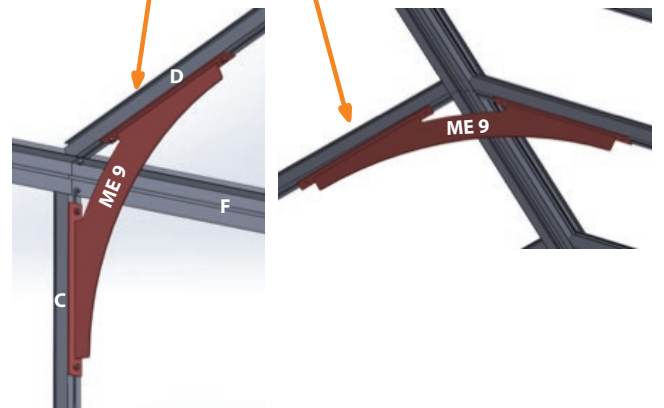




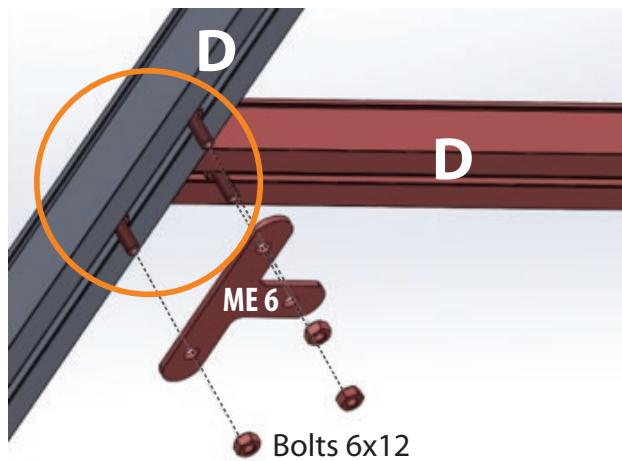
Step 14

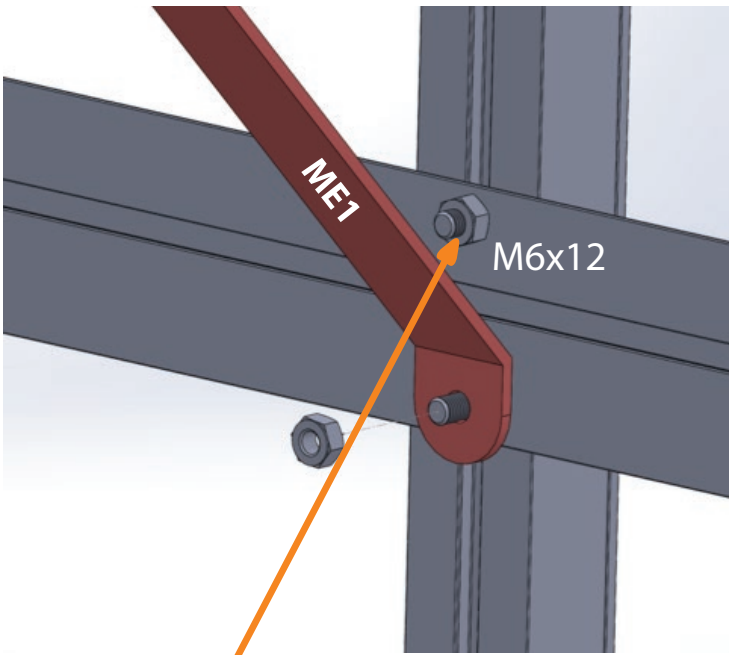


+2 x M6 x 12 for window

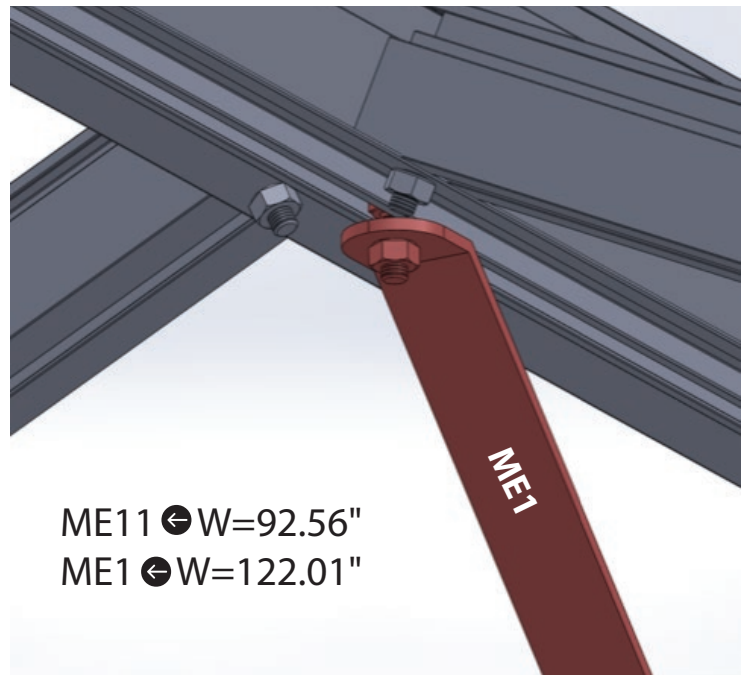


Step 12



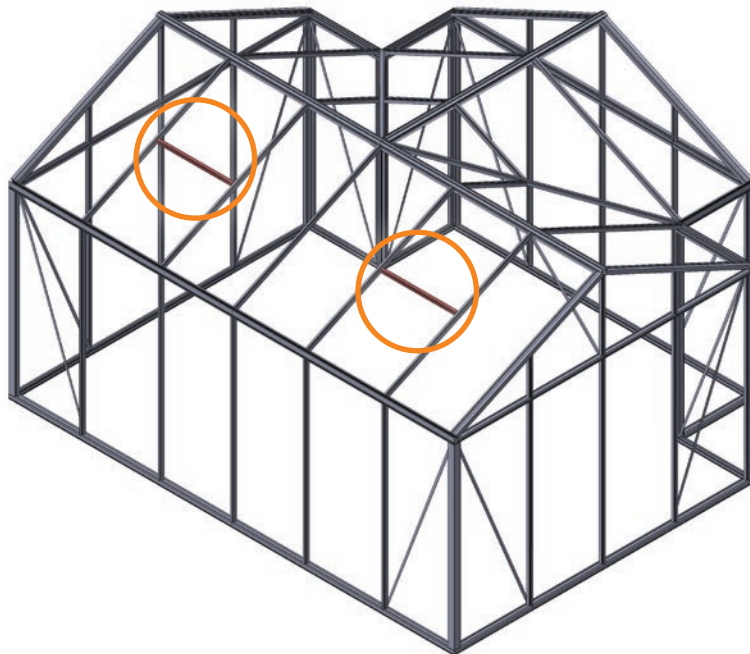
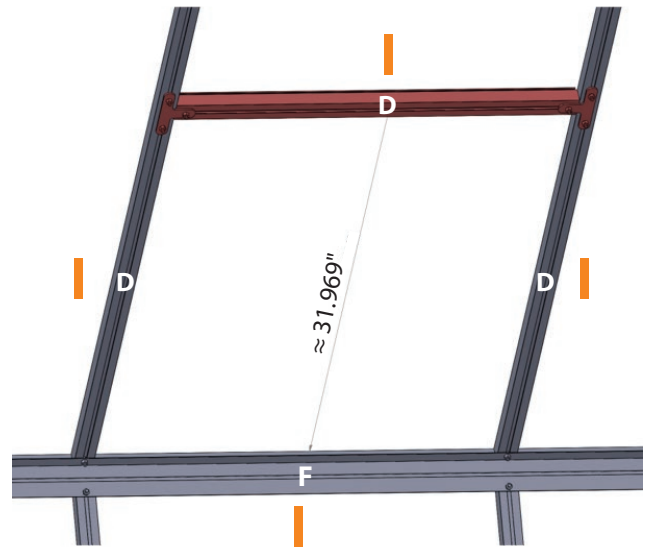
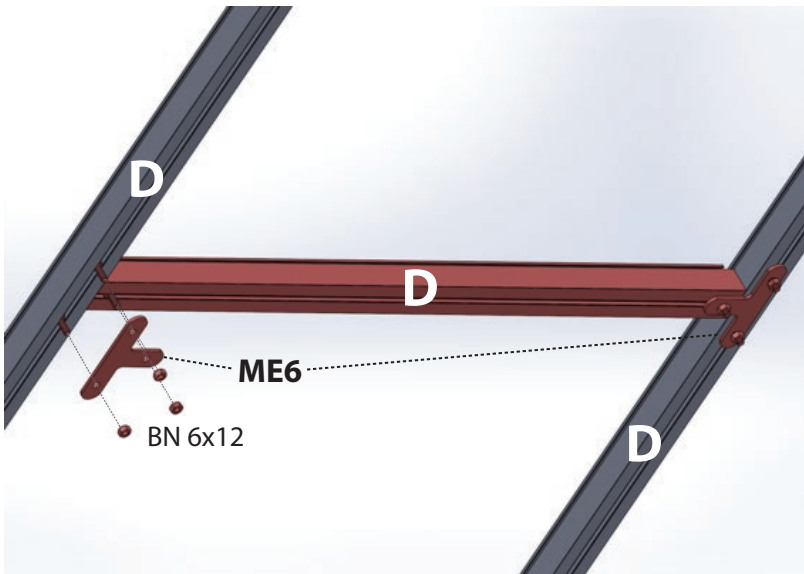
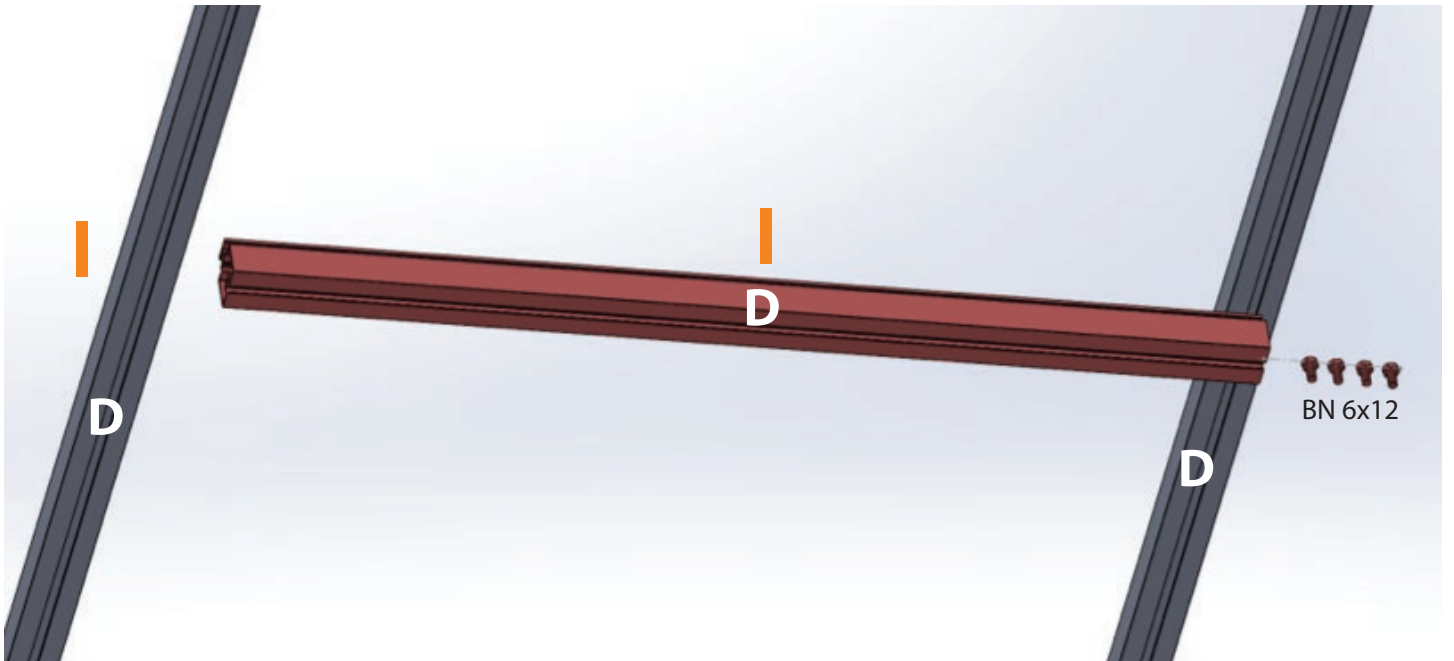


Attach ME11 here

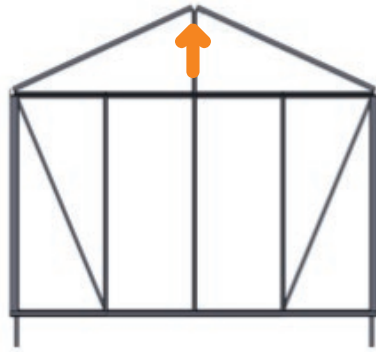


Not used for sizes L = 63 1/4"; 92 5/8"

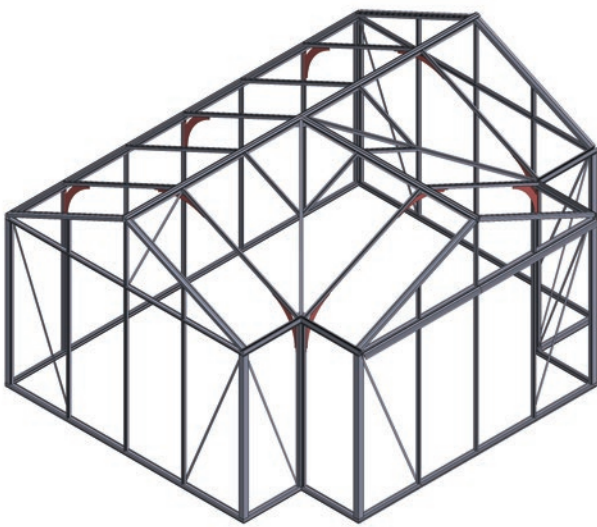




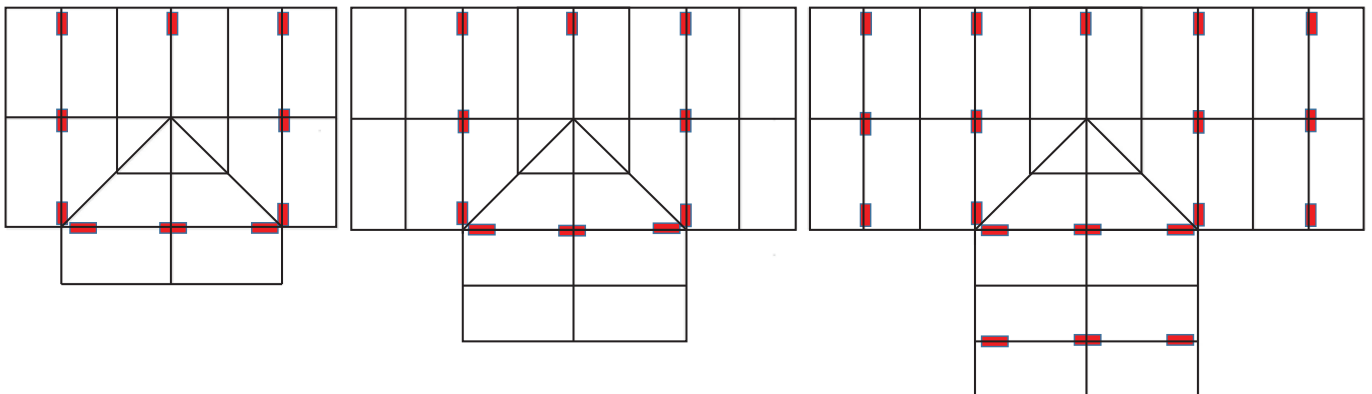
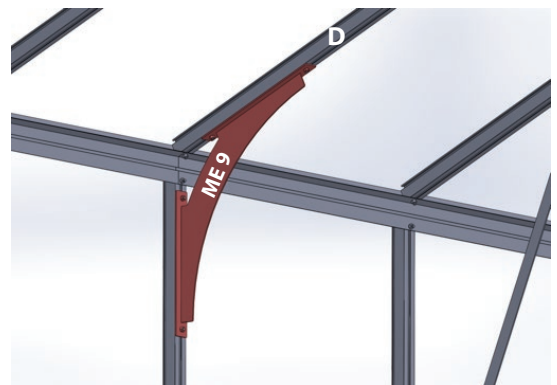
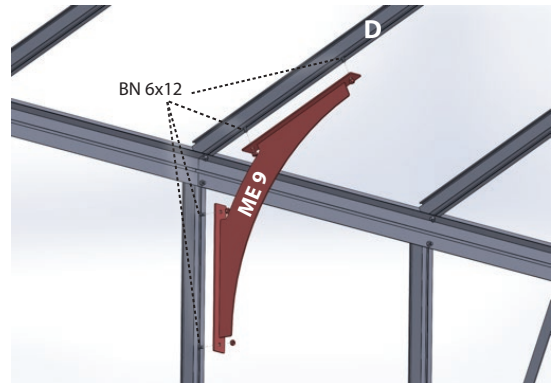
ME9 placement



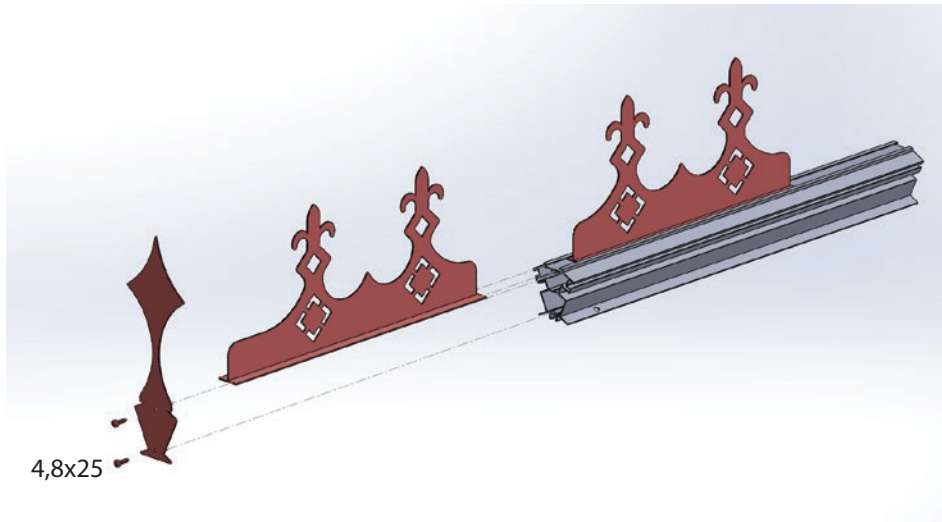
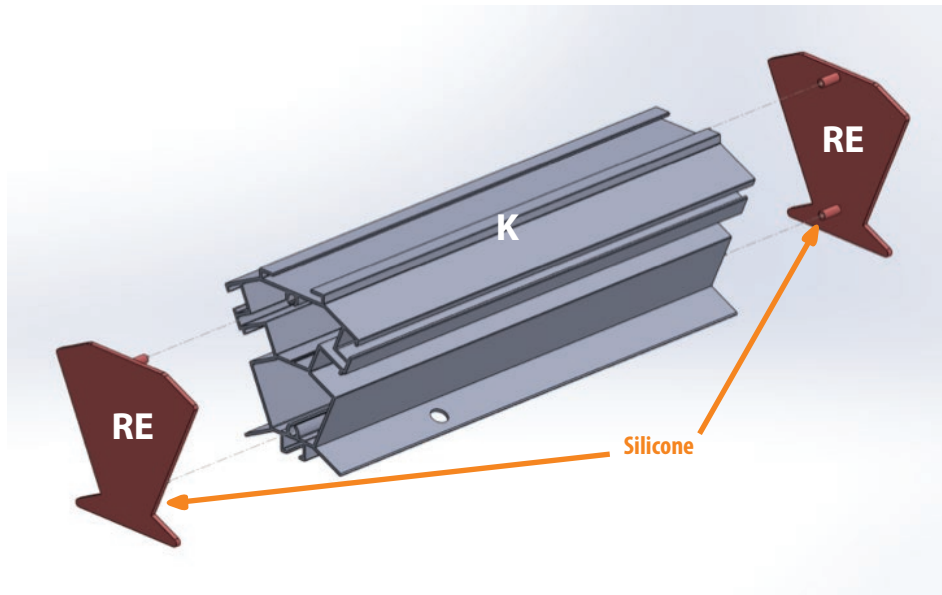
Push ridge from inside up by 5/8"
Fix the screws



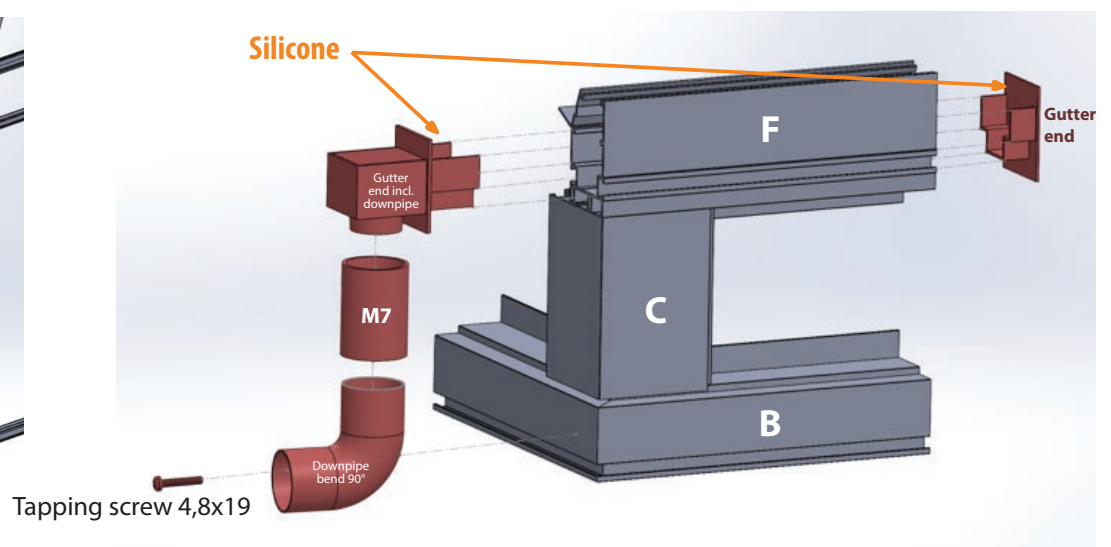
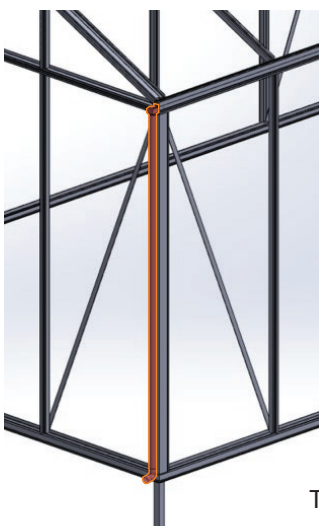
Not used for sizes L = 63 1/4"; 92 5/8"

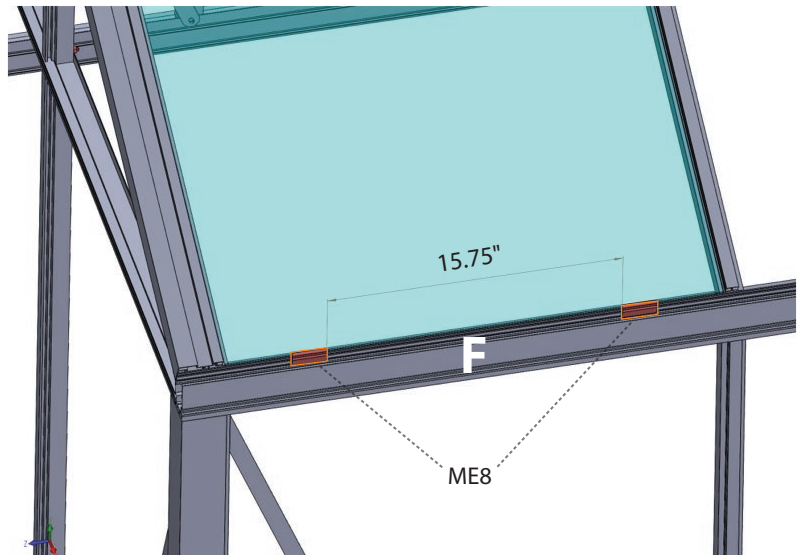
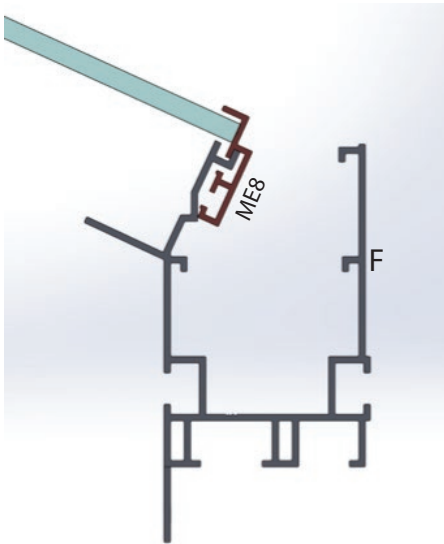
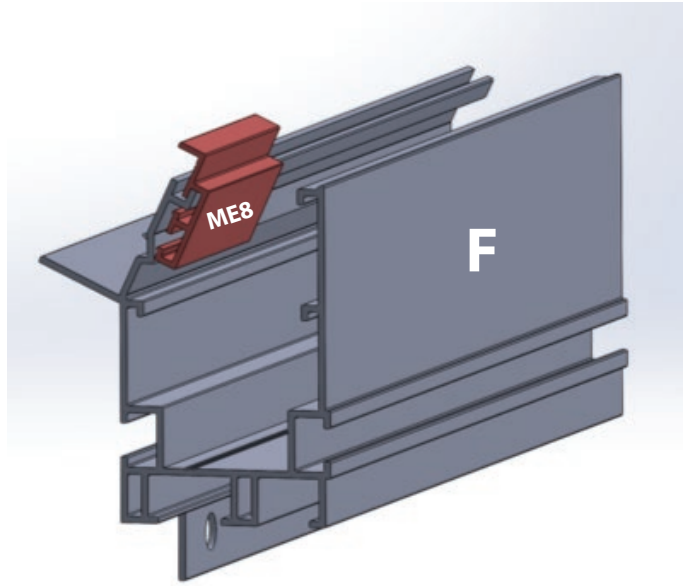
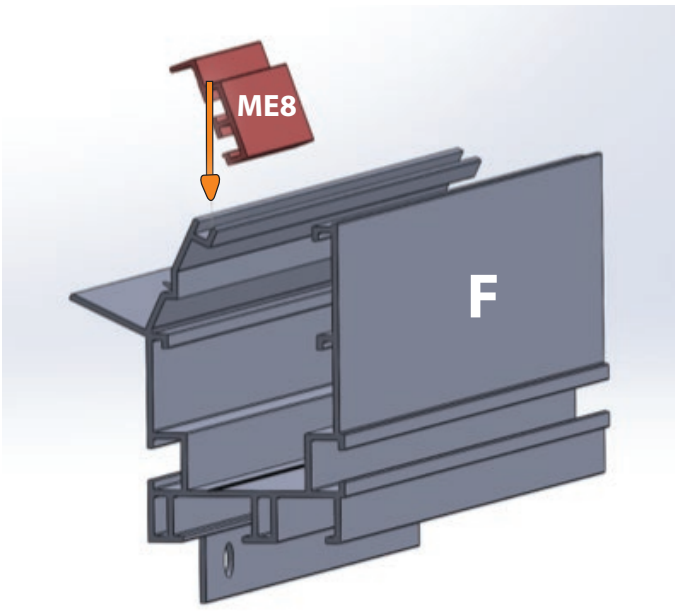


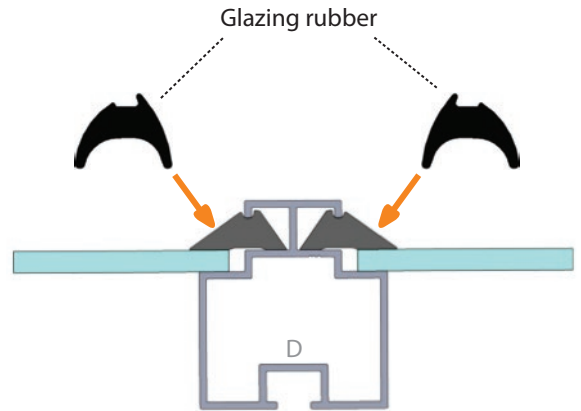
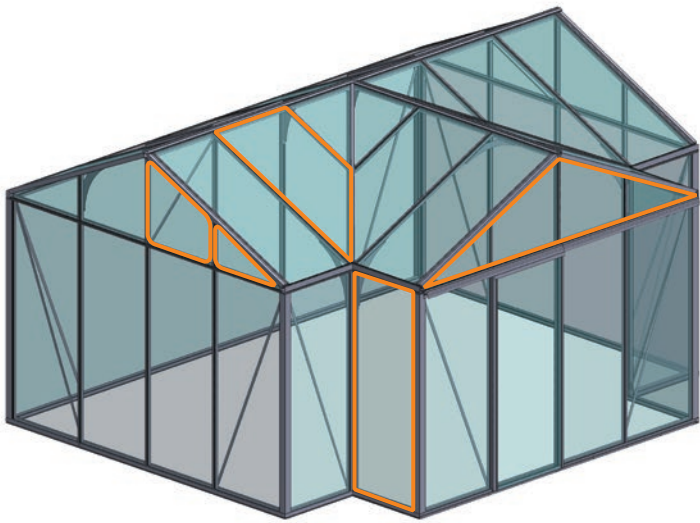
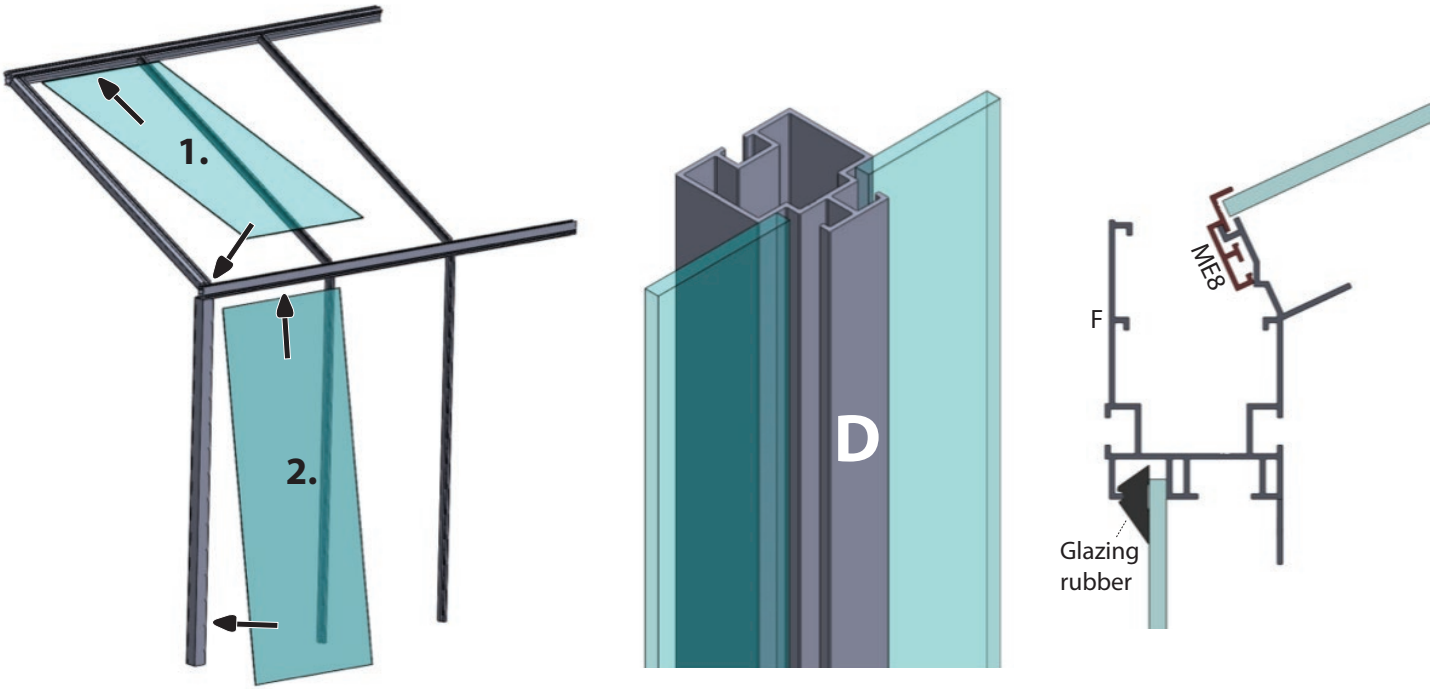
ME 9



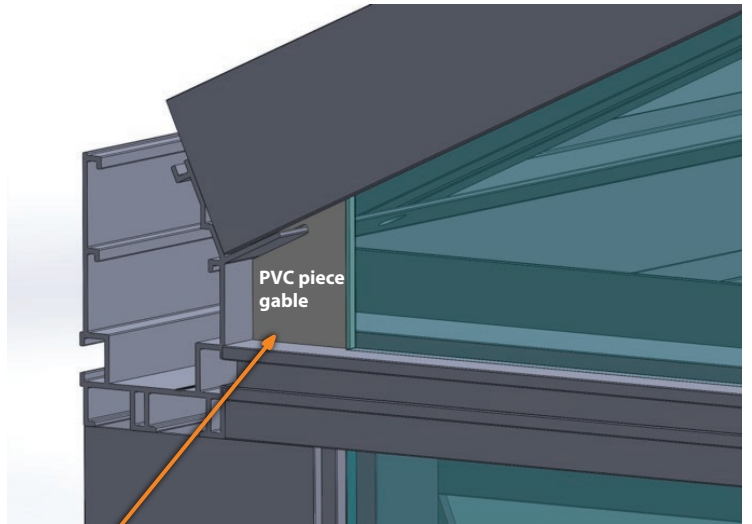
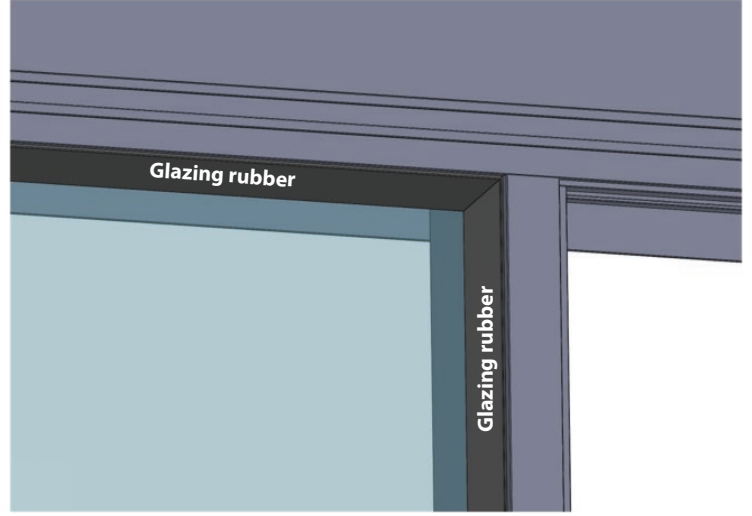
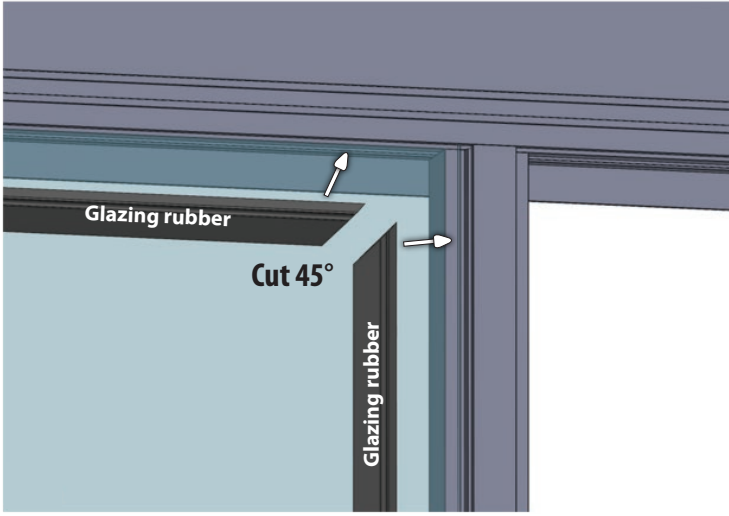
Install ridge decors before roof windows







Rubber placement



Silicone

19

Sliding doors

1.

Bolts, washer, nuts
10x20

Sliding roller

Bolts, washer, nuts
10x20

M8x12

2.



3.

Sliding roller

M7

M8

4.

M7

M8

5.

7.

6.

M8

L3

8.

A3

4,8x25

9.

Glazing
rubber

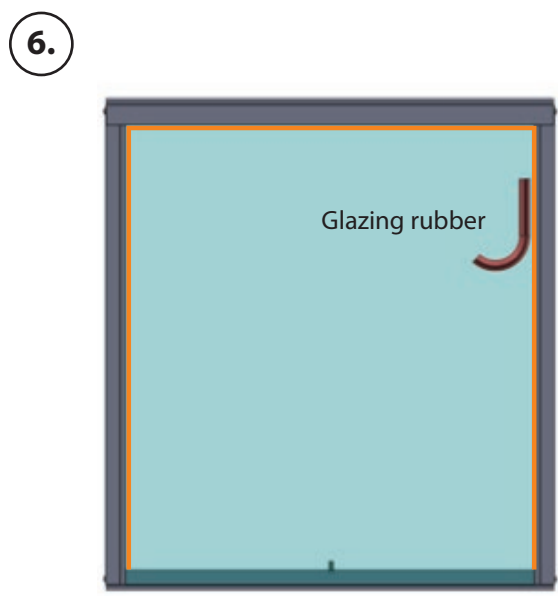
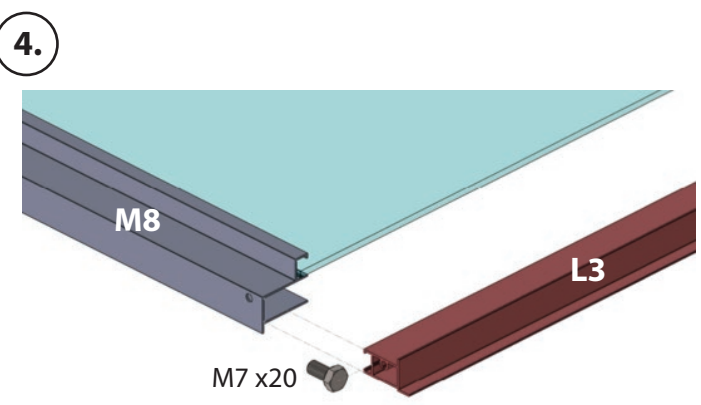
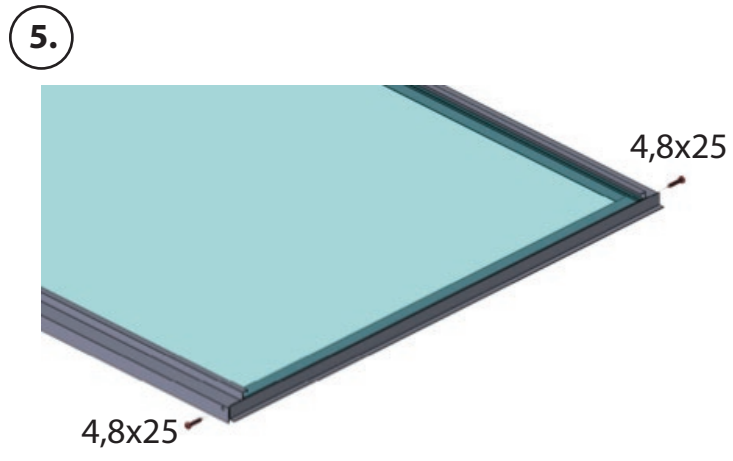
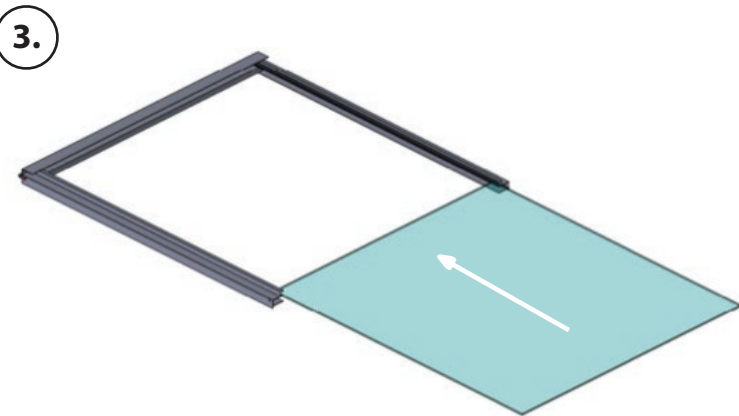
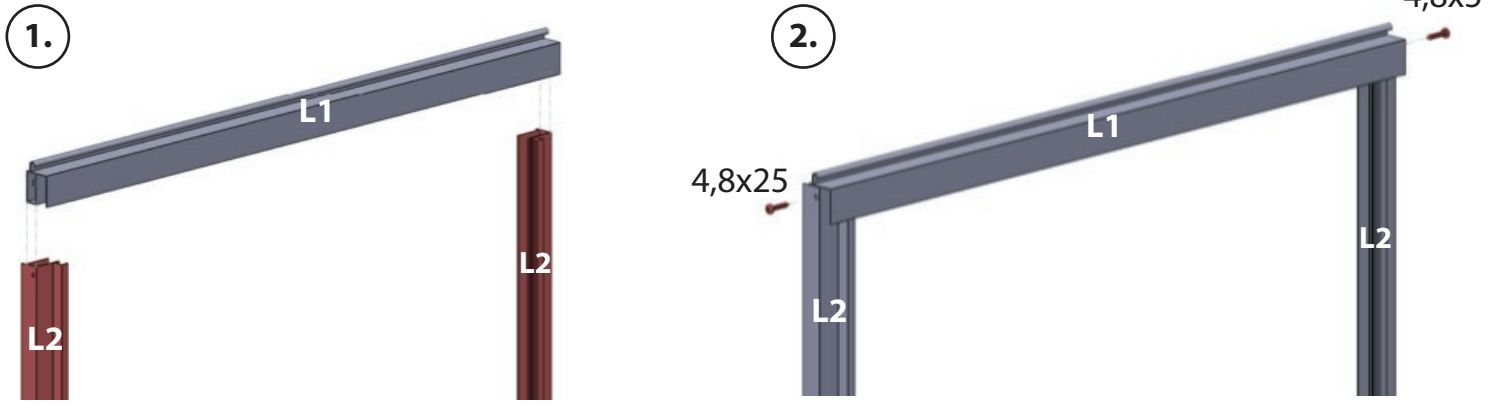
10.

Sliding roller

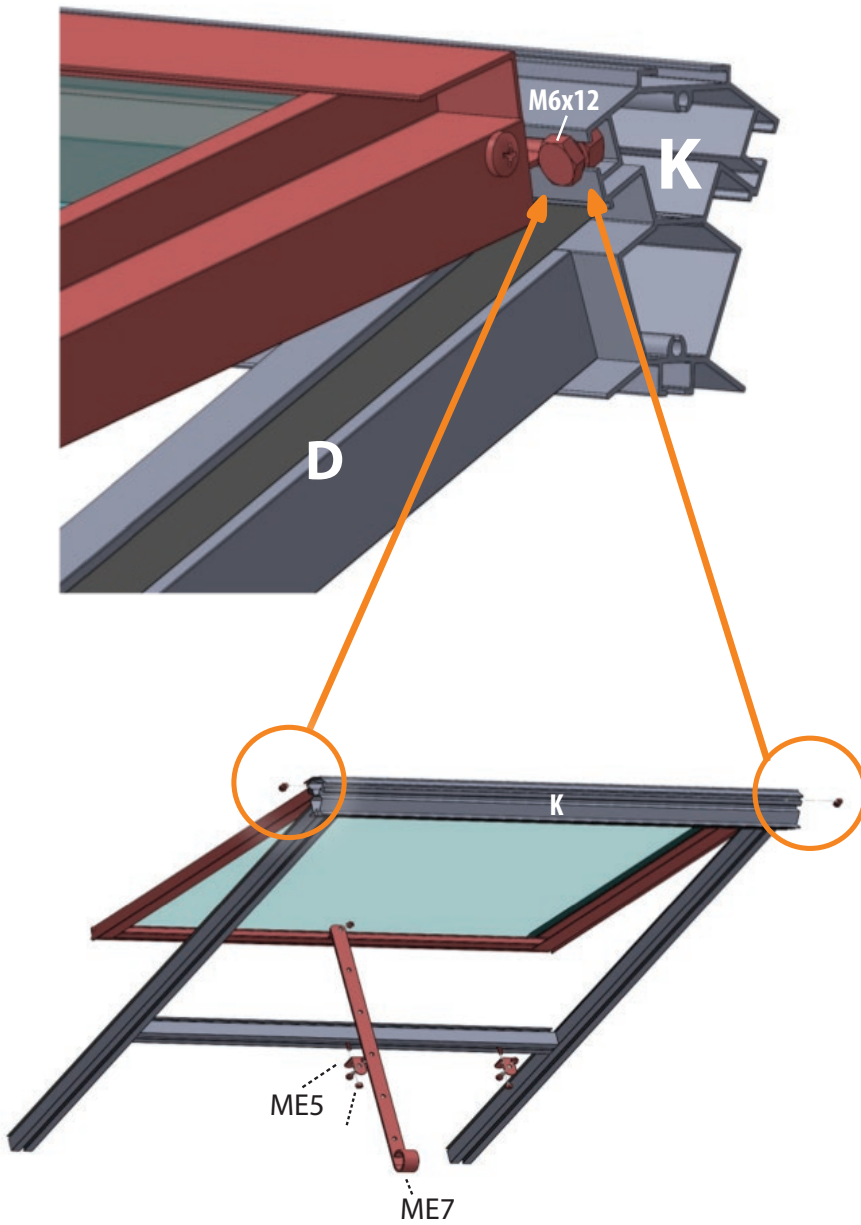
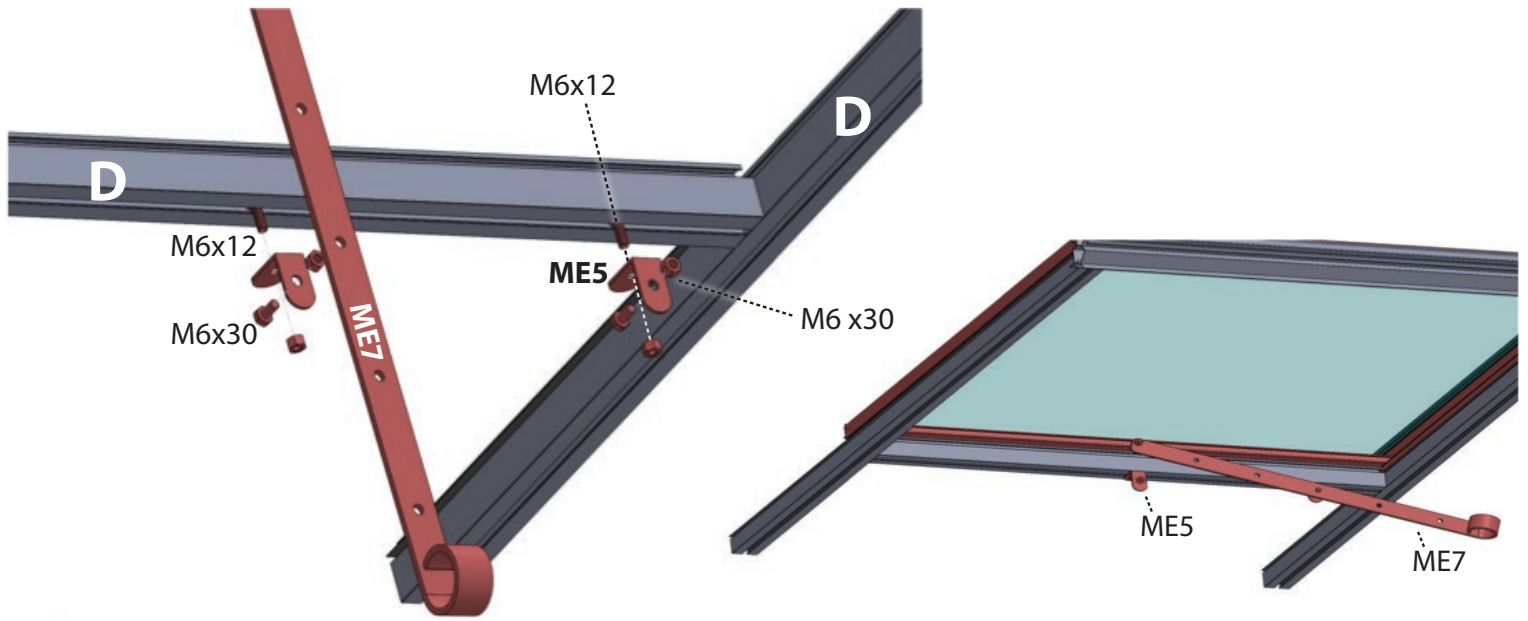
Brush strips

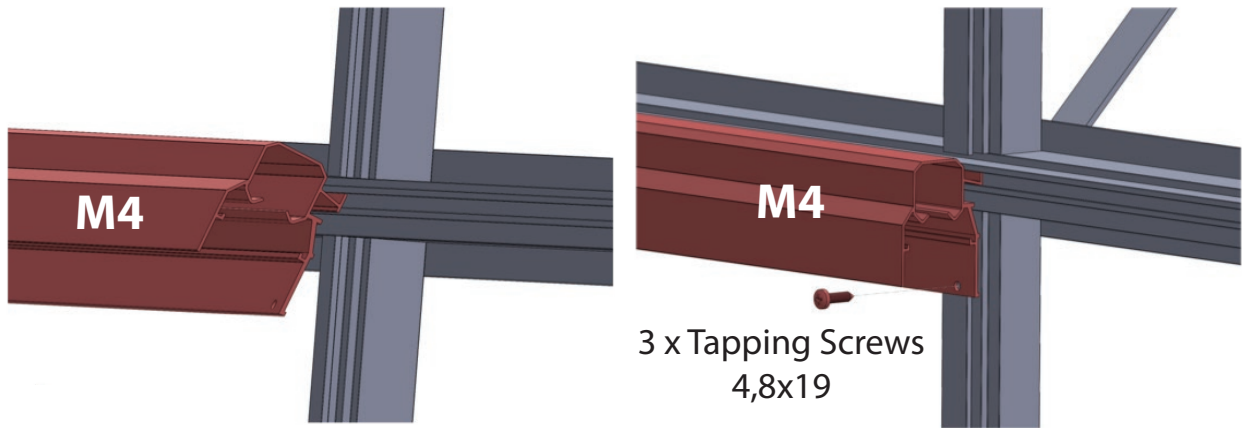
For doors larger than
30 11/16" x 71 5/8"

Roof window

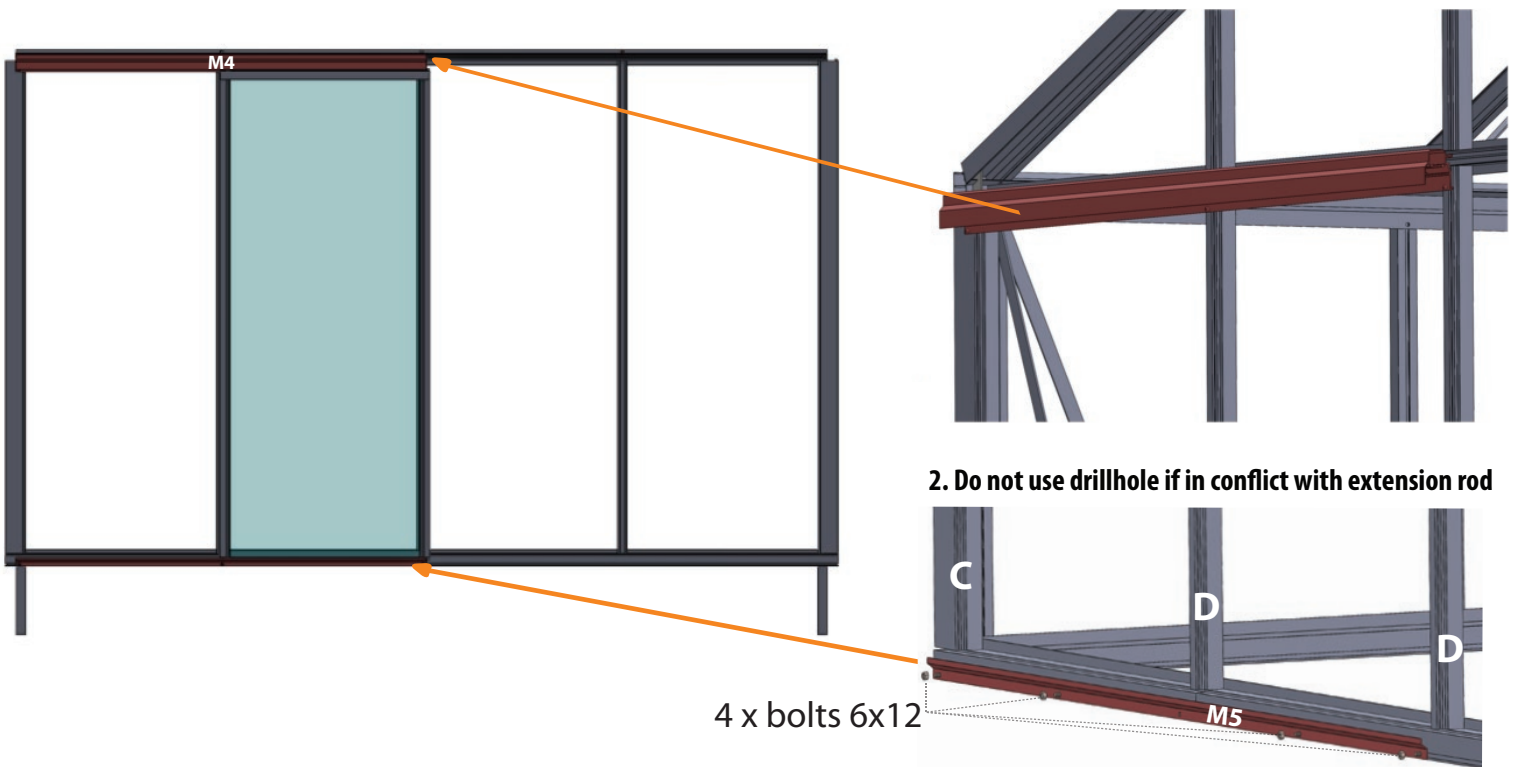
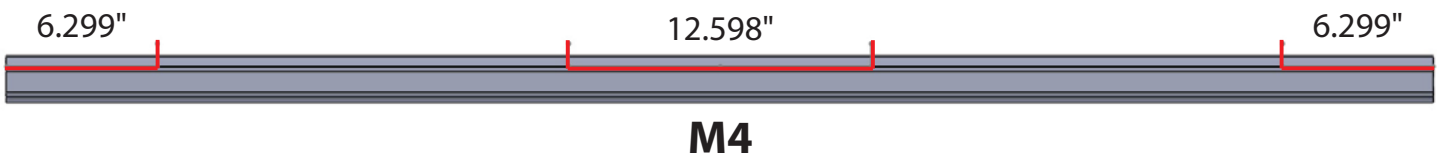


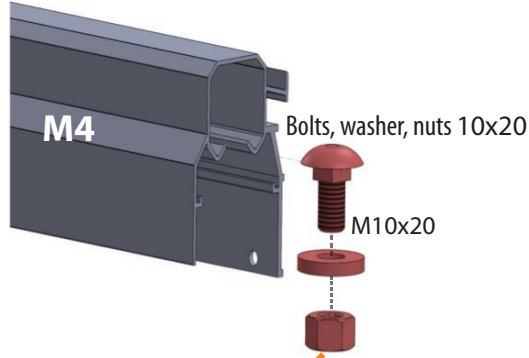
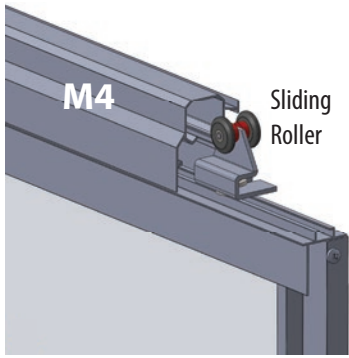
Screw for manual window opener



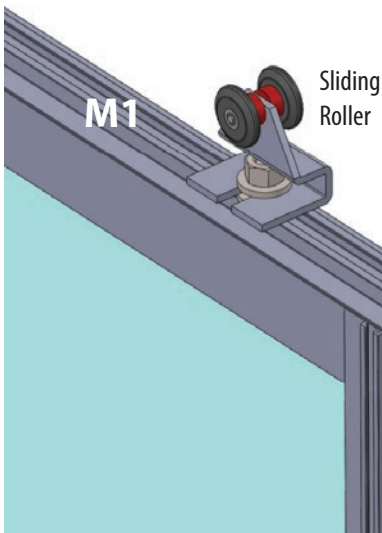
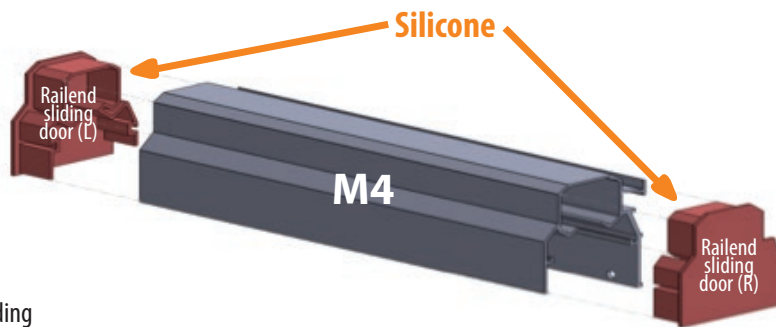
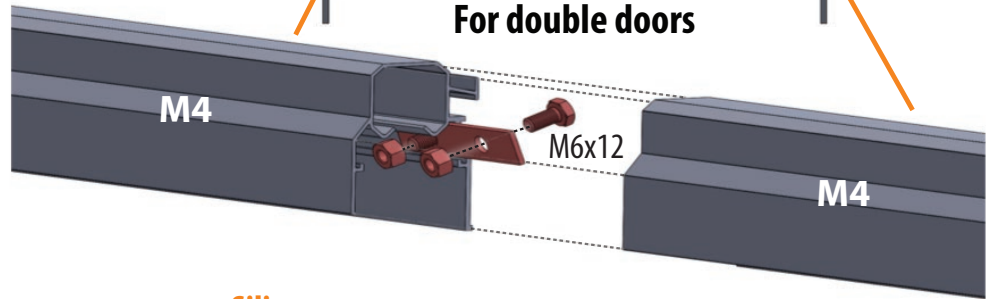
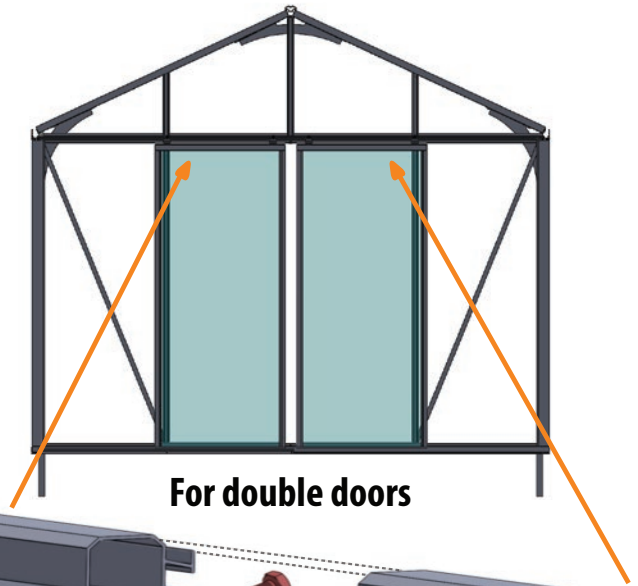
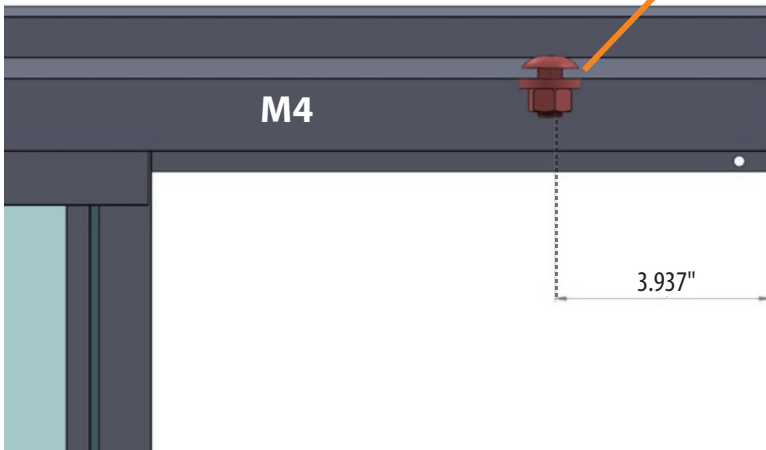


If in conflict with extension rod, cut out part here





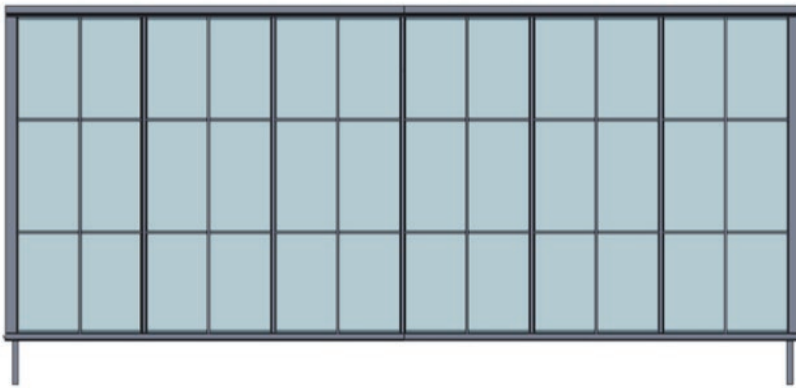
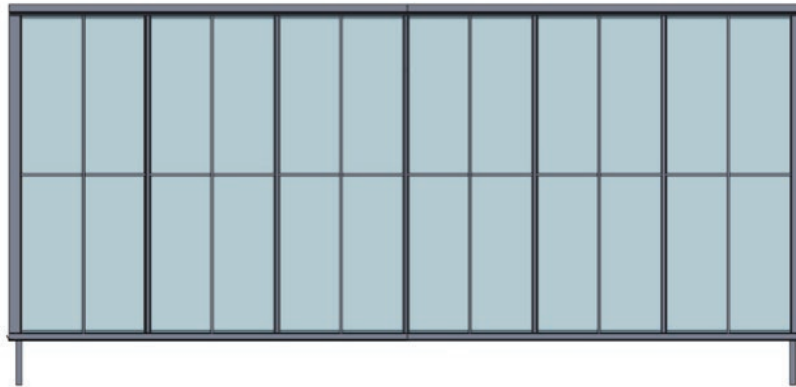
Insert doors into door profile and add stoppers



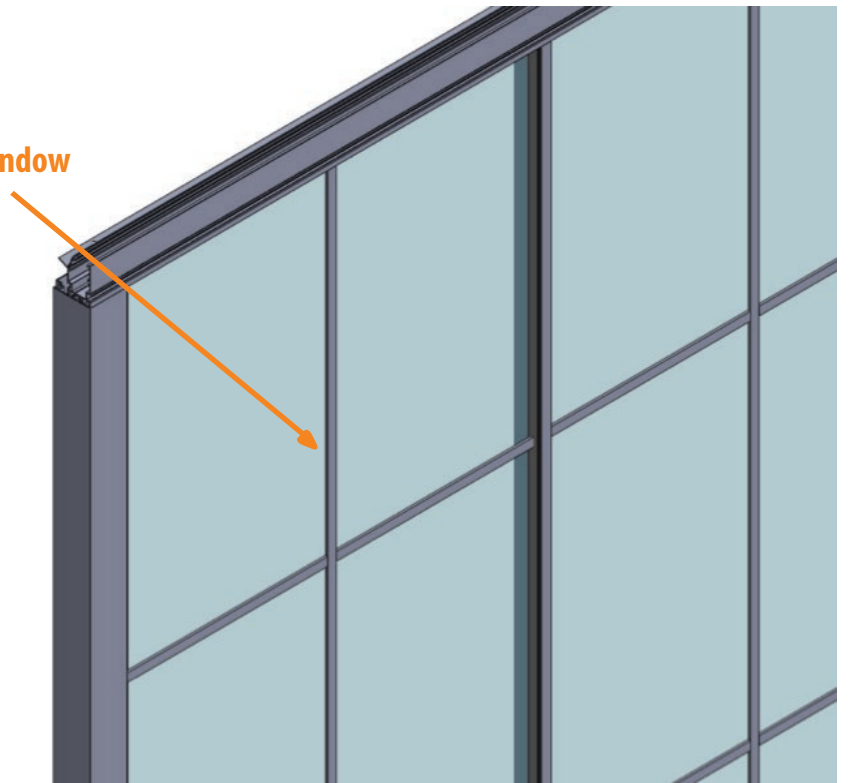
For double doors install 1 extra L profile

4 x Tapping screws 4,8x25

Window crossbars (optional)

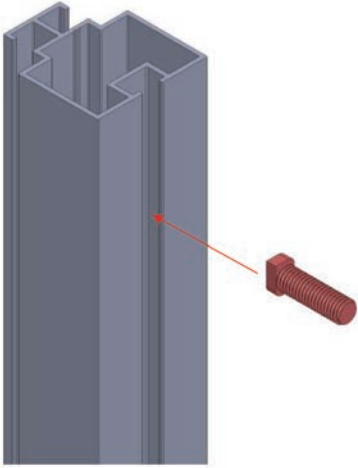


Glue to the window

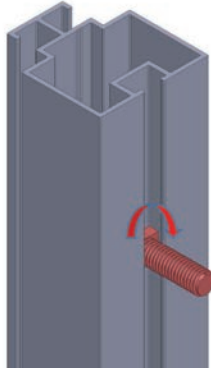


ACCESSORY MOUNTS

1. Insert the special screw into the profile



2. Turn it 90°



3. Attach the accessory and secure it with a nut

